

US00D512166S

(12) **United States Design Patent**
Lott et al.

(10) **Patent No.:** **US D512,166 S**
(45) **Date of Patent:** **** Nov. 29, 2005**

(54) **MINIATURE FLUORESCENT LIGHTING ASSEMBLY**

D462,464 S * 9/2002 Yeh D26/3
D498,313 S * 11/2004 Kuo D26/3

(76) Inventors: **Madison J. Lott**, 1124 Ponderosa Dr.,
Petaluma, CA (US) 94954; **Sunny Yang**
Guang Cai, No. 1, Pingshan Ind. P.,
Musshan, Guangzhou (CN)

* cited by examiner

Primary Examiner—Marcus A. Jackson
(74) *Attorney, Agent, or Firm*—Turning Point Law, Inc.

(**) Term: **14 Years**

(57) **CLAIM**

The ornamental design for a miniature fluorescent lighting assembly, as shown and described.

(21) Appl. No.: **29/213,976**

(22) Filed: **Sep. 27, 2004**

DESCRIPTION

(51) **LOC (8) Cl.** **26-04**
(52) **U.S. Cl.** **D26/3**
(58) **Field of Search** D26/1-4; 313/313,
313/315, 317, 318, 493, 497; 315/52, 56,
57, 58, 73

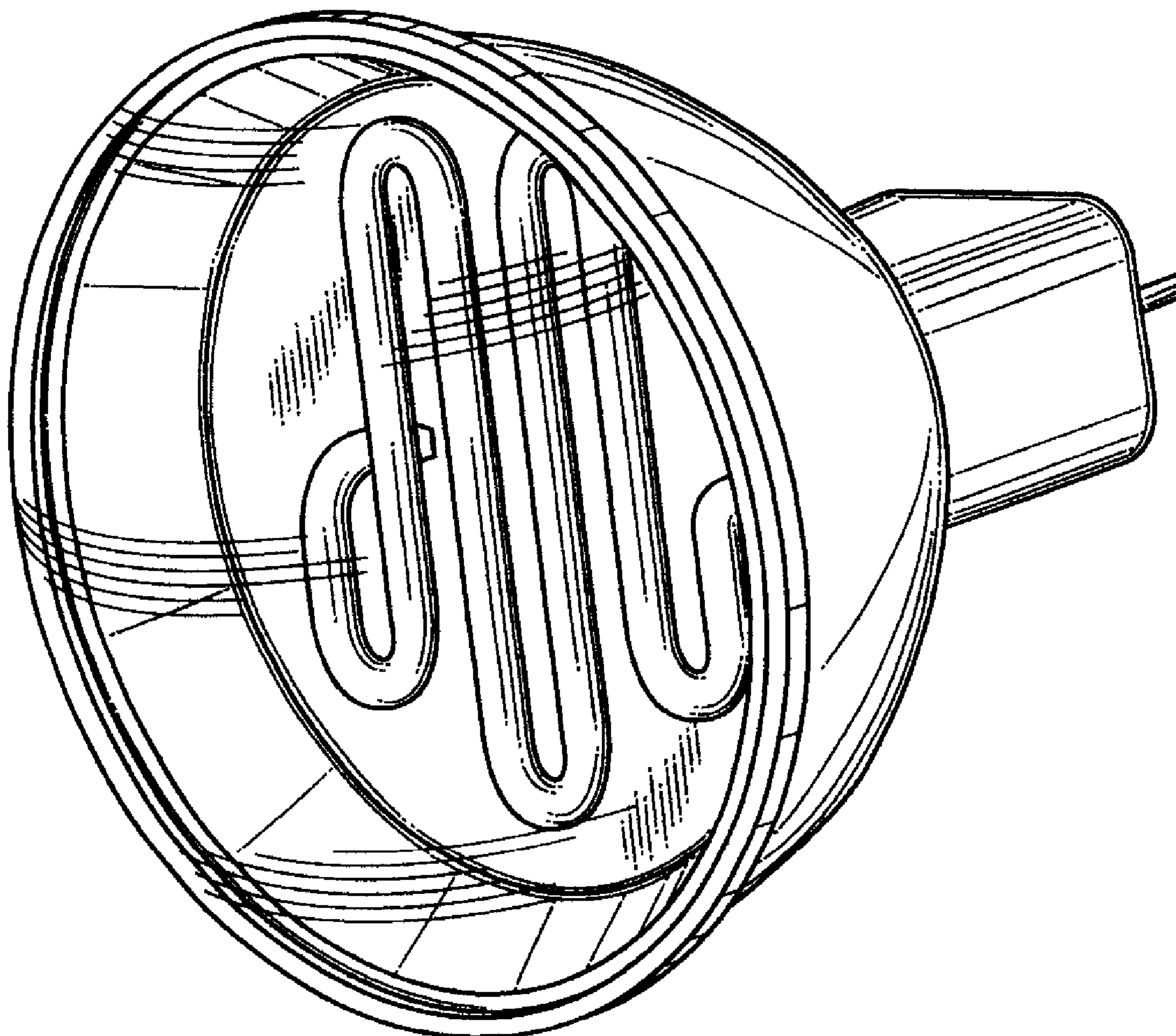
FIG. 1 is a perspective view of a miniature fluorescent lighting assembly showing my new design; FIG. 2 is a front elevational view thereof; FIG. 3 is a rear elevational view thereof; FIG. 4 is a top plan view thereof, the bottom plan view being a mirror image; and, FIG. 5 is a right side elevational view thereof, the left side elevational view being a mirror image.

(56) **References Cited**

U.S. PATENT DOCUMENTS

D407,833 S * 4/1999 Foo D26/3

1 Claim, 3 Drawing Sheets



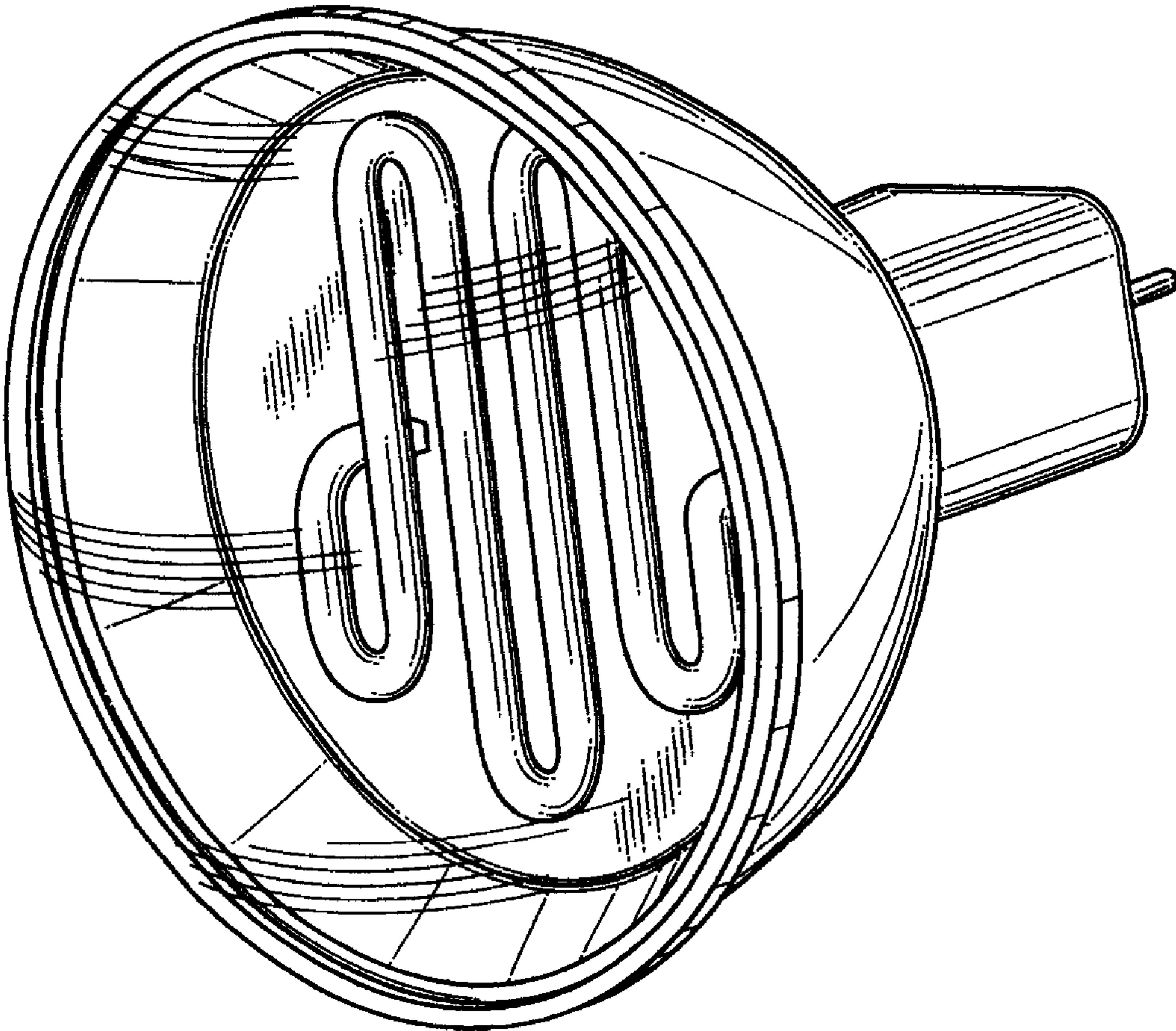


Fig. 1

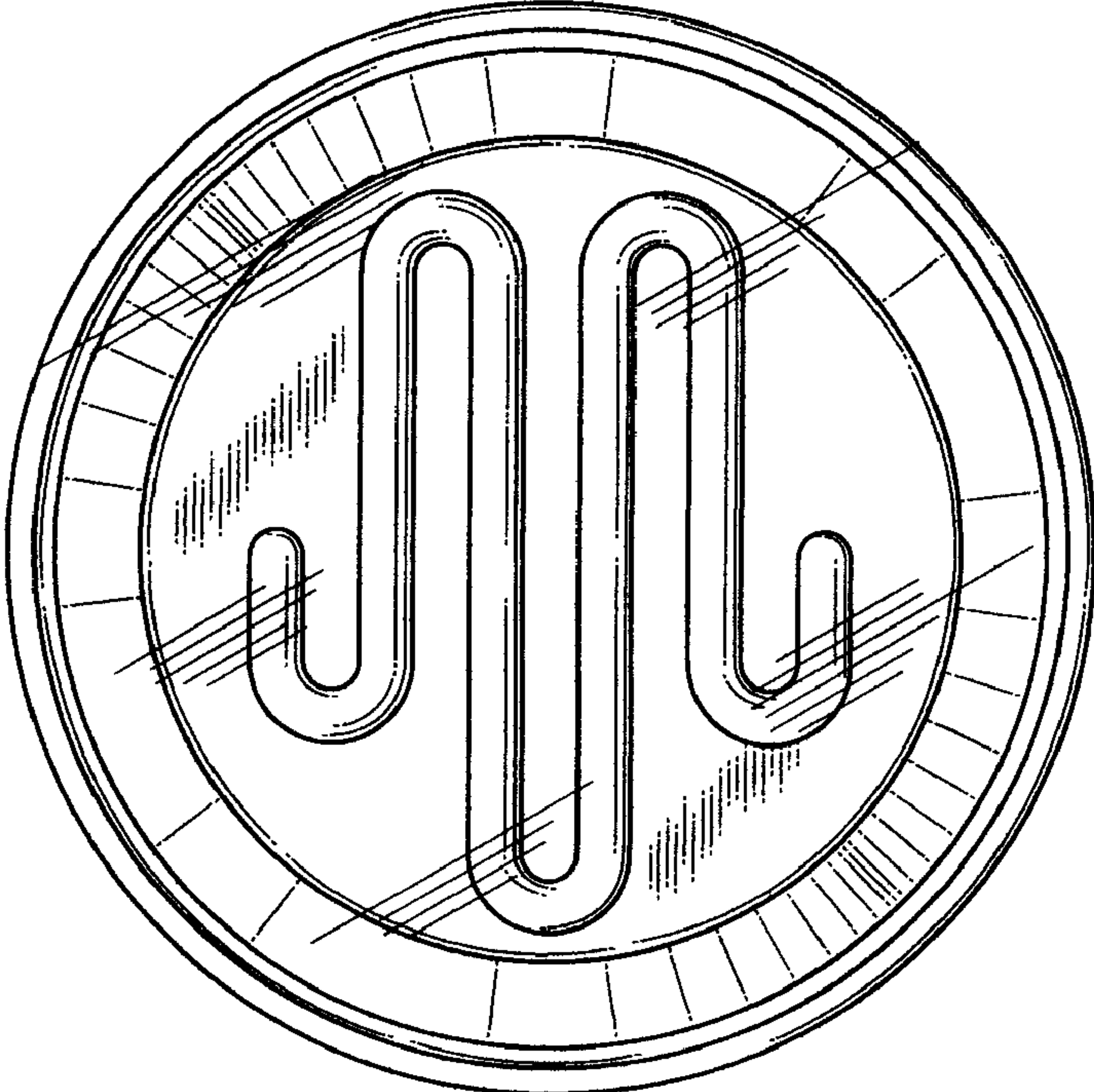


Fig. 2

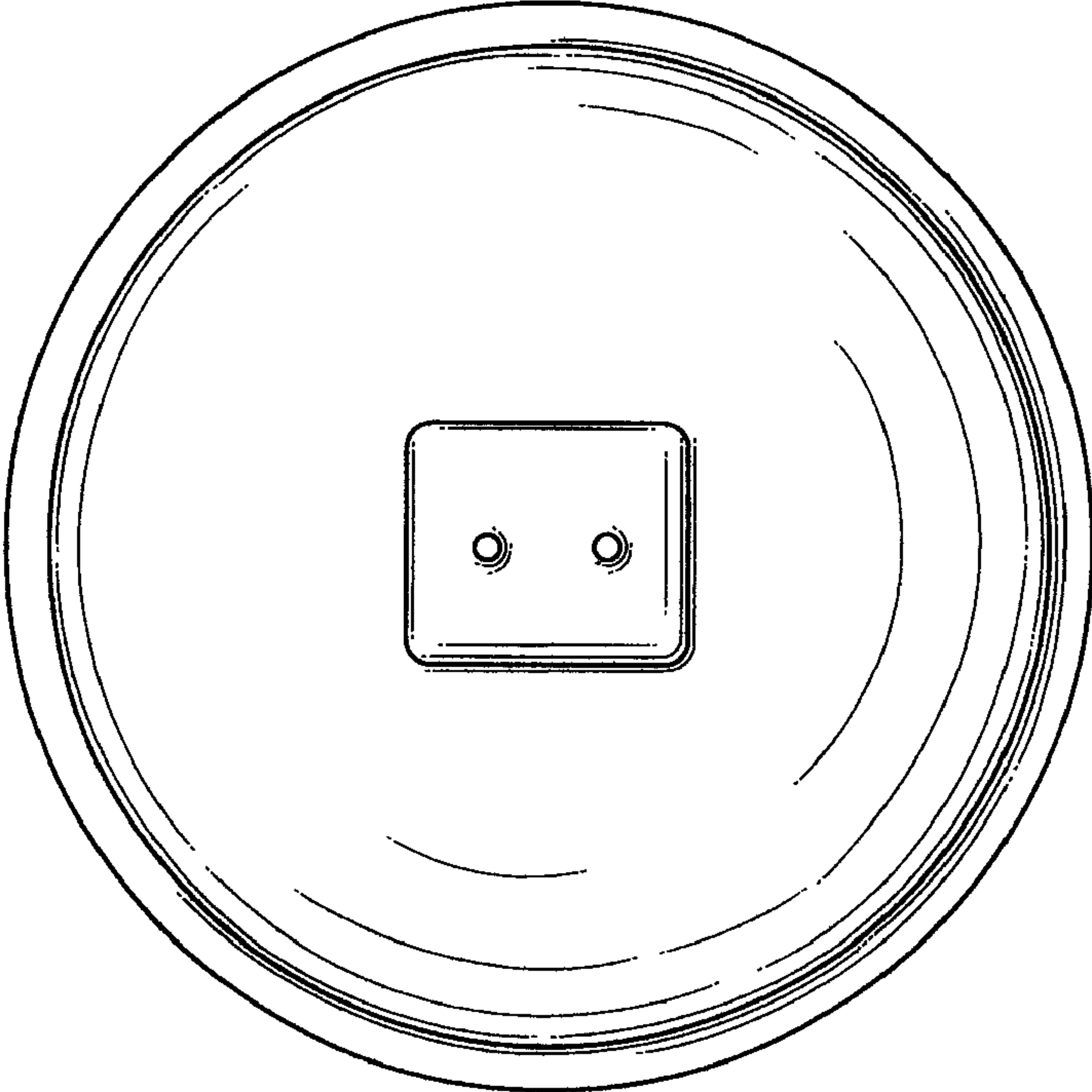


Fig. 3

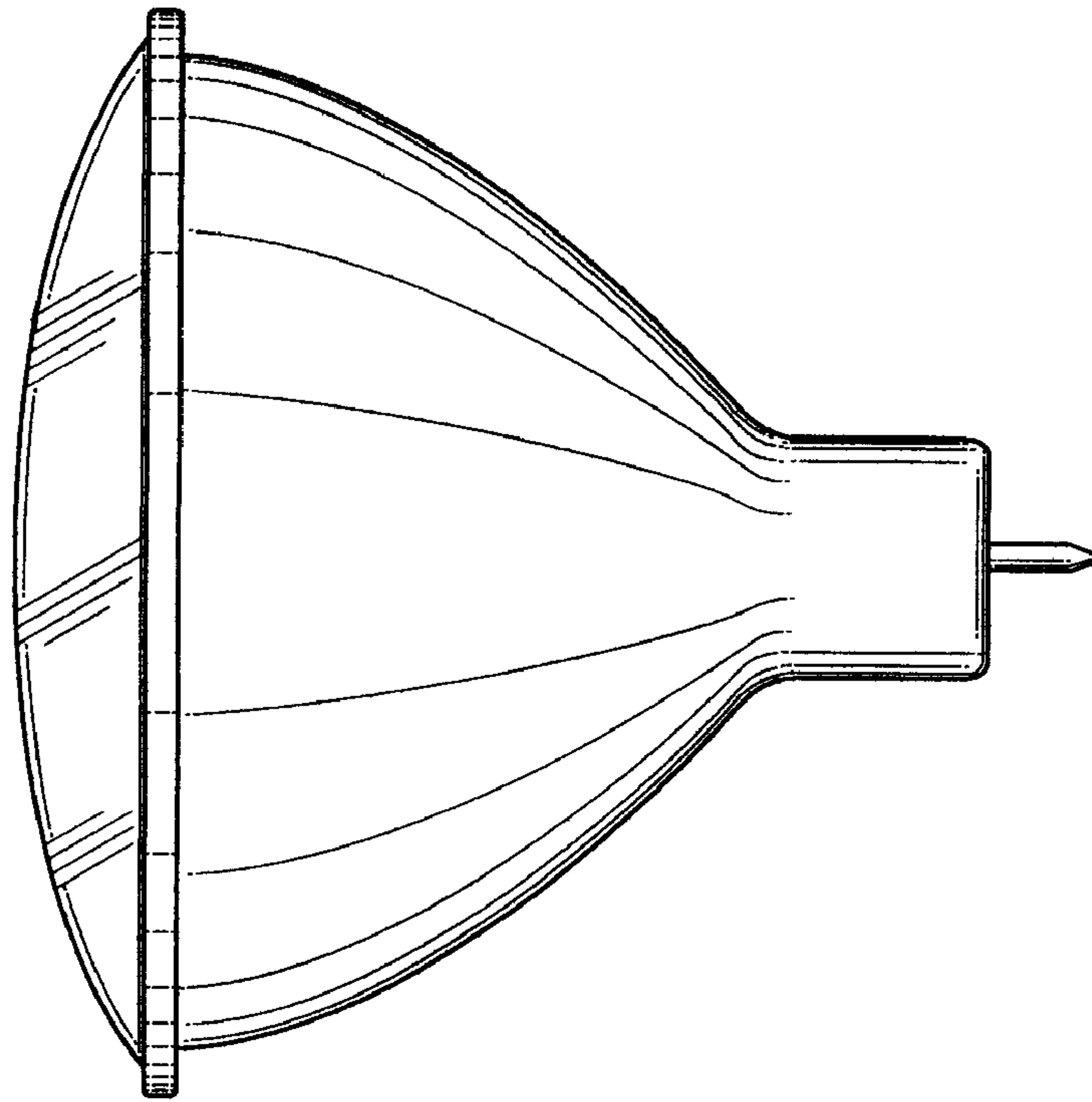


Fig. 4

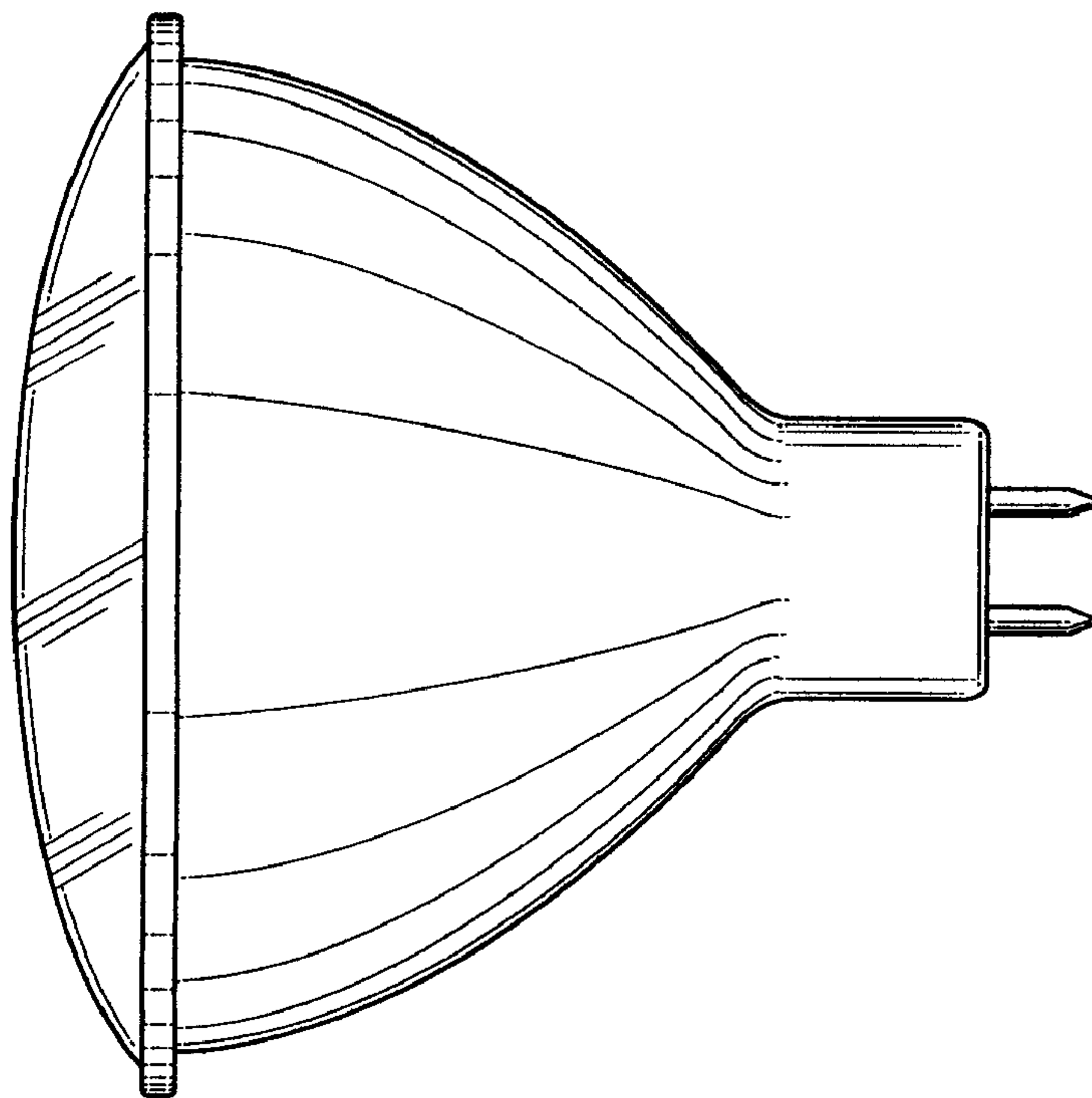


Fig. 5