



US00D512164S

(12) **United States Design Patent**
Schrader

(10) **Patent No.:** **US D512,164 S**

(45) **Date of Patent:** **** Nov. 29, 2005**

(54) **WINDOW COMPONENT EXTRUSION**

(75) **Inventor:** **Robert A. Schrader**, Puyallup, WA
(US)

(73) **Assignee:** **Mikron Industries, Inc.**, Kent, WA
(US)

(**) **Term:** **14 Years**

(21) **Appl. No.:** **29/212,755**

(22) **Filed:** **Sep. 8, 2004**

(51) **LOC (8) Cl.** **25-01**

(52) **U.S. Cl.** **D25/119**

(58) **Field of Search** D25/124, 119,
D25/125; 52/204.1; 49/DIG. 2, 504

(56) **References Cited**

U.S. PATENT DOCUMENTS

3,662,494 A	*	5/1972	Sitterly	49/504
4,578,905 A	*	4/1986	Hout	49/504
D469,884 S	*	2/2003	Franson	D25/119

OTHER PUBLICATIONS

Mikron Part No. 8383; First Drawn: Jan. 18, 2001, First Sold: Nov. 30, 2001.

Mikron Part No. 8673; First Drawn: Jul. 9, 2002, First Sold: Apr. 17, 2003.

* cited by examiner

Primary Examiner—Doris Clark

(74) *Attorney, Agent, or Firm*—Black Lowe & Graham PLLC

(57) **CLAIM**

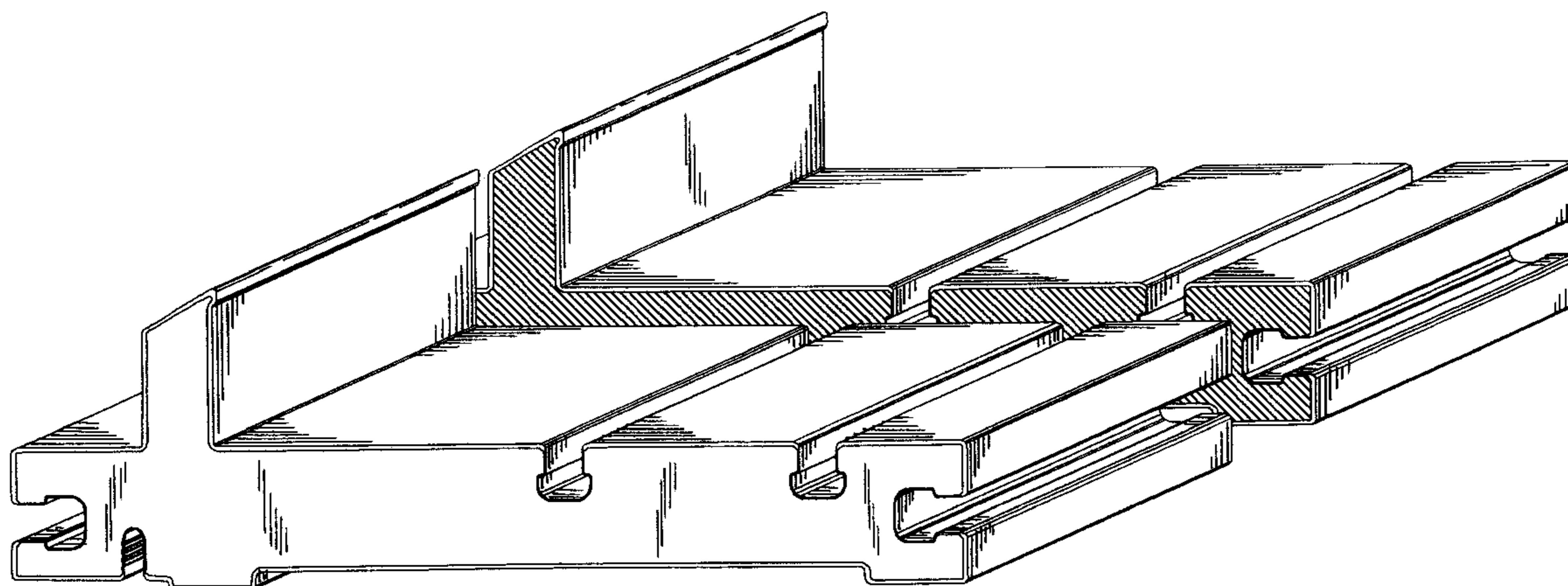
The ornamental design for a window component extrusion, as shown and described.

DESCRIPTION

FIG. 1 is a top right perspective view of the window component extrusion which is broken in the center indicating indefinite length; and,

FIG. 2 is a bottom left perspective view of the window component extrusion shown in FIG. 1.

1 Claim, 2 Drawing Sheets



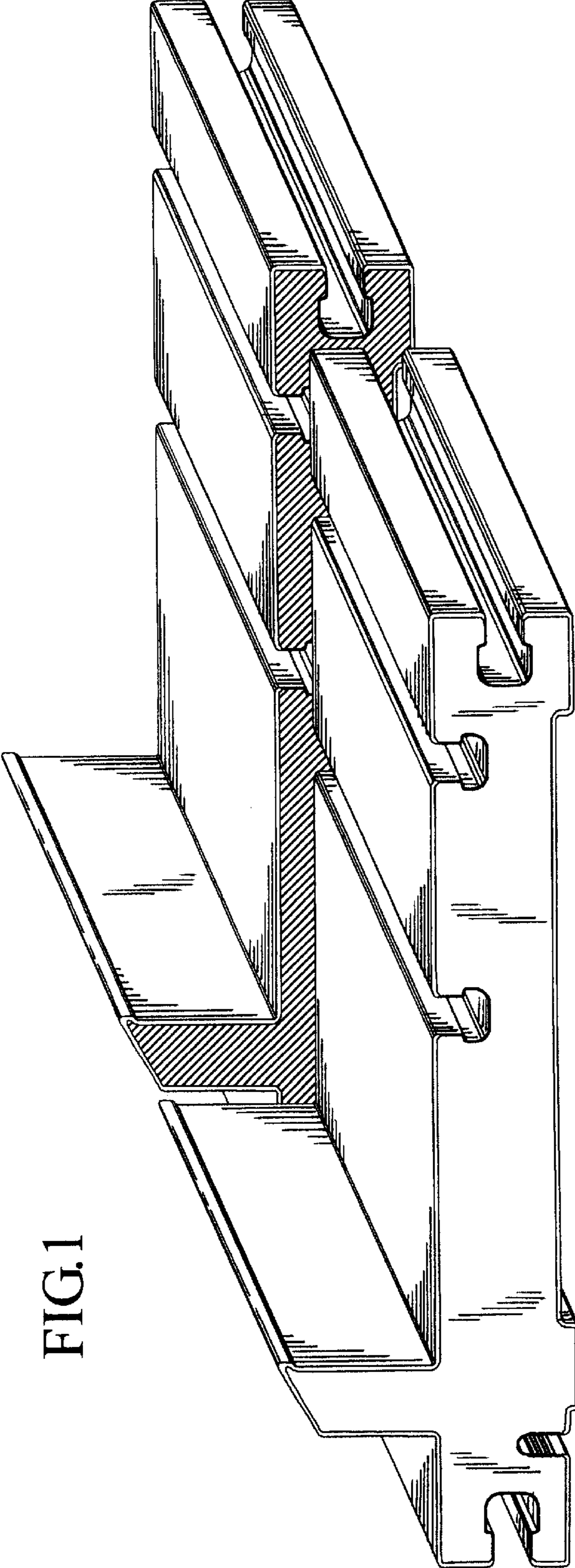


FIG.1

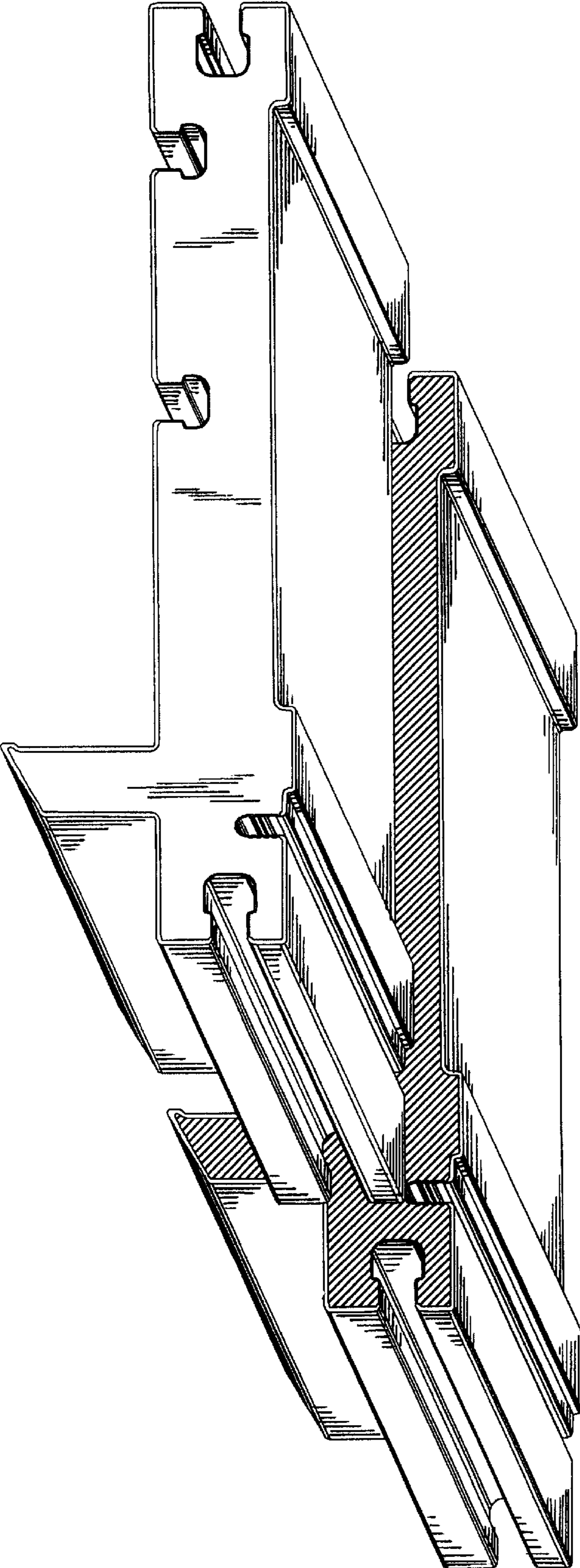


FIG.2