



US00D512162S

(12) **United States Design Patent**
Risi

(10) **Patent No.:** **US D512,162 S**
(45) **Date of Patent:** **** Nov. 29, 2005**

(54) **WALL RETAINING BLOCK**

D451,207 S * 11/2001 Risi D25/113

(75) Inventor: **Angelo Risi**, Richmond Hill (CA)

FOREIGN PATENT DOCUMENTS

(73) Assignee: **Jagna Ltd.**, Thornhill (CA)

GB 1386088 * 12/1972

(**) Term: **14 Years**

* cited by examiner

(21) Appl. No.: **29/206,059**

Primary Examiner—Robert A. Delehanty

(22) Filed: **May 26, 2004**

(74) *Attorney, Agent, or Firm*—Robic

(51) **LOC (8) Cl.** **25-01**

(57) **CLAIM**

(52) **U.S. Cl.** **D25/113**

The ornamental design for a wall retaining block, as shown and described.

(58) **Field of Search** D25/112–118,
D25/164, 151; D21/483–486, 499–505;
405/15–16, 284, 286; 404/34, 37–42, 44–45;
52/102, 503–505, 596–609, 612

DESCRIPTION

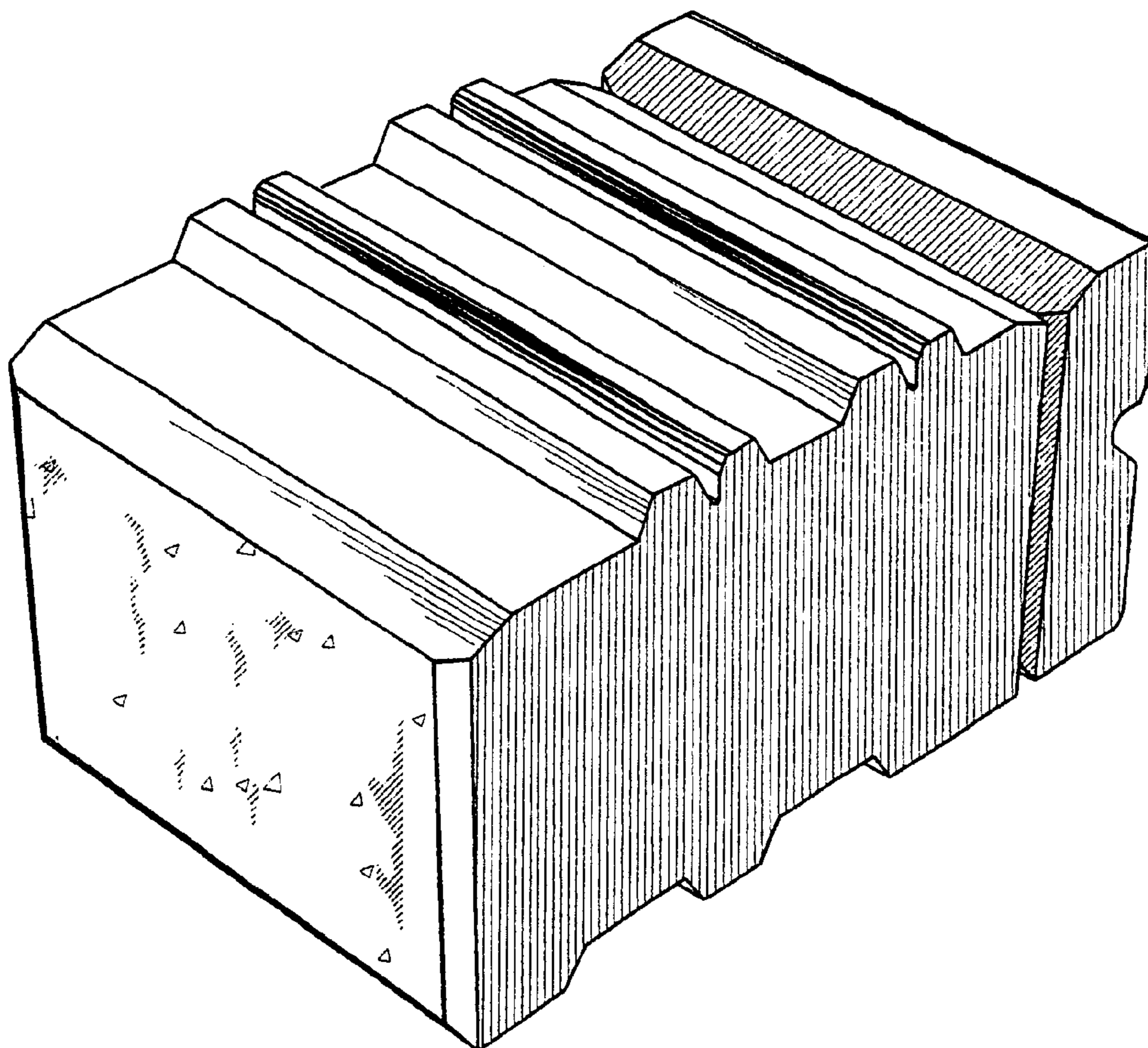
(56) **References Cited**

U.S. PATENT DOCUMENTS

4,490,075 A * 12/1984 Risi et al. 405/286
4,641,470 A * 2/1987 Baumberger D25/114
5,622,456 A * 4/1997 Risi et al. 405/284
D403,437 S 12/1998 Risi et al.
6,178,715 B1 * 1/2001 Pacitto et al. 52/604

FIG. 1 is a front perspective view of the wall retaining block, showing my new design;
FIG. 2 is a front elevational view thereof;
FIG. 3 is a top plan view thereof;
FIG. 4 is a side elevational view thereof, the other side being a mirror copy of this view;
FIG. 5 is a rear side elevational view thereof; and,
FIG. 6 is a bottom plan view thereof.

1 Claim, 3 Drawing Sheets



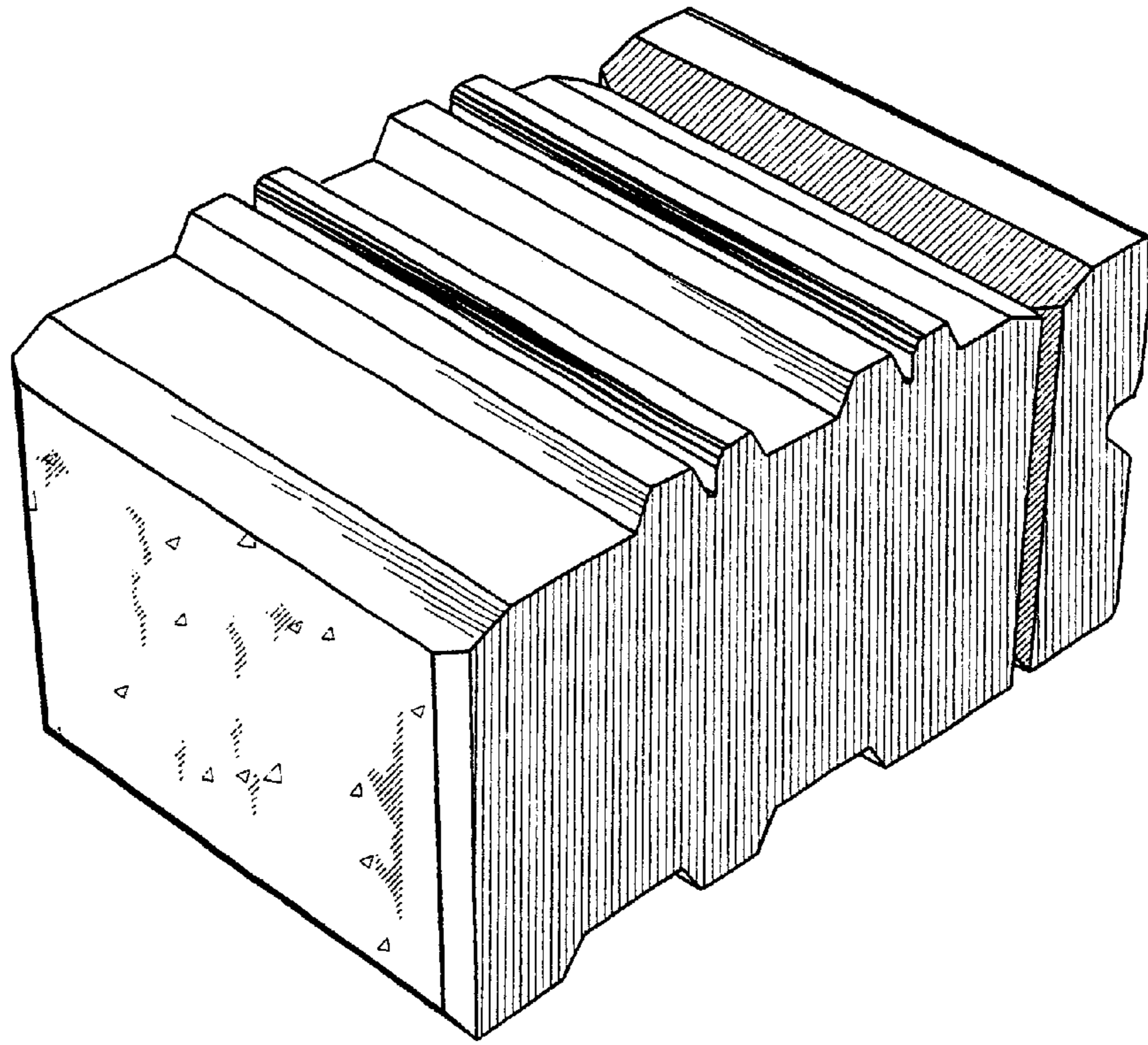


Figure 1

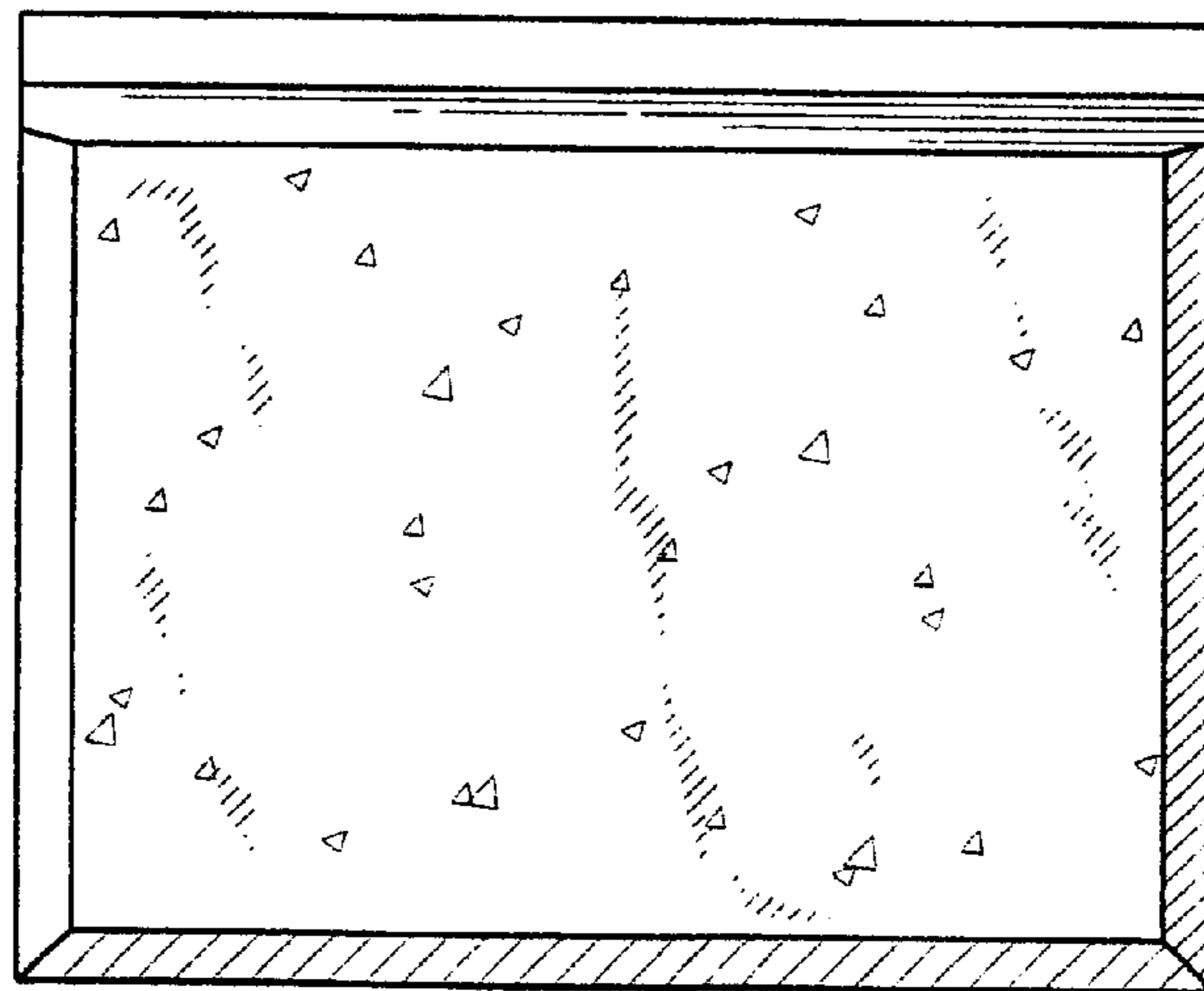


Figure 2

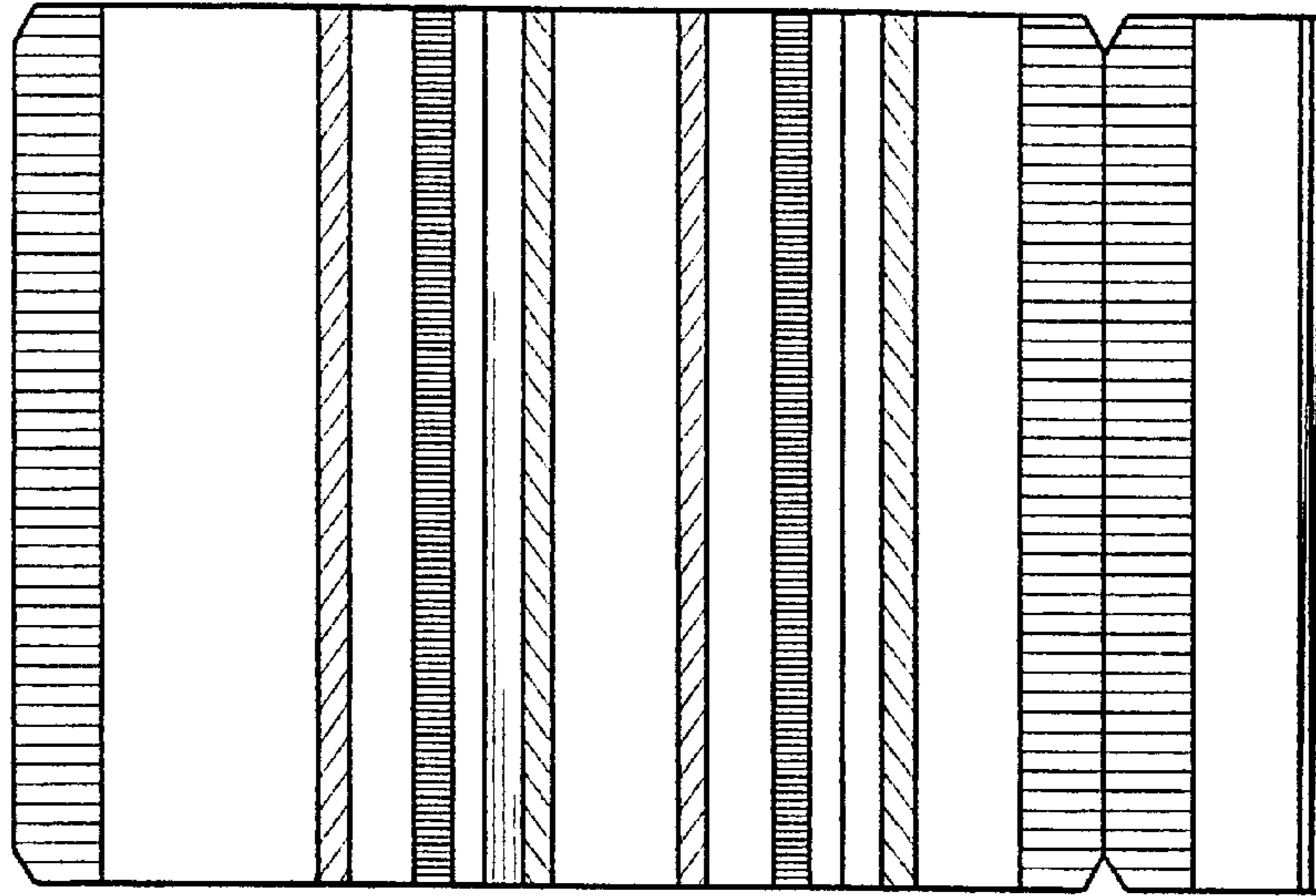


Figure 3

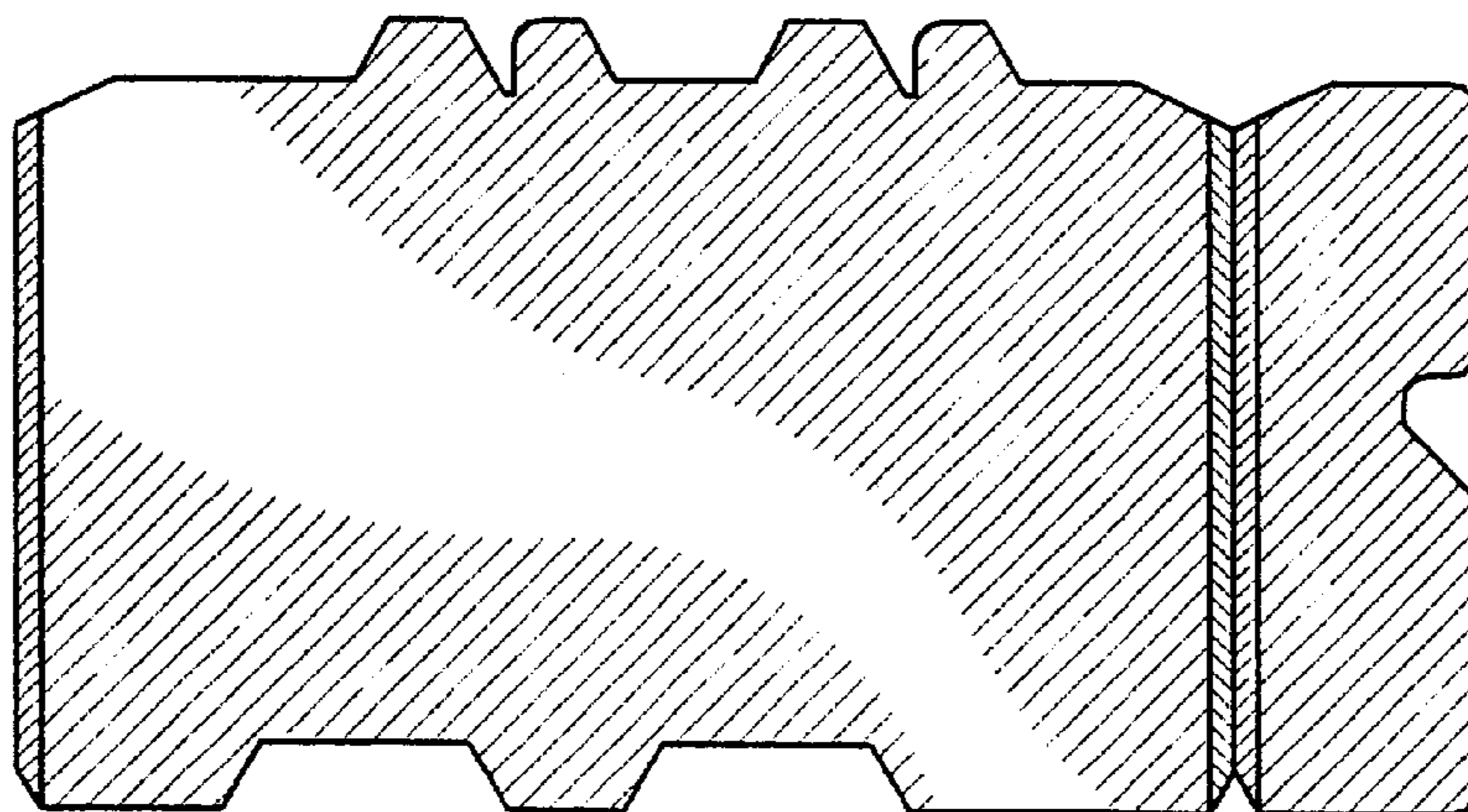


Figure 4

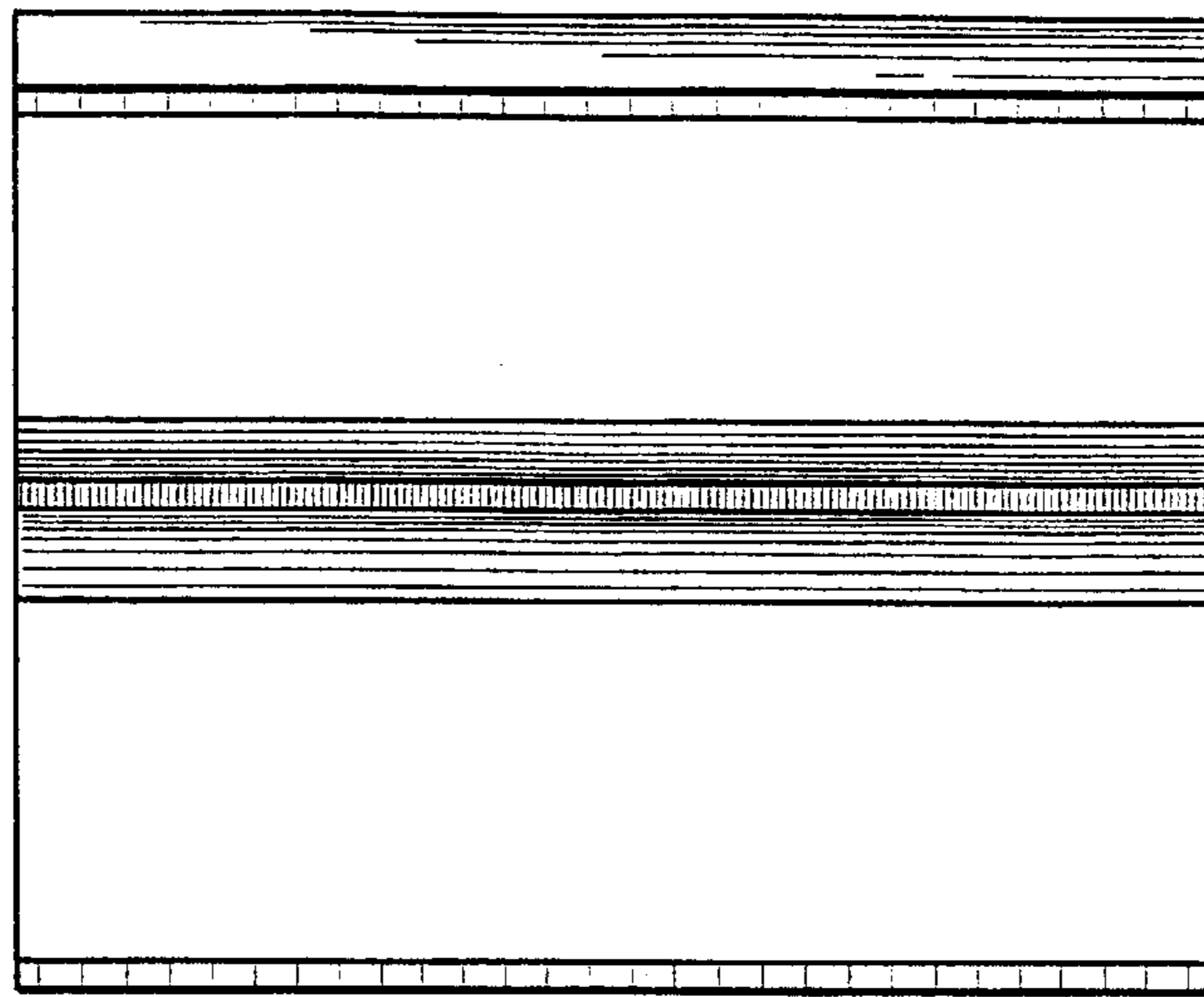


Figure 5

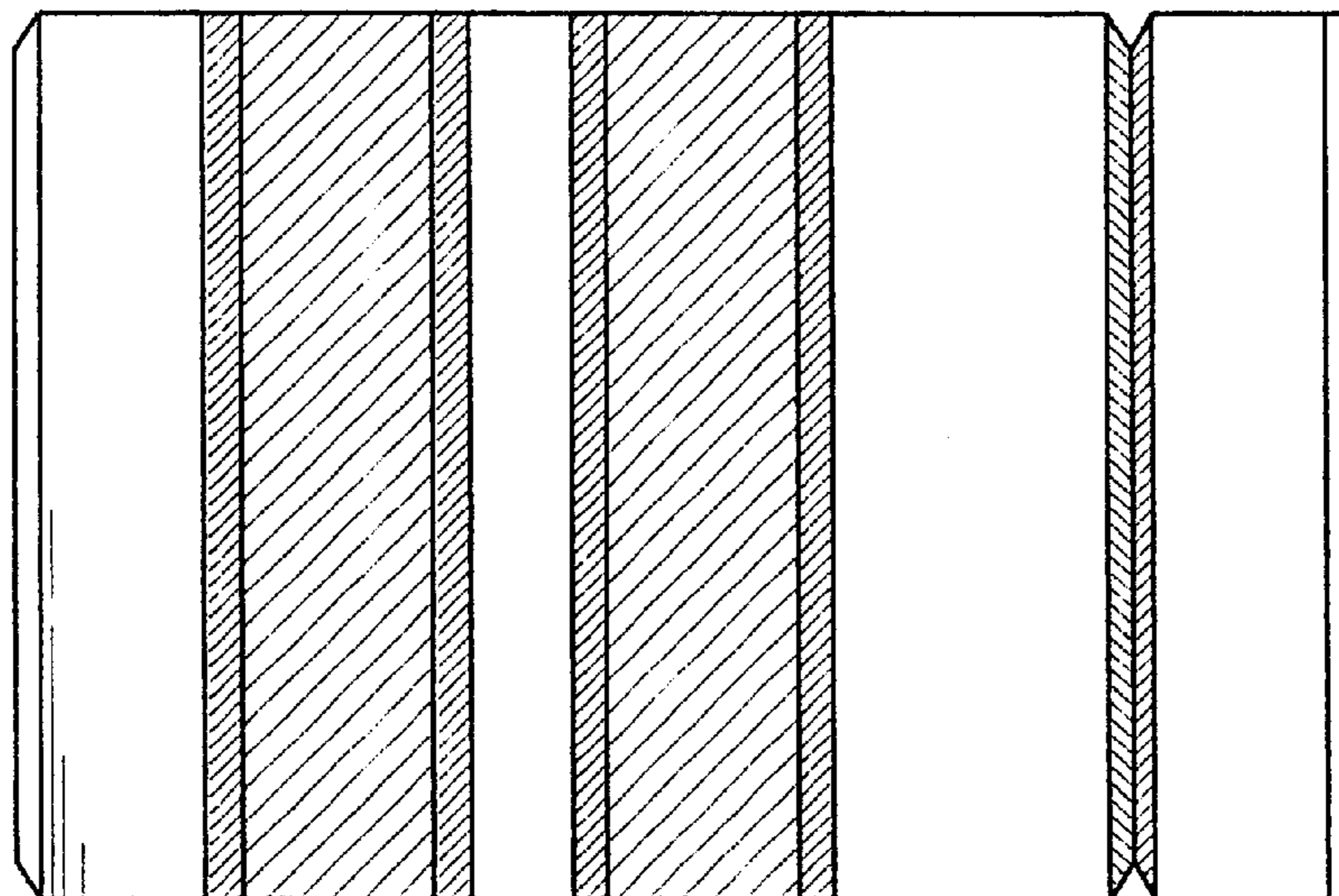


Figure 6