



US00D512159S

(12) **United States Design Patent**
Grützke et al.

(10) **Patent No.: US D512,159 S**

(45) **Date of Patent: ** Nov. 29, 2005**

(54) **GUIDE RAIL**

5,657,968 A * 8/1997 Marsden 256/68
D474,281 S * 5/2003 Hansen D25/38

(75) Inventors: **Joachim Grützke**, New Bern, NC
(US); **Thomas Knöller**, Karlsruhe
(DE); **Ralf Grobleben**, Bretten (DE)

* cited by examiner

Primary Examiner—Doris Clark

(73) Assignee: **BSH Bosch und Siemens Hausgeräte GmbH**, Munich (DE)

(74) *Attorney, Agent, or Firm*—John T. Winburn; Russell W. Warnock; Craig J. Loest

(**) Term: **14 Years**

(57) **CLAIM**

The ornamental design for a guide rail, as shown and described.

(21) Appl. No.: **29/211,910**

(22) Filed: **Aug. 24, 2004**

DESCRIPTION

(30) **Foreign Application Priority Data**

Feb. 24, 2004 (HM) 000144100

(51) **LOC (8) Cl.** **25-02**

(52) **U.S. Cl.** **D25/38**

(58) **Field of Search** D25/38, 50, 126;
256/59, 13.1; 52/745.05

FIG. 1 is a perspective view of a guide rail showing my ornamental design;

FIG. 2 is a right end view of the guide rail shown in FIG. 1;

FIG. 3 is a left end view of the guide rail shown in FIG. 1;

FIG. 4 is a right side view of the guide rail shown in FIG. 1;

FIG. 5 is a left side view of the guide rail shown in FIG. 1;

FIG. 6 is a bottom view of the guide rail shown in FIG. 1;

and,

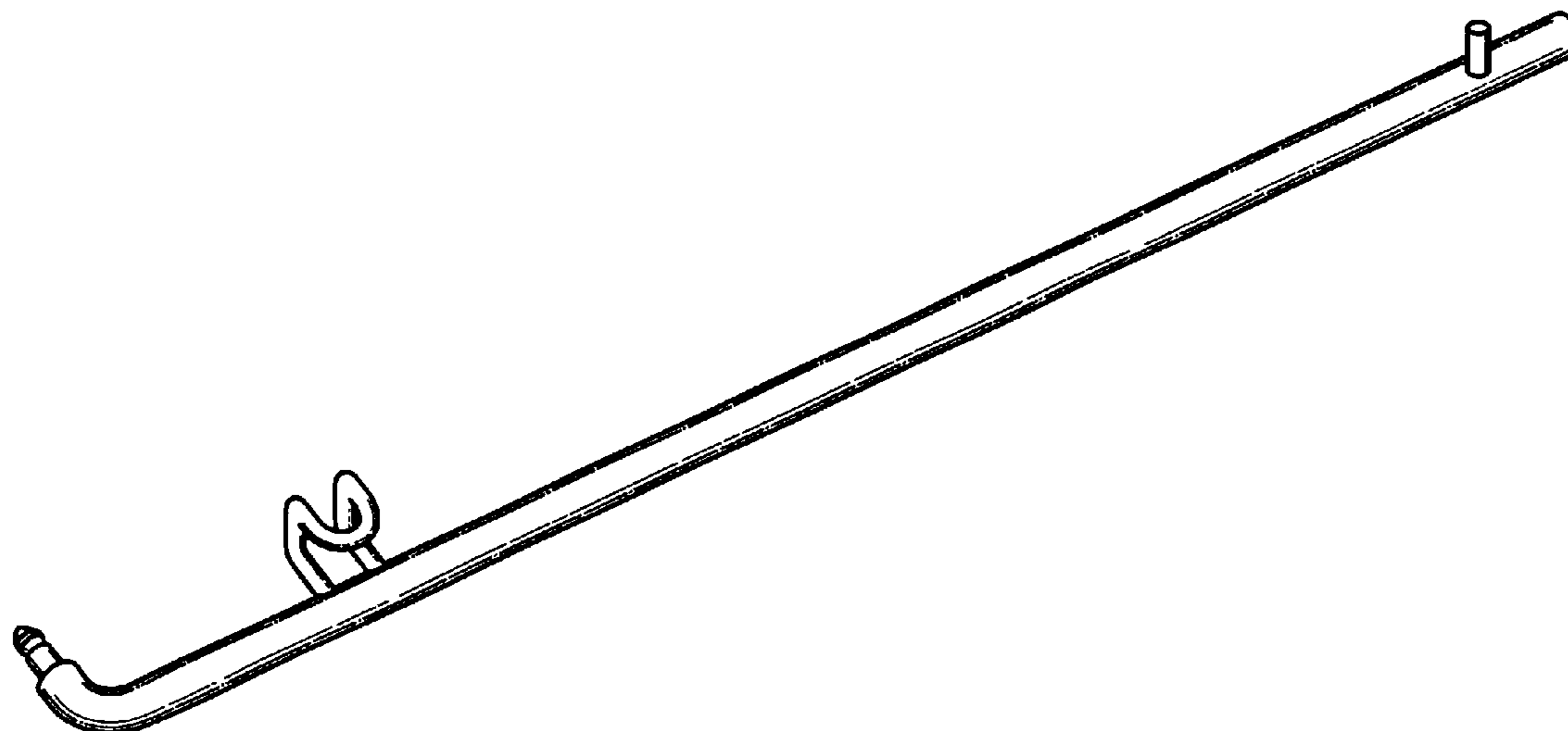
FIG. 7 is a top view of the guide rail shown in FIG. 1.

(56) **References Cited**

U.S. PATENT DOCUMENTS

5,396,740 A * 3/1995 Bocchi 52/33

1 Claim, 2 Drawing Sheets



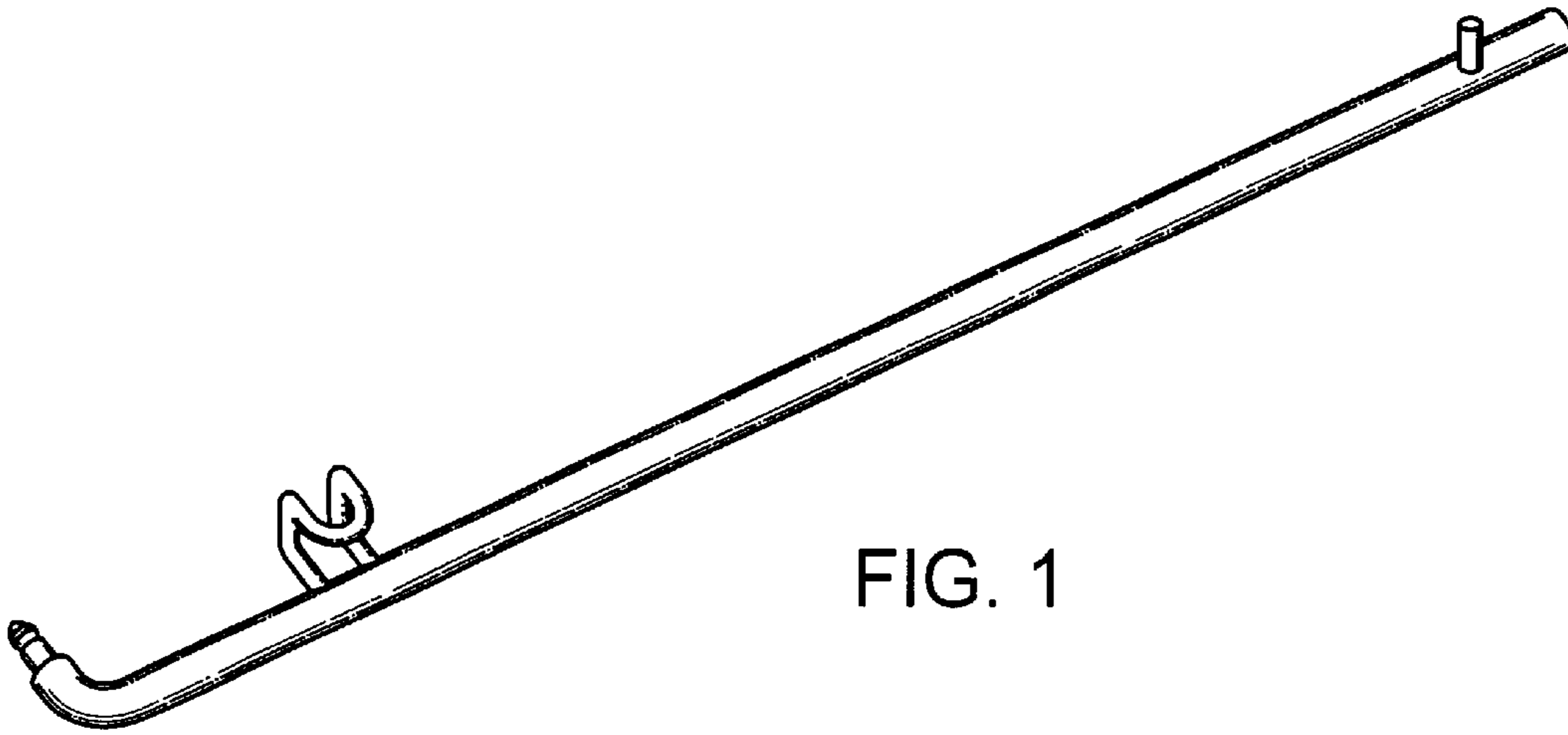


FIG. 1

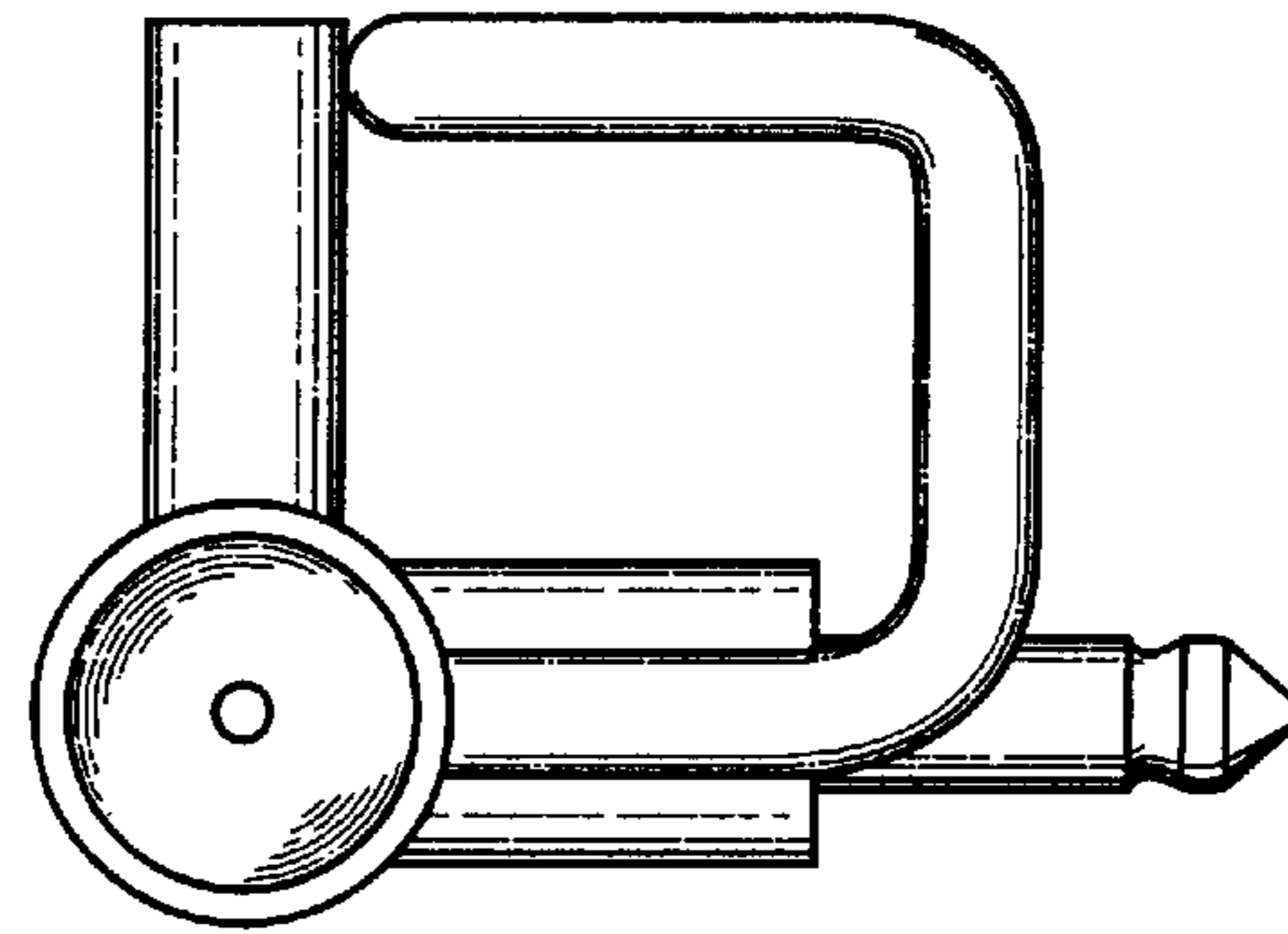


FIG. 2

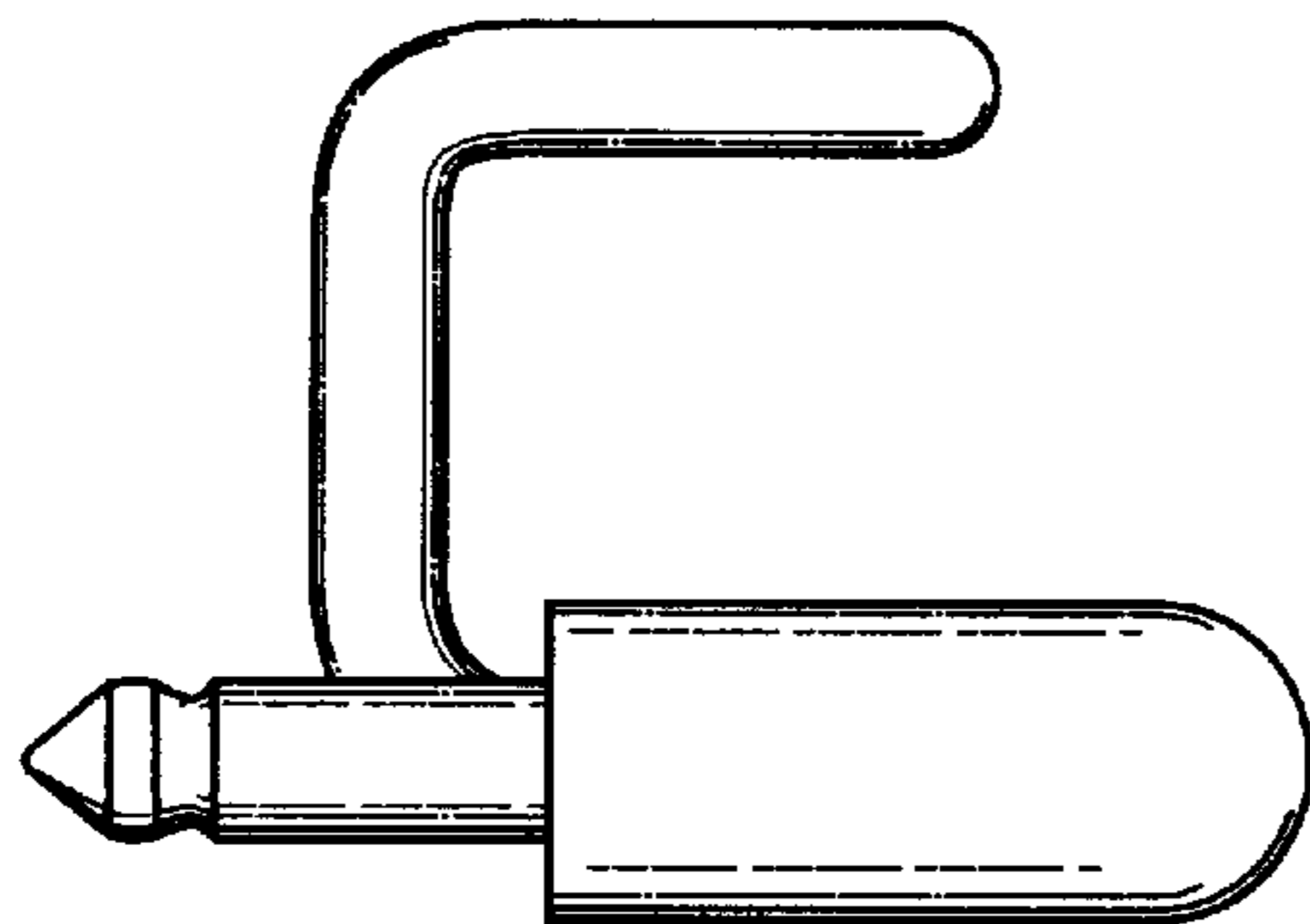


FIG. 3

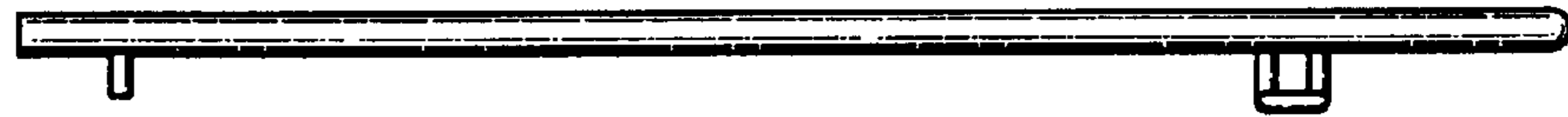


FIG. 4

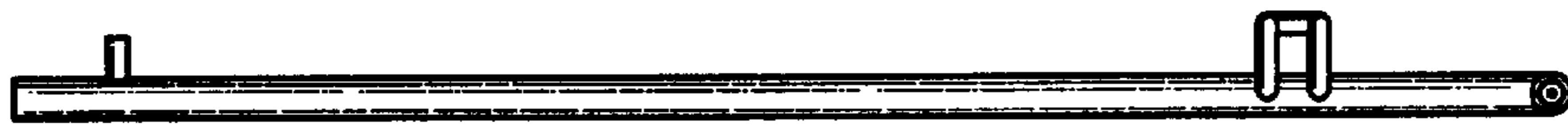


FIG. 5

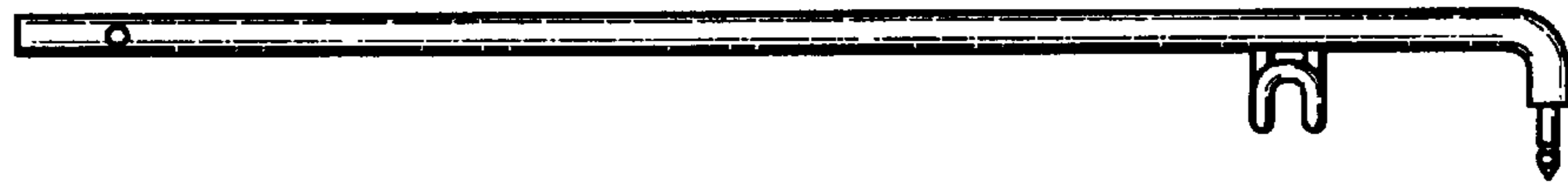


FIG. 6



FIG. 7