



US00D512157S

(12) **United States Design Patent**  
**Wu et al.**

(10) **Patent No.: US D512,157 S**  
(45) **Date of Patent: \*\* Nov. 29, 2005**

(54) **ENDOSCOPE IMMERSION TRAY**

**FOREIGN PATENT DOCUMENTS**

(75) Inventors: **Su-Syin S. Wu**, Irvine, CA (US); **Scott D. Godfrey**, Dearborn, MI (US)

JP 2000-225126 A 8/2000  
JP 2002-238847 A 8/2002

(73) Assignee: **Ethicon Inc.**, Somerville, NJ (US)

**OTHER PUBLICATIONS**

(\*\*) Term: **14 Years**

OE-C11, Soaking Cap for PENTAX ultrasound G.I Endoscopes.

(21) Appl. No.: **29/212,222**

\* cited by examiner

(22) Filed: **Aug. 27, 2004**

*Primary Examiner*—Louis S. Zarfaz  
*Assistant Examiner*—Melanie Levy

(51) **LOC (8) Cl.** ..... **28-03**

(57) **CLAIM**

(52) **U.S. Cl.** ..... **D24/227; D24/122; D10/46**

We claim the ornamental design for endoscope immersion tray, as shown.

(58) **Field of Search** ..... D24/121-123,  
D24/227-230; D9/424, 425; 206/370, 570-572,  
438, 363, 557, 558, 563, 559; D10/46.2,  
46.3; 422/102, 292

**DESCRIPTION**

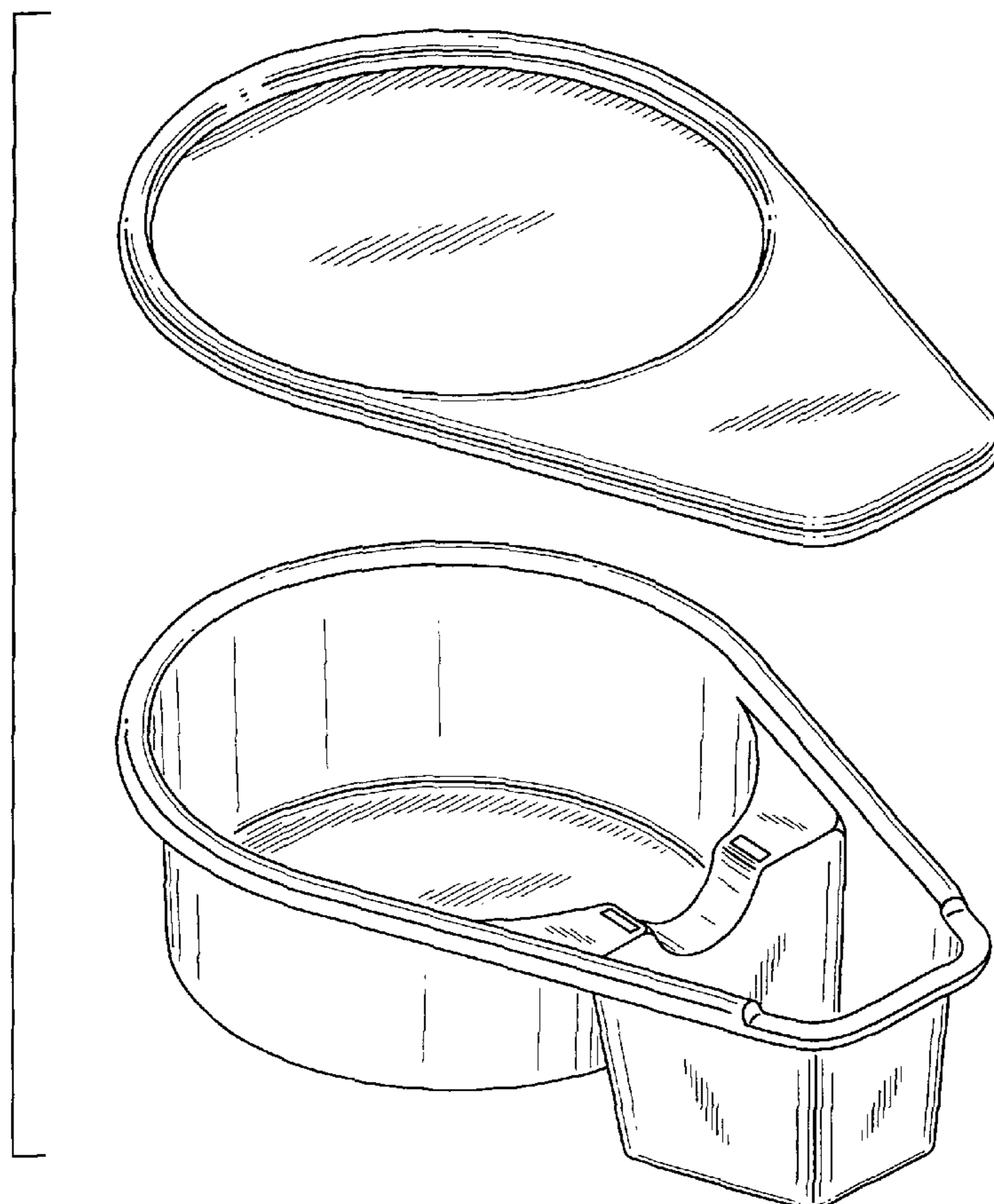
(56) **References Cited**

FIG. 1 is a perspective view of an endoscope immersion tray according to the present invention as seen from the top, front and right sides;  
FIG. 2 is a top plan view thereof;  
FIG. 3 is front elevational view thereof;  
FIG. 4 is a bottom plan view thereof;  
FIG. 5 is a right side elevational view thereof;  
FIG. 6 is a left side elevational view thereof; and,  
FIG. 7 is an exploded perspective view from the top, front, and right sides.

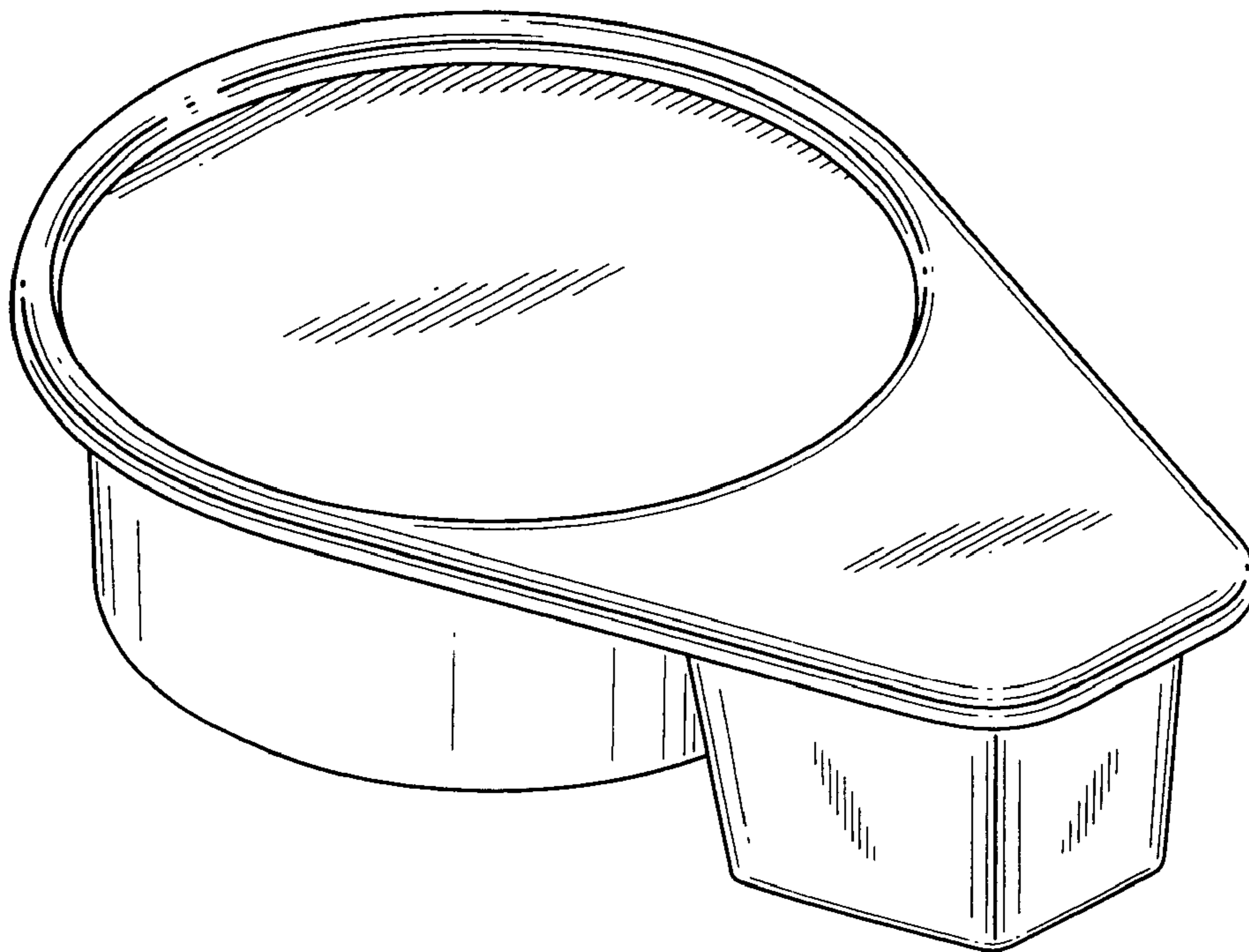
**U.S. PATENT DOCUMENTS**

D215,331 S	*	9/1969	Swett	.....	D10/46.2
4,053,280 A		10/1977	Salisbury		
D256,311 S	*	8/1980	Daenen	.....	D10/46.3
D258,311 S	*	2/1981	Peterson	.....	D24/121
D340,768 S	*	10/1993	Jabour	.....	D24/122
5,422,076 A	*	6/1995	Jones	.....	422/102
5,711,921 A		1/1998	Langford		

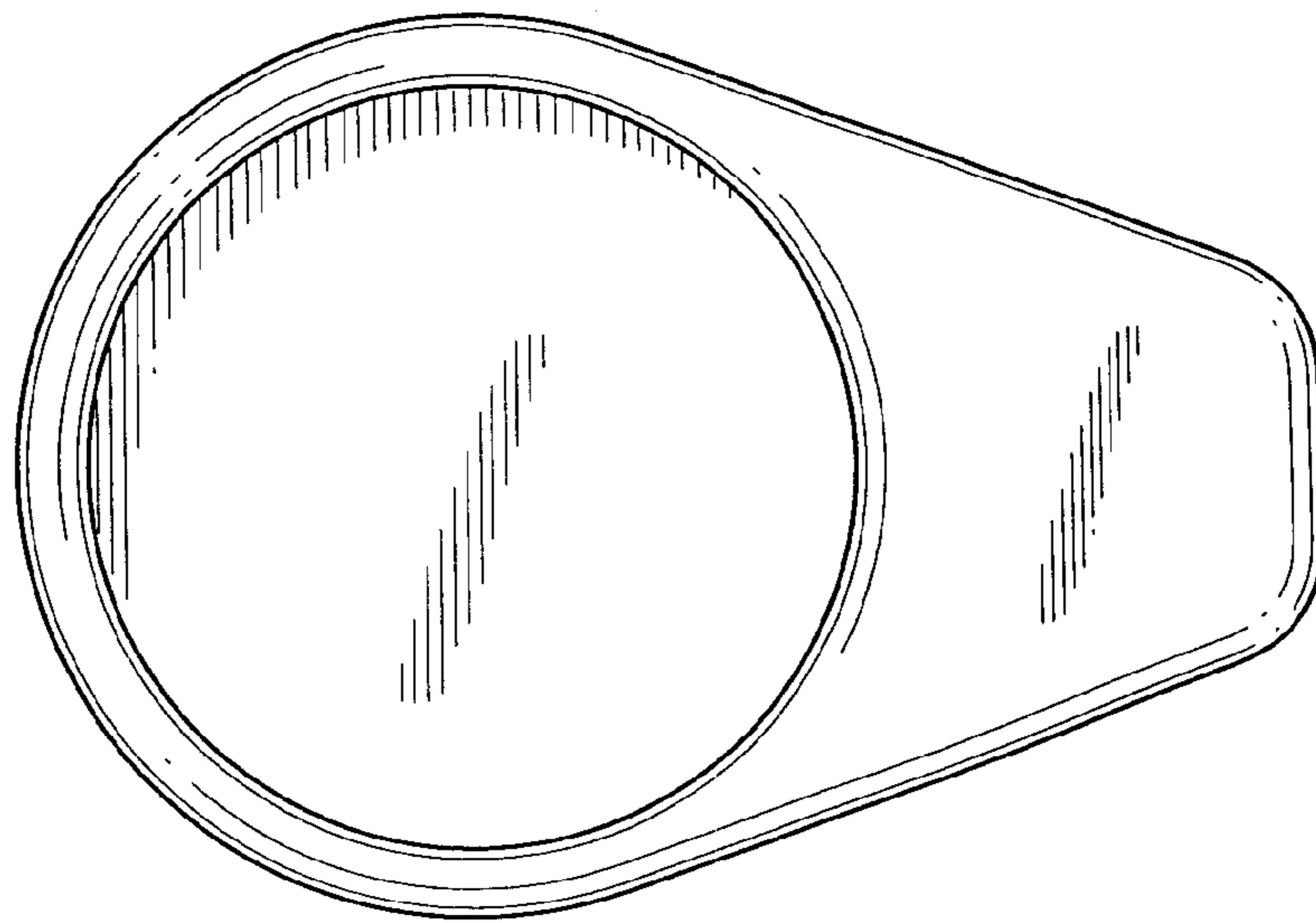
**1 Claim, 4 Drawing Sheets**



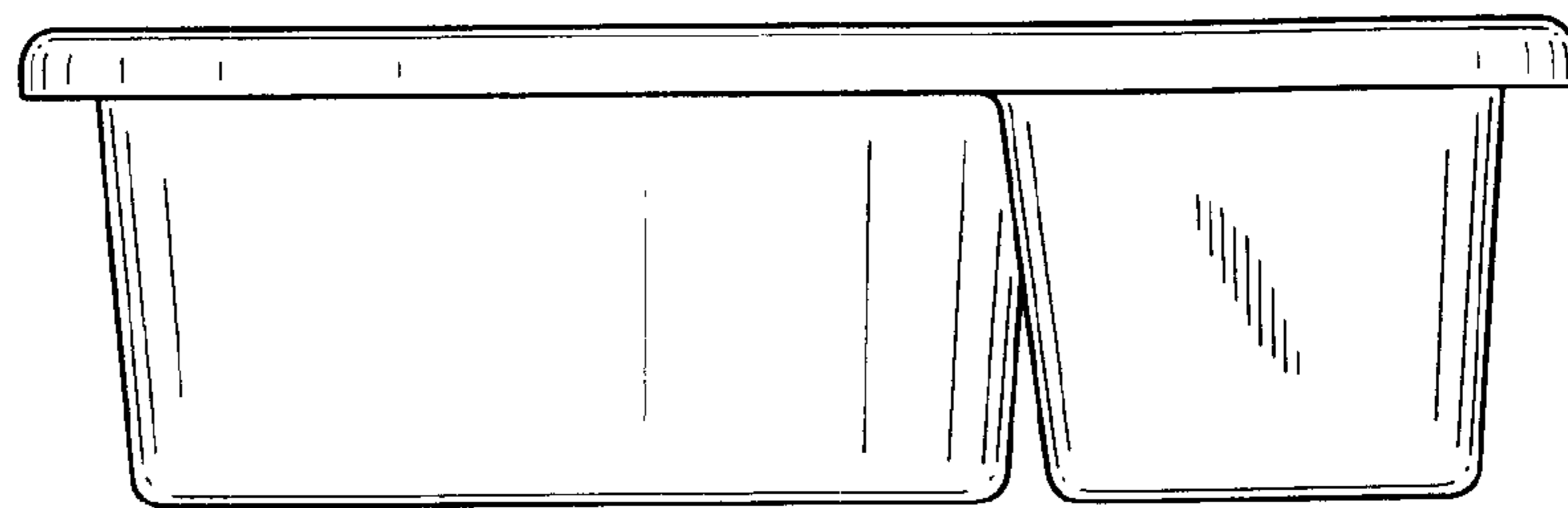
**FIG. 1**



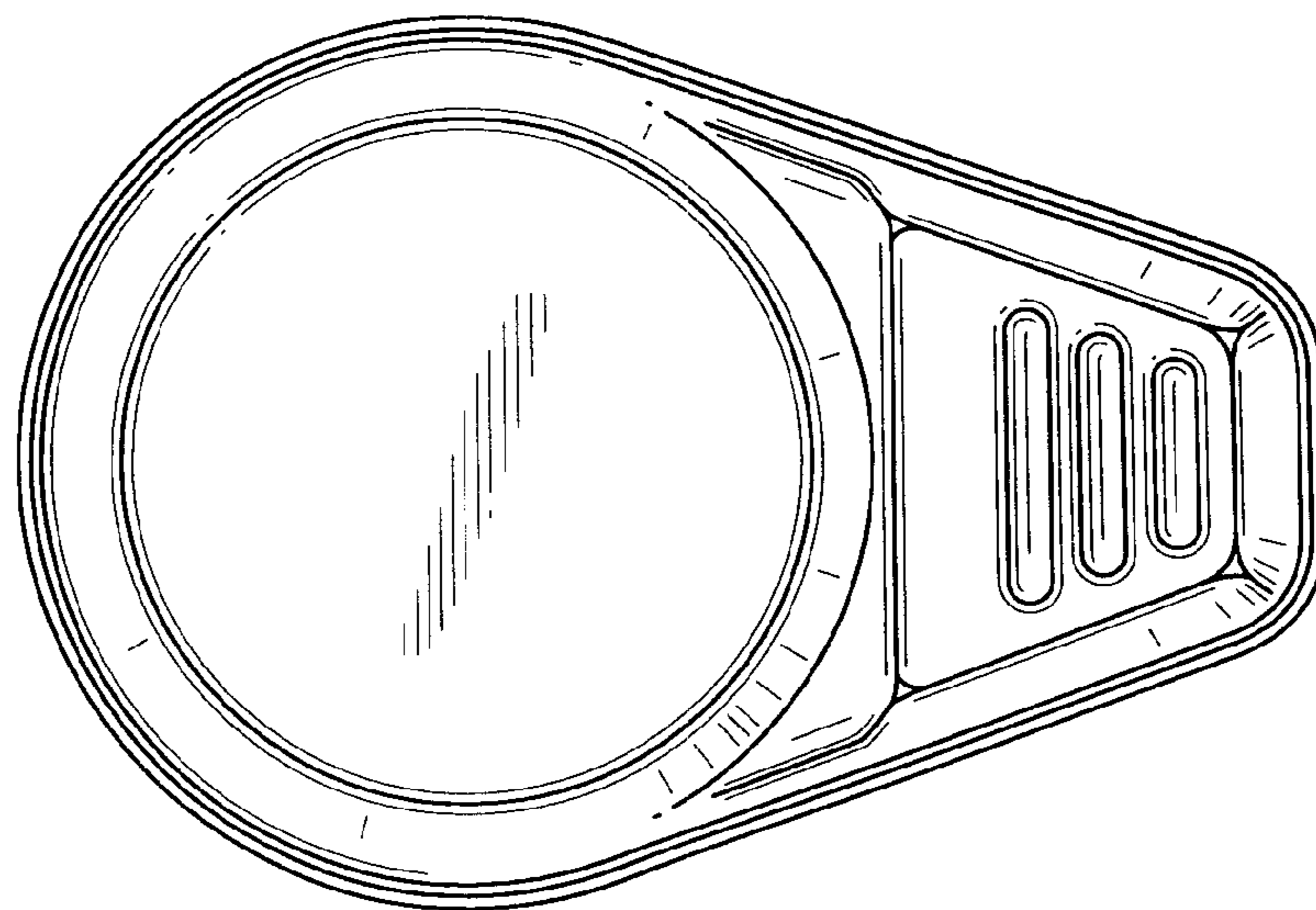
**FIG. 2**



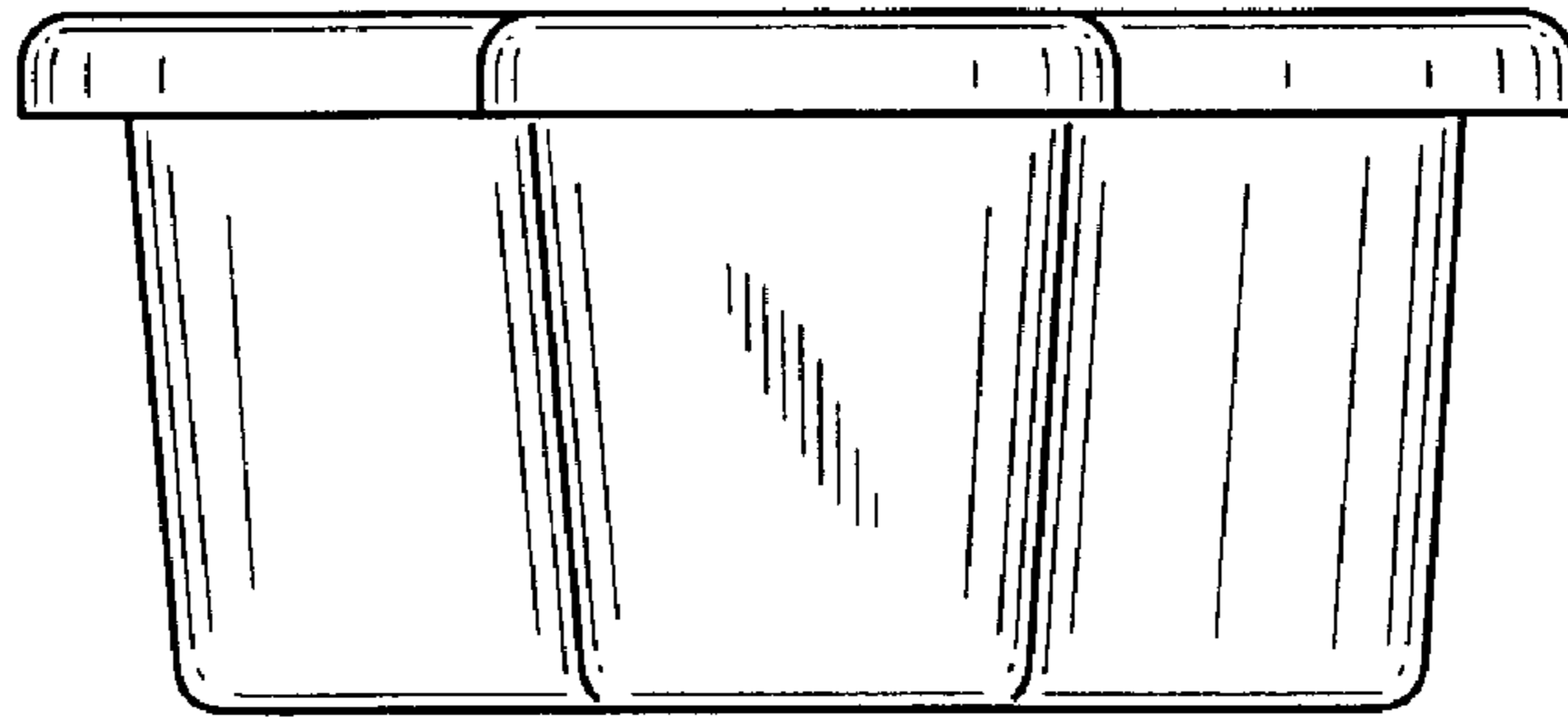
**FIG. 3**



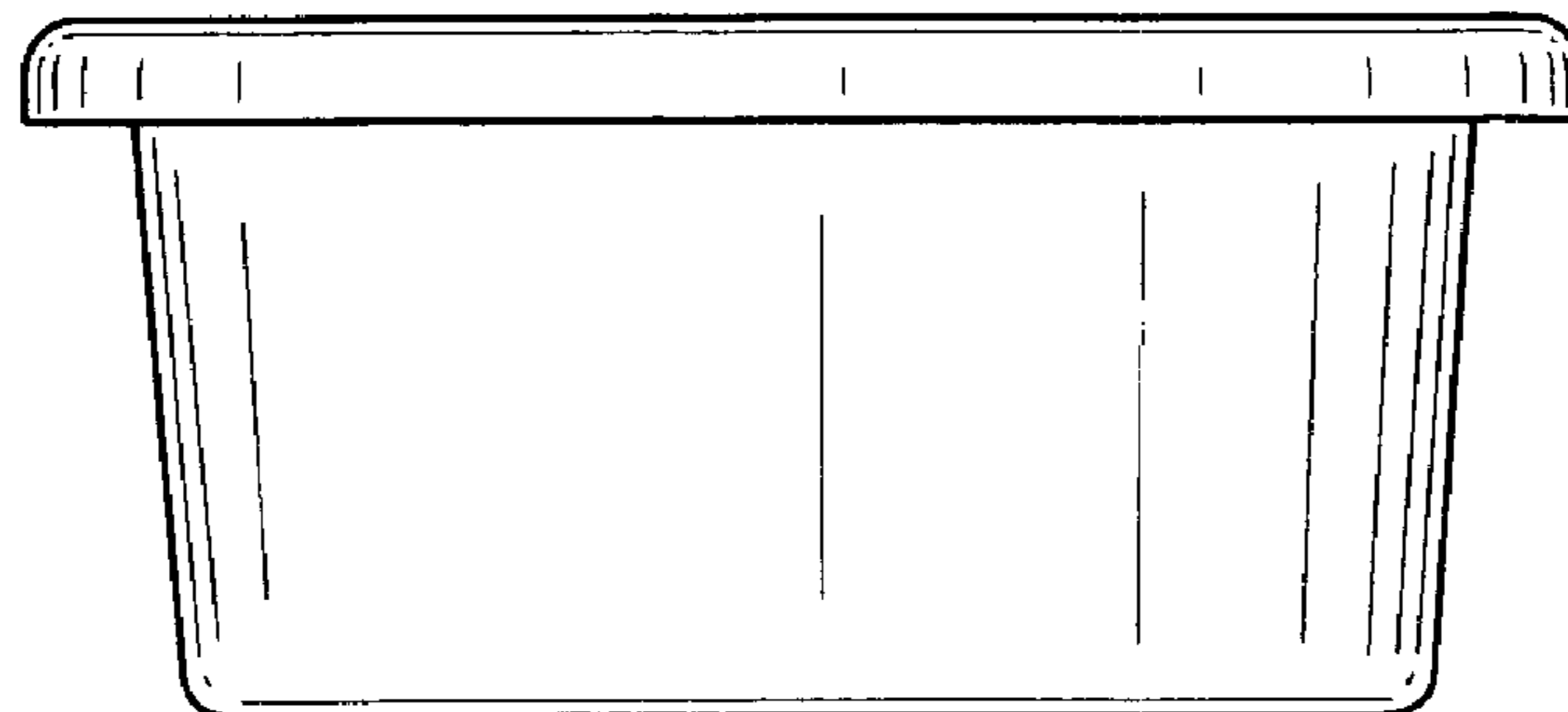
**FIG. 4**



**FIG. 5**



**FIG. 6**



**FIG. 7**

