



US00D512151S

(12) **United States Design Patent** (10) **Patent No.:** **US D512,151 S**  
**Ward et al.** (45) **Date of Patent:** **\*\* Nov. 29, 2005**

(54) **VITAL SIGNS MONITOR**  
 (75) Inventors: **Suzanne M. Ward**, Portland, OR (US);  
**I Ung Kim**, Seoul (KR); **Eong Suk Kim**,  
 Wonju (KR); **Young Hwan Oh**, Seoul (KR);  
**Jun Mook Kang**, Koyang (KR)

D414,870 S 10/1999 Saltzstein et al.  
 D427,315 S 6/2000 Saltzstein et al.  
 D437,414 S 2/2001 Kern et al.  
 D445,190 S 7/2001 Byler et al.  
 D460,559 S 7/2002 Knieriem et al.  
 D474,837 S \* 5/2003 Gillespie et al. .... D24/111  
 D491,270 S \* 6/2004 Barker ..... D24/186

\* cited by examiner

(73) Assignee: **Welch Allyn Protocol, Inc.**,  
 Skaneateles Falls, NY (US)

*Primary Examiner*—Ian Simmons  
*Assistant Examiner*—Daniel Yu

(\*\*) Term: **14 Years**

(74) *Attorney, Agent, or Firm*—Wall Marjama & Bilinski  
 LLP

(21) Appl. No.: **29/198,116**

(57) **CLAIM**

(22) Filed: **Jan. 23, 2004**

The ornamental design for a vital signs monitor, as shown and described.

(51) **LOC (8) Cl.** ..... **24-01**

(52) **U.S. Cl.** ..... **D24/186; D24/111**

(58) **Field of Search** ..... D24/186; 600/391,  
 600/393, 481, 484, 513, 519, 528, 532,  
 536, 538, 549

**DESCRIPTION**

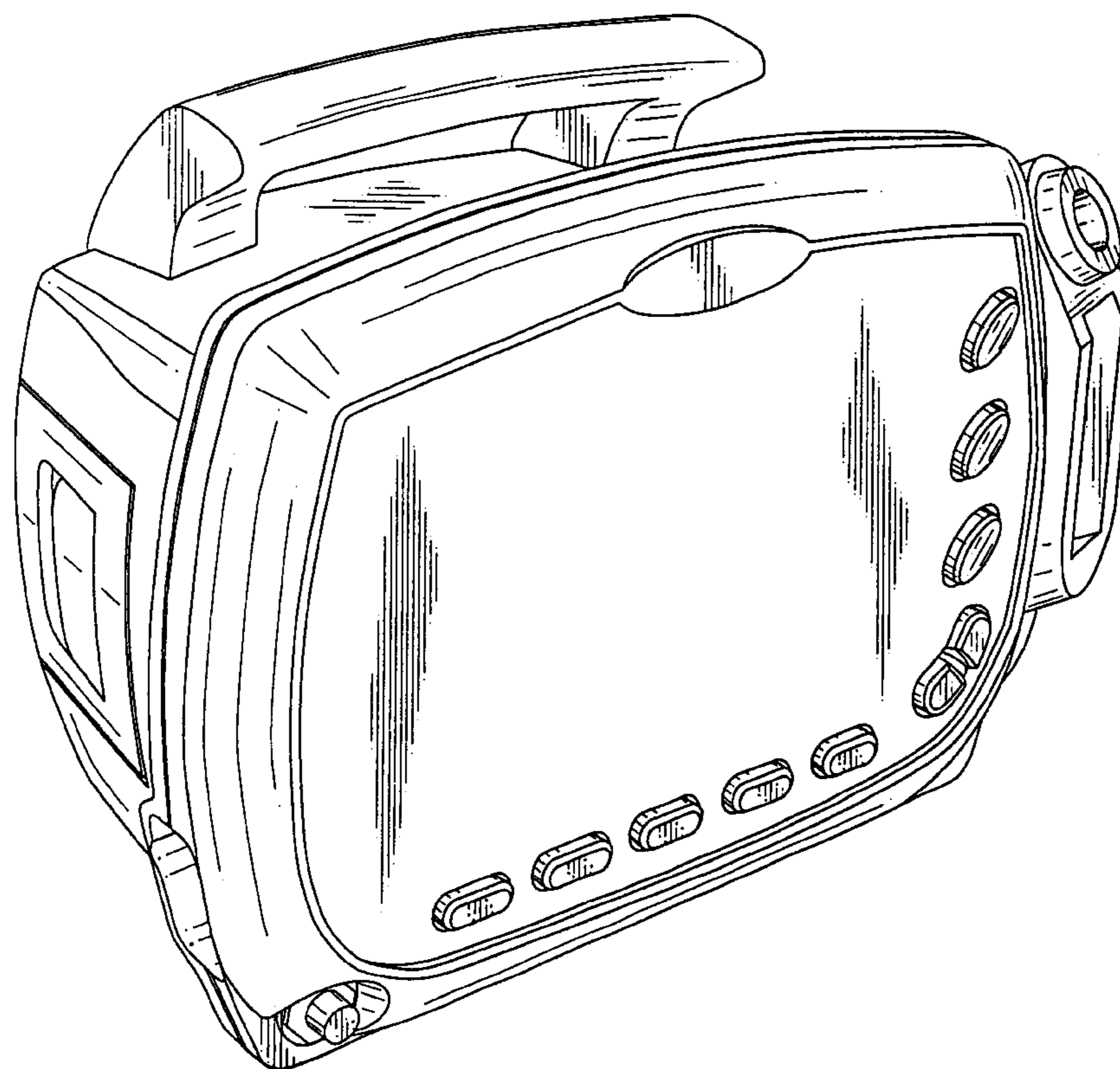
(56) **References Cited**

**U.S. PATENT DOCUMENTS**

D248,490 S 7/1978 Manno  
 D287,052 S 12/1986 Avoy et al.  
 D297,260 S 8/1988 Avoy et al.  
 D340,769 S 10/1993 Bloom et al.  
 D392,043 S 3/1998 Cooper et al.  
 D393,072 S \* 3/1998 Rogler ..... D24/186  
 D395,513 S \* 6/1998 Rogler ..... D24/186

FIG. 1 is a left perspective view of a vital signs monitor showing our new design;  
 FIG. 2 is a right perspective view thereof;  
 FIG. 3 is a front view thereof, the broken lines showing are for illustrative purposes only and forms no part of the claimed design invention;  
 FIG. 4 is a top plan view thereof;  
 FIG. 5 is a bottom plan view thereof;  
 FIG. 6 is a left side view thereof;  
 FIG. 7 is a right side view thereof; and,  
 FIG. 8 is a rear view thereof.

**1 Claim, 7 Drawing Sheets**



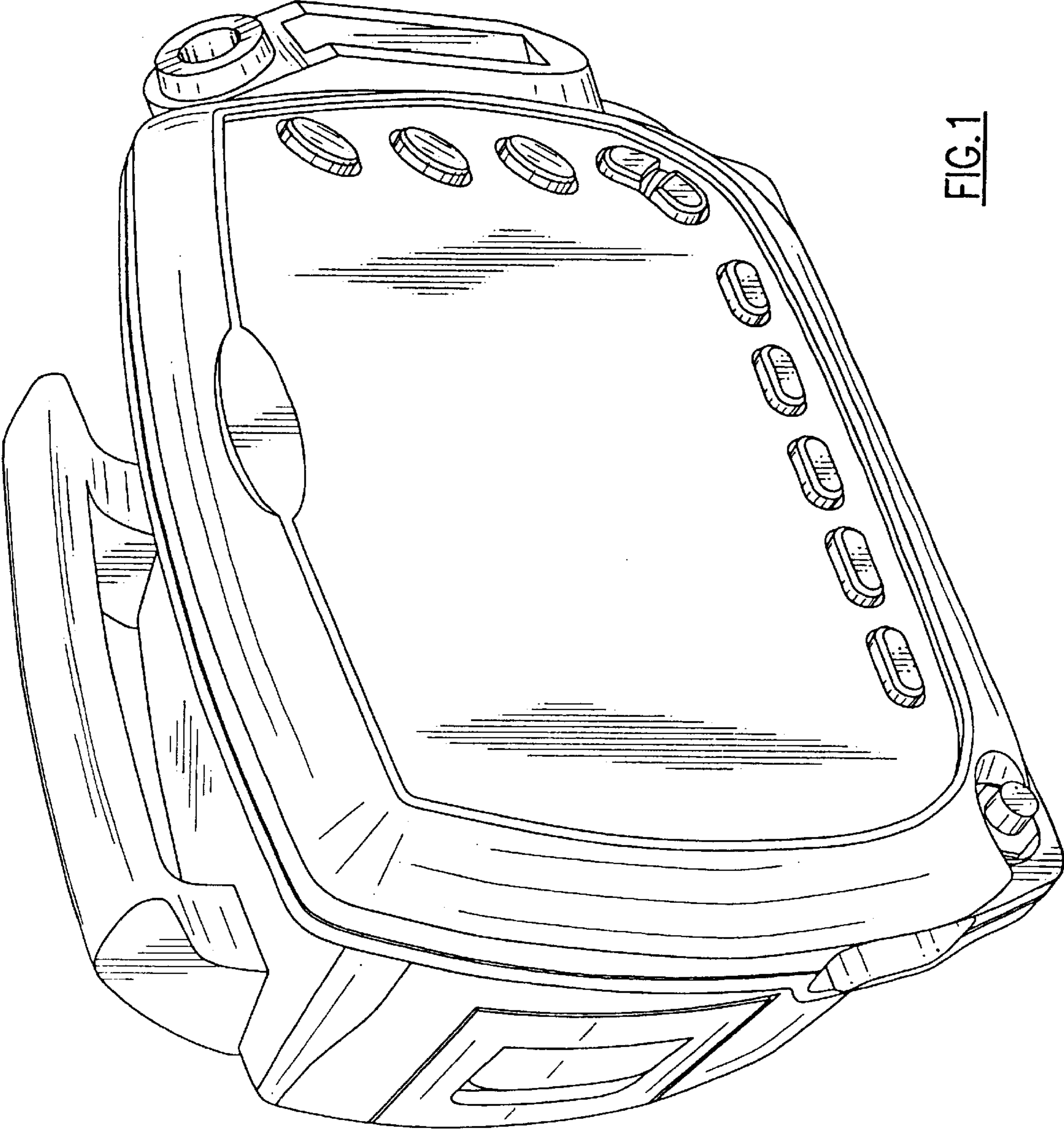


FIG. 1

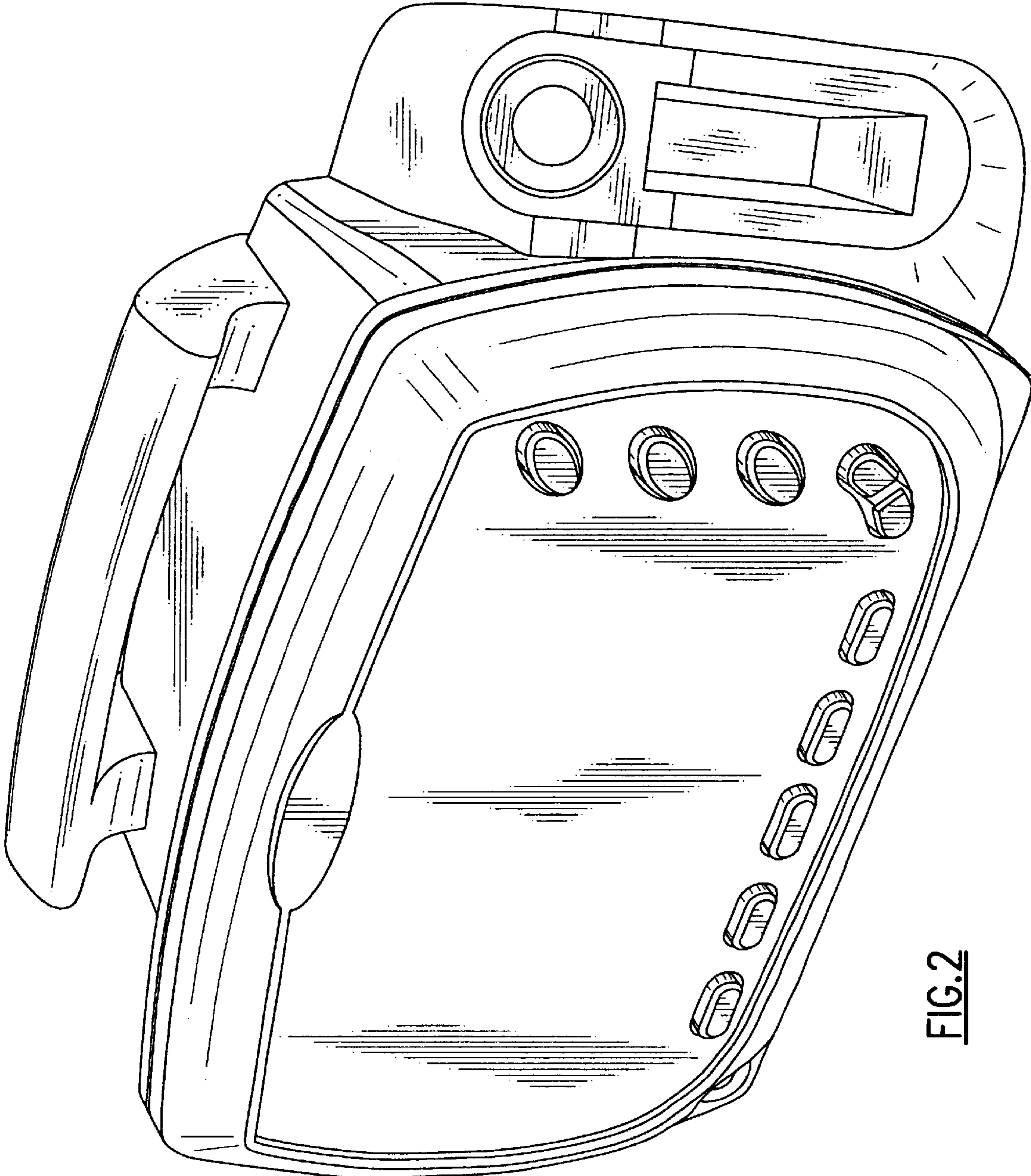


FIG. 2



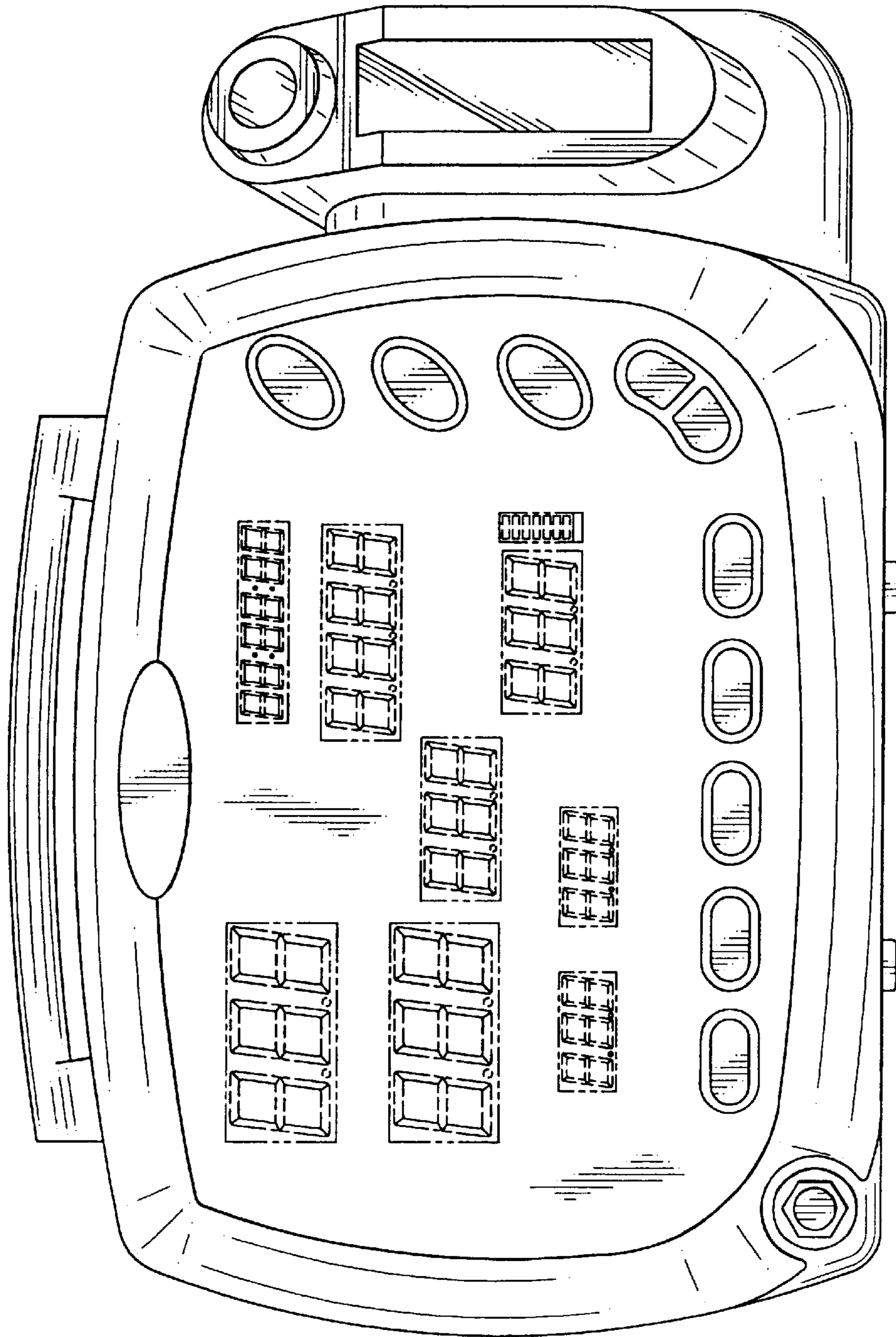


FIG. 3

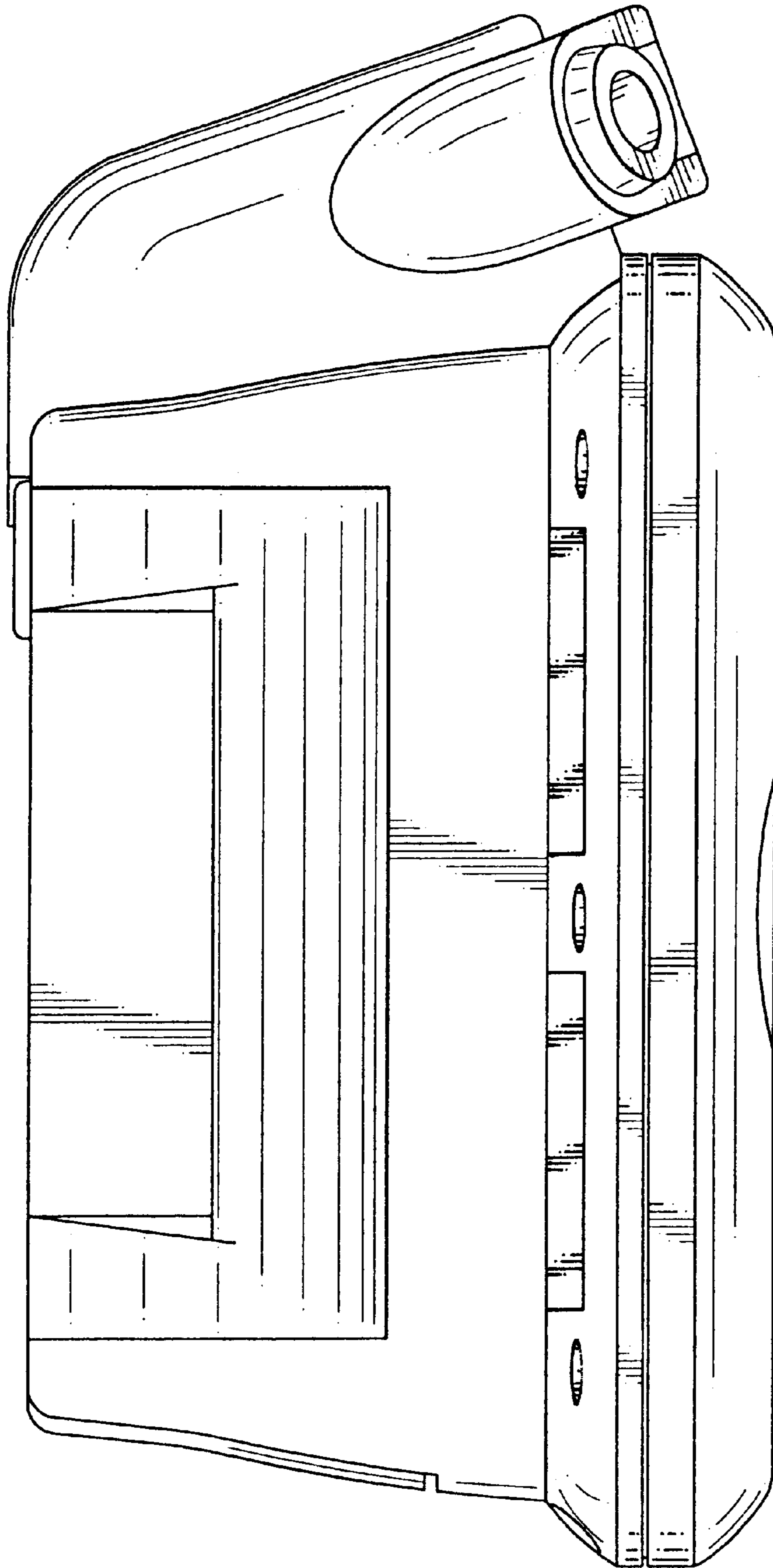


FIG.4

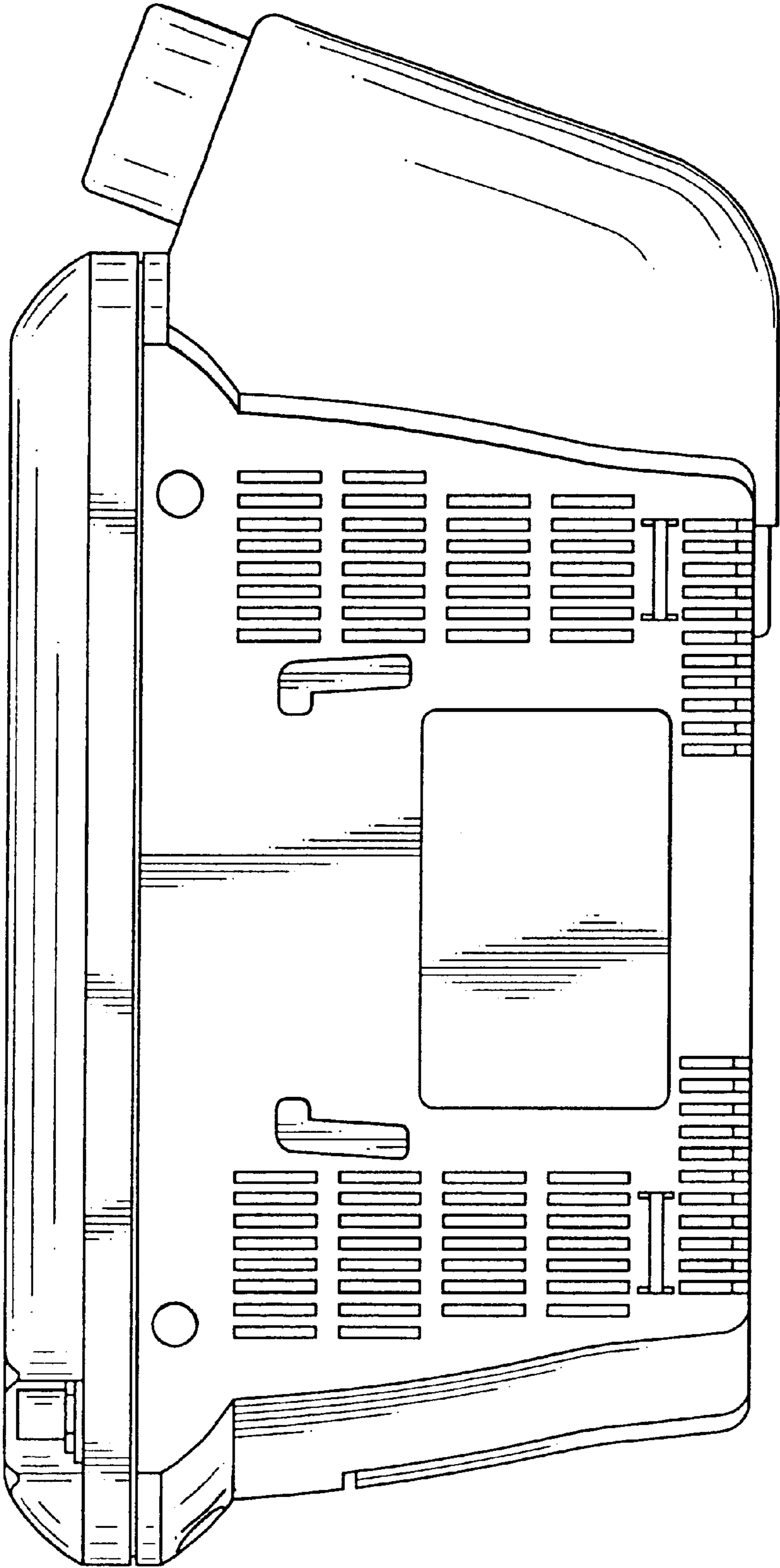


FIG. 5

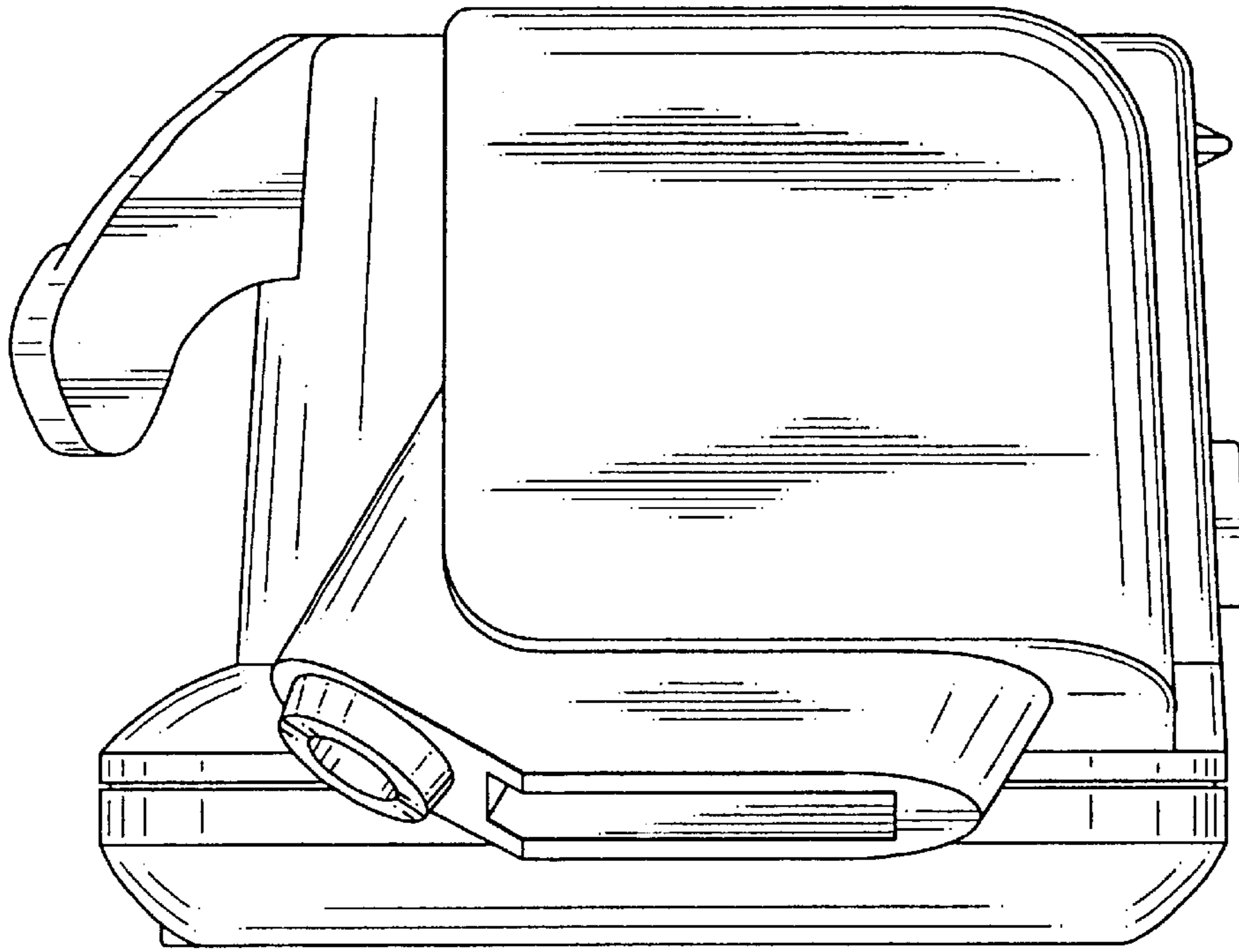


FIG. 7

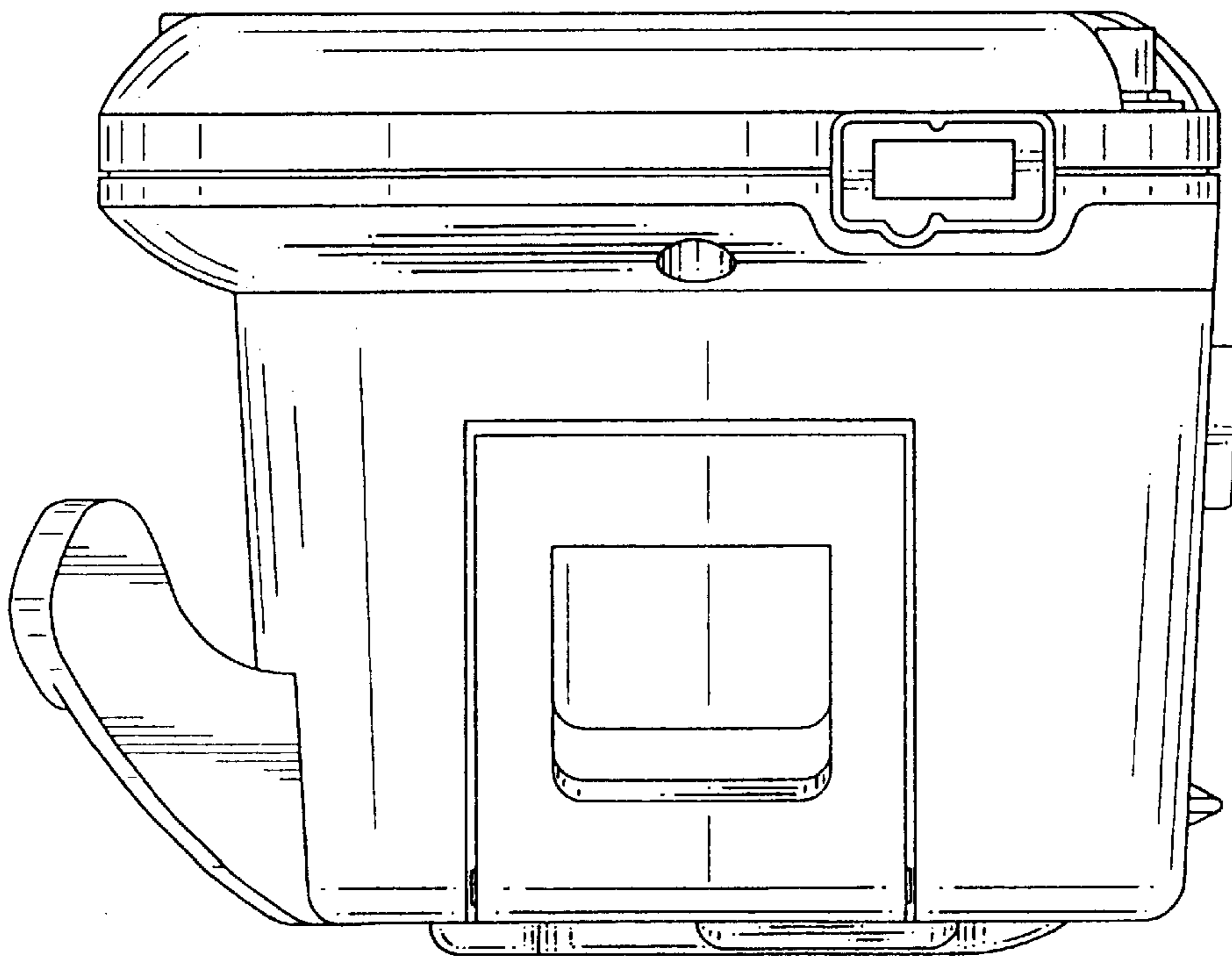


FIG. 6

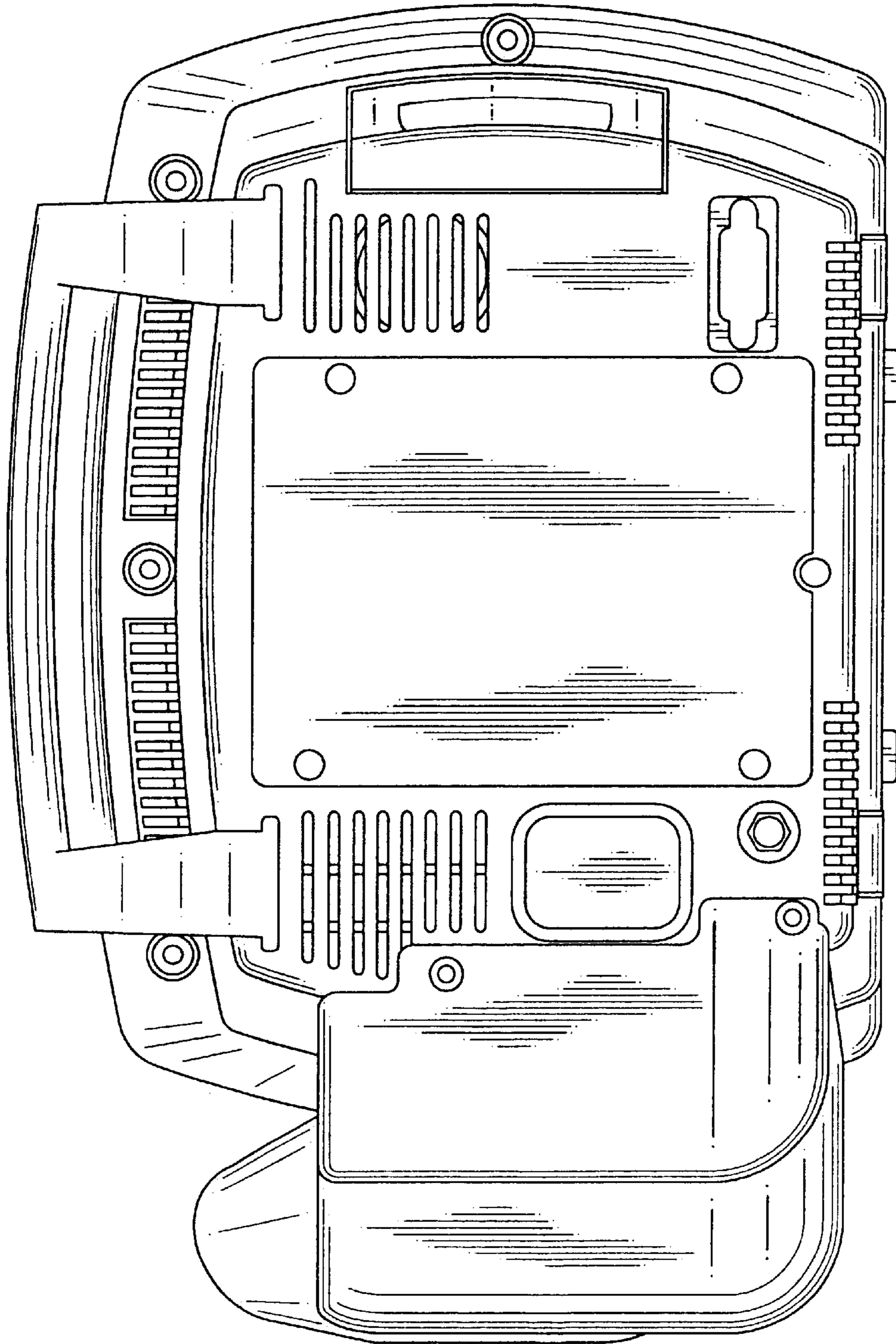


FIG. 8