

US00D512149S

(12) **United States Design Patent** (10) **Patent No.:** **US D512,149 S**  
**Bochner et al.** (45) **Date of Patent:** **\*\* Nov. 29, 2005**

(54) **MEDICAL EXAMINATION CART**

(76) Inventors: **Ronnie Z. Bochner**, 10 Candle La., East Brunswick, NJ (US) 08816; **Andrew Lewis Wright**, 3530 Meadowcroft, Kalamazoo, MI (US) 49004; **Michael Stephen Rozewicz**, 7335 Kendall Arbor, Kalamazoo, MI (US) 49009; **Kris Douglas Eager**, 1351 W. Gull Lake, Richland, MI (US) 49083

5,518,310 A 5/1996 Ellman et al.  
 5,547,270 A 8/1996 Dang  
 5,564,803 A 10/1996 McDonald et al.  
 5,662,396 A 9/1997 Reeder et al.  
 5,702,115 A 12/1997 Pool  
 6,022,088 A 2/2000 Metzler  
 2004/0160147 A1 8/2004 Bochner

(\*\*) Term: **14 Years**

(21) Appl. No.: **29/204,156**

(22) Filed: **Apr. 23, 2004**

**FOREIGN PATENT DOCUMENTS**

DE 3015644 10/1981  
 GB 403503 12/1933

(51) **LOC (8) Cl.** ..... **24-01**  
 (52) **U.S. Cl.** ..... **D24/185**  
 (58) **Field of Search** ..... D24/185; 312/209, 312/249.8, 216; D34/19

\* cited by examiner

*Primary Examiner*—Ian Simmons  
*Assistant Examiner*—Daniel Yu  
 (74) *Attorney, Agent, or Firm*—McCarter & English, LLP

(57) **CLAIM**

The ornamental design for a medical examination cart, as shown and described.

(56) **References Cited**

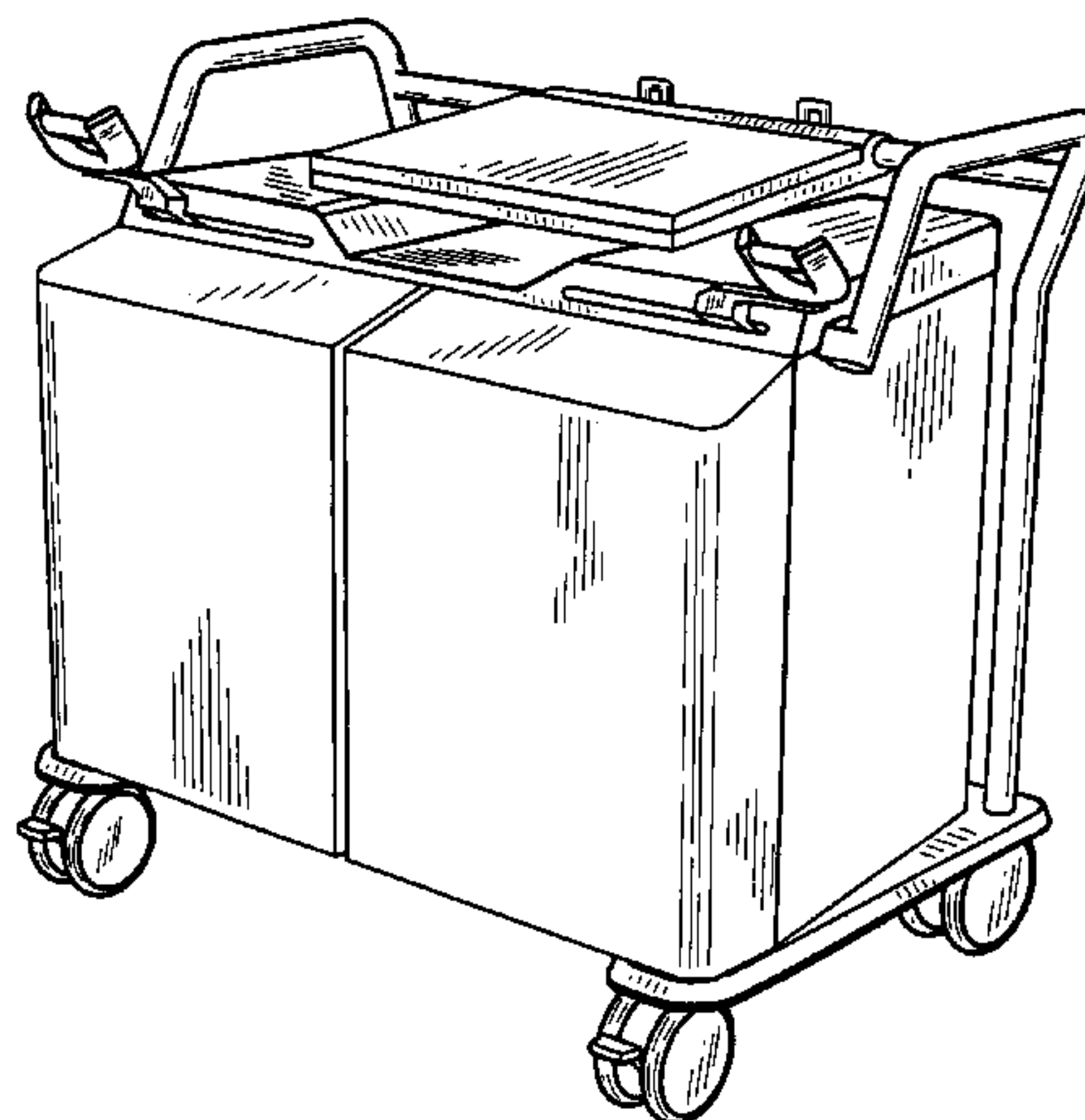
**U.S. PATENT DOCUMENTS**

1,409,330 A 3/1922 Aper  
 2,679,445 A 5/1954 Roehm  
 2,963,332 A 12/1960 Breuning  
 3,016,275 A 1/1962 Grant  
 3,085,842 A 4/1963 Johnson  
 3,334,951 A 8/1967 Douglass, Jr. et al.  
 3,428,383 A 2/1969 Nobel  
 3,715,148 A 2/1973 Beals  
 3,768,971 A \* 10/1973 Fishpaw ..... 312/209  
 3,966,286 A 6/1976 Groseclose  
 4,114,965 A 9/1978 Oye et al.  
 D250,584 S \* 12/1978 Oye ..... D24/185  
 D263,995 S \* 4/1982 Steele ..... D24/185  
 4,736,998 A 4/1988 Wilson et al.  
 4,790,610 A \* 12/1988 Welch et al. .... 312/216  
 D304,075 S \* 10/1989 Welch ..... D24/185  
 D332,855 S \* 1/1993 Royse et al. .... D24/185  
 5,184,601 A 2/1993 Putman  
 5,299,338 A 4/1994 Foster  
 5,399,007 A 3/1995 Marconet  
 5,405,587 A \* 4/1995 Fernandez et al. .... 312/209

**DESCRIPTION**

FIG. 1 is a perspective view of a medical examination cart showing my new design;  
 FIG. 2 is a right-side elevational view thereof, the left side being a mirror image of FIG. 2;  
 FIG. 3 is a front elevational view thereof;  
 FIG. 4 is a rear elevational view thereof;  
 FIG. 5 is a top plan view thereof;  
 FIG. 6 is a bottom plan view thereof;  
 FIG. 7 is a perspective view thereof, illustrating a support pad utilized in the medical examination cart in its unfolded orientation;  
 FIG. 8 is a right-side perspective view thereof, door panels being shown in their open positions and a tray unit being shown in its retracted position; and,  
 FIG. 9 is a left-side perspective thereof, the doors panels being shown in their open positions, and the tray unit being shown in its extended position.  
 The broken line showing of the bed is for illustrative purposes only and forms no part of the claimed design.

**1 Claim, 5 Drawing Sheets**



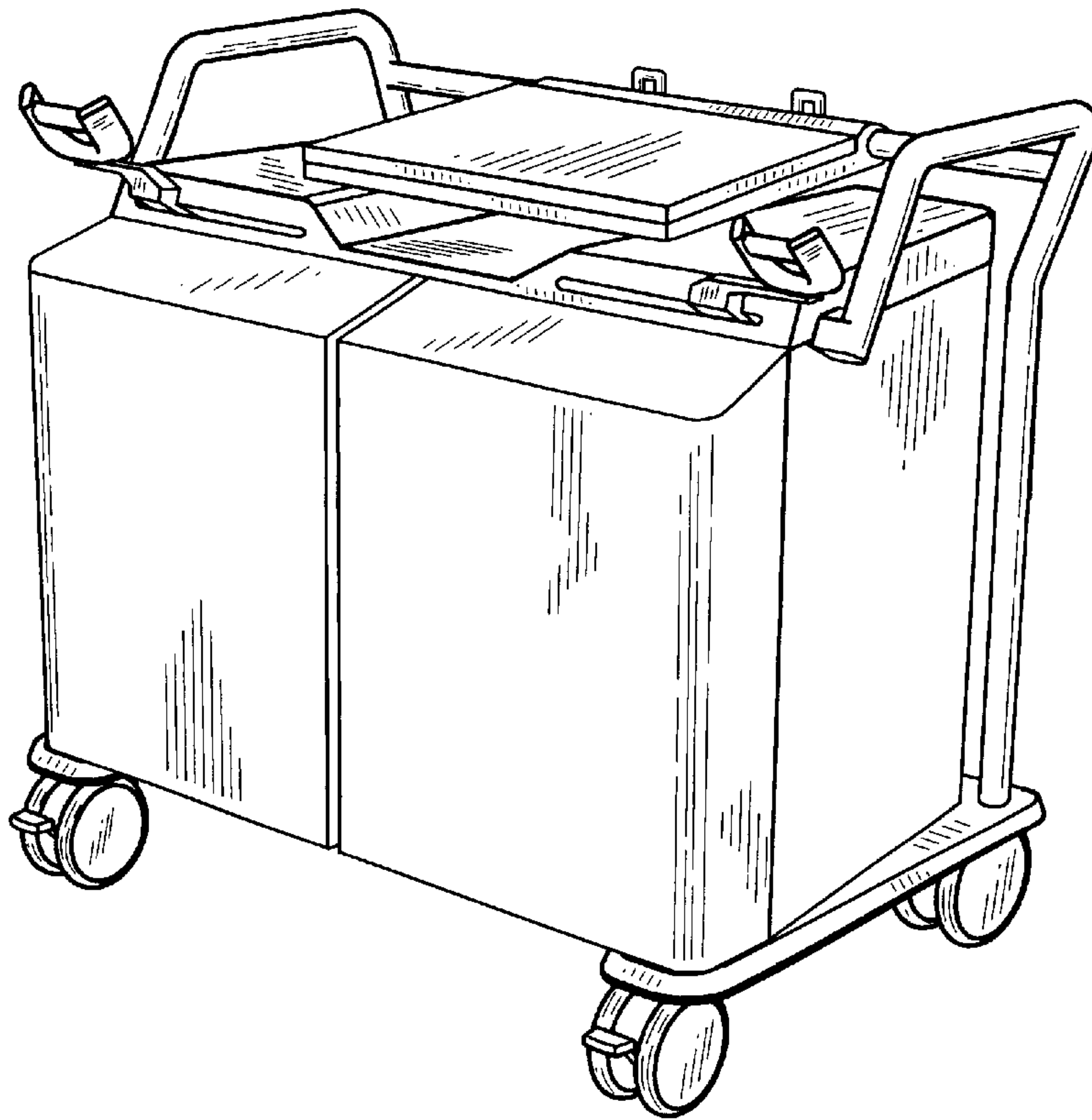


FIG. 1

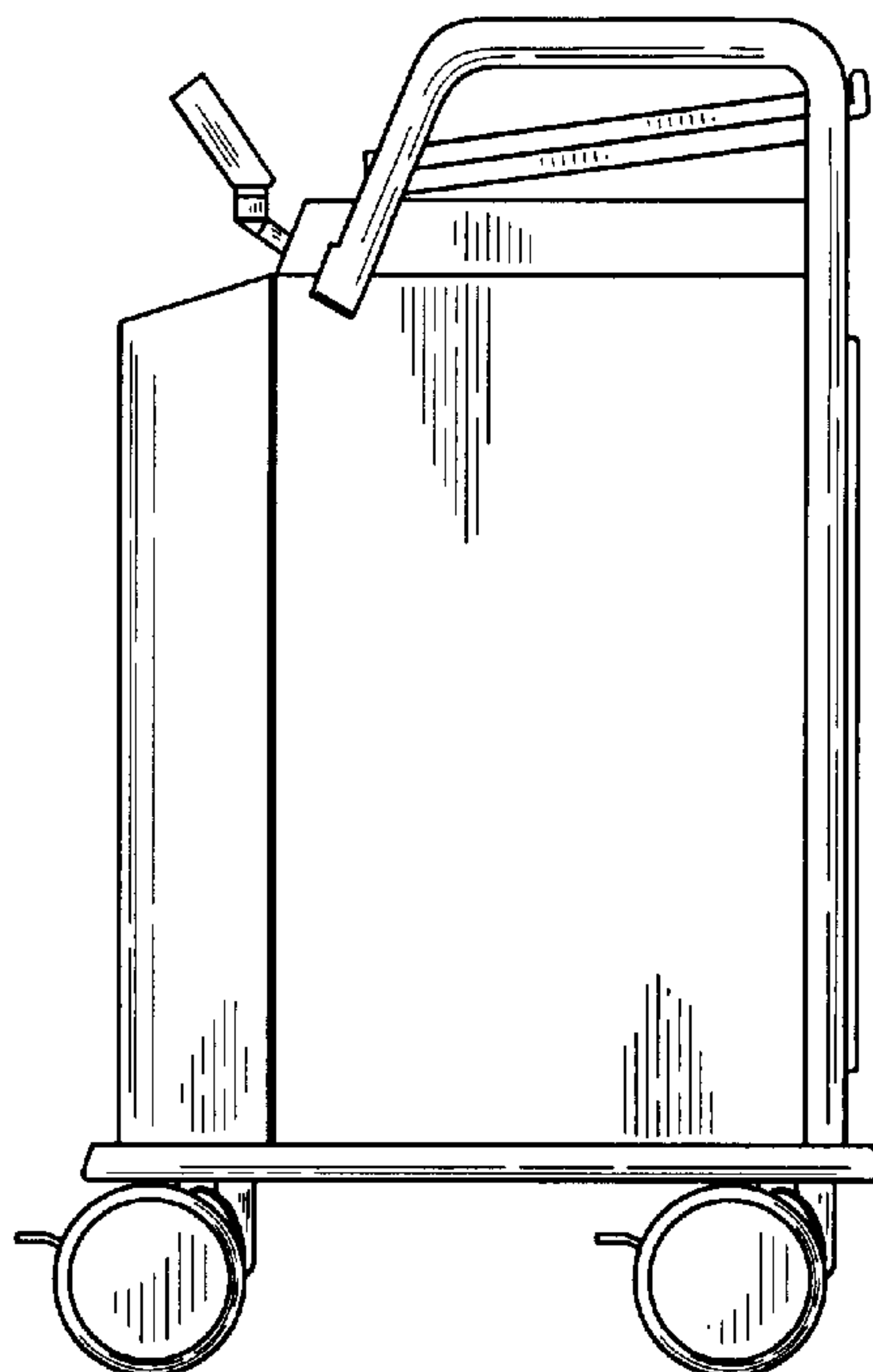
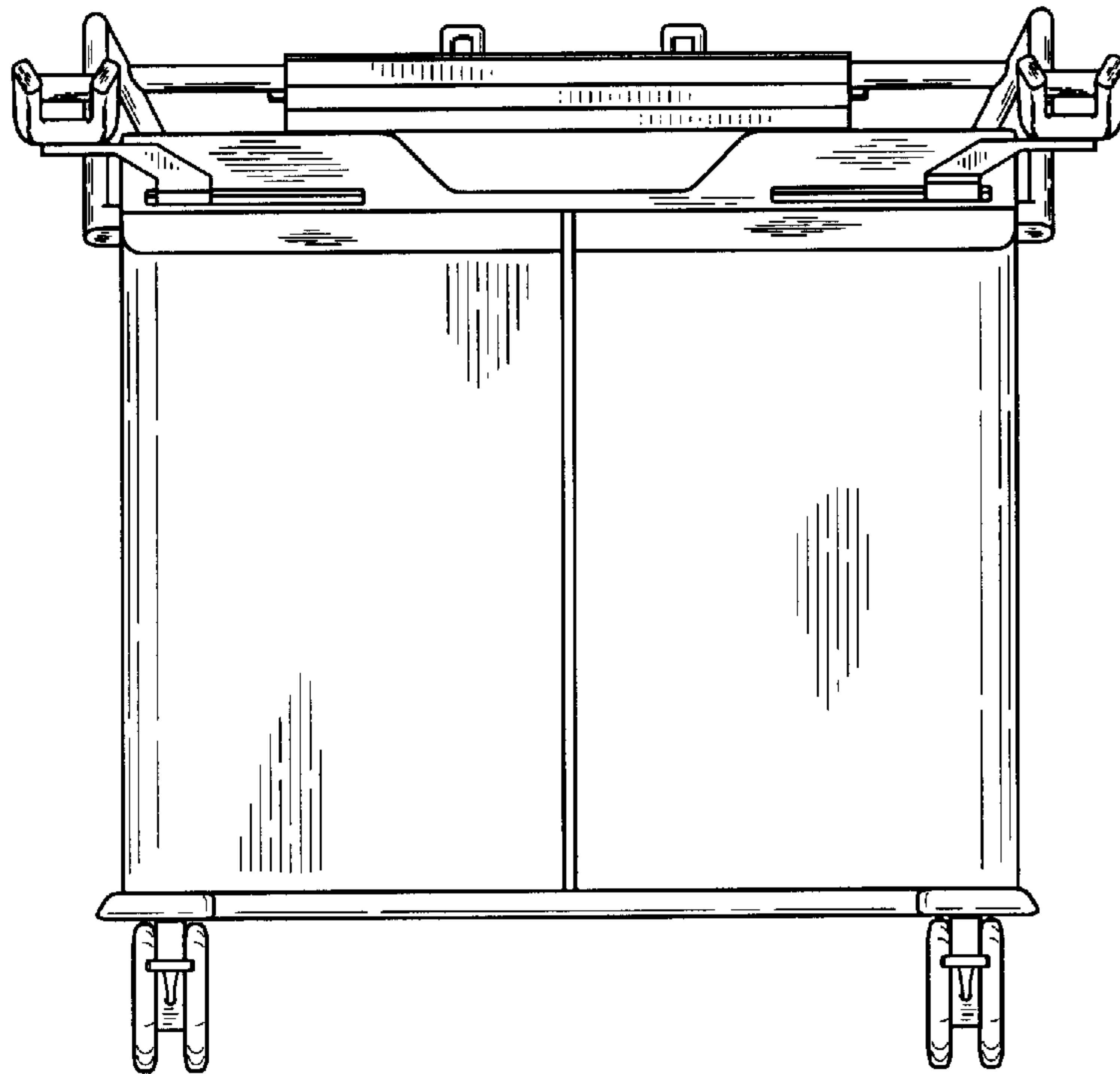
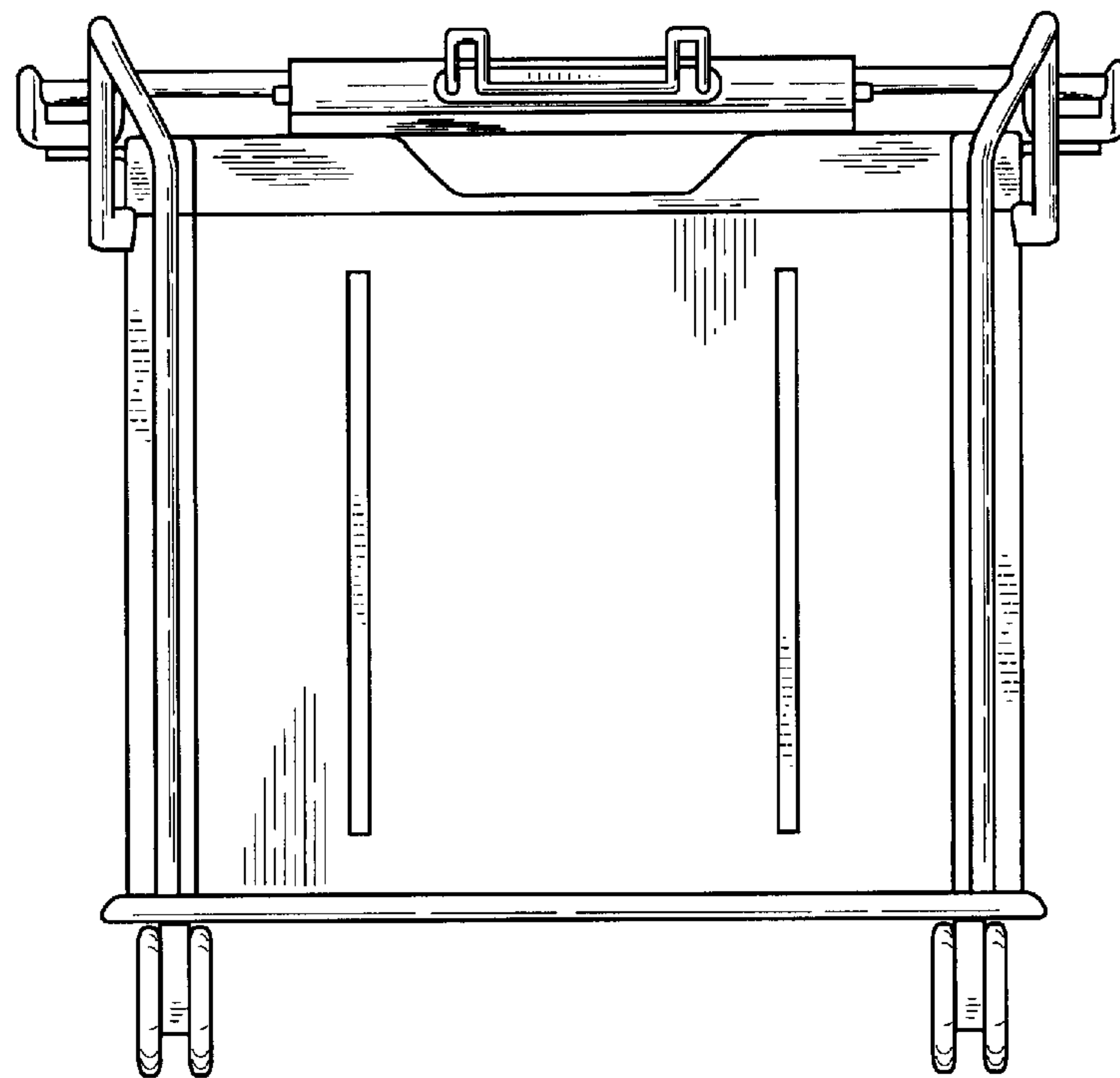


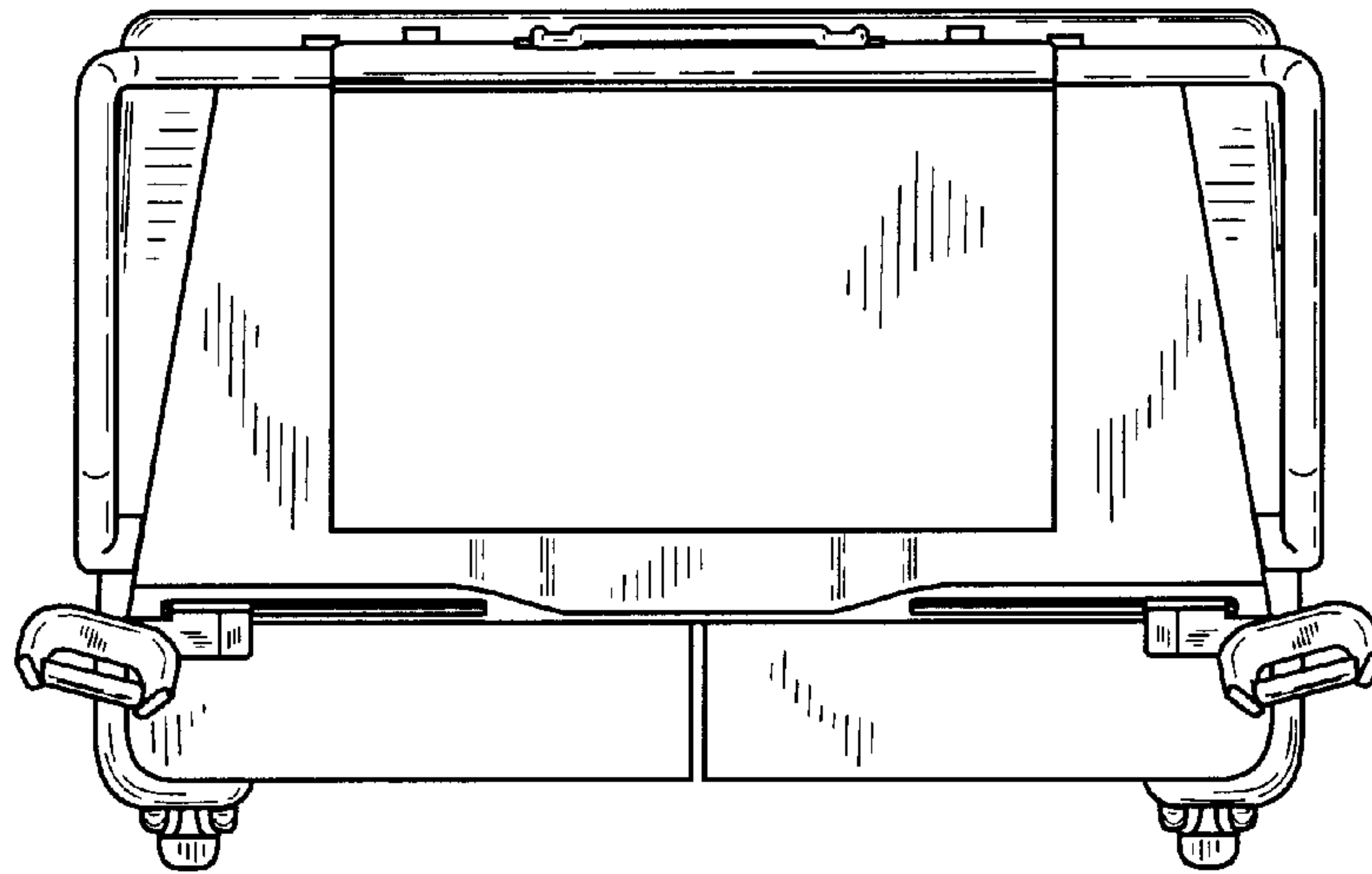
FIG. 2



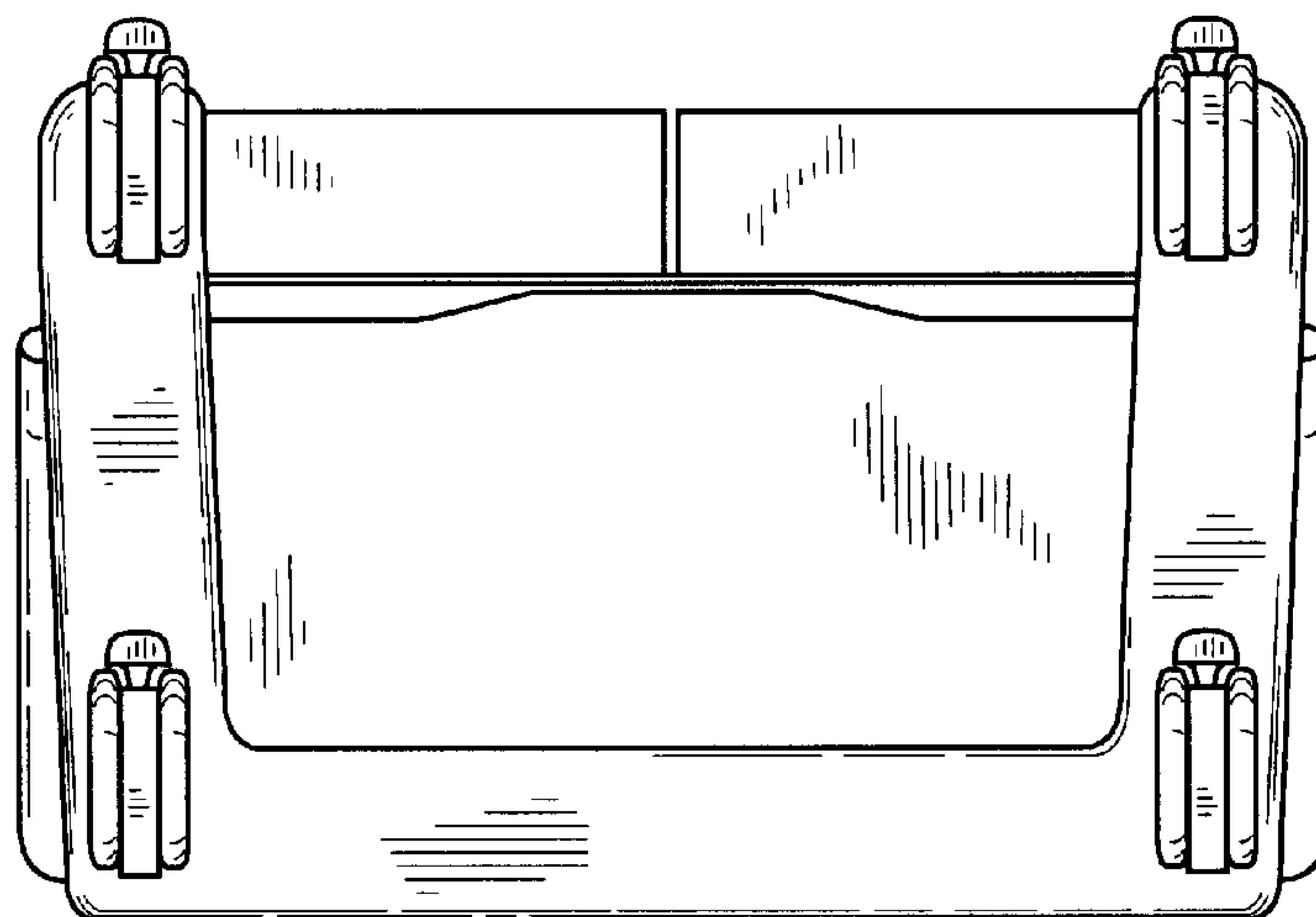
**FIG. 3**



**FIG. 4**



**FIG. 5**



**FIG. 6**

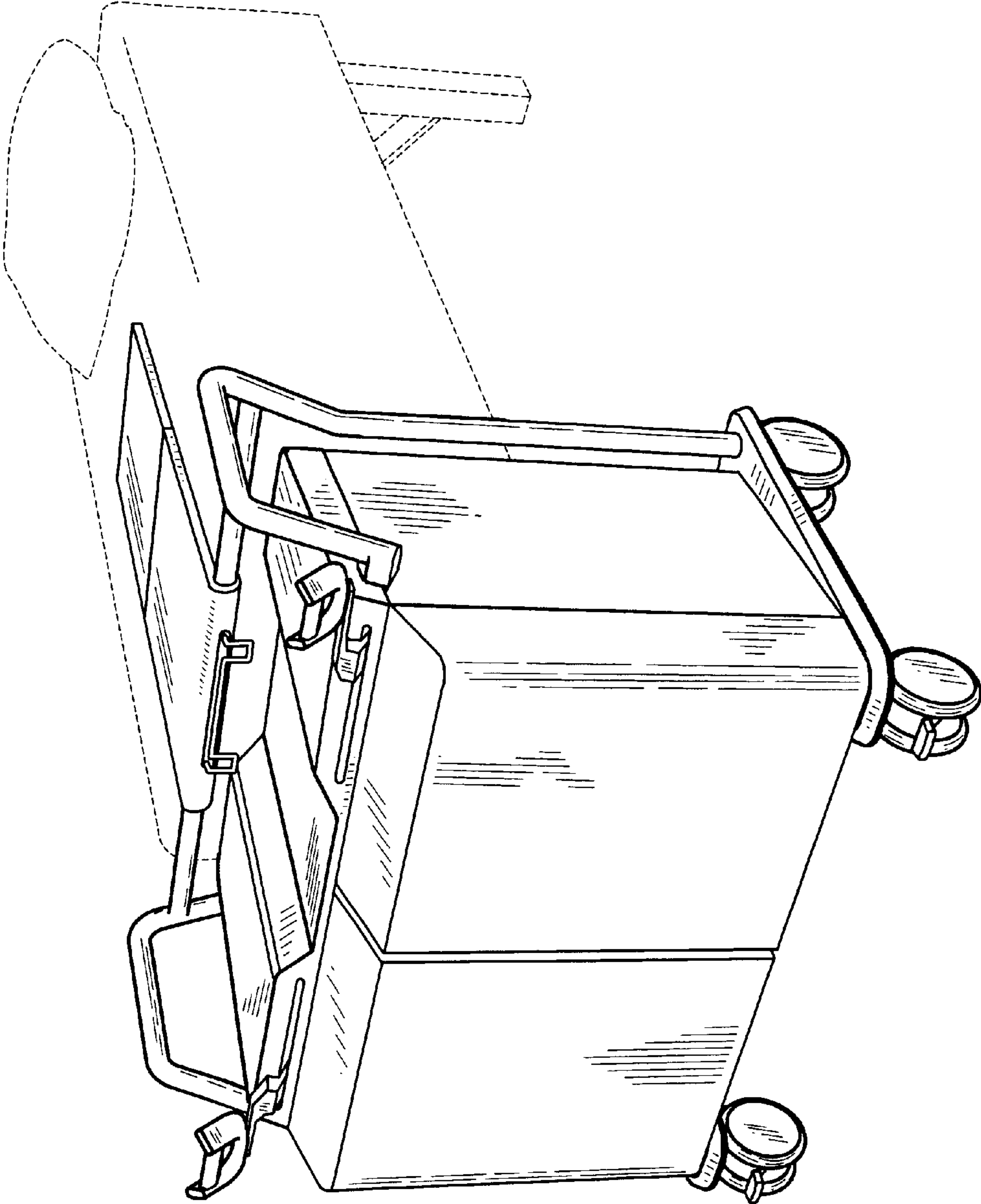


FIG. 7



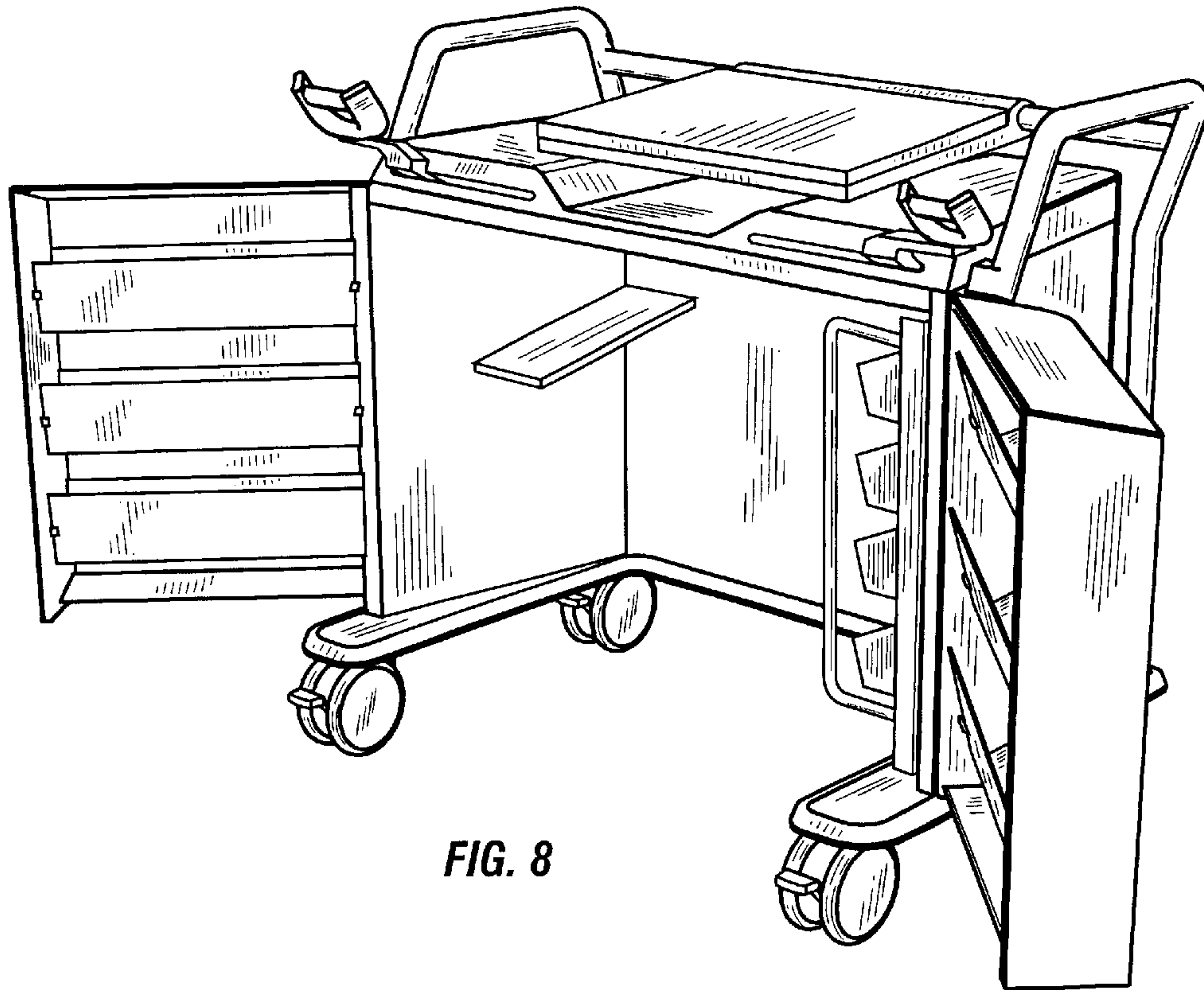


FIG. 8

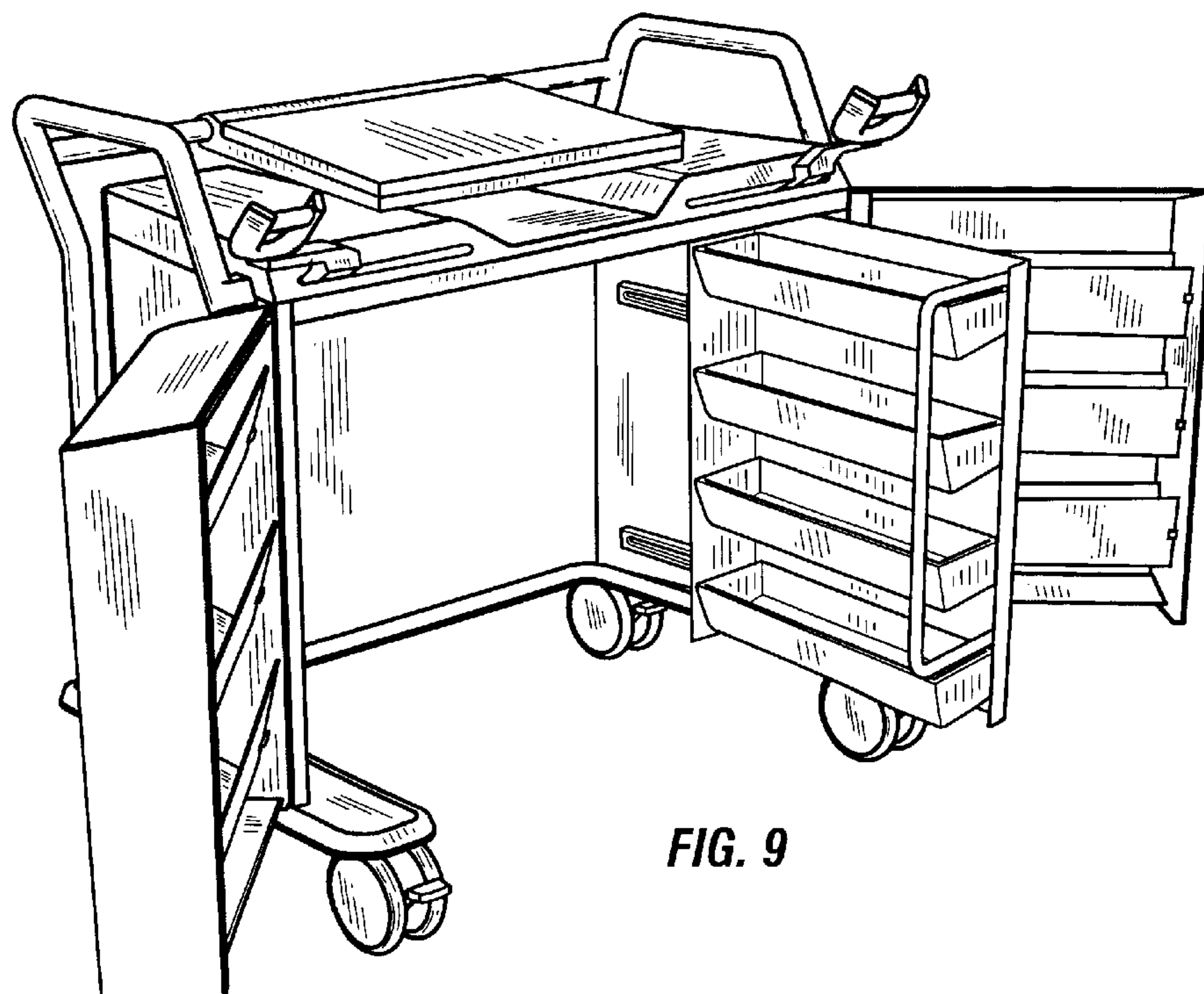


FIG. 9