



US00D512139S

(12) **United States Design Patent**
Hidalgo

(10) **Patent No.:** **US D512,139 S**

(45) **Date of Patent:** **** Nov. 29, 2005**

(54) **COMBINATION CEILING FAN AND LIGHT FIXTURE**

Primary Examiner—Lisa Lichtenstein
(74) *Attorney, Agent, or Firm*—Baker & McKenzie LLP

(75) **Inventor:** **Rolando Hidalgo**, Orange, CA (US)

(57) **CLAIM**

(73) **Assignee:** **Minka Lighting, Inc.**, Corona, CA (US)

The ornamental design for the combination ceiling fan and light fixture, as shown and described.

(**) **Term:** **14 Years**

DESCRIPTION

(21) **Appl. No.:** **29/207,132**

FIG. 1 is a perspective view from below of a combination ceiling fan and light fixture in accordance with my design; FIG. 2 is an enlarged perspective view from below of the combination ceiling fan and light fixture in accordance with my design;

(22) **Filed:** **Jun. 8, 2004**

(51) **LOC (8) Cl.** **23-04**

(52) **U.S. Cl.** **D23/377**

(58) **Field of Search** D23/377, 379,
D23/385, 411, 413; D26/59, 72, 81-86;
416/5; 392/364; 364/96

FIG. 3 is a reduced bottom plan view of the combination ceiling fan and light fixture in accordance with my design; FIG. 4 is a reduced top plan view of the combination ceiling fan and light fixture in accordance with my design; FIG. 5 is a front elevation view of the combination ceiling fan and light fixture in accordance with my design; and, FIG. 6 is a side elevation view of the combination ceiling fan and light fixture in accordance with my design.

(56) **References Cited**

U.S. PATENT DOCUMENTS

D428,983 S	*	8/2000	Lee	D23/377
D476,728 S	*	7/2003	Gajewski	D23/377
D478,974 S	*	8/2003	Hidalgo	D23/377

FIGS. 5 and 6 are identical except for the positioning of the fan blades.

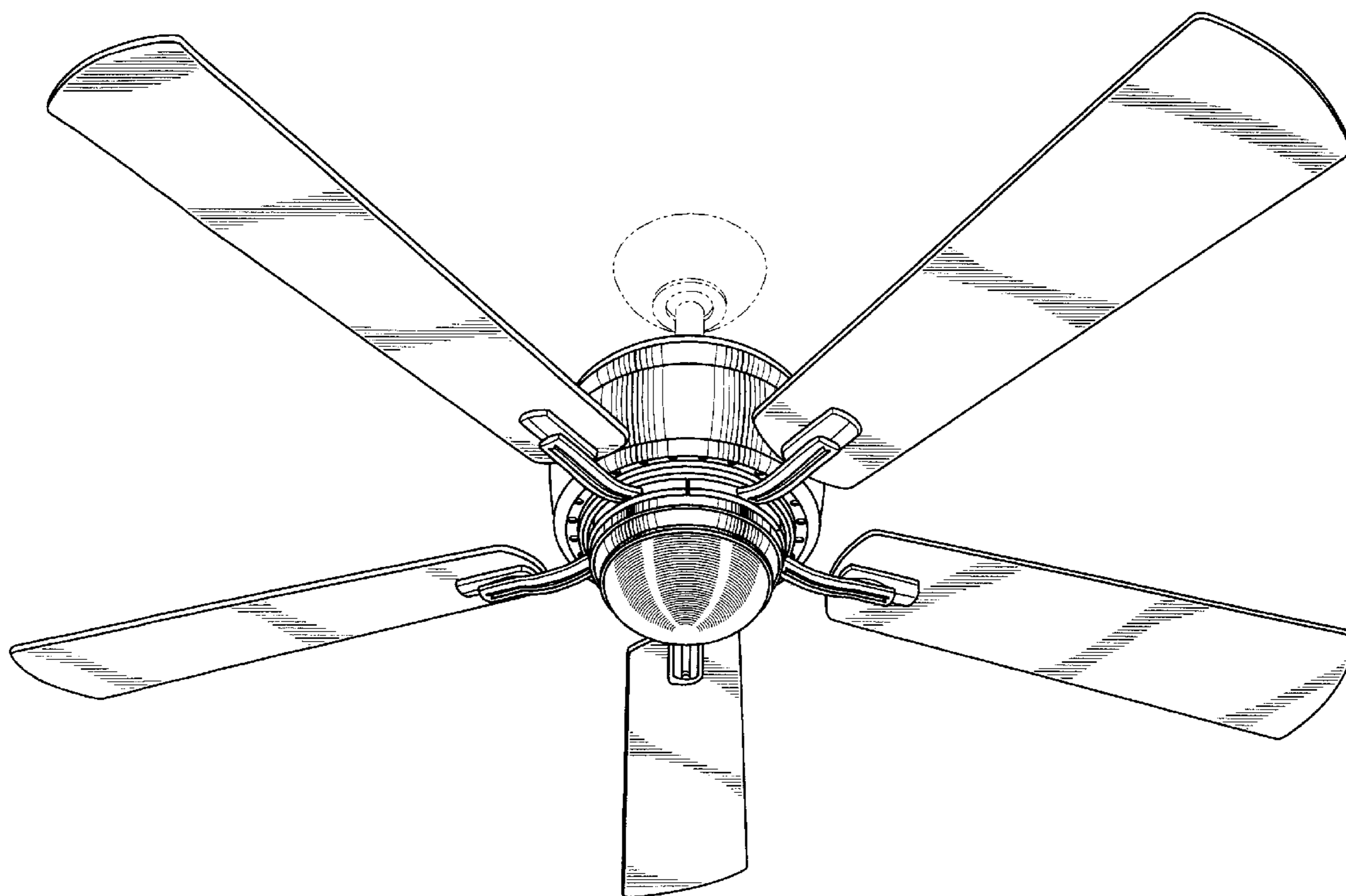
OTHER PUBLICATIONS

Minka Aire 2004; pp. 16-17, Jan. 2004, Minka Lighting, Inc. USA.

The broken lines showing environmental structure are for illustrative purposes and form no part of the claimed design. In FIG. 2, the fan blades are shown broken away to indicate indeterminate length.

* cited by examiner

1 Claim, 6 Drawing Sheets



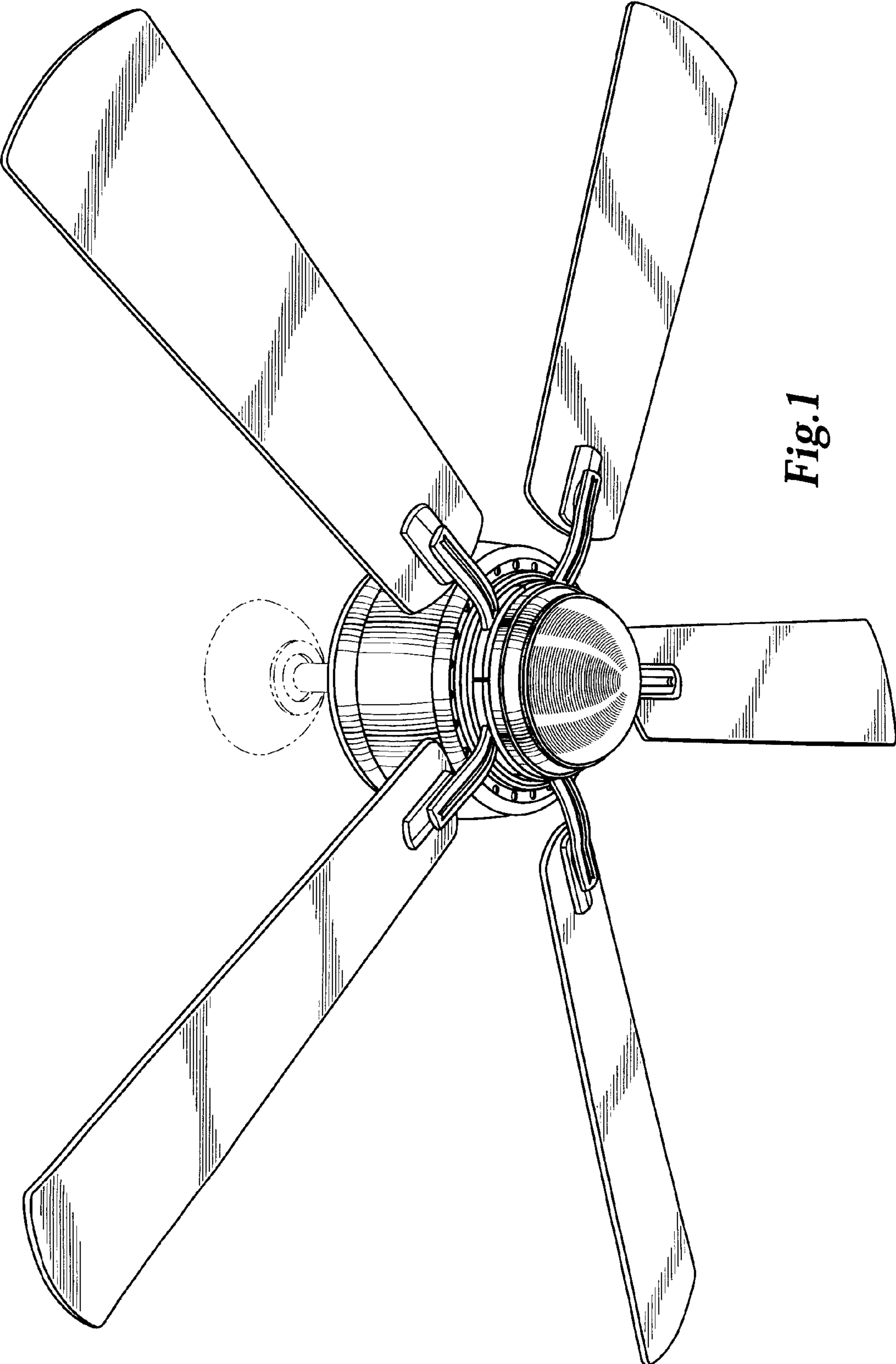


Fig. 1

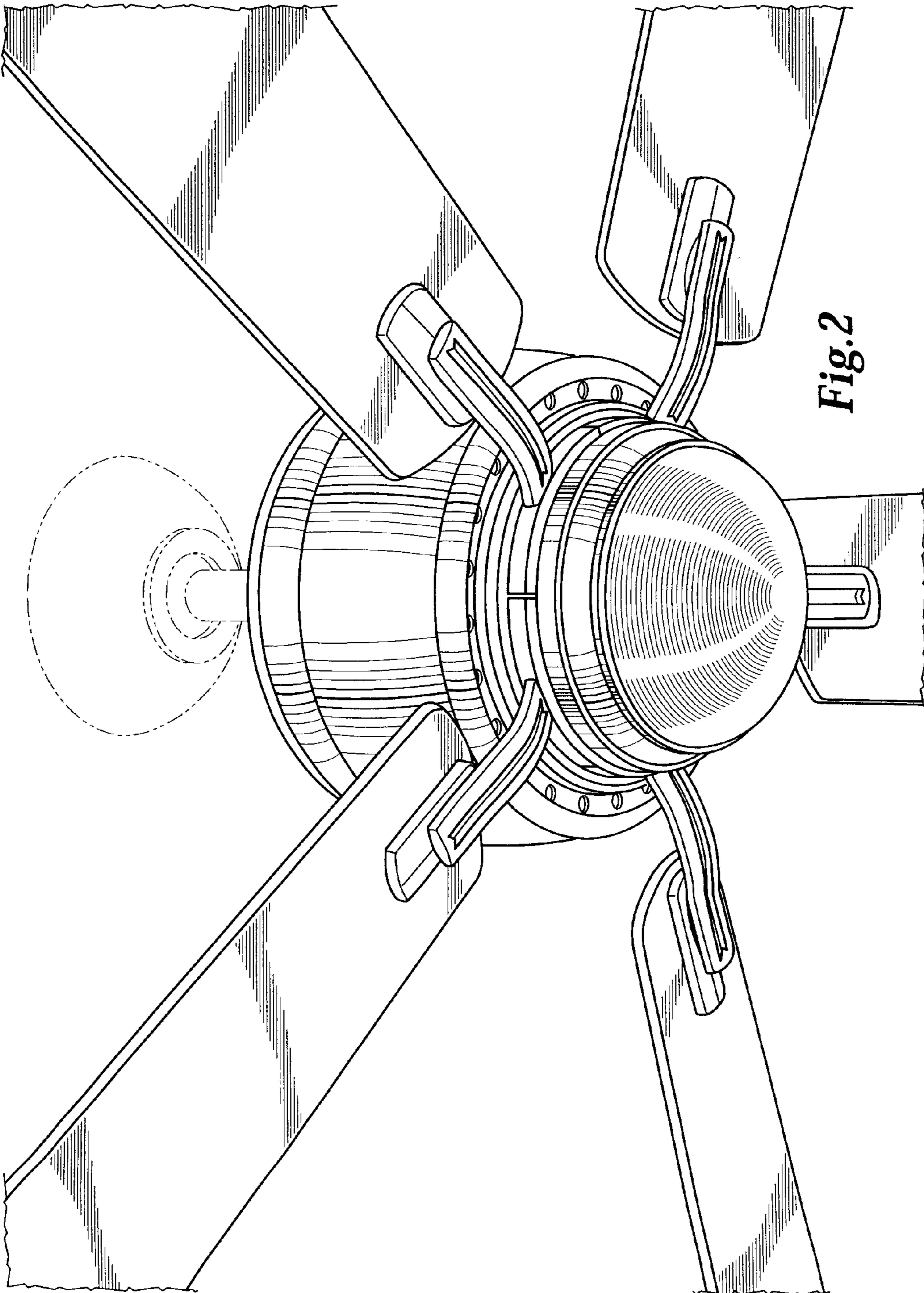


Fig. 2

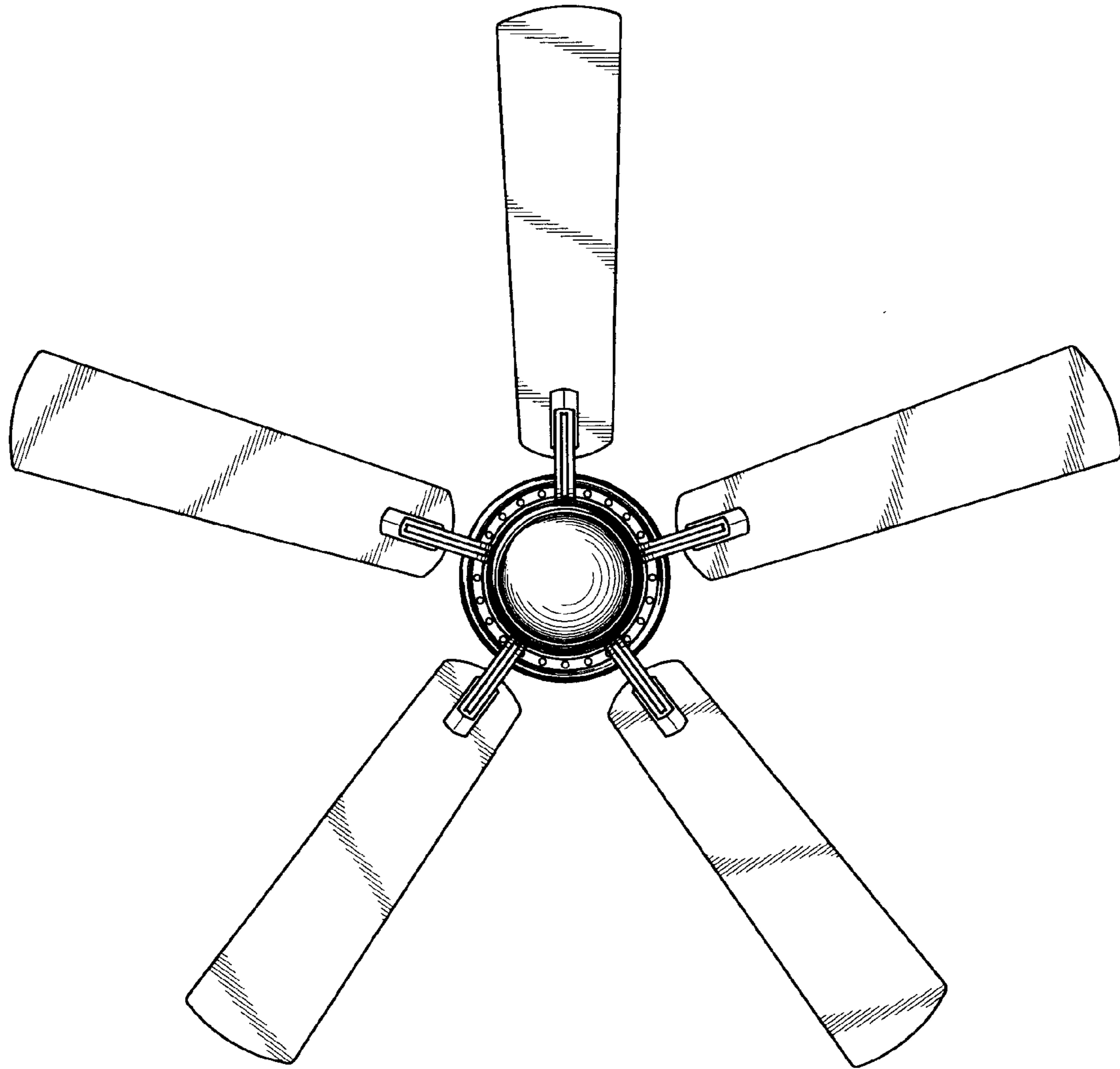


Fig.3

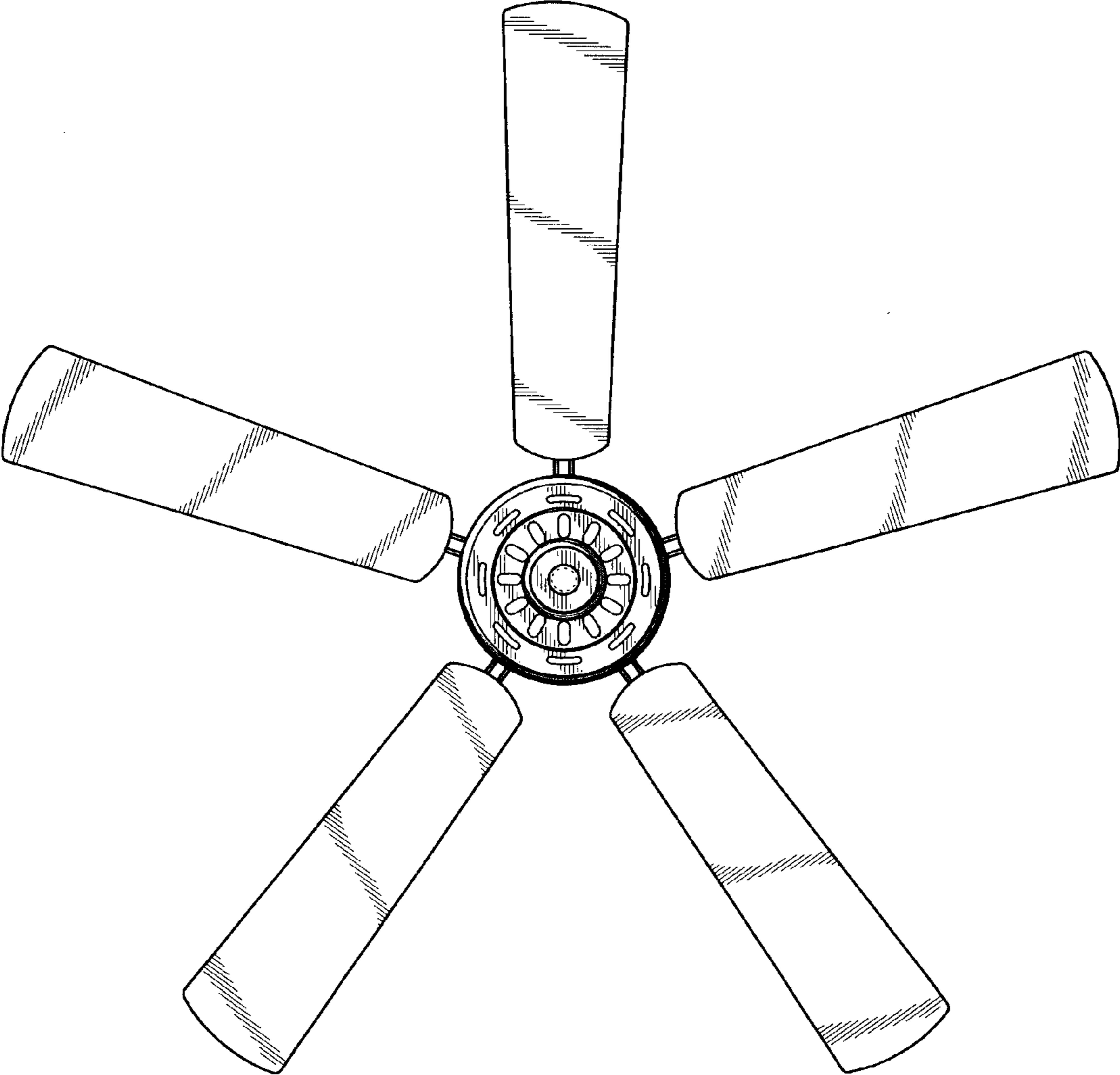


Fig.4

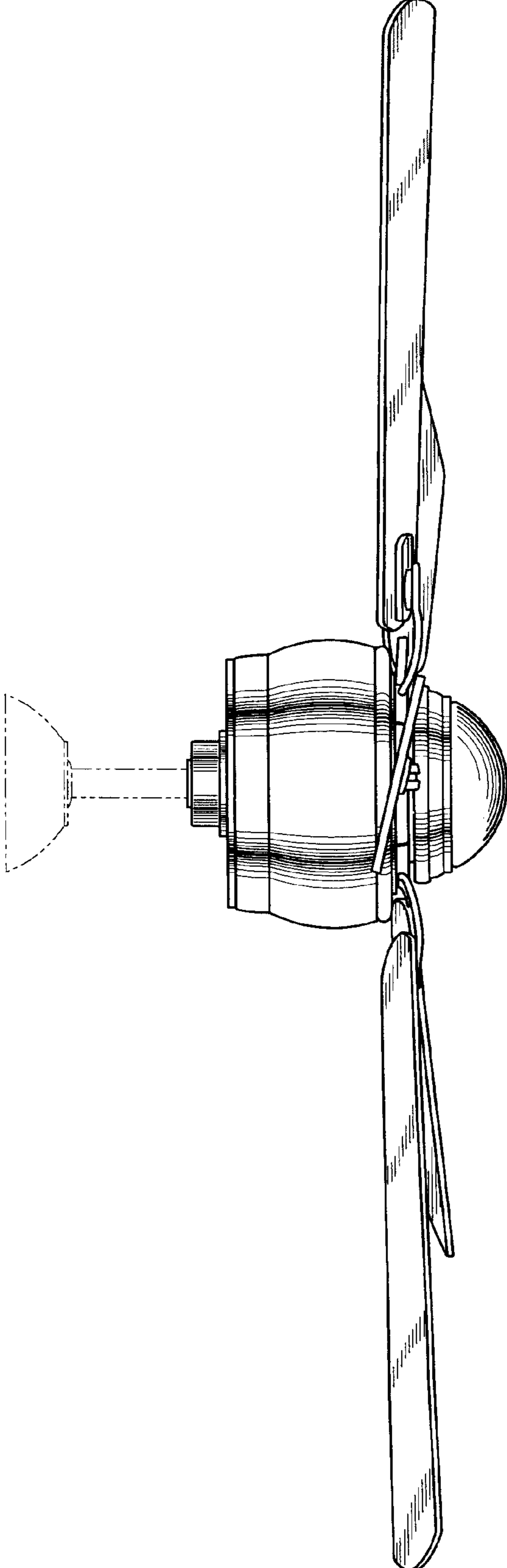


Fig.5

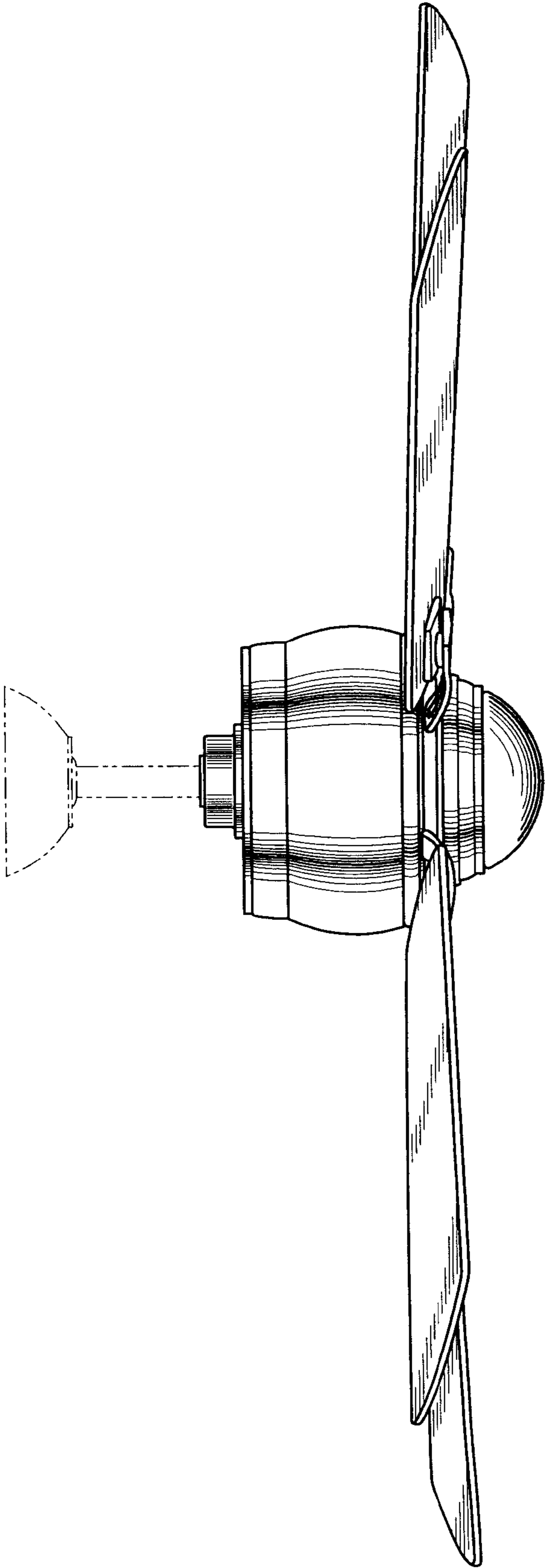


Fig.6