



US00D512138S

(12) **United States Design Patent**
Clymer

(10) **Patent No.: US D512,138 S**

(45) **Date of Patent: ** Nov. 29, 2005**

(54) **INVERTED-MODEL-FORMULA-ONE-RACE-CARS-OUTFITTED CEILING FAN**

D496,075 S * 9/2004 Byrne D21/550

* cited by examiner

(76) Inventor: **Randolph Ben Clymer**, 1290 S. Santa Fe Ave., San Jacinto, CA (US) 92583

Primary Examiner—Lisa Lichtenstein

(74) *Attorney, Agent, or Firm*—Loyal McKinley Hanson

(**) Term: **14 Years**

(57) **CLAIM**

(21) Appl. No.: **29/206,994**

The ornamental design for an inverted-model-formula-one-race-cars-outfitted ceiling fan, as shown.

(22) Filed: **Jun. 7, 2004**

DESCRIPTION

(51) **LOC (8) Cl.** **23-04**

(52) **U.S. Cl.** **D23/377**

(58) **Field of Search** D23/377, 379,
D23/385, 411, 413; D21/550, 549; D12/92,
91; 416/5; 392/364

FIG. 1 of the drawings is a perspective view of a ceiling fan embodying the design of my invention as viewed looking up from a position underneath the ceiling fan;

FIG. 2 is a top plan view of the upwardly facing side of the ceiling fan;

FIG. 3 is an elevation view of the front side;

FIG. 4 is an elevation view of the left side;

FIG. 5 is an elevation view of the right side;

FIG. 6 is an elevation view of the back side; and,

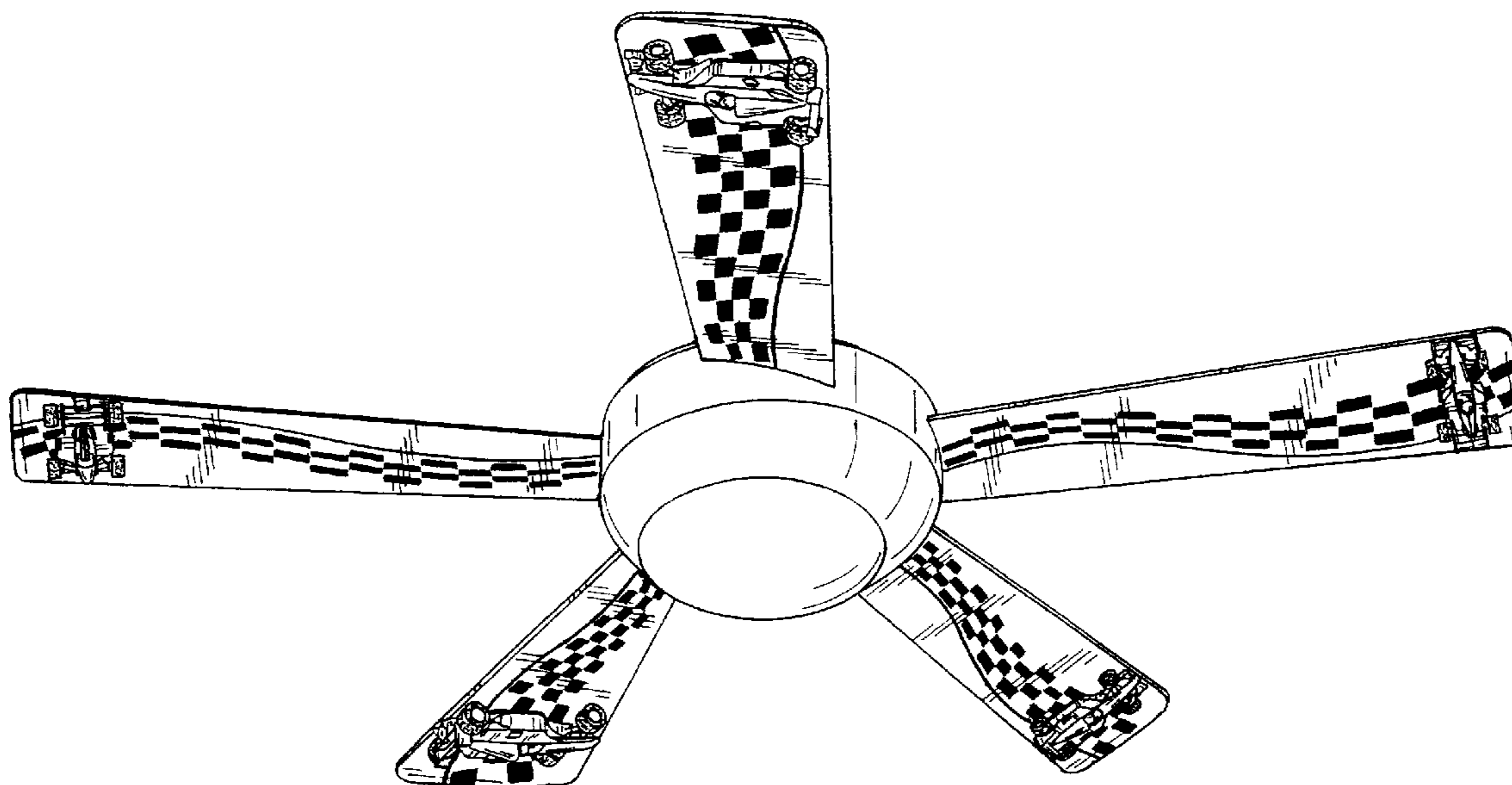
FIG. 7 is a bottom plan view of the downwardly facing side.

(56) **References Cited**

U.S. PATENT DOCUMENTS

D463,856 S * 10/2002 Leslie D23/382
D476,728 S * 7/2003 Gajewski D23/377
D478,380 S * 8/2003 Clymer D23/377

1 Claim, 5 Drawing Sheets



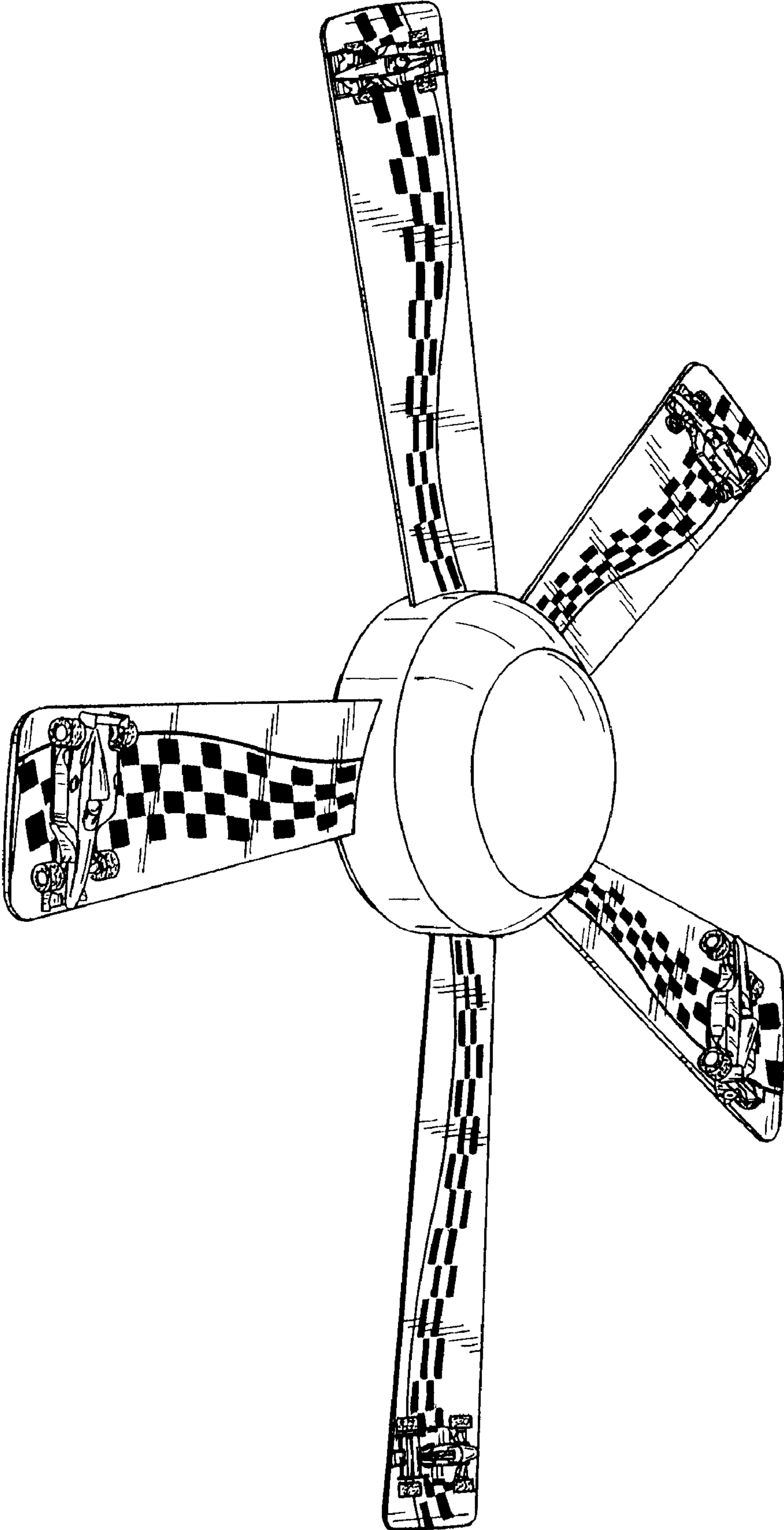
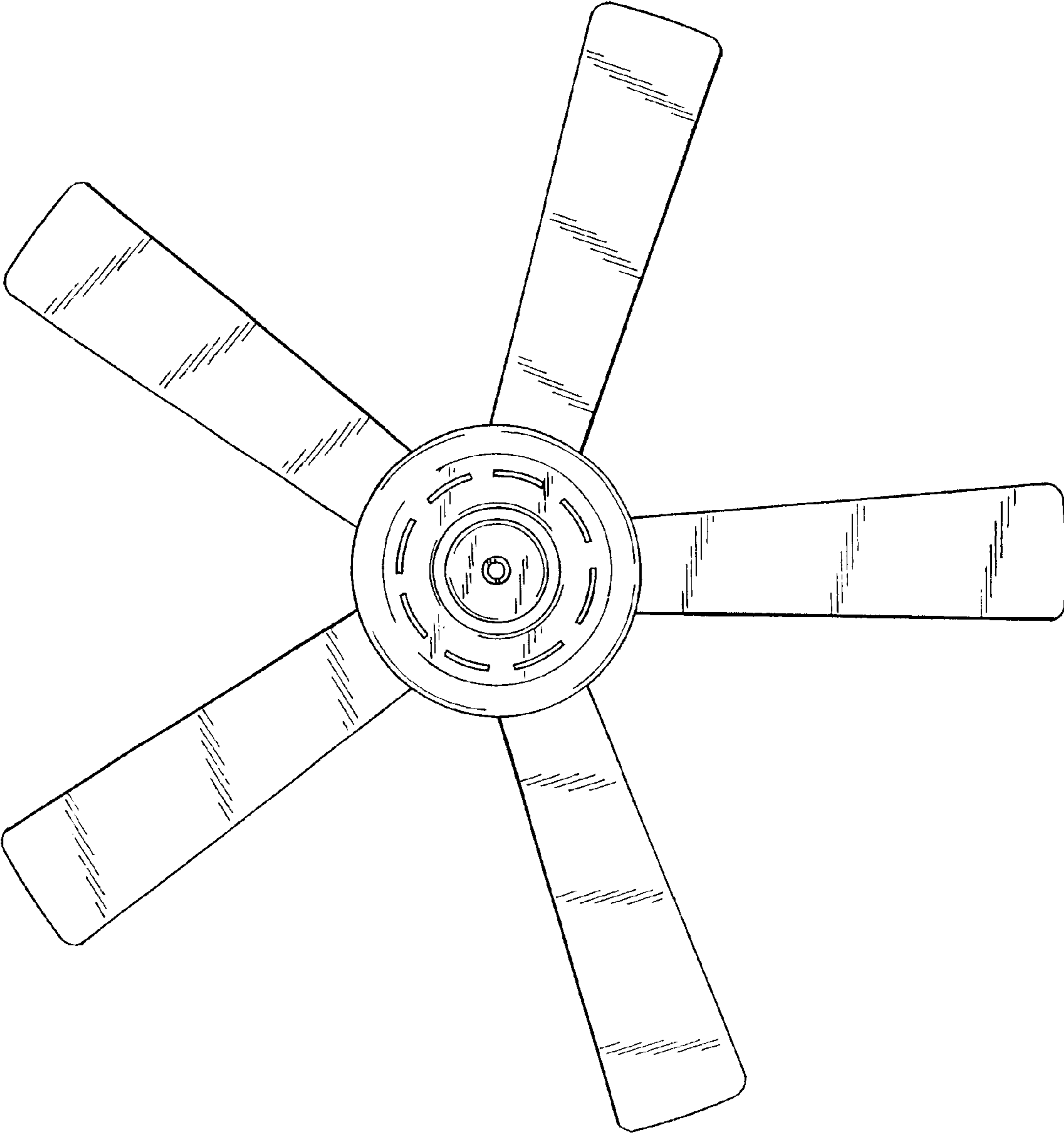


FIG. 1

FIG. 2



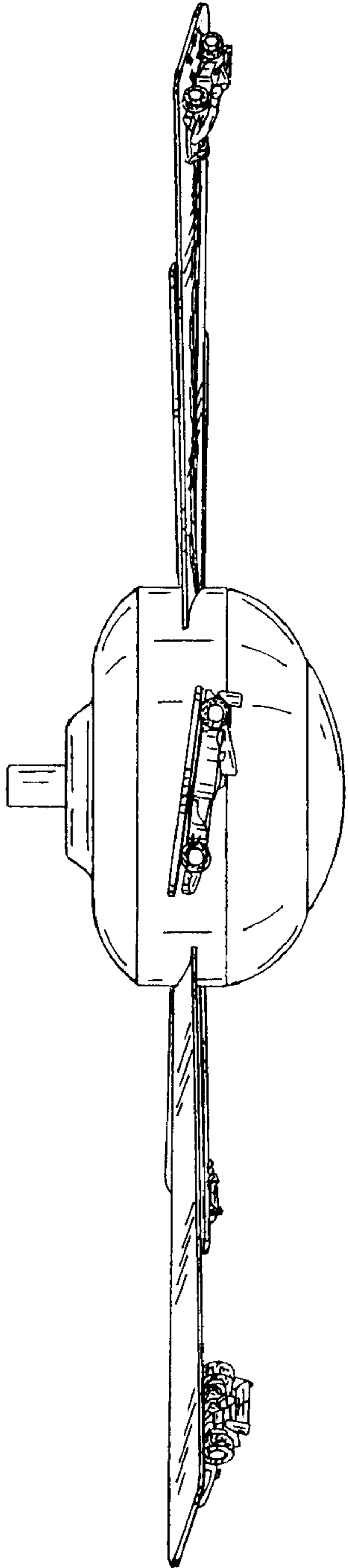


FIG. 3

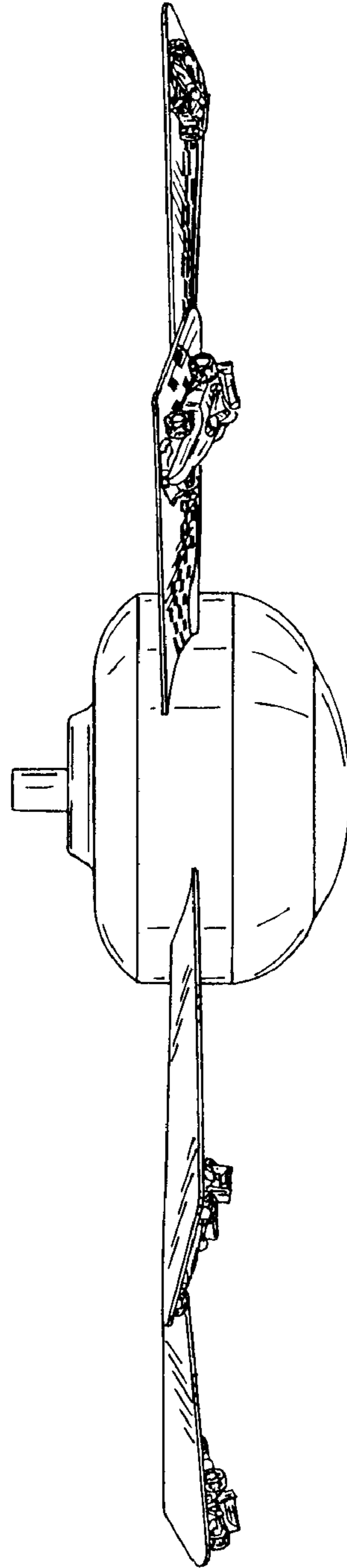


FIG. 6

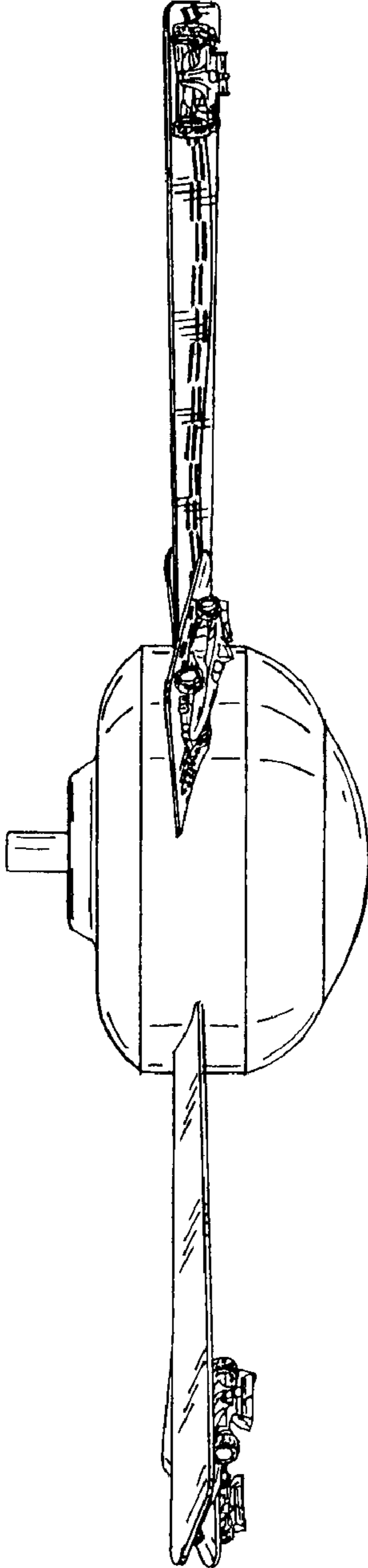


FIG. 4

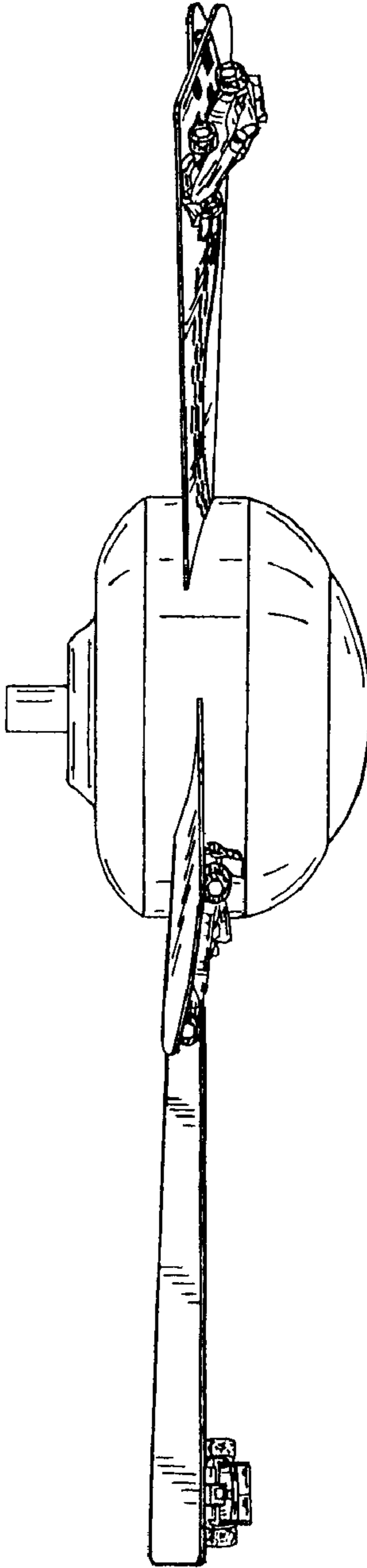


FIG. 5

FIG. 7

