



US00D512137S

(12) **United States Design Patent**  
**Chen**

(10) **Patent No.:** **US D512,137 S**  
(45) **Date of Patent:** **\*\* Nov. 29, 2005**

(54) **LADYBUG AROMATIC CONTAINER**

D489,440 S \* 5/2004 Anderson et al. .... D23/366

(76) **Inventor:** **Hsiang Mei Chen**, 25-1, Hua Xi Rd.,  
Da Liao Shiang, Kaohsiung Hsien (TW)

\* cited by examiner

(\*\*) **Term:** **14 Years**

*Primary Examiner*—Antoine Duval Davis  
*Assistant Examiner*—Sandra Snapp  
(74) *Attorney, Agent, or Firm*—Pro-Techtor International  
Services

(21) **Appl. No.:** **29/194,255**

(22) **Filed:** **Nov. 18, 2003**

(57) **CLAIM**

(51) **LOC (8) Cl.** ..... **23-04**

The ornamental design for a ladybug aromatic container, as shown and described.

(52) **U.S. Cl.** ..... **D23/367**

(58) **Field of Search** ..... 239/135, 136,  
239/58; 261/DIG. 17, DIG. 65; D23/356–369;  
392/390, 392; D21/392; 345/163; D14/403

**DESCRIPTION**

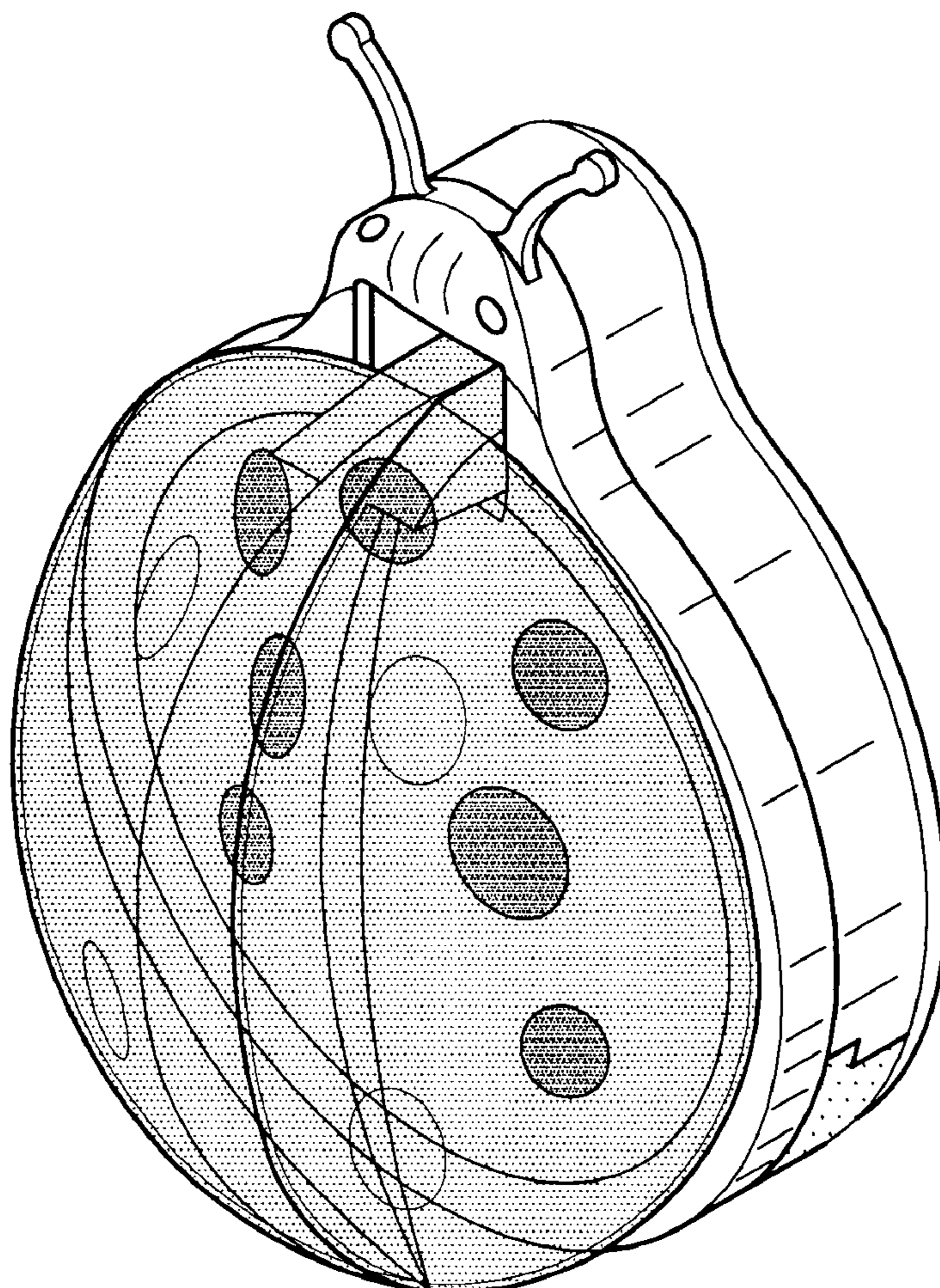
(56) **References Cited**

**U.S. PATENT DOCUMENTS**

- D423,489 S \* 4/2000 Pesco ..... D14/403
- D475,715 S \* 6/2003 Shah ..... D14/454
- D483,396 S \* 12/2003 Shah ..... D18/7
- D483,737 S \* 12/2003 Shah ..... D14/189
- D483,768 S \* 12/2003 Shah ..... D14/454
- D488,473 S \* 4/2004 Milinazzo et al. .... D14/403

FIG. 1 is a perspective view of a ladybug aromatic container showing my new design;  
FIG. 2 is a front view of the design;  
FIG. 3 is a rear view of the design;  
FIG. 4 is a left side view of the design;  
FIG. 5 is a right side view of the design;  
FIG. 6 is a top view of the design; and,  
FIG. 7 is a bottom view of the design.

**1 Claim, 2 Drawing Sheets**



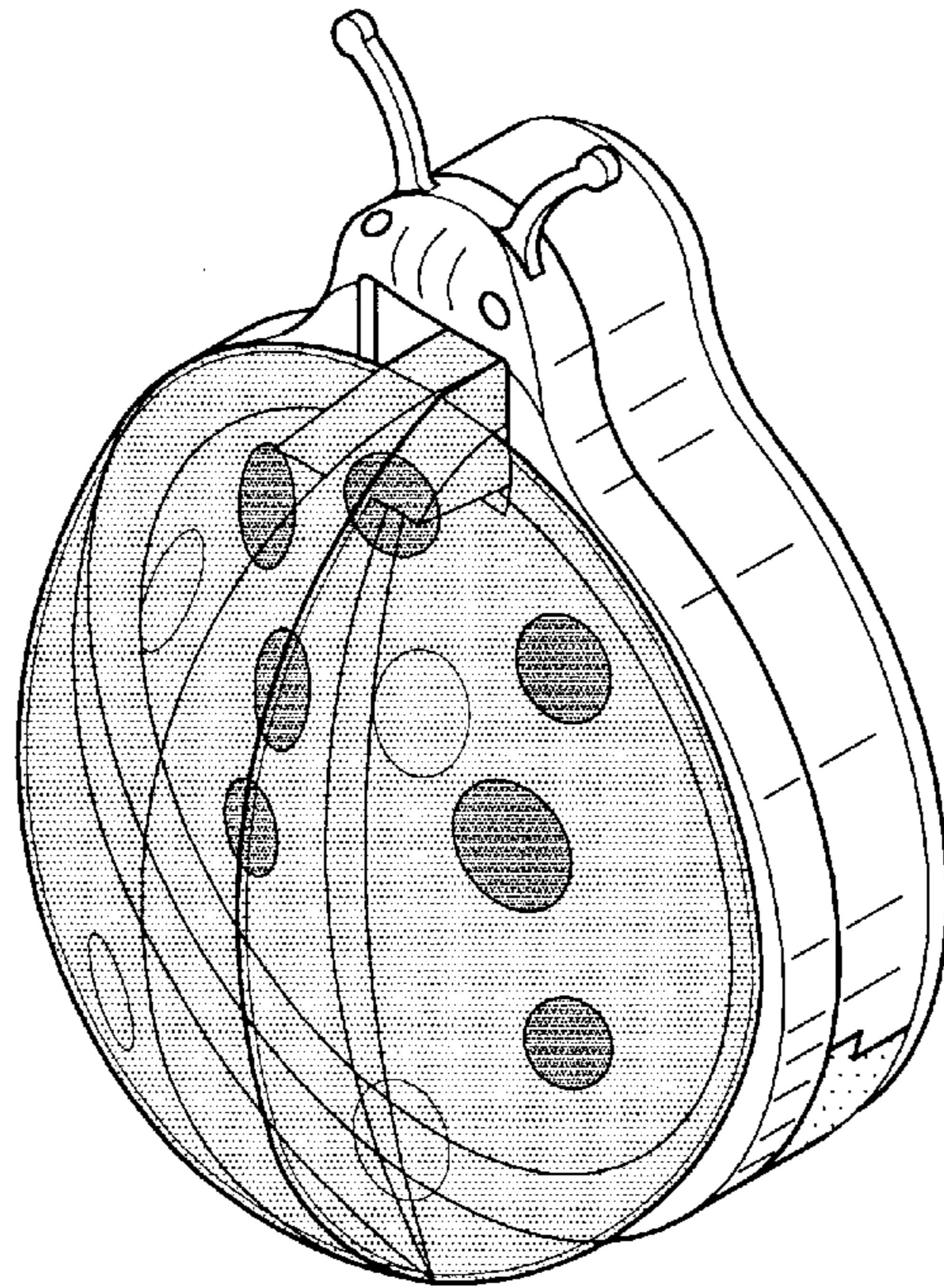


FIG. 1

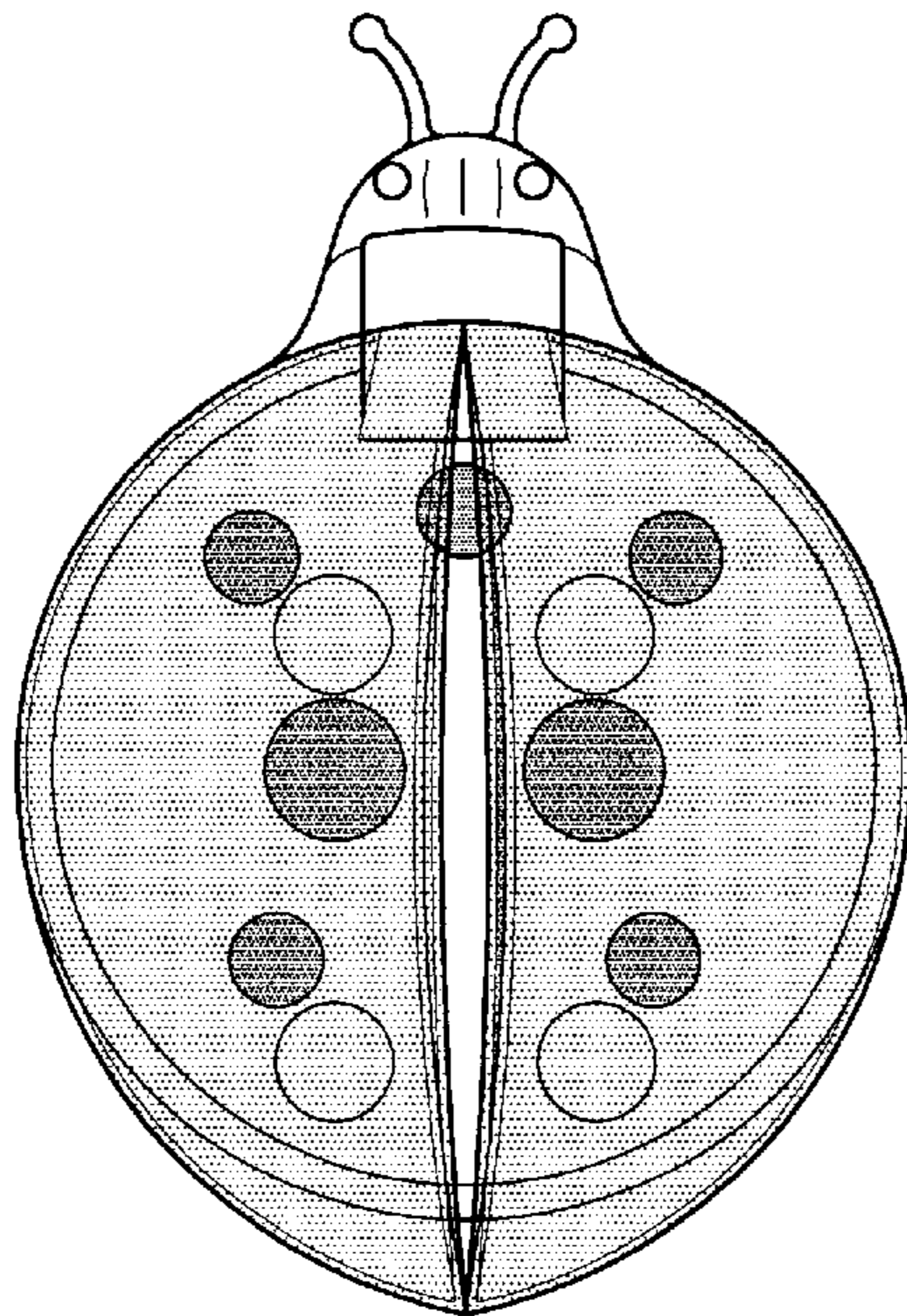


FIG. 2

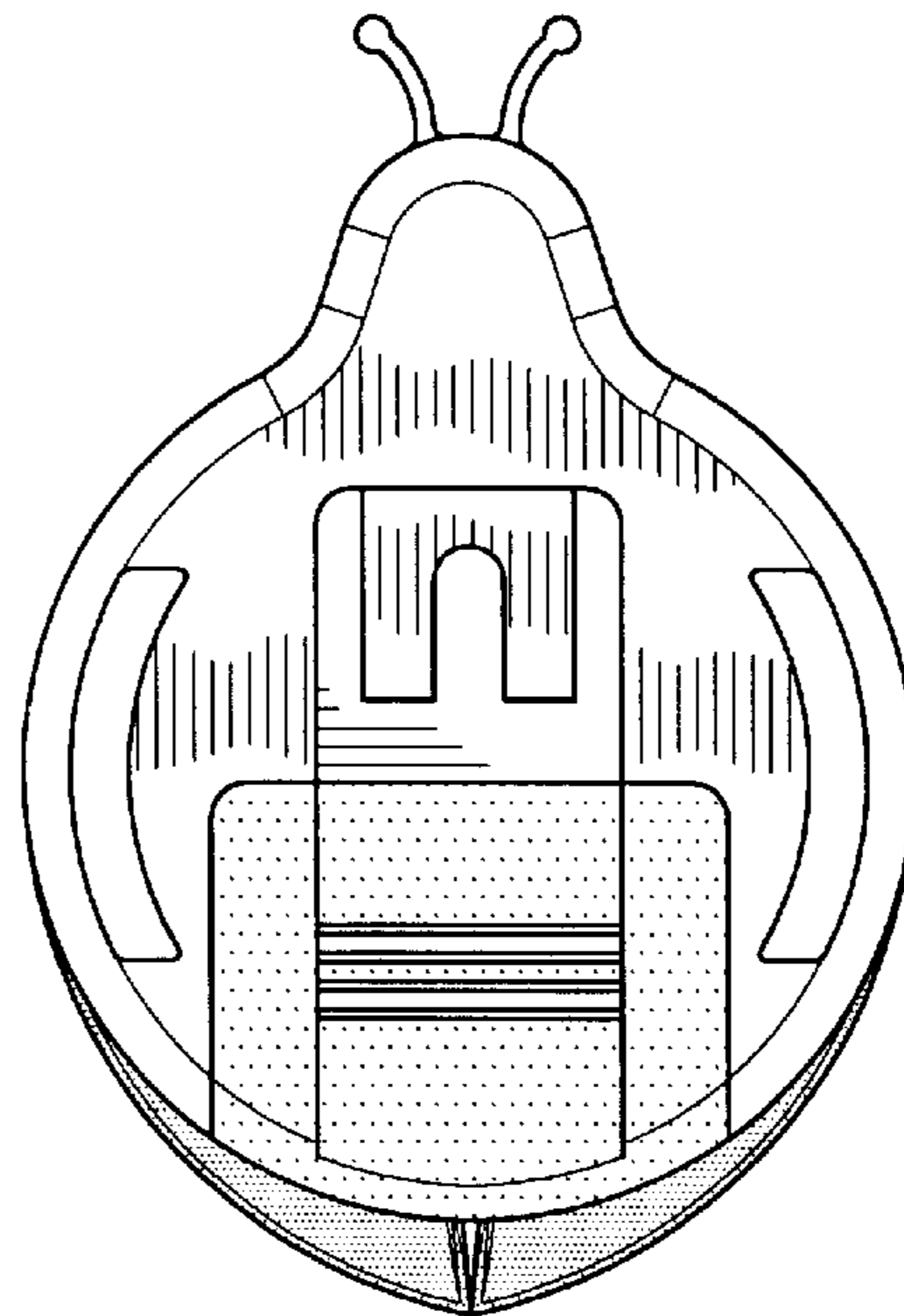


FIG. 3

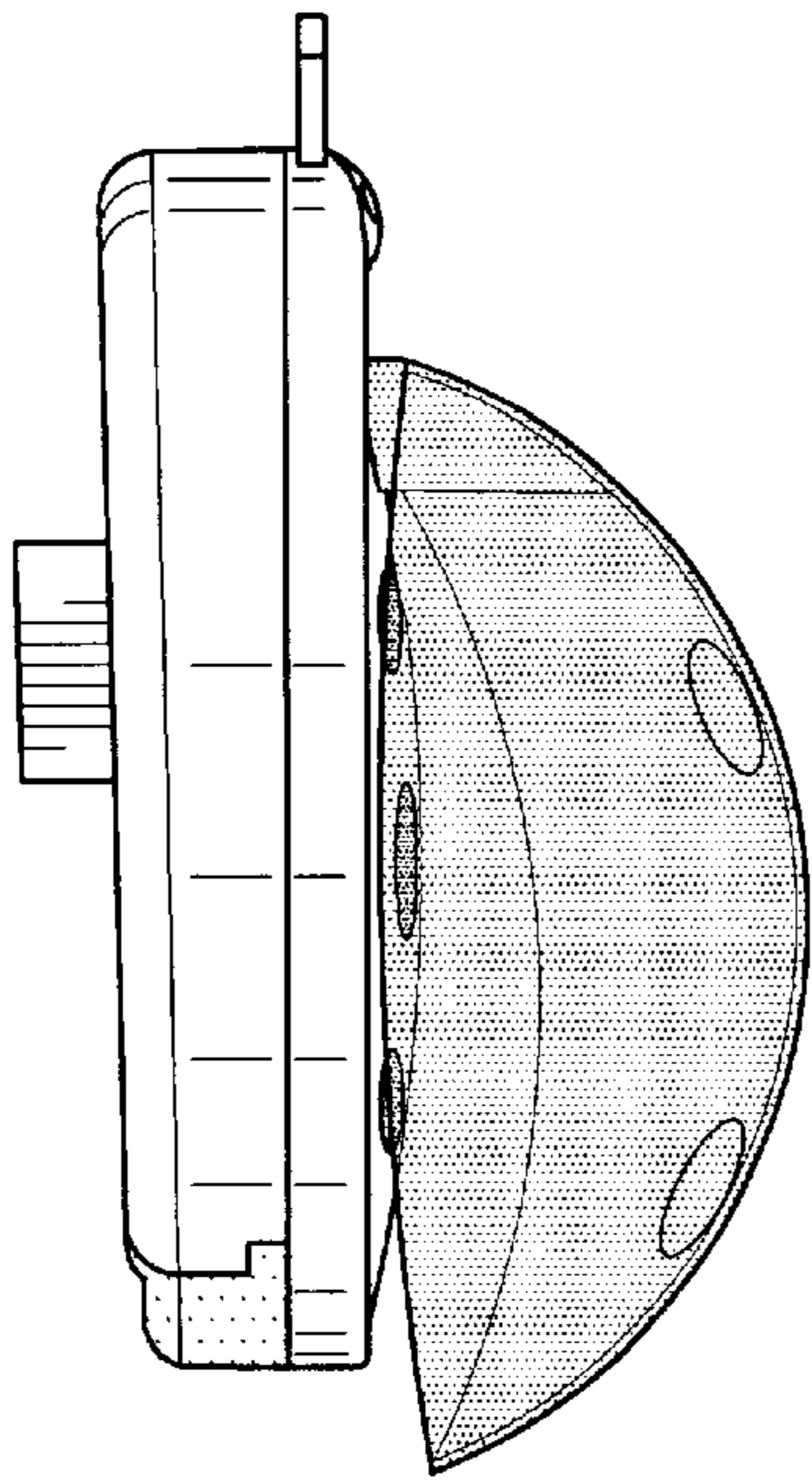


FIG. 4

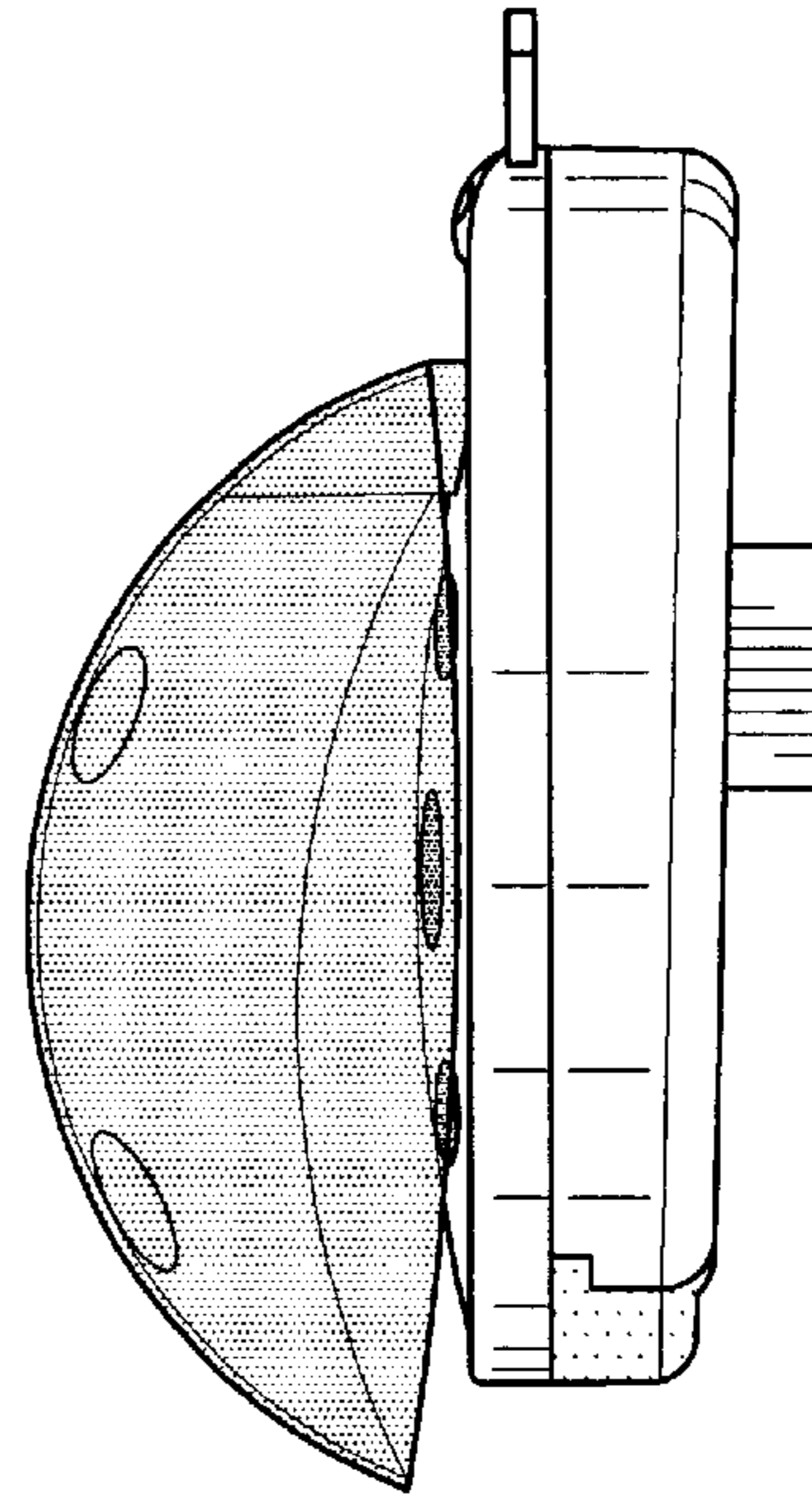


FIG. 5

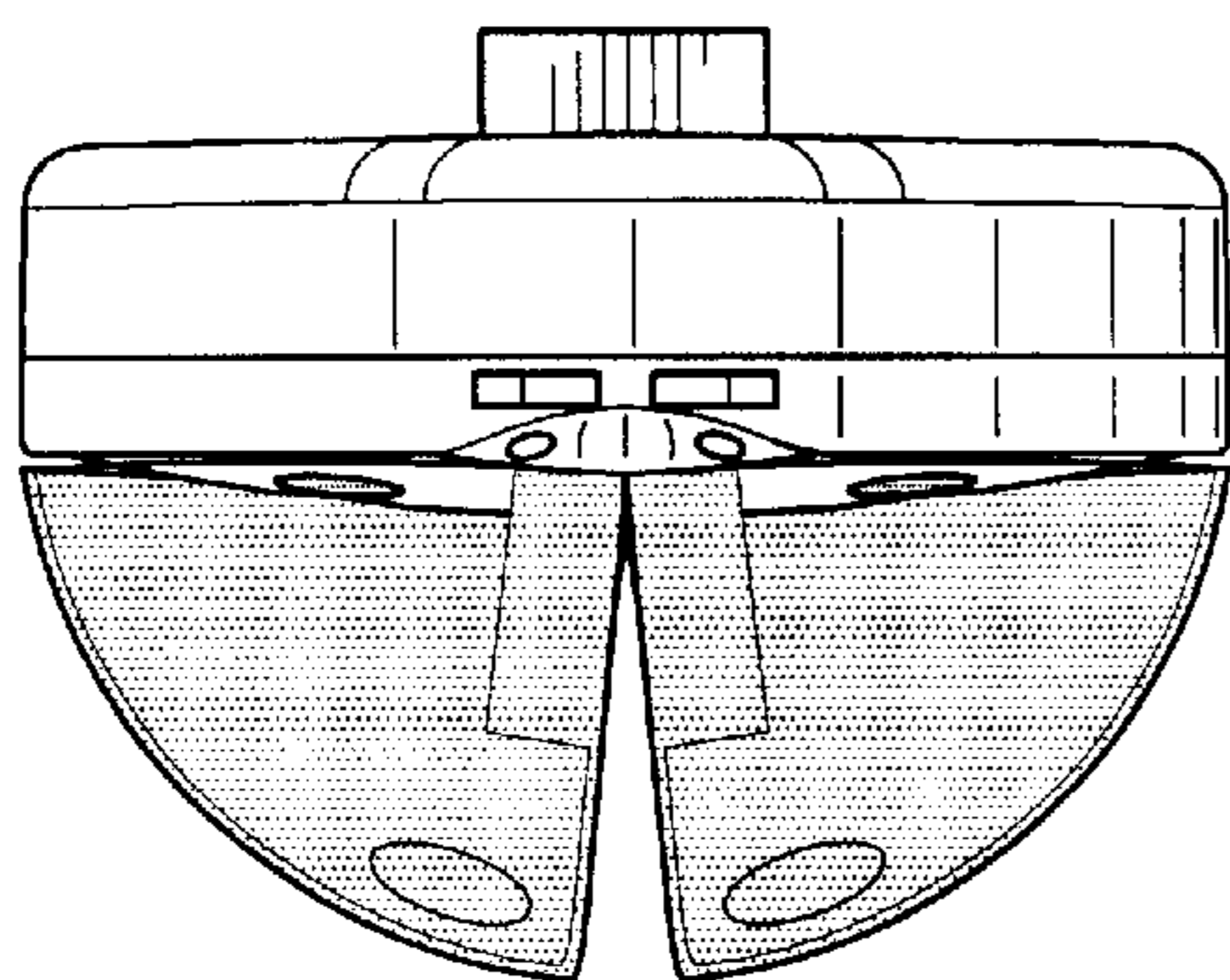


FIG. 6

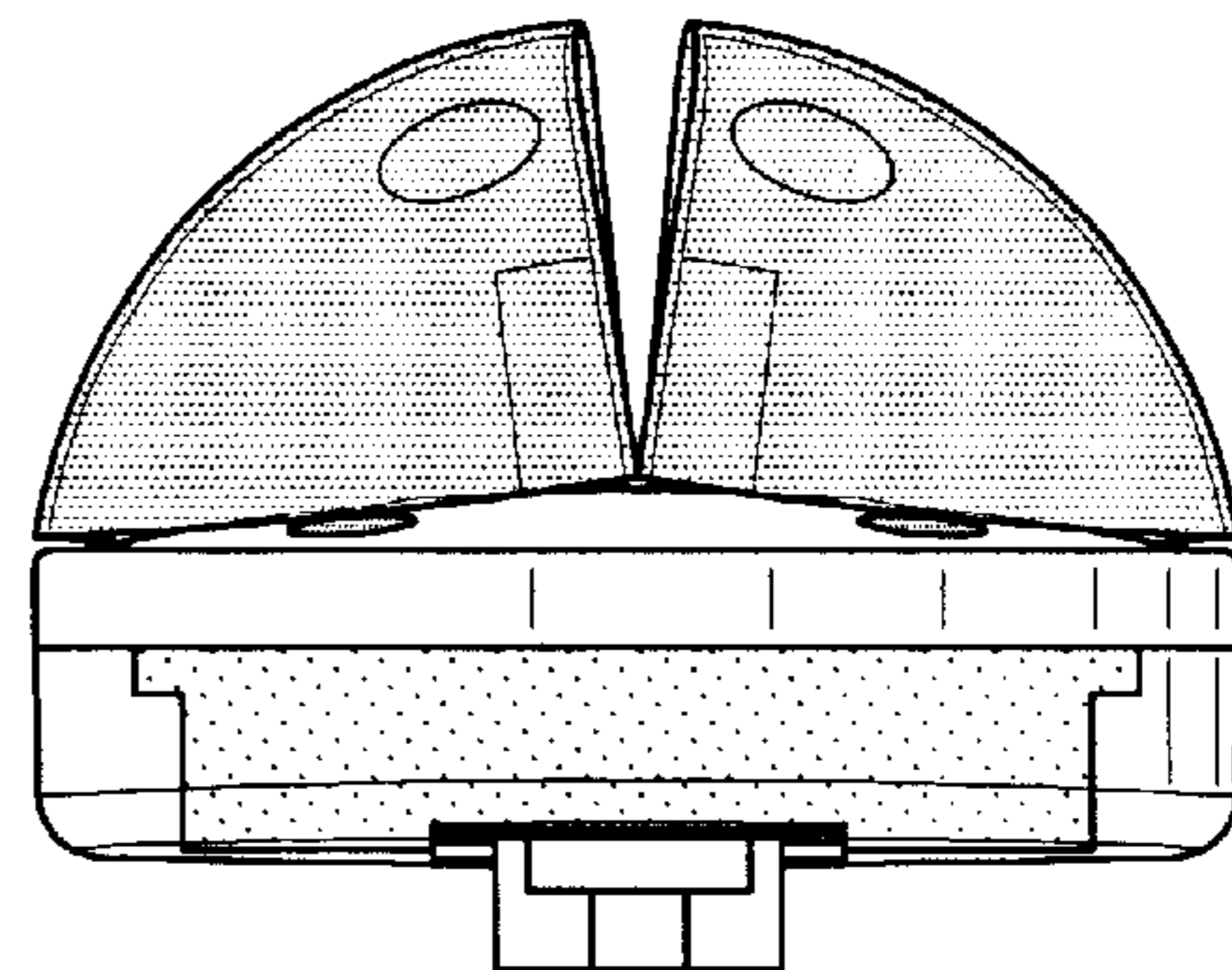


FIG. 7