



US00D512136S

(12) **United States Design Patent** (10) **Patent No.:** **US D512,136 S**  
**Wefler** (45) **Date of Patent:** **\*\* Nov. 29, 2005**

(54) **VOLATILE ACTIVES DISPENSER**

(75) Inventor: **Mark E. Wefler, Racine, WI (US)**

(73) Assignee: **S.C. Johnson & Son, Inc., Racine, WI (US)**

(\*\*) Term: **14 Years**

(21) Appl. No.: **29/218,515**

(22) Filed: **Dec. 3, 2004**

(51) **LOC (8) Cl.** ..... **23-04**

(52) **U.S. Cl.** ..... **D23/366**

(58) **Field of Search** ..... **D23/356-369;**  
392/390, 392, 393, 394, 398; 239/34, 53,  
56, 57, 58, 135, 136; 261/DIG. 17, DIG. 65,  
DIG. 88, DIG. 89

6,768,865 B2 *	7/2004	Stathakis et al. ....	392/395
D501,546 S *	2/2005	Cruver et al. ....	D23/366
D501,921 S *	2/2005	Caserta et al. ....	D23/366
D502,540 S *	3/2005	Cruver et al. ....	D23/366
6,862,403 B2 *	3/2005	Pedrotti et al. ....	392/395
2001/0053283 A1 *	12/2001	Levine et al. ....	392/395
2002/0021892 A1 *	2/2002	Ambrosi et al. ....	392/395
2002/0172512 A1 *	11/2002	Stathakis et al. ....	392/395
2003/0063902 A1 *	4/2003	Pedrotti et al. ....	392/395
2003/0138241 A1 *	7/2003	Pedrotti et al. ....	392/395
2003/0194225 A1 *	10/2003	Pedrotti et al. ....	392/395
2003/0231877 A1 *	12/2003	Wolpert et al. ....	392/390

\* cited by examiner

*Primary Examiner*—Sandra S. Snapp

(57) **CLAIM**

The ornamental design for a volatile actives dispenser, as shown and described.

(56) **References Cited**

**U.S. PATENT DOCUMENTS**

5,647,053 A *	7/1997	Schroeder et al. ....	392/390
D393,063 S *	3/1998	Wefler .....	D23/366
6,104,867 A *	8/2000	Stathakis et al. ....	392/403
D432,222 S *	10/2000	Rymer et al. ....	D23/366
D433,744 S *	11/2000	Basaganas .....	D23/366
D437,636 S *	2/2001	Basaganas .....	D23/366
D440,291 S *	4/2001	Wolpert et al. ....	D23/360
D447,550 S *	9/2001	Basaganas .....	D23/366
D449,101 S *	10/2001	Wolpert et al. ....	D23/366
D461,885 S *	8/2002	Jordi .....	D23/366
D473,638 S *	4/2003	Cruver, IV .....	D23/366
D474,268 S *	5/2003	Choke-arpornchai et al. ...	D23/366
6,622,662 B1 *	9/2003	Wolpert et al. ....	122/366
D487,144 S *	2/2004	Choke-arpornchai et al. ...	D23/366
D491,256 S *	6/2004	Fellows et al. ....	D23/366
6,766,773 B2 *	7/2004	Wolpert et al. ....	122/366

**DESCRIPTION**

FIG. 1 is a front perspective view from above and to one side of a volatile actives dispenser depicting a new design.

FIG. 2 is a front elevational view of the volatile actives dispenser of FIG. 1.

FIG. 3 is a back elevational view of the volatile actives dispenser of FIG. 1.

FIG. 4 is a side elevational view of the volatile actives dispenser of FIG. 1.

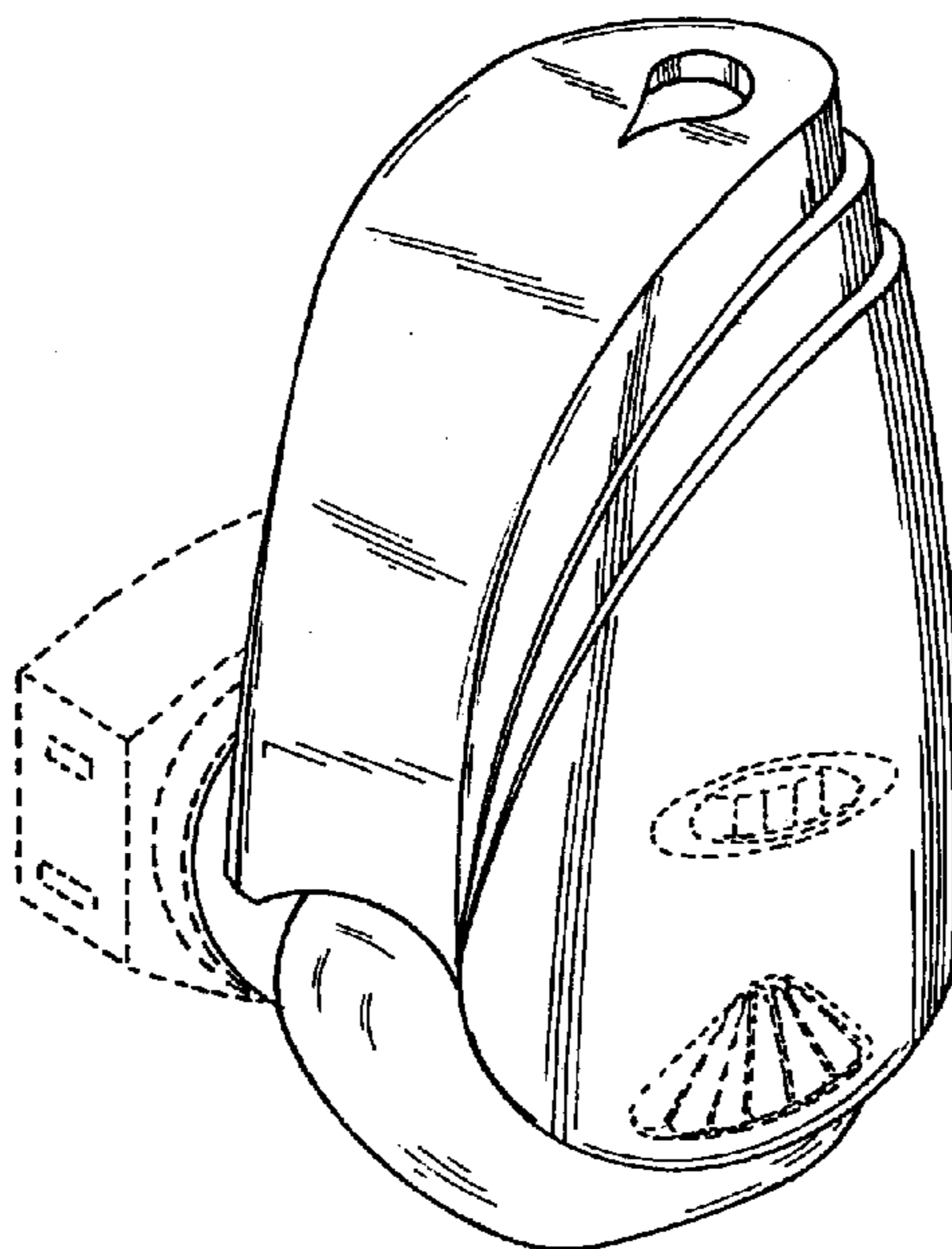
FIG. 5 is a side elevational view of the volatile actives dispenser of FIG. 1.

FIG. 6 is a top plan view of the volatile actives dispenser of FIG. 1; and,

FIG. 7 is a bottom plan view of the volatile actives dispenser of FIG. 1.

The broken lines showing in FIGS. 1-7 are for illustrative purposes only and form no part of the claimed design.

**1 Claim, 3 Drawing Sheets**



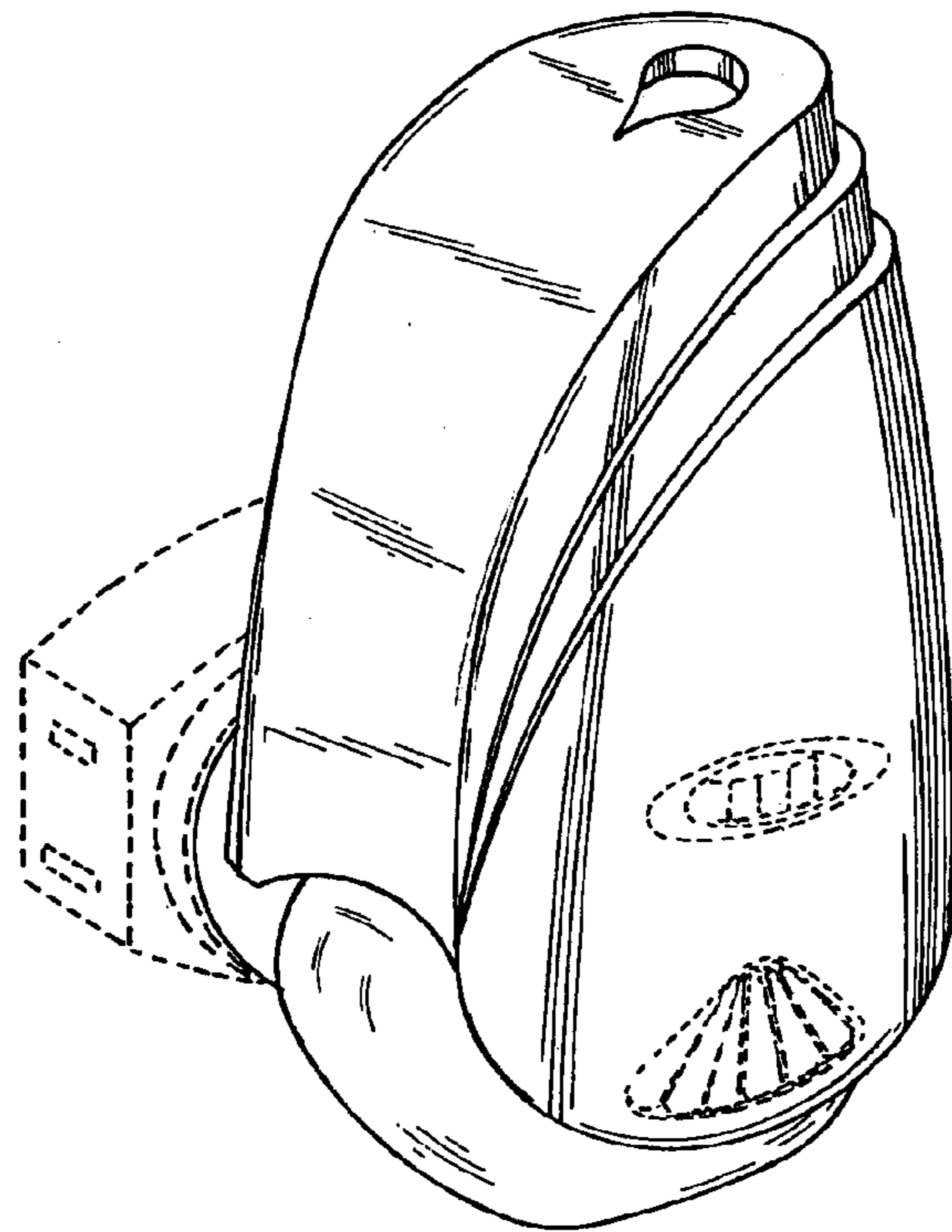


FIG. 1

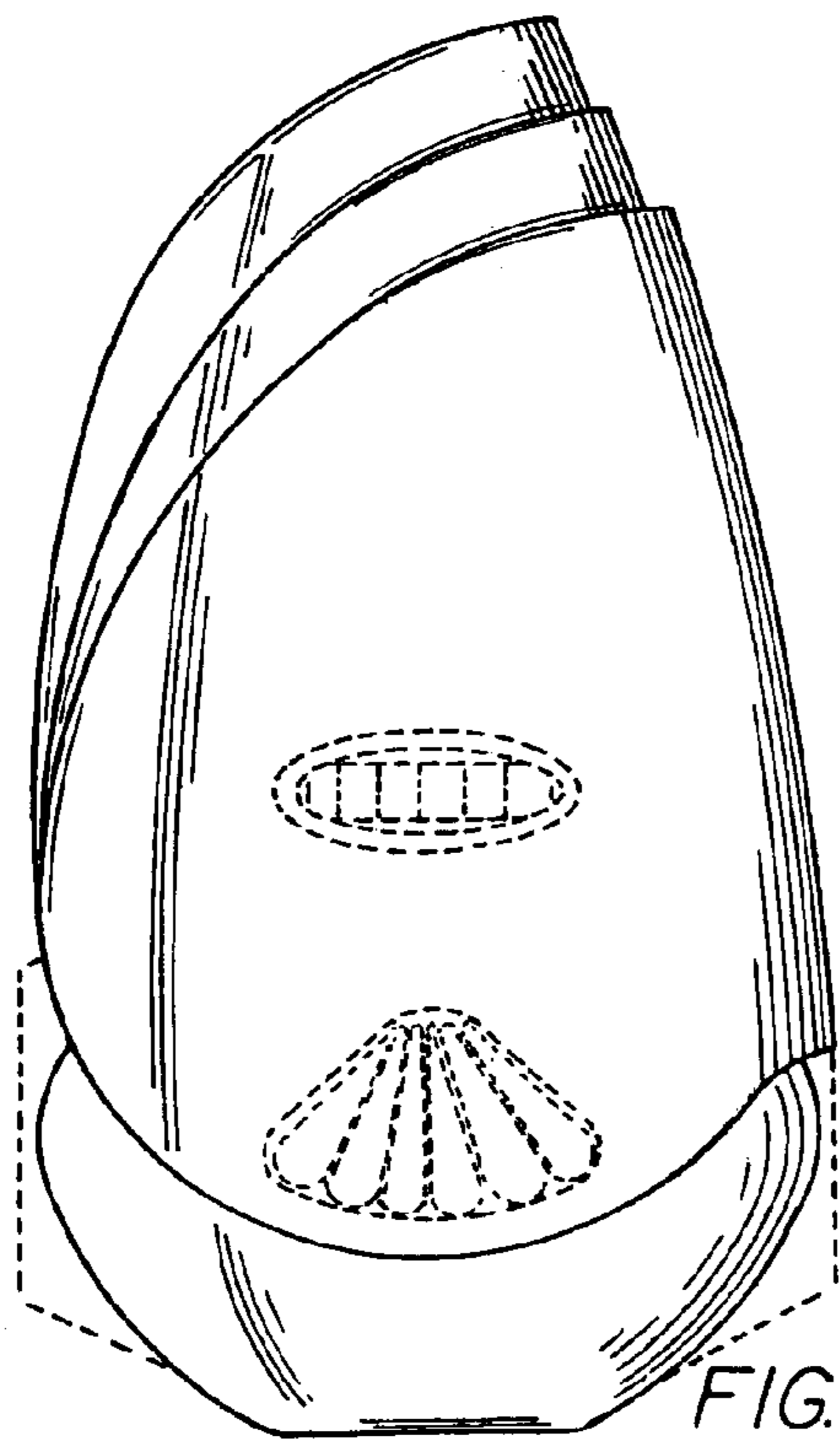


FIG. 2

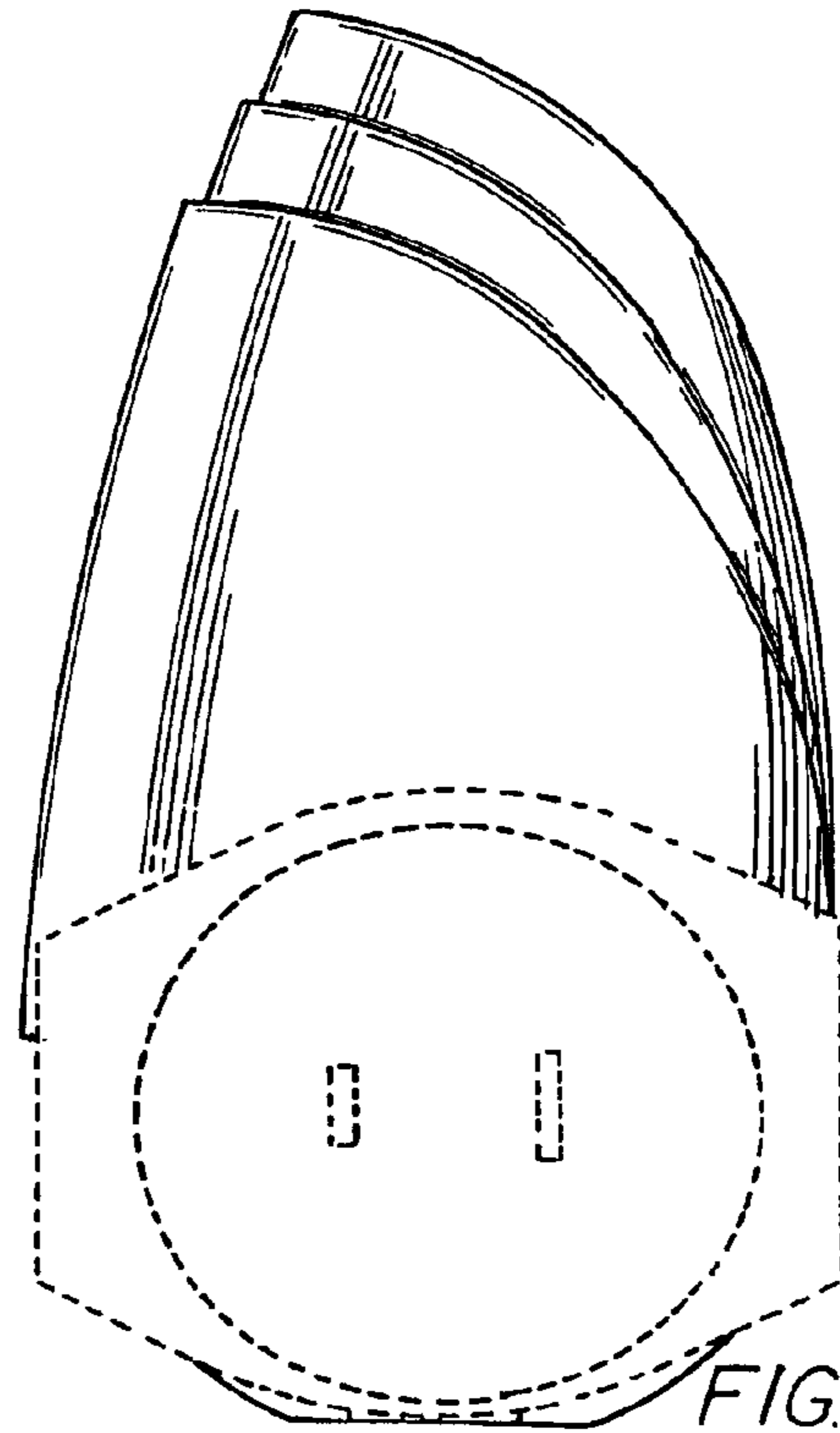


FIG. 3

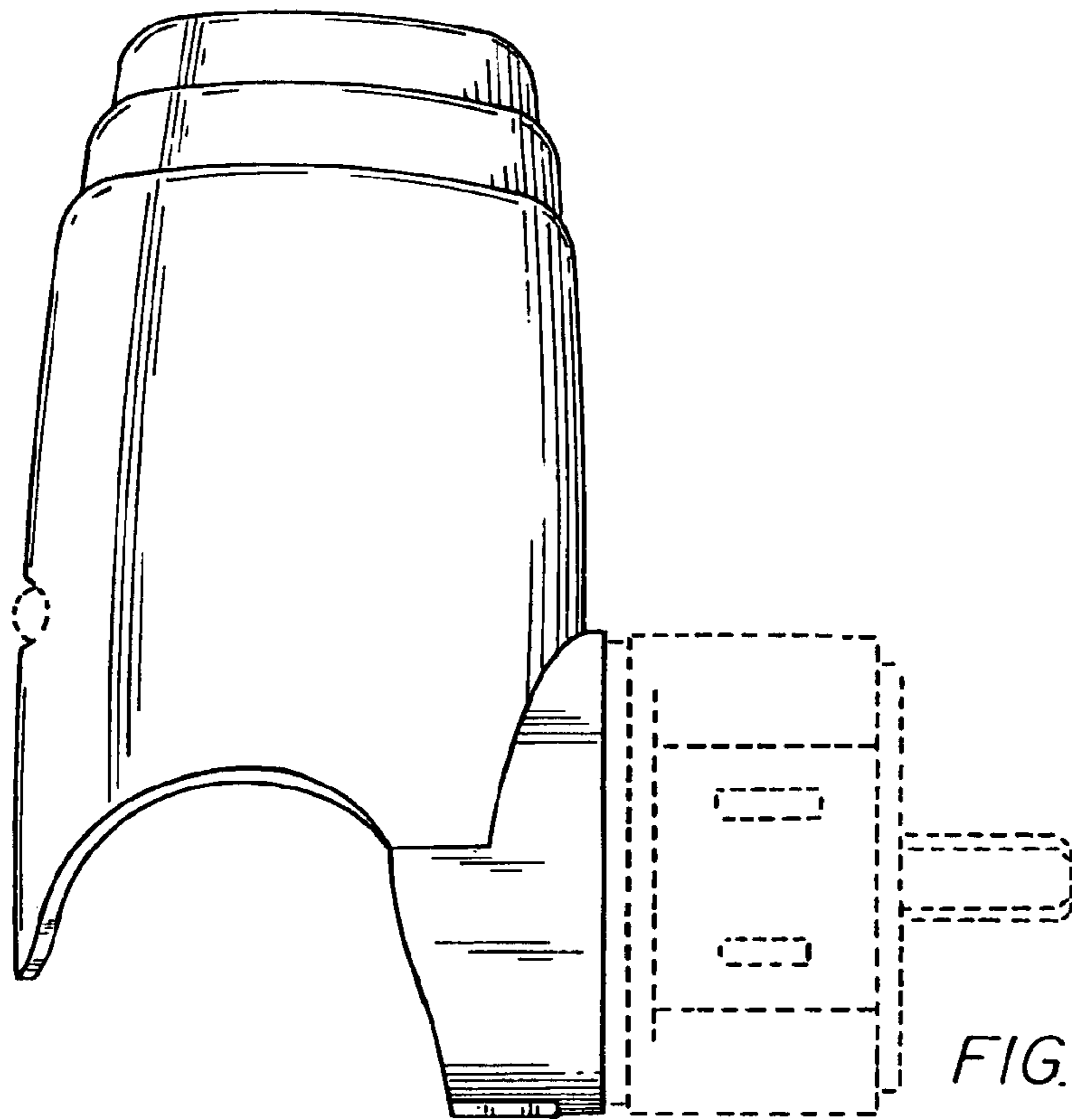


FIG. 4

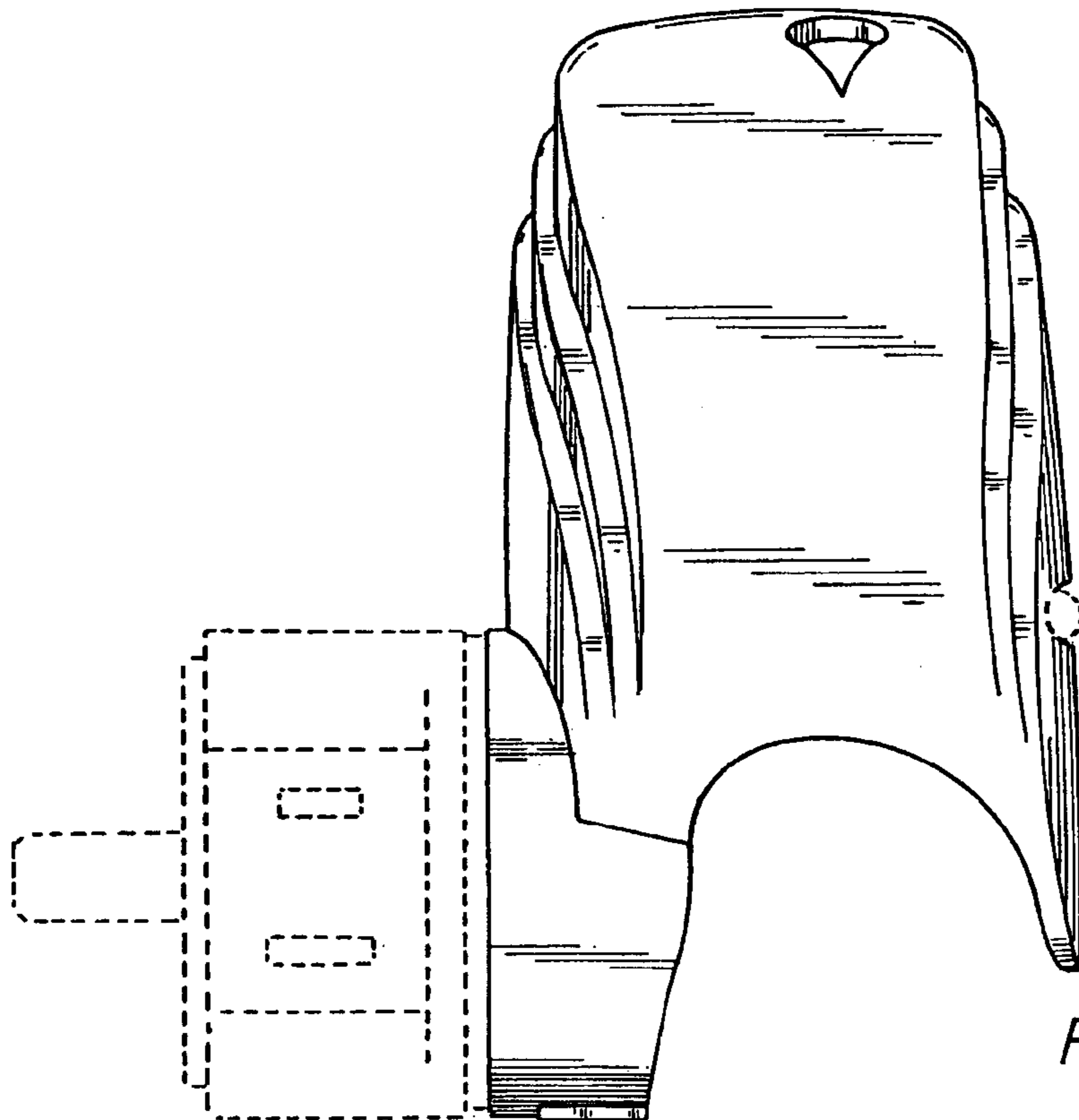


FIG. 5

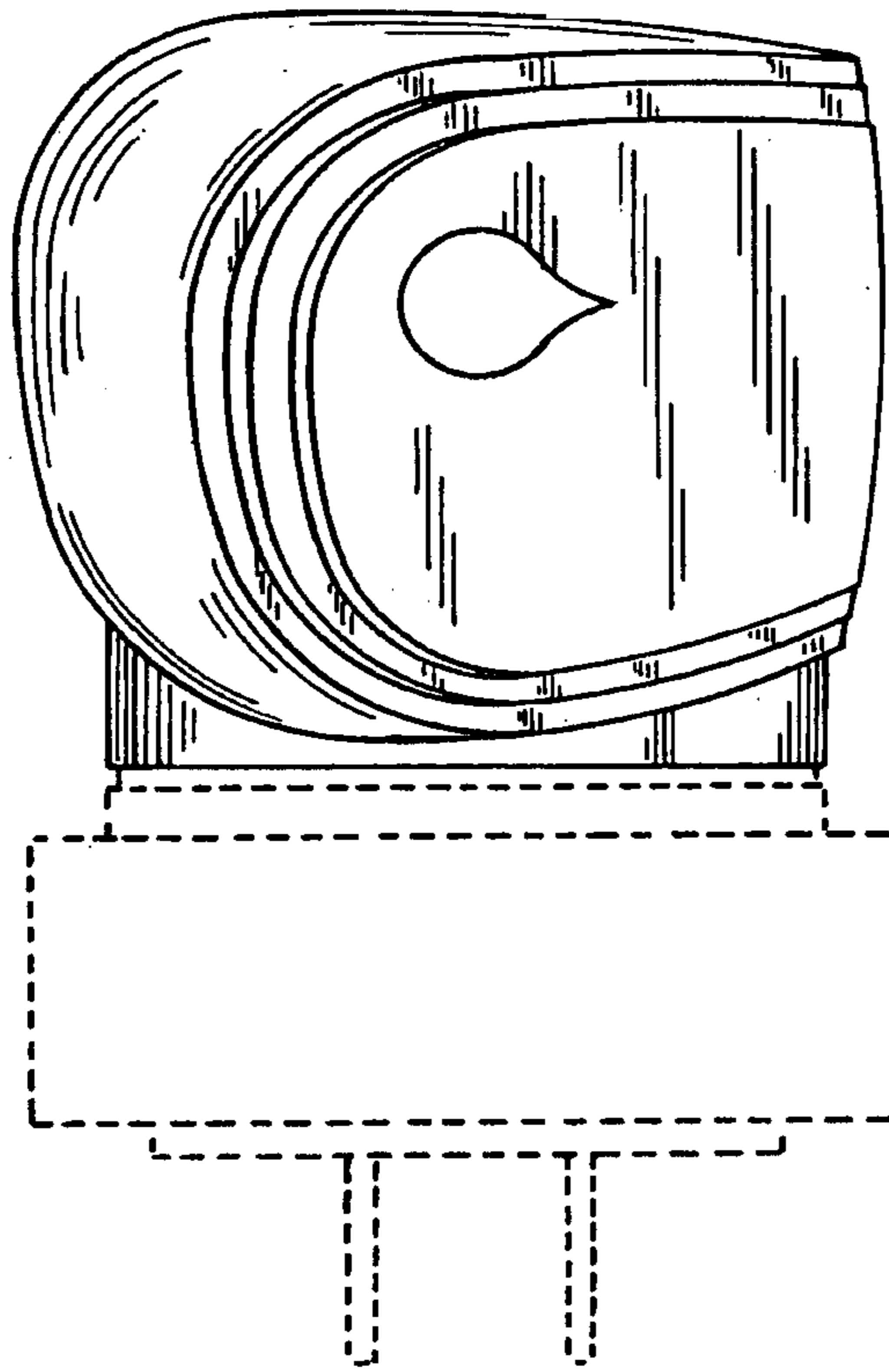


FIG. 6

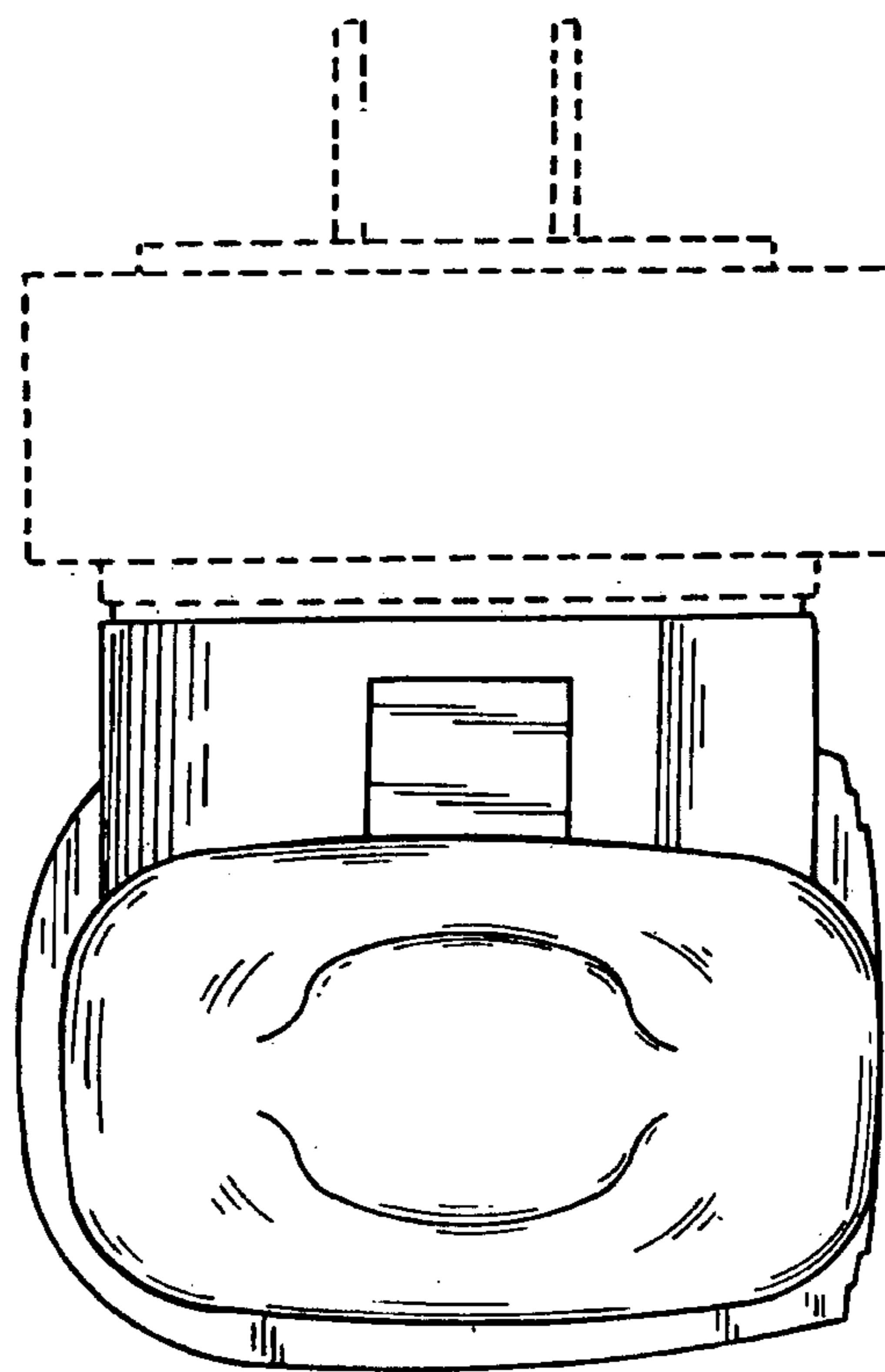


FIG. 7