



US00D512135S

(12) **United States Design Patent**
Kim et al.

(10) **Patent No.: US D512,135 S**

(45) **Date of Patent: ** Nov. 29, 2005**

(54) **PORTABLE VEHICLE HUMIDIFIER**

Primary Examiner—Robin V. Taylor
(74) *Attorney, Agent, or Firm*—G. F. Gallinger

(76) Inventors: **Dona Kim**, 6419 Cool Mountain Dr.,
Colorado Springs, CO (US) 80922; **Sun
Young Kim**, 6419 Cool Mountain Dr.,
Colorado Springs, CO (US) 80922

(57) **CLAIM**

The ornamental design for a portable vehicle humidifier, as shown and described.

(**) Term: **14 Years**

DESCRIPTION

(21) Appl. No.: **29/209,513**

FIG. 1 is a perspective view of the portable vehicle humidifier having a lighter socket plug-in and a flexible discharge line which is bent upwardly for humidity discharge.

(22) Filed: **Jul. 16, 2004**

FIG. 2 is a left side view of the portable vehicle humidifier shown in FIG. 1.

(51) **LOC (8) Cl.** **23-04**

(52) **U.S. Cl.** **D23/356**

(58) **Field of Search** D23/355, 356;
261/30, DIG. 65, DIG. 4

FIG. 3 is a plan view of the portable vehicle humidifier.

FIG. 4 is a front view of the portable vehicle humidifier.

(56) **References Cited**

U.S. PATENT DOCUMENTS

4,389,353	A *	6/1983	Gates	261/130
4,390,479	A *	6/1983	Gates	261/27
5,329,939	A *	7/1994	Howe	128/203.27
5,971,369	A *	10/1999	Neveu et al.	261/91
6,755,396	B1 *	6/2004	Weinrich	261/30

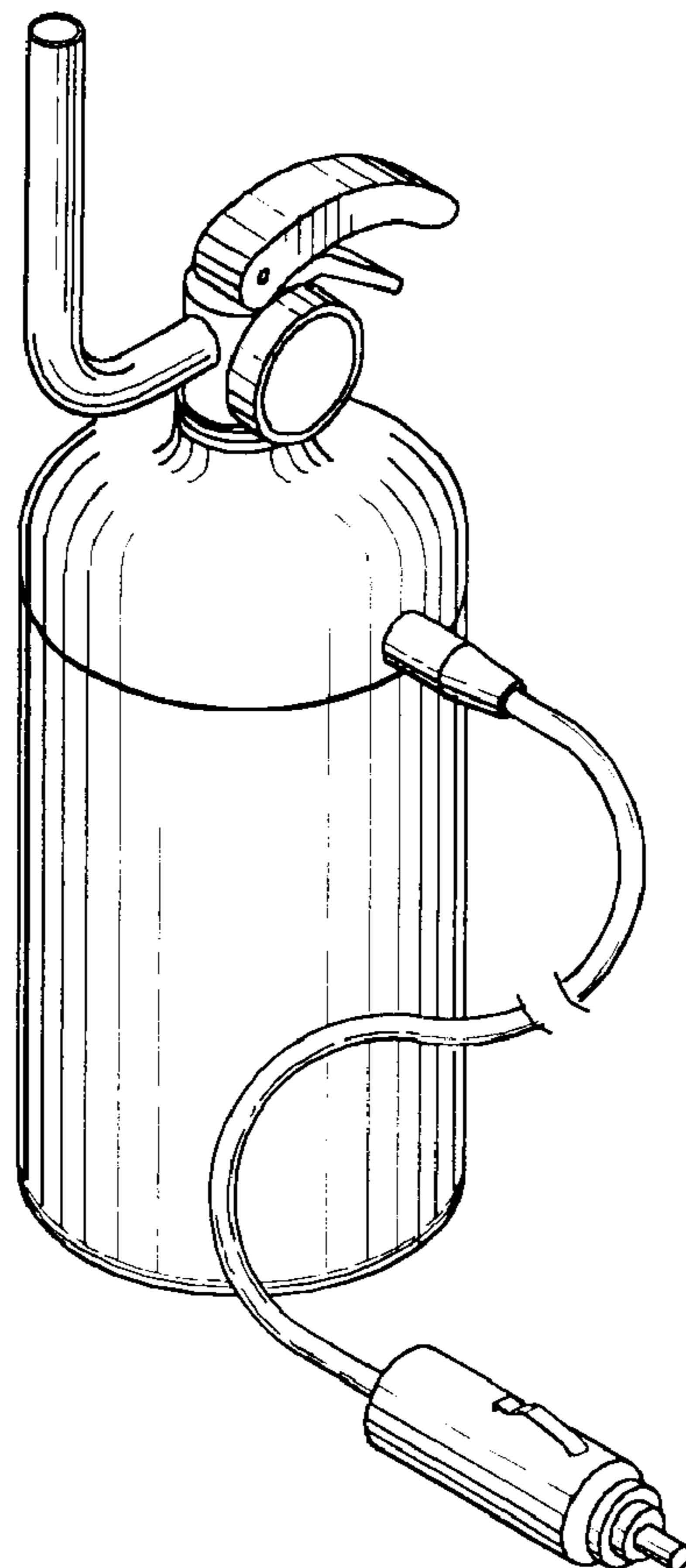
FIG. 5 is an exploded perspective view of the portable vehicle humidifier. The top portion is unscrewed from the bottom portion; and,

FIG. 6 is an exploded front view of the portable vehicle humidifier.

The flexible discharge line is shown fragmented to indicate indeterminate length.

* cited by examiner

1 Claim, 2 Drawing Sheets



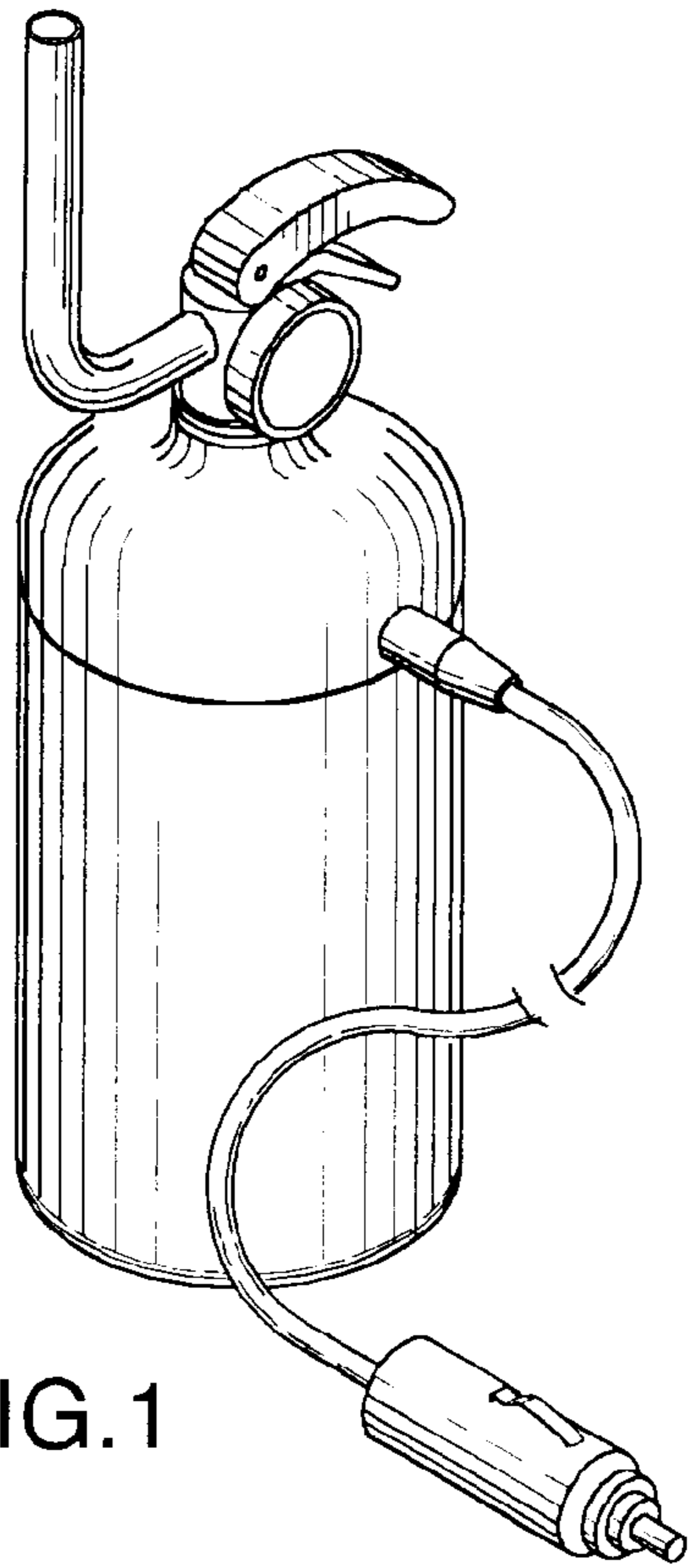


FIG. 1

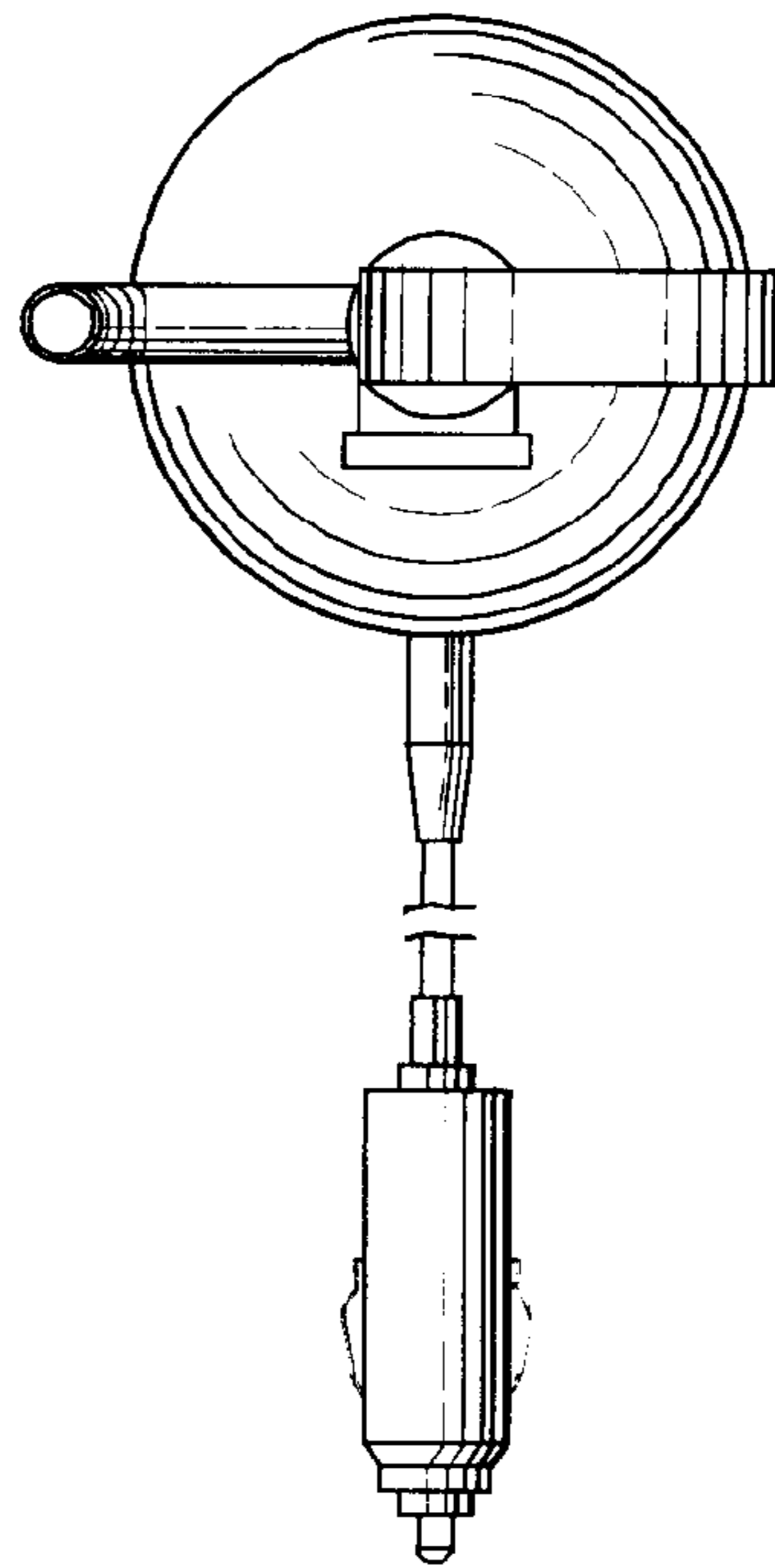


FIG. 3

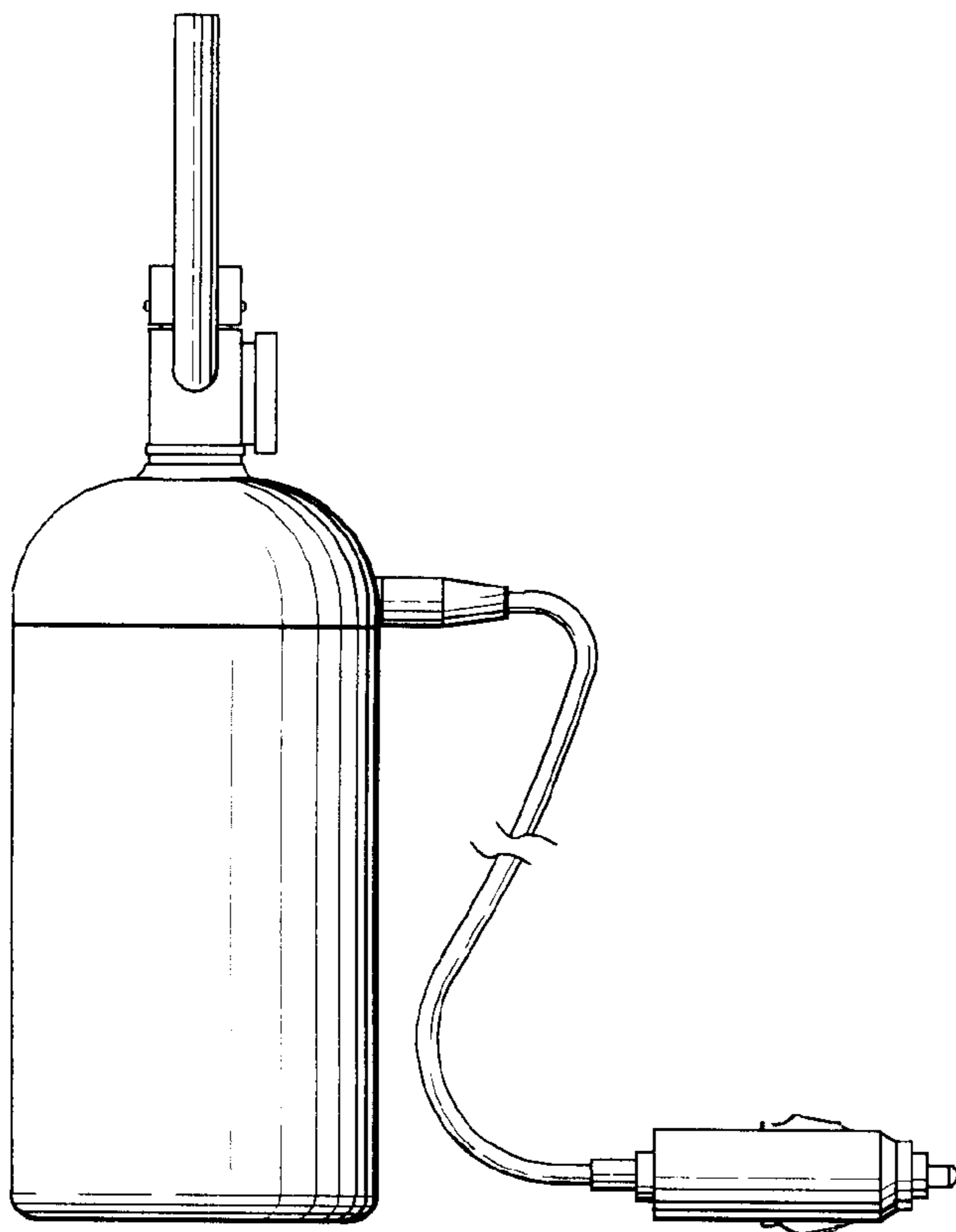


FIG. 2

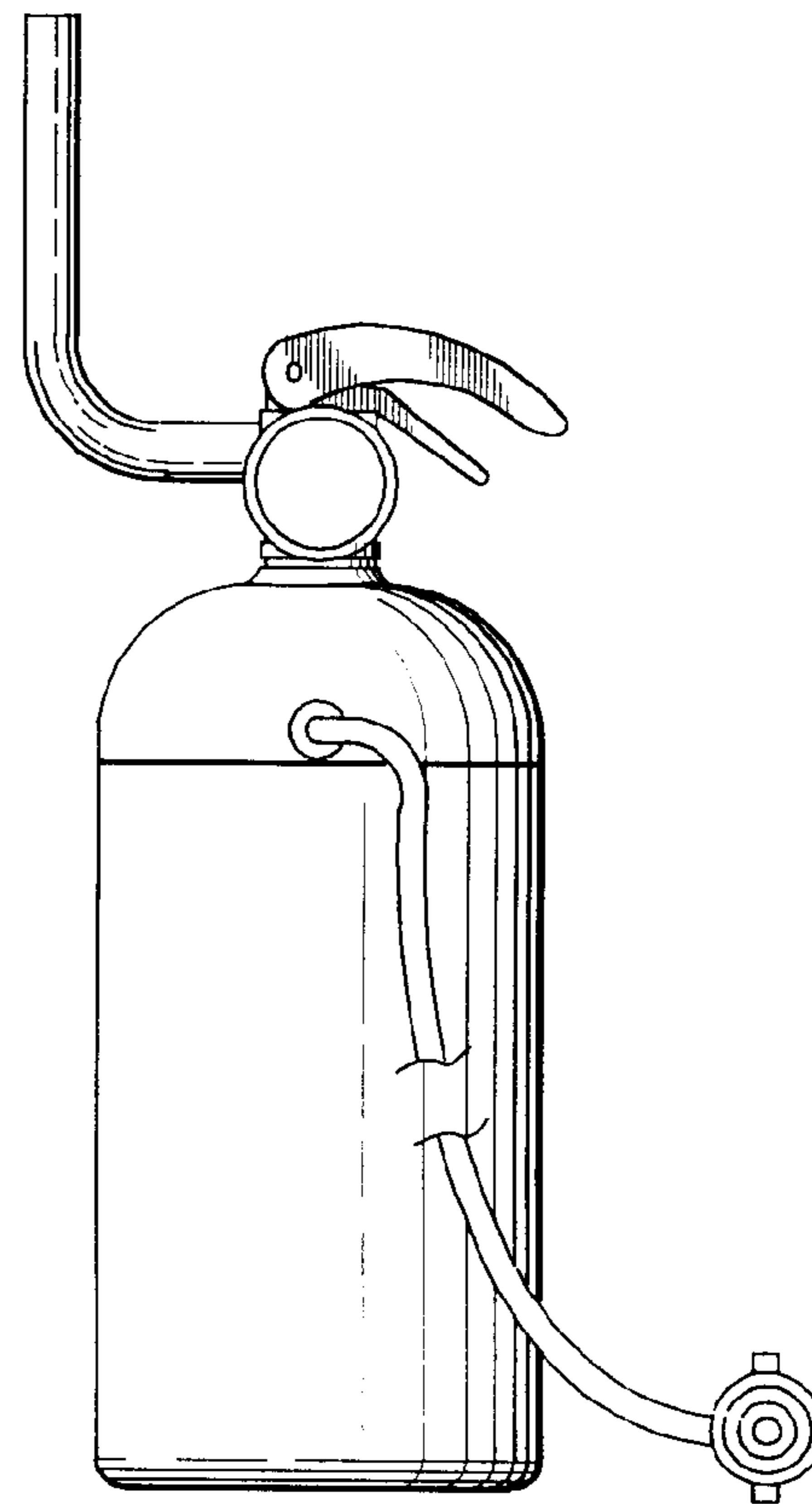


FIG. 4

