



US00D512133S

(12) **United States Design Patent**  
**Kosasih**

(10) **Patent No.:** **US D512,133 S**

(45) **Date of Patent:** **\*\* Nov. 29, 2005**

(54) **TUB SPOUT**

(75) **Inventor:** **Angie L. Kosasih**, Rancho Santa Margarita, CA (US)

(73) **Assignee:** **Newfrey LLC**, Newark, DE (US)

(\*\*) **Term:** **14 Years**

(21) **Appl. No.:** **29/209,914**

(22) **Filed:** **Jul. 23, 2004**

(51) **LOC (8) Cl.** ..... **23-01**

(52) **U.S. Cl.** ..... **D23/255; D23/257**

(58) **Field of Search** ..... **D23/238-257;**  
**4/675-678; 137/801**

(56) **References Cited**

**U.S. PATENT DOCUMENTS**

3,469,603	A	9/1969	Nagel	
D266,452	S	10/1982	Fleischmann	
D290,643	S	6/1987	Paul	
D300,942	S	* 5/1989	Paul	..... D23/242
D316,895	S	5/1991	Hill et al.	
D317,350	S	6/1991	Freed	
D353,877	S	12/1994	Rogers	
D365,143	S	12/1995	Fabian	
D412,203	S	7/1999	Pitsch et al.	
D421,100	S	2/2000	Green et al.	
D424,664	S	5/2000	Green et al.	
D428,971	S	8/2000	Milrud et al.	

D441,060	S	* 4/2001	Lefroy-Brooks	..... D23/255
D462,750	S	9/2002	Lord	
D463,014	S	9/2002	Lord	
D463,534	S	9/2002	Lord	
D466,594	S	12/2002	Otero et al.	
D467,321	S	12/2002	Otero et al.	
D478,156	S	8/2003	Veltz	
D486,564	S	2/2004	Graves et al.	

\* cited by examiner

*Primary Examiner*—Louis S. Zarfes

*Assistant Examiner*—Gregory Andoll

(74) *Attorney, Agent, or Firm*—Richard J. Veltman; John D. Del Ponti

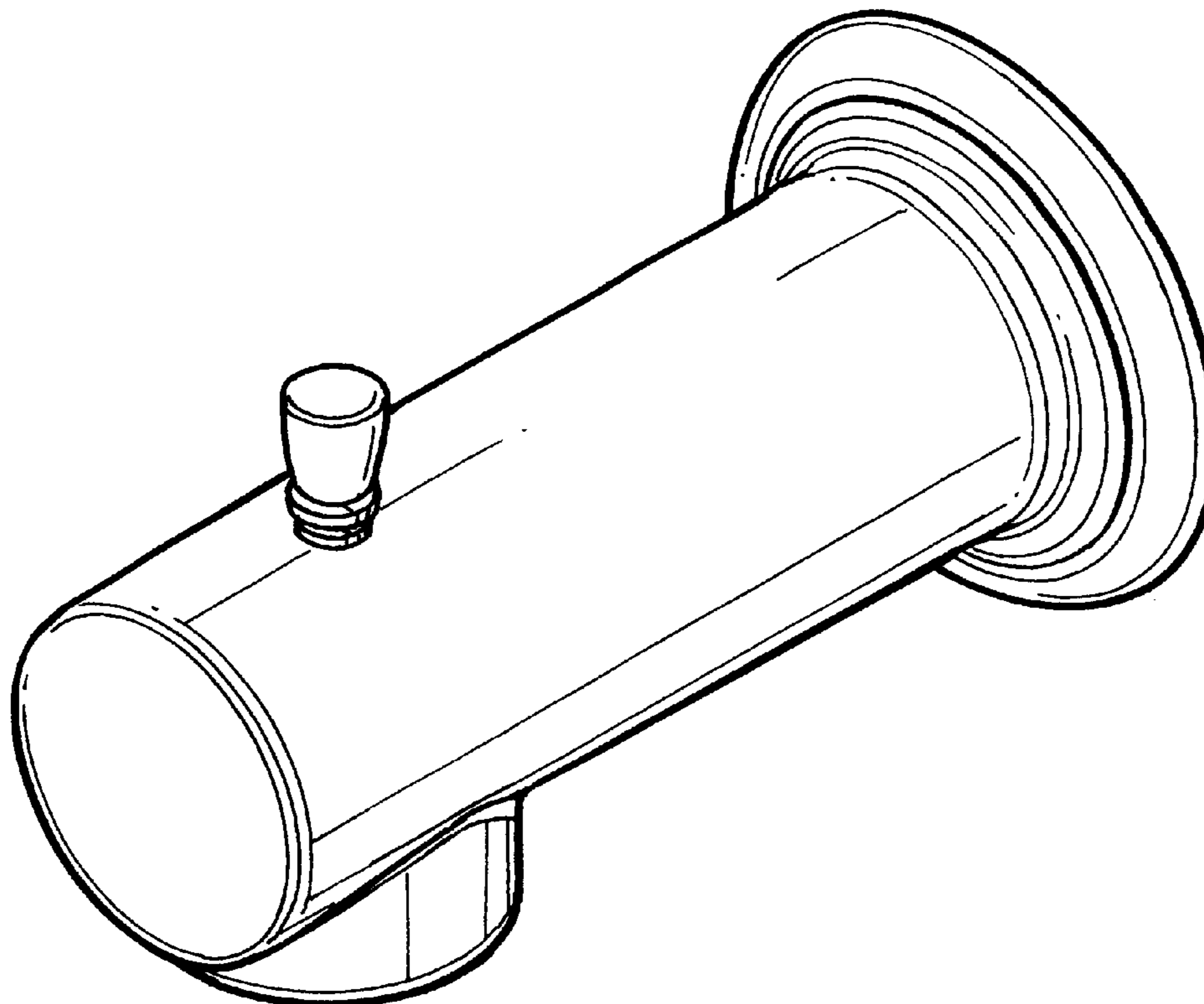
(57) **CLAIM**

The ornamental design for a tub spout, as shown and described.

**DESCRIPTION**

FIG. 1 is a perspective view of the new design for a tub spout;  
FIG. 2 is a left elevational view of the new design for a tub spout, the right elevational view being a mirror image;  
FIG. 3 is a top plan view of the new design for a tub spout;  
and,  
FIG. 4 is a front elevational view of the new design for a tub spout.

**1 Claim, 2 Drawing Sheets**



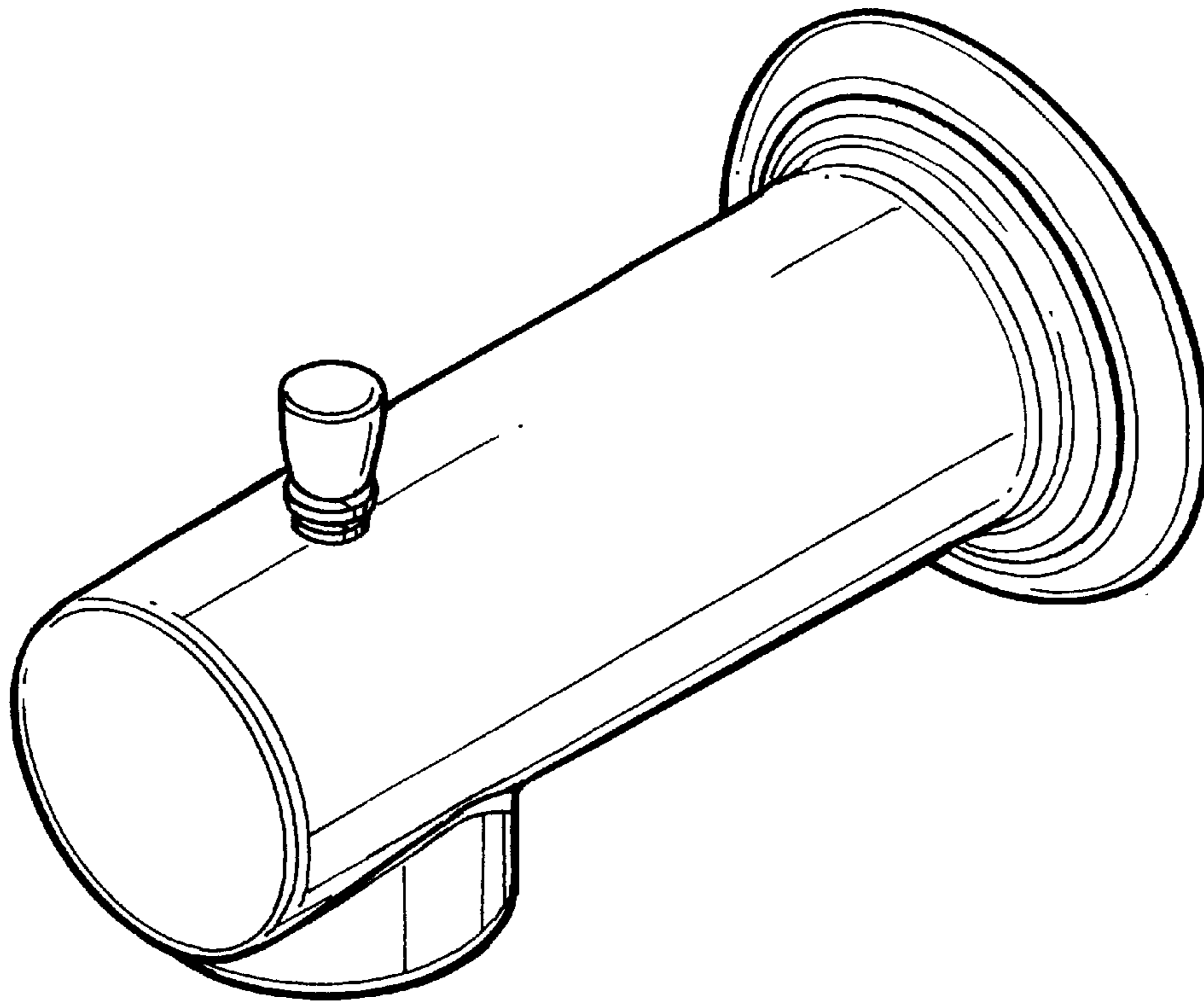


Fig. 1

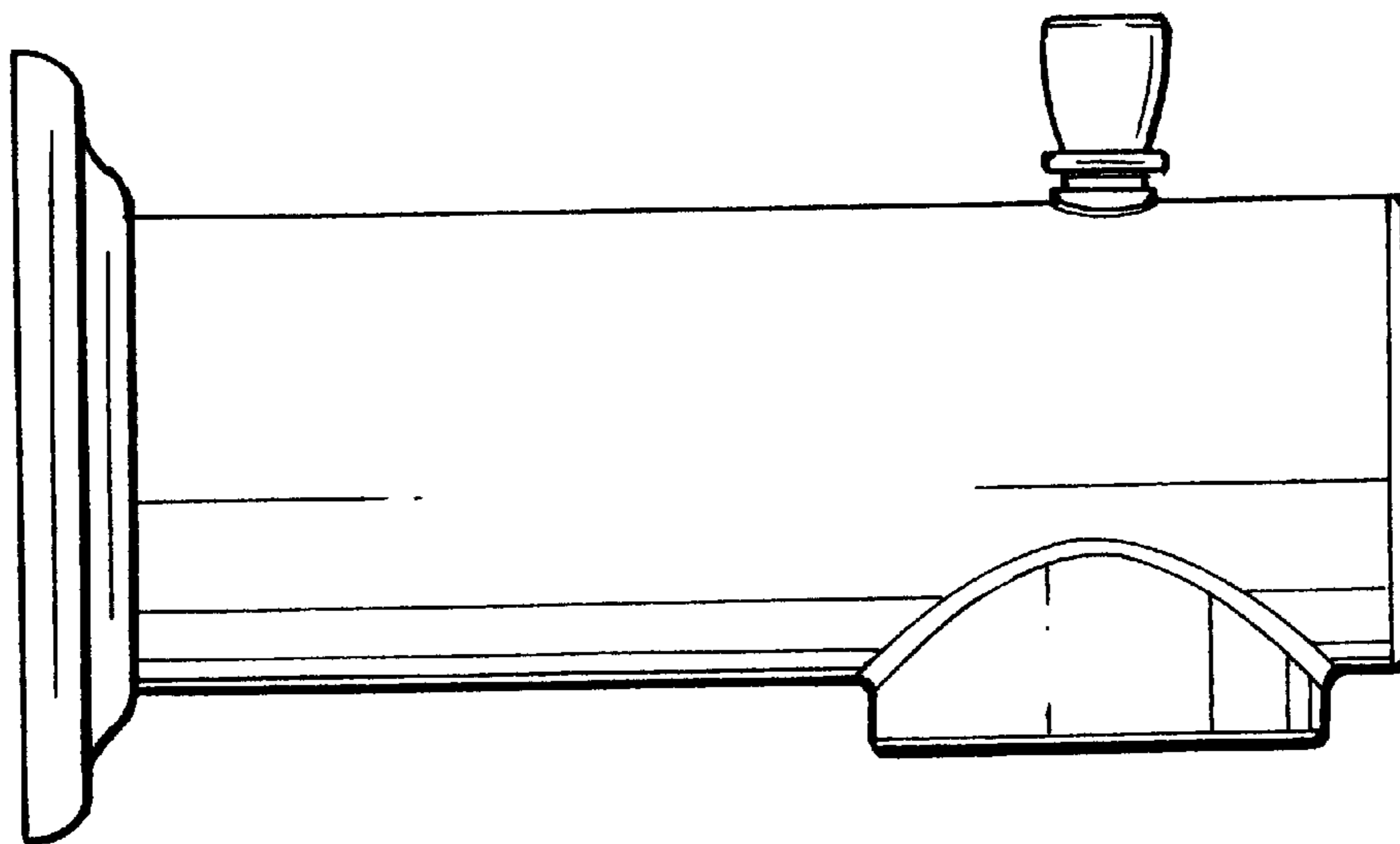


Fig. 2

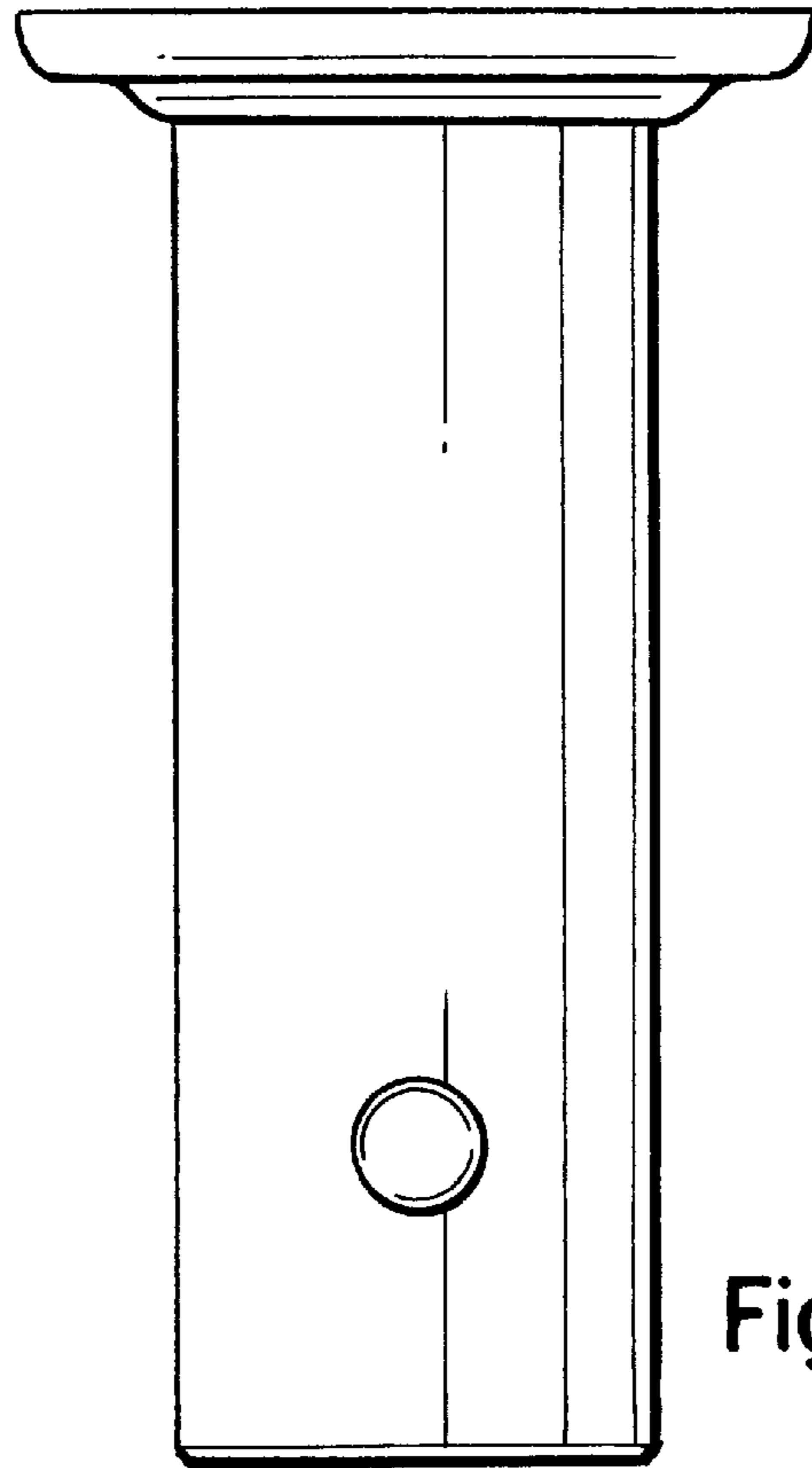


Fig. 3

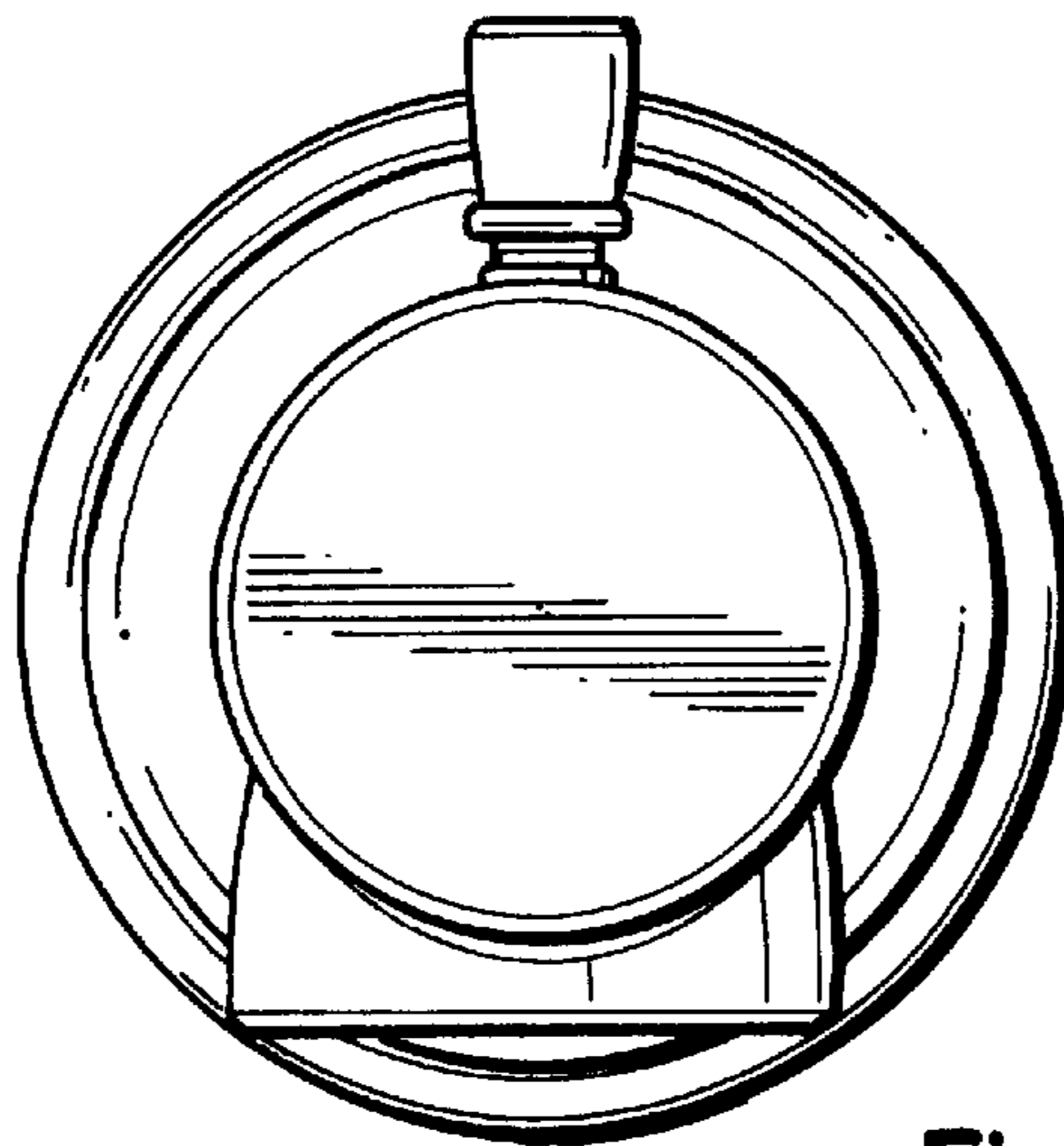


Fig. 4