



US00D512128S

(12) **United States Design Patent**
Zieger et al.

(10) **Patent No.: US D512,128 S**

(45) **Date of Patent: ** Nov. 29, 2005**

(54) **VOLUME CONTROL KNOB**

D336,947 S * 6/1993 Gottwald D23/250
D441,055 S * 4/2001 Fleischmann D23/250
D443,032 S * 5/2001 Milrud et al. D23/250

(75) Inventors: **Claus D. Zieger**, City of Industry, CA (US); **Christopher Glupker**, Van Nuys, CA (US); **Lance Hussey**, Simi Valley, CA (US); **Ravi Sawhney**, Calabasas, CA (US)

* cited by examiner

(73) Assignee: **Interbath, Inc.**, City of Industry, CA (US)

Primary Examiner—Louis S. Zarfaz
Assistant Examiner—Gregory Andoll
(74) *Attorney, Agent, or Firm*—Foley & Lardner LLP

(**) Term: **14 Years**

(57) **CLAIM**

(21) Appl. No.: **29/181,896**

The ornamental design for a volume control knob, as shown and described.

(22) Filed: **May 17, 2003**

DESCRIPTION

(51) **LOC (8) Cl.** **23-01**

(52) **U.S. Cl.** **D23/250**

(58) **Field of Search** D23/238–243,
D23/245, 250–257; D8/300–322, 350–353,
DIG. 3; 16/110.1; 4/675–678; 137/801

FIG. 1 is a perspective view of a volume control knob showing our new design;

FIG. 2 is a top plan view thereof; and,

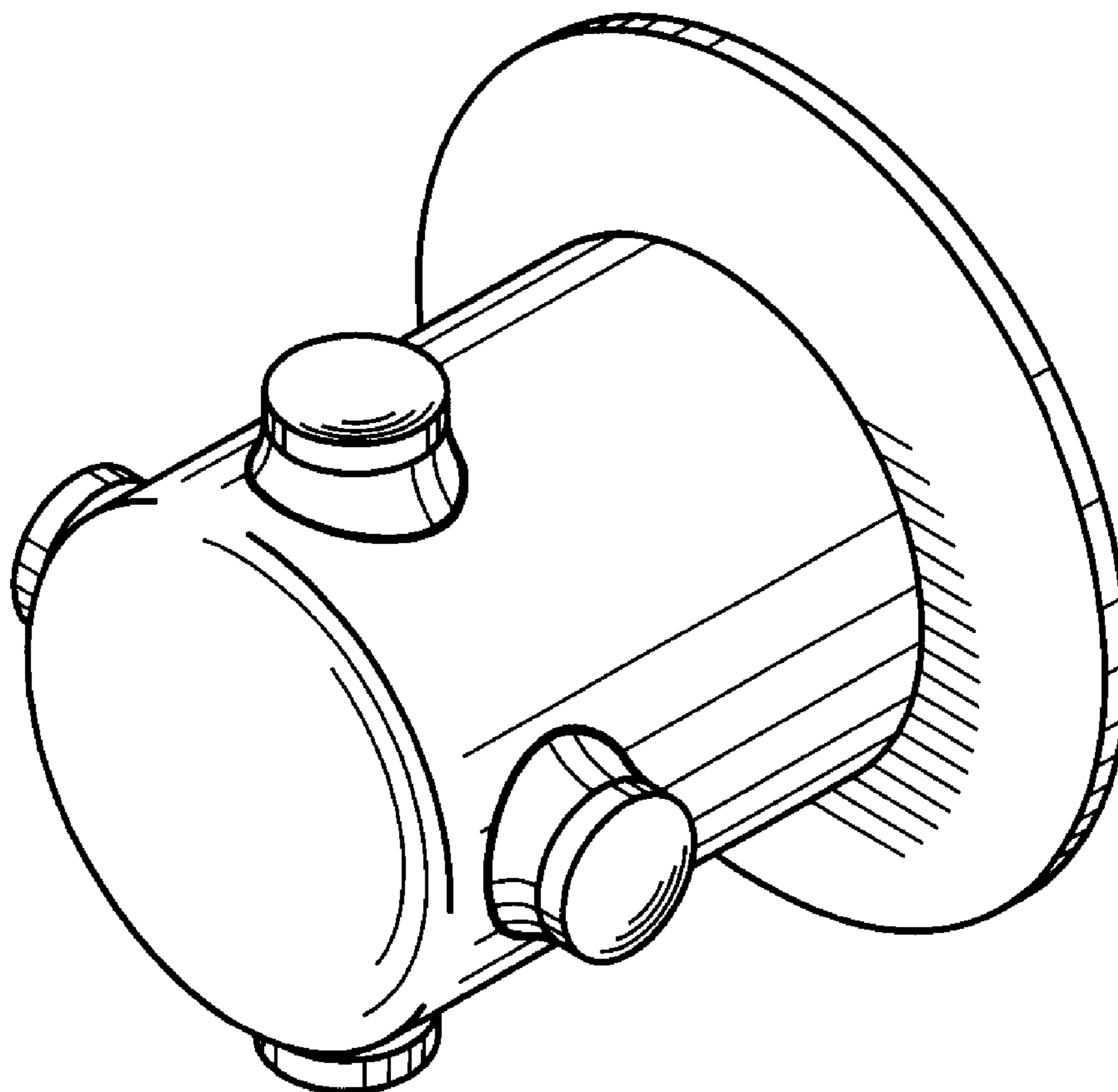
FIG. 3 is a front elevation view thereof, the rear view, first side elevation view and second side elevation views being mirror-images thereof.

(56) **References Cited**

U.S. PATENT DOCUMENTS

D326,900 S * 6/1992 Haug et al. D23/250

1 Claim, 3 Drawing Sheets



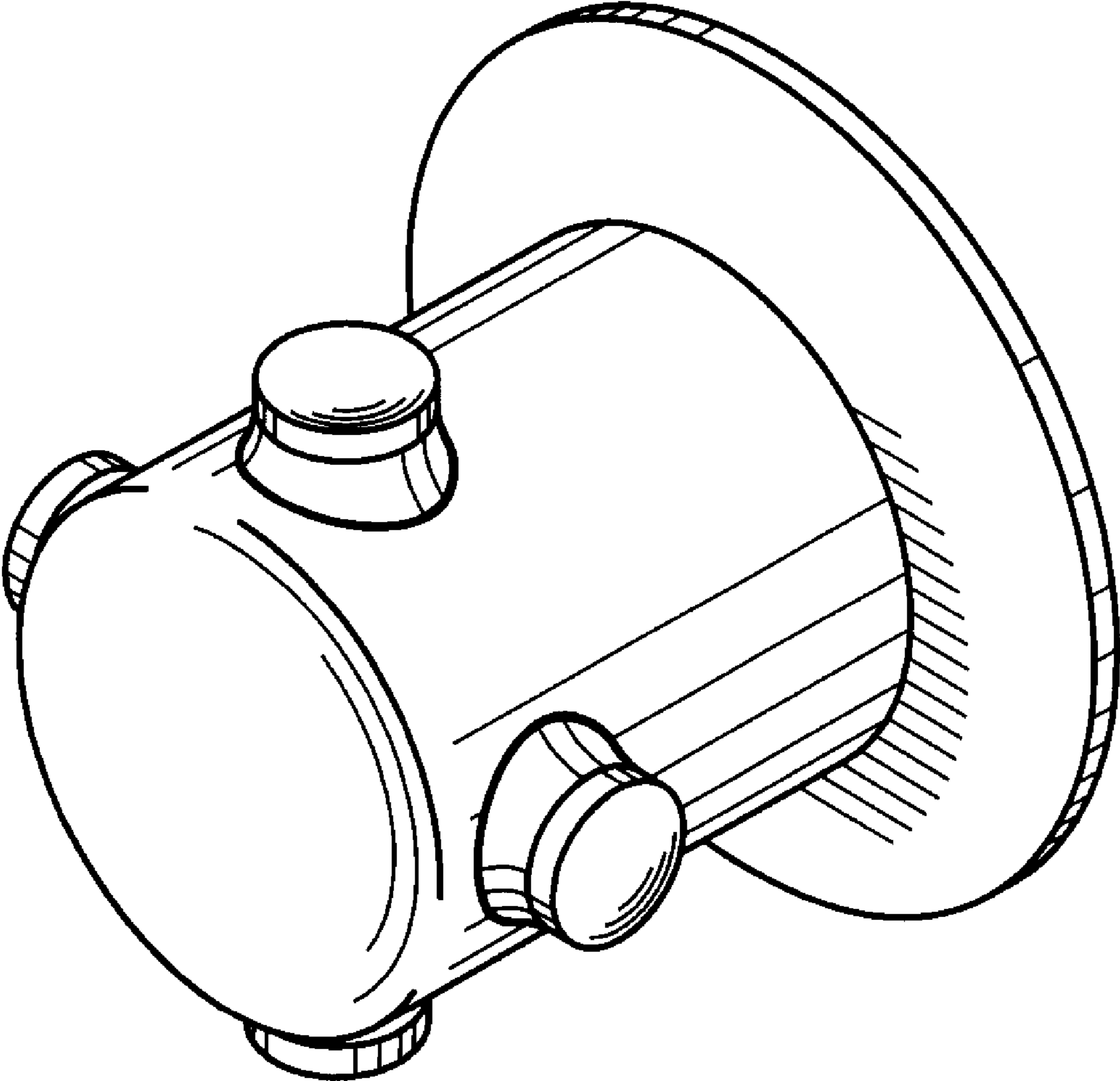


FIG. 1

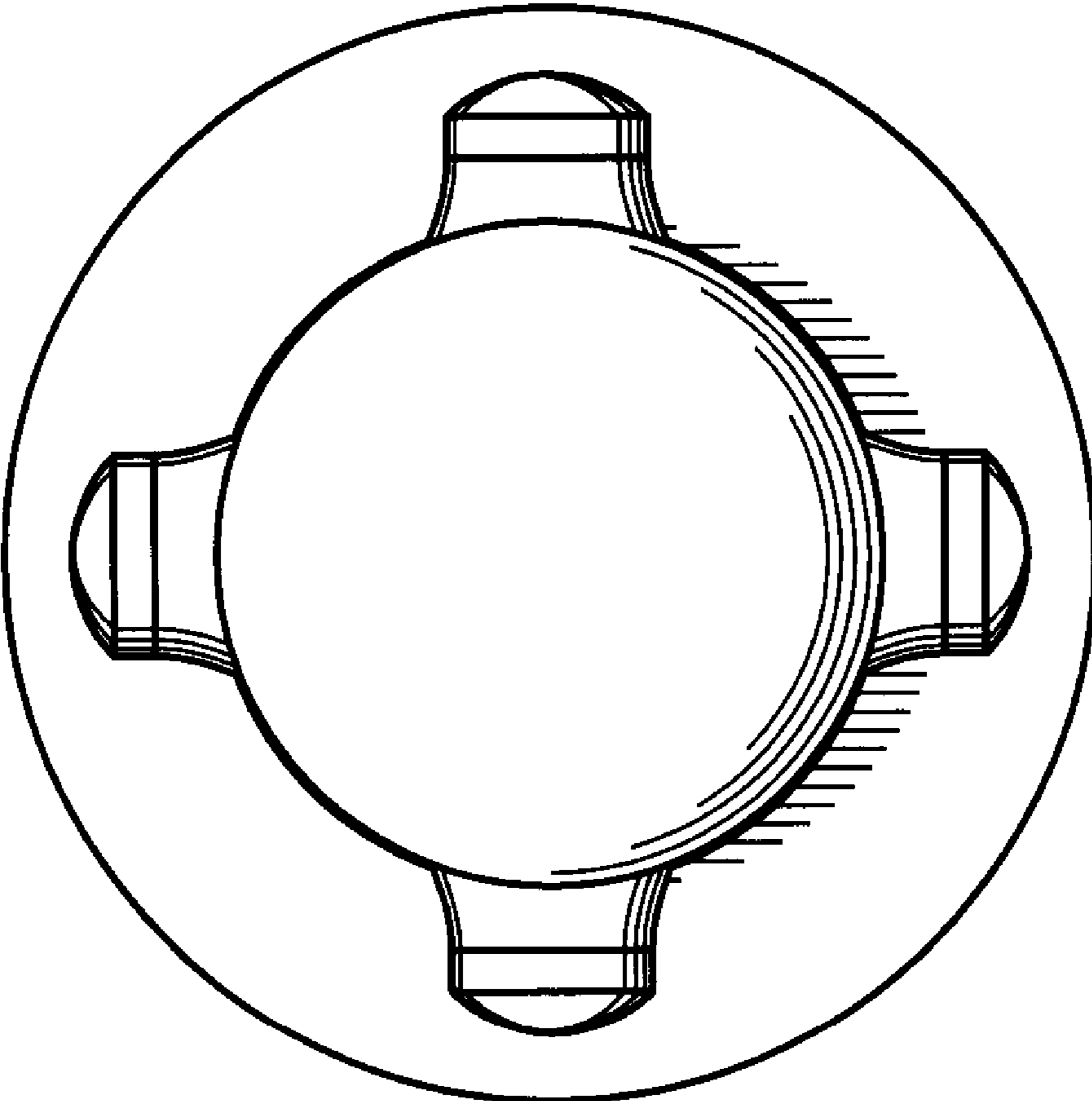


FIG. 2

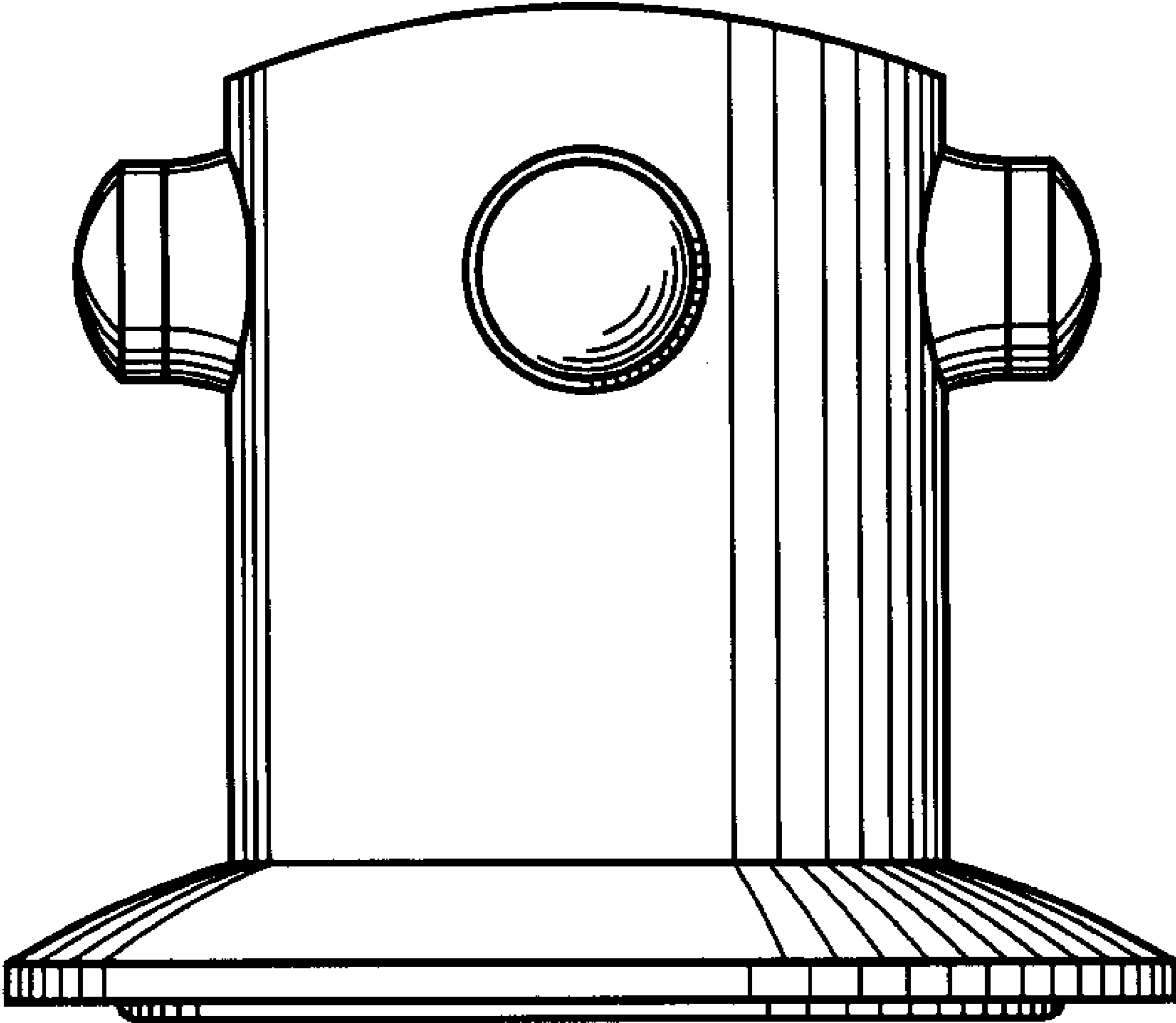


FIG. 3