



US00D512127S

(12) **United States Design Patent**  
Egee

(10) **Patent No.:** **US D512,127 S**  
(45) **Date of Patent:** **\*\* Nov. 29, 2005**

(54) **BRIDGE-WALL FAUCET**

(75) **Inventor:** **Paul Egee**, Southbury, CT (US)

(73) **Assignee:** **American Standard International Inc.**, New York, NY (US)

(\*\*) **Term:** **14 Years**

(21) **Appl. No.:** **29/202,207**

(22) **Filed:** **Mar. 26, 2004**

(51) **LOC (8) Cl.** ..... **23-01**

(52) **U.S. Cl.** ..... **D23/241; D23/242**

(58) **Field of Search** ..... **D23/238-257;**  
**4/675-678; 137/801**

(56) **References Cited**

**U.S. PATENT DOCUMENTS**

D65,364 S	*	8/1924	Bickley	.....	D23/240
D77,024 S	*	11/1928	Mueller	.....	D23/240
D312,118 S	*	11/1990	Son	.....	D23/238
D410,069 S	*	5/1999	Lobermeier	.....	D23/243
D476,063 S	*	6/2003	Haug et al.	.....	D23/238

**OTHER PUBLICATIONS**

American Standard Heritage Two-Handle Wall-Mount Sink Faucet 2001, printed Apr. 22, 2005 from www.faucet.com.\*

\* cited by examiner

*Primary Examiner*—Louis S. Zarfes

*Assistant Examiner*—Gregory Andoll

(57) **CLAIM**

The ornamental design for a bridge-wall faucet, as shown and described.

**DESCRIPTION**

FIG. 1 is a perspective view illustrating a bridge-wall faucet connected to handles shown in phantom;

FIG. 2 is a front elevation view;

FIG. 3 is a top plan view;

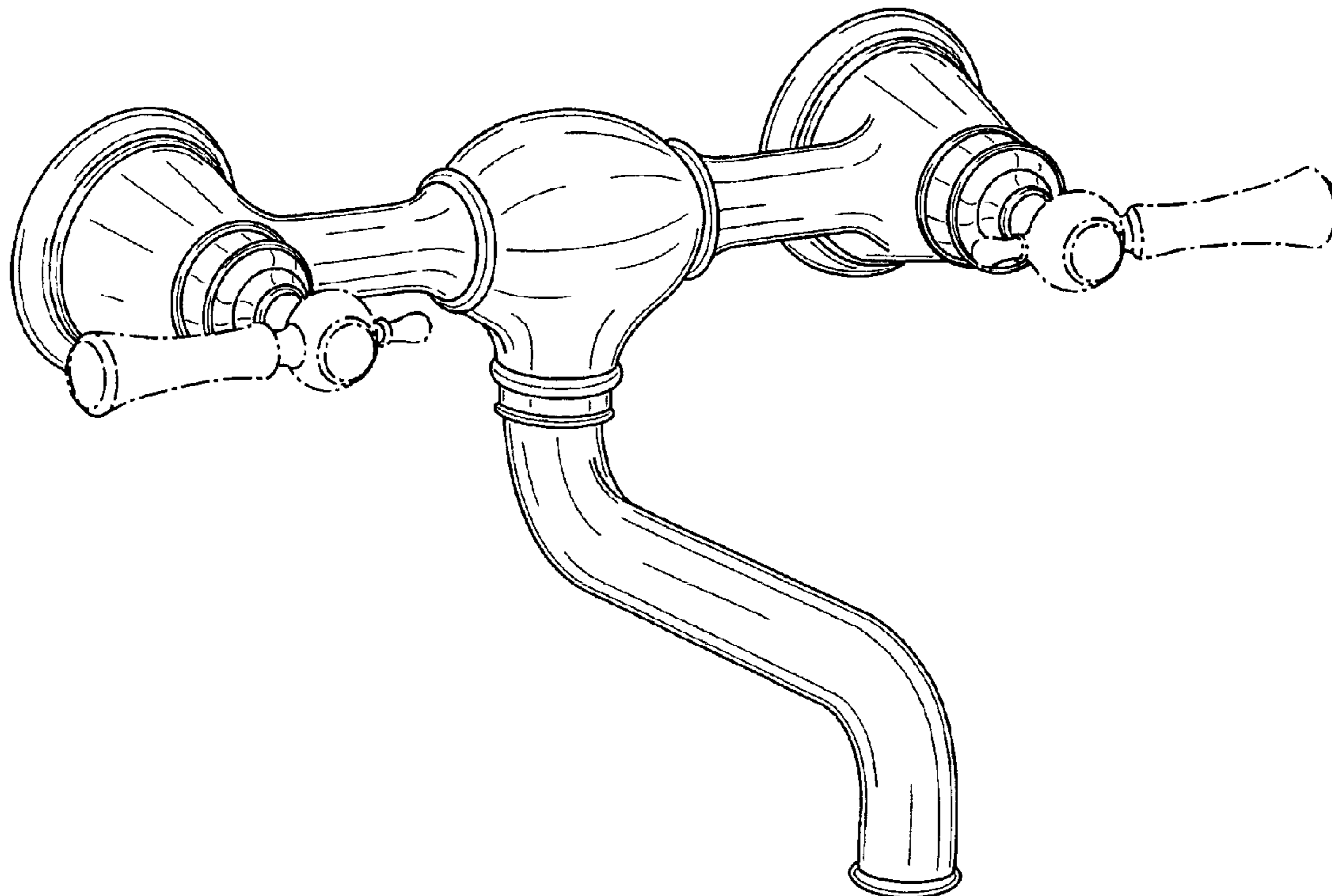
FIG. 4 is a left side elevation view having a right side being a mirror image;

FIG. 5 is a bottom plan view; and,

FIG. 6 is a rear elevation view.

The phantom lines in the Figures are illustrative purposes only and form no part of the claimed design.

**1 Claim, 6 Drawing Sheets**



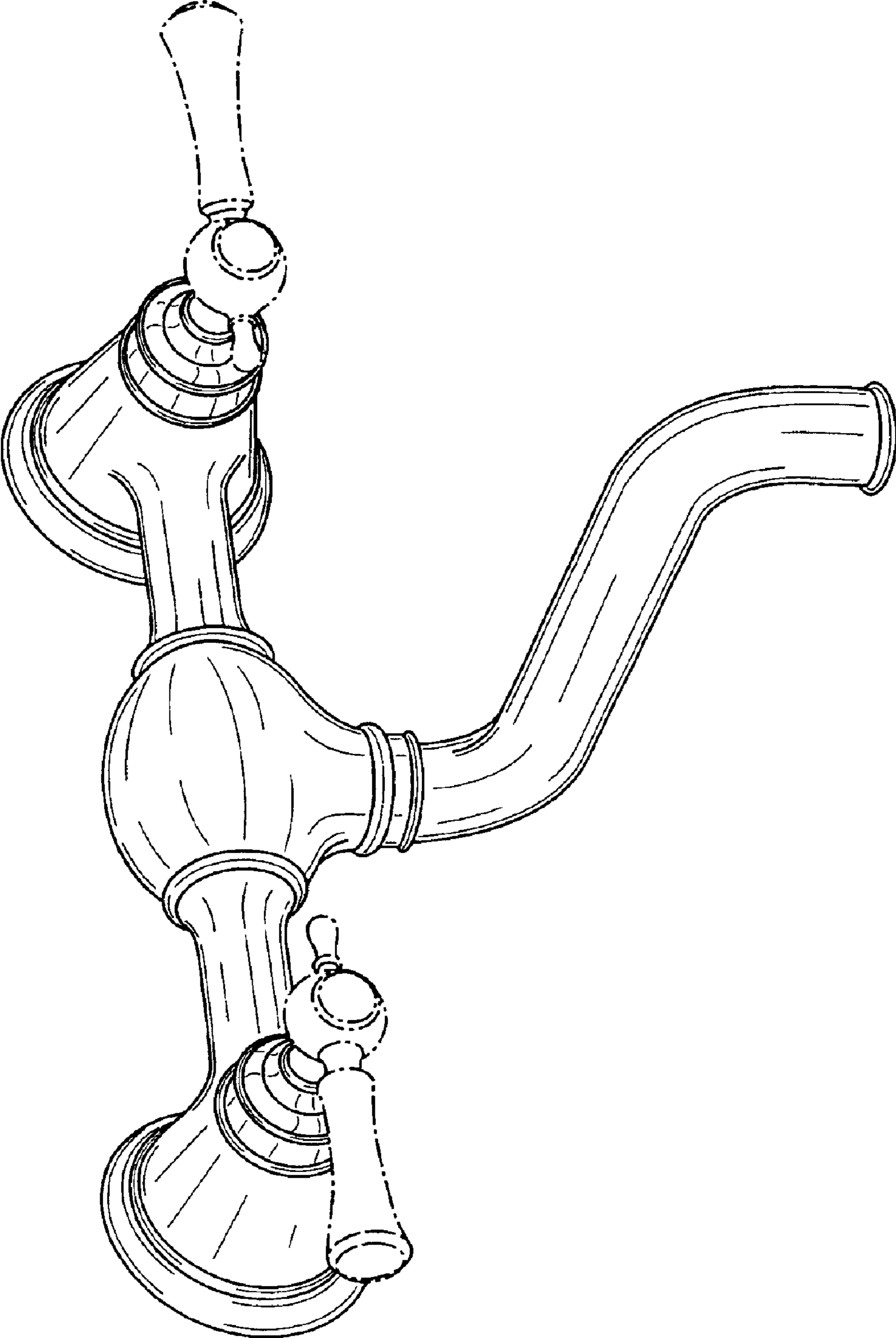


FIG. 1

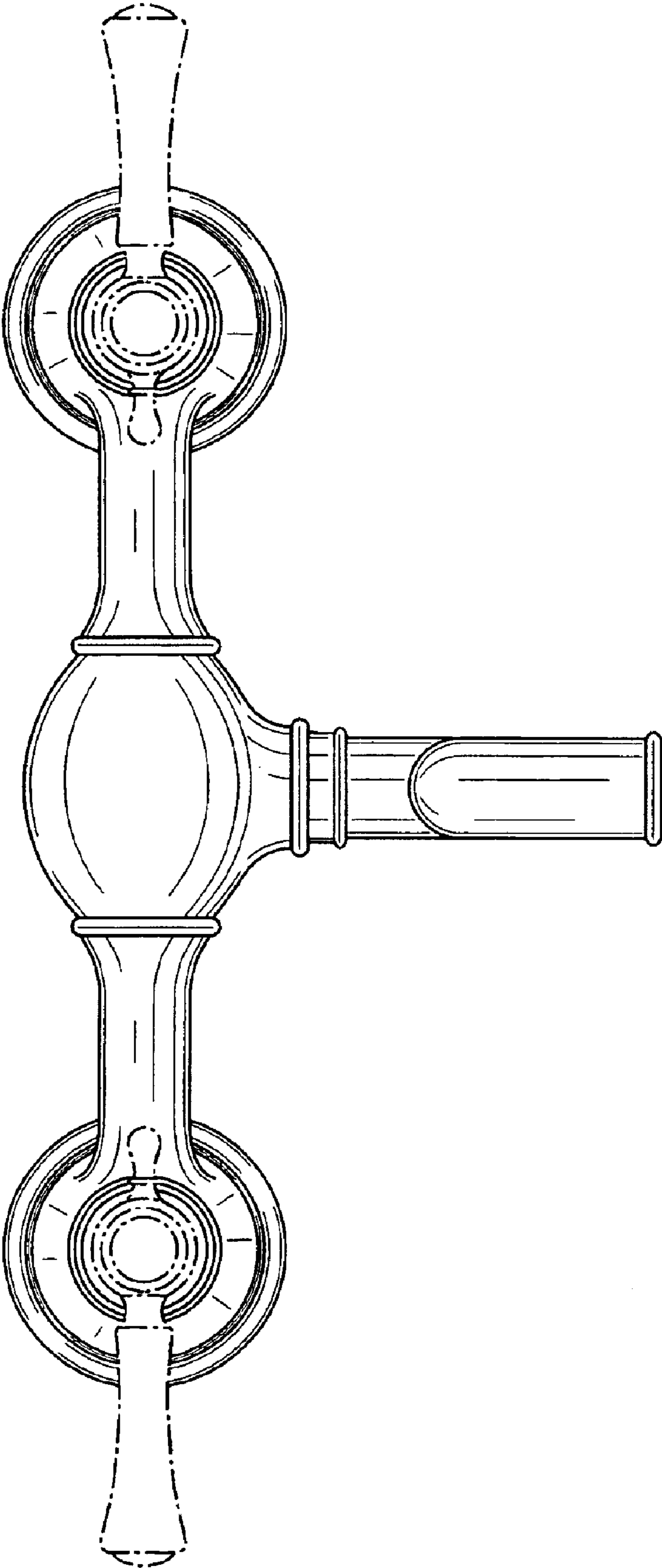


FIG. 2

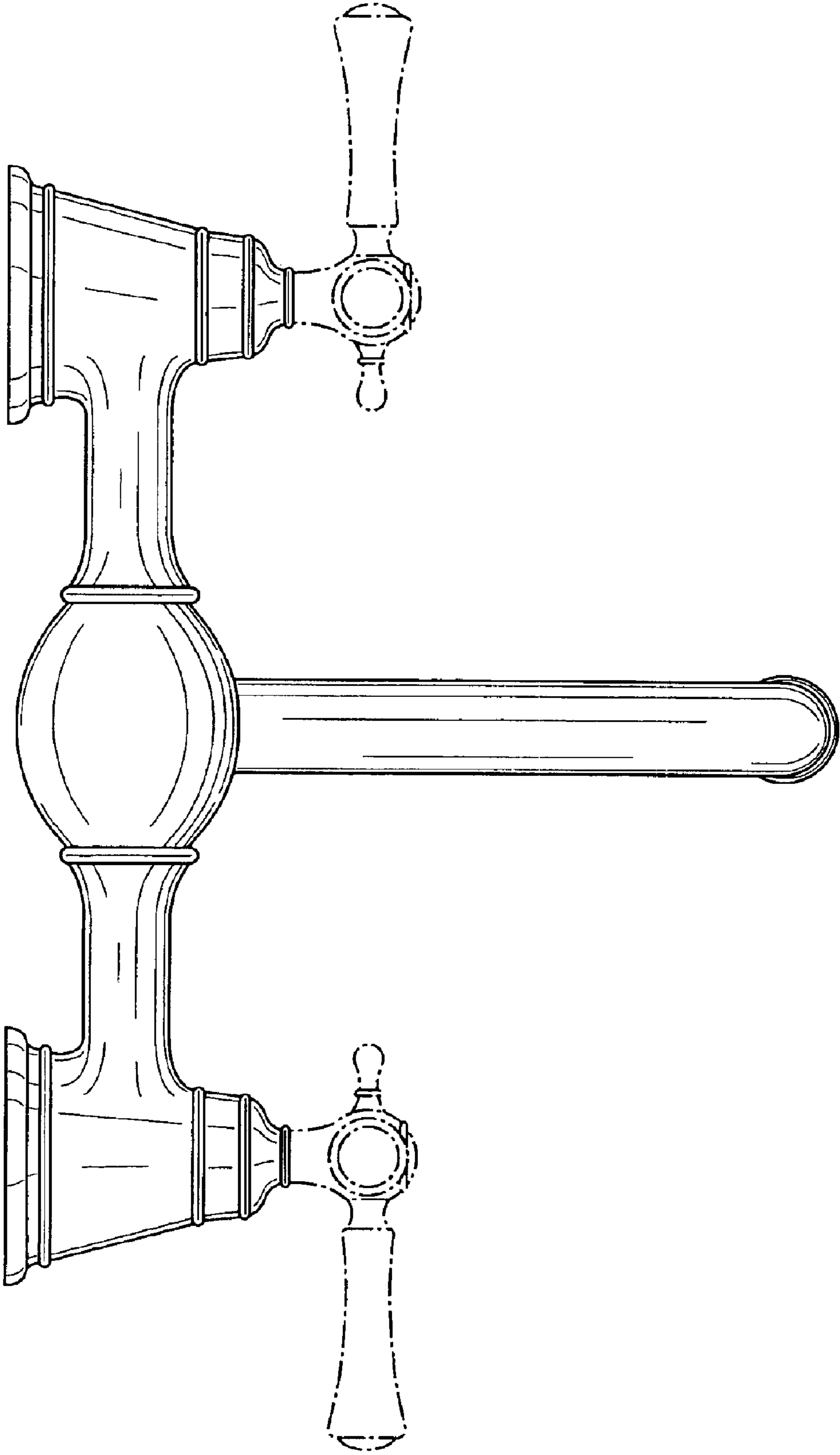


FIG. 3

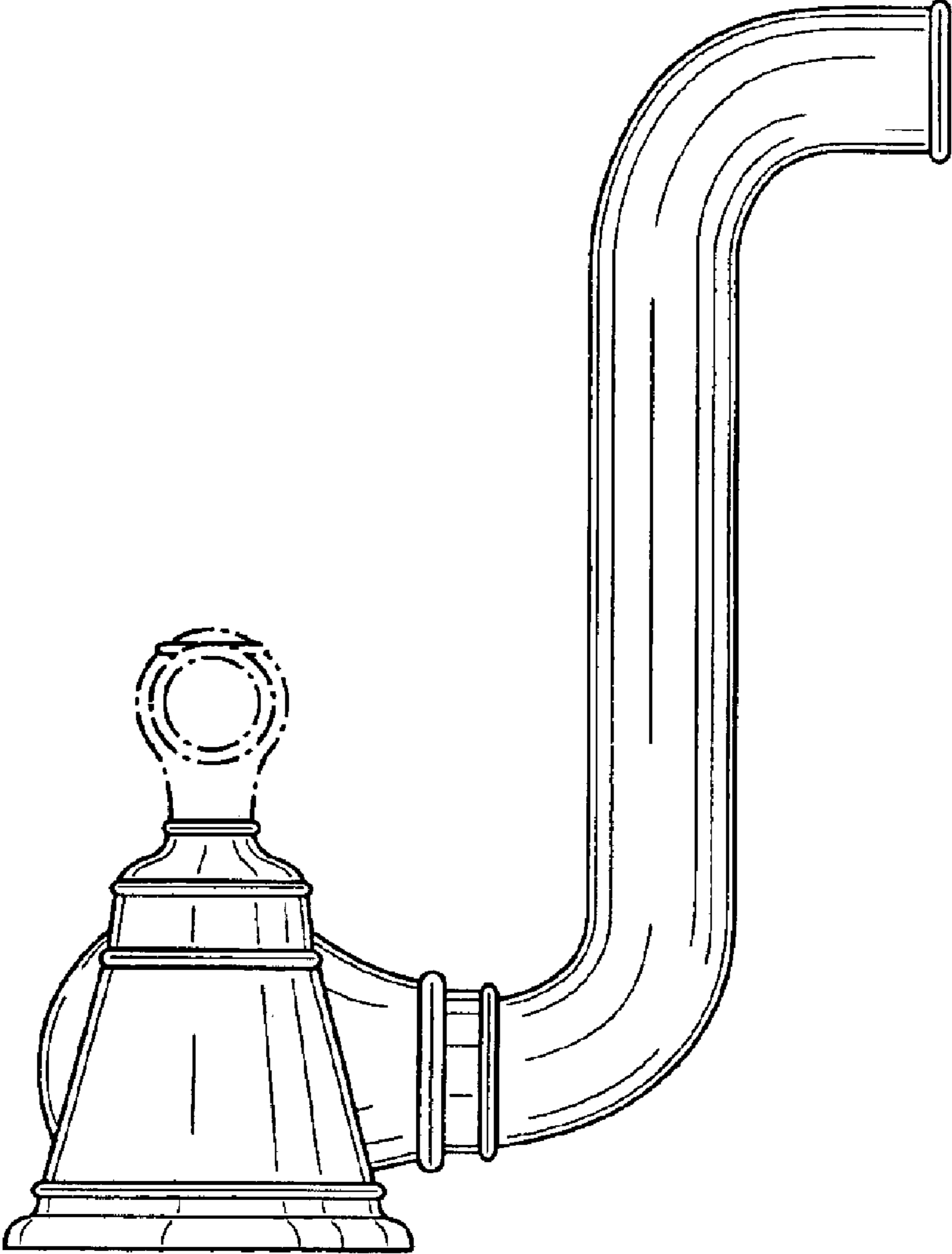


FIG. 4

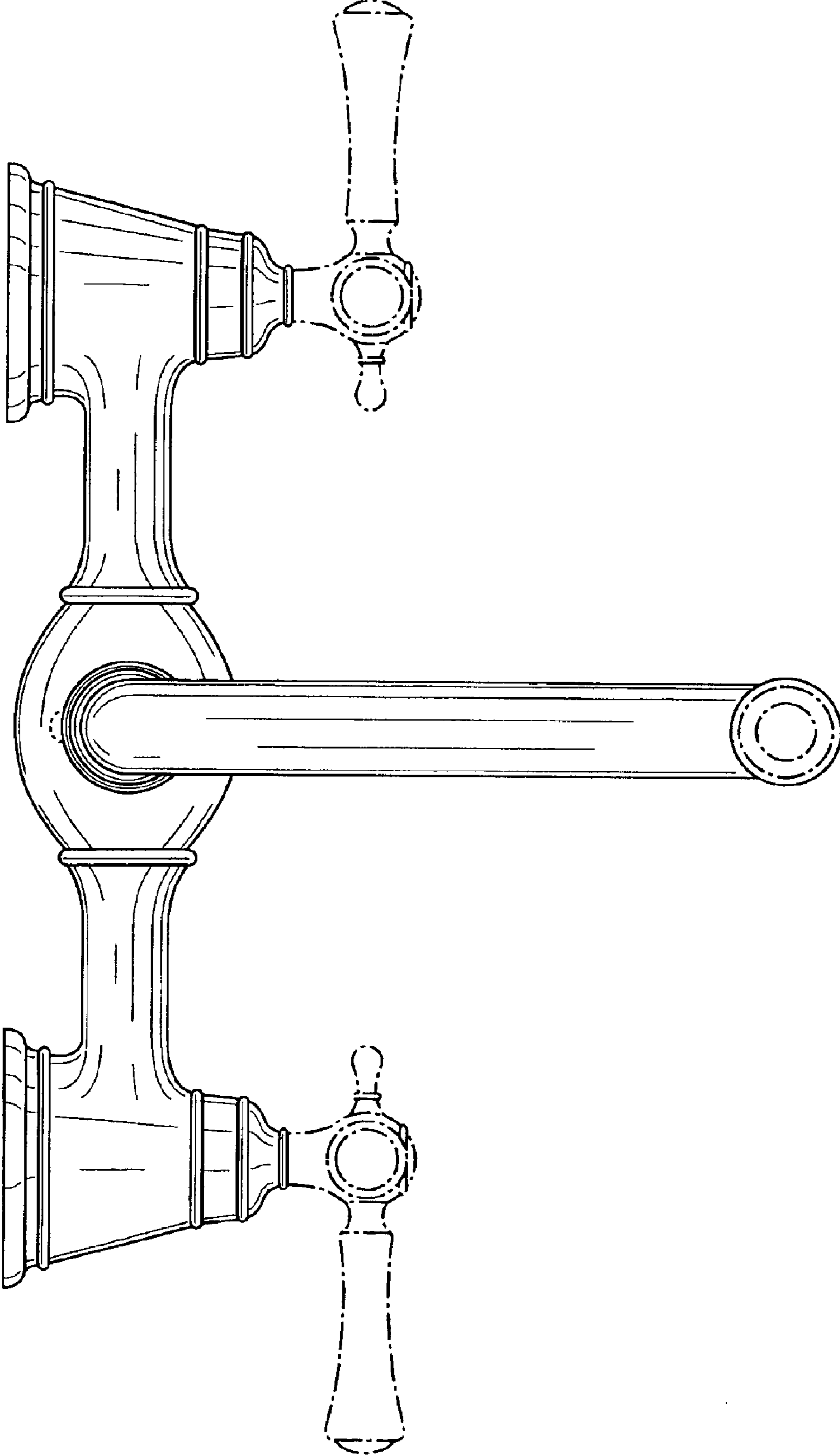


FIG. 5



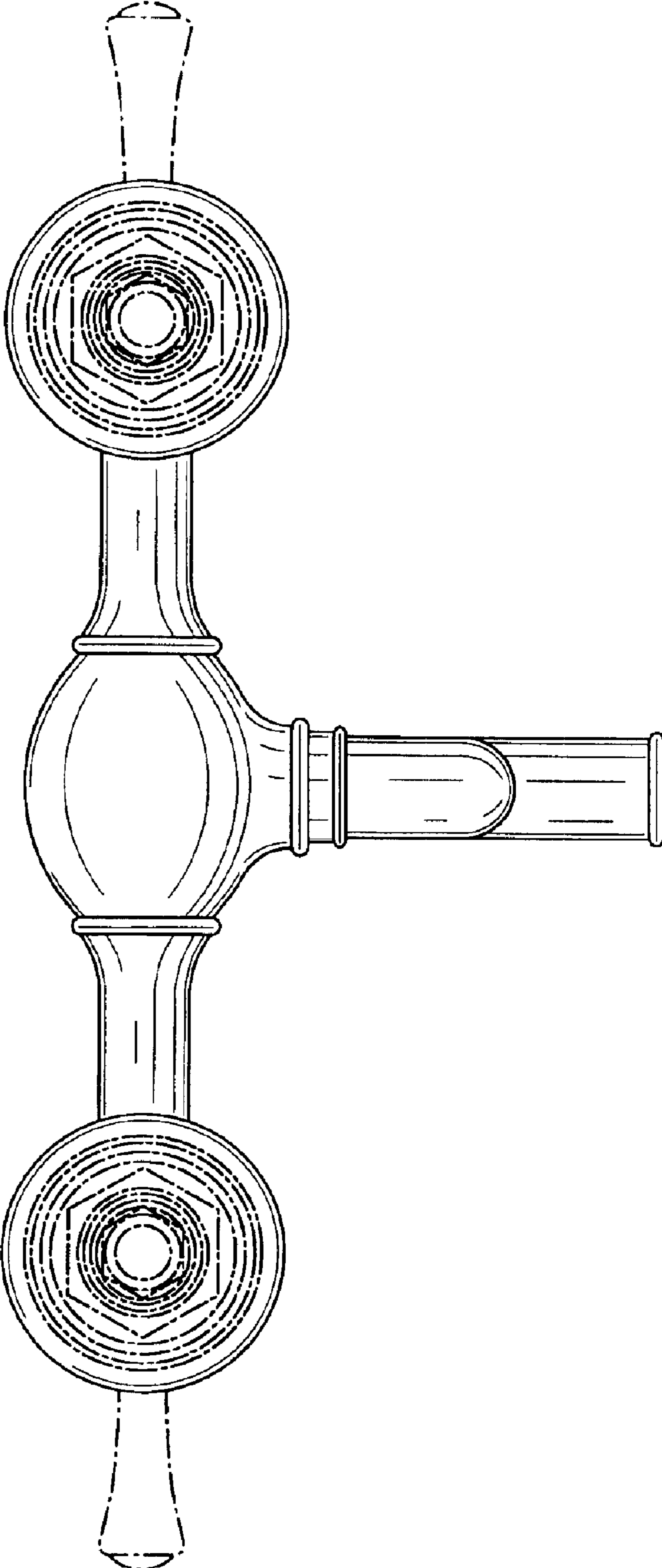


FIG. 6