



US00D512125S

(12) **United States Design Patent** (10) **Patent No.:** **US D512,125 S**
Kulig (45) **Date of Patent:** **** Nov. 29, 2005**

(54) **FAUCET**

(75) Inventor: **Zbigniew Kulig**, Milwaukee, WI (US)

(73) Assignee: **Graff Faucets**, Milwaukee, WI (US)

(**) Term: **14 Years**

(21) Appl. No.: **29/220,262**

(22) Filed: **Dec. 28, 2004**

(51) **LOC (8) Cl.** **23-01**

(52) **U.S. Cl.** **D23/238**

(58) **Field of Search** D23/238-257;
4/675-678; 137/801

(56) **References Cited**

U.S. PATENT DOCUMENTS

| | | | | | |
|------------|---|---------|-----------|-------|---------|
| D233,235 S | * | 10/1974 | Arbon | | D23/238 |
| D301,056 S | * | 5/1989 | Paul | | D23/242 |
| D310,865 S | * | 9/1990 | Strignano | | D23/241 |
| D325,773 S | * | 4/1992 | Paul | | D23/255 |
| D493,210 S | * | 7/2004 | Citterio | | D23/238 |

OTHER PUBLICATIONS

Kulig et al., U.S. Appl. No. 29/200,364, filed Feb. 26, 2004, entitled *Faucet*.

Kulig et al., U.S. Appl. No. 29/200,368, filed Feb. 26, 2004, entitled *Faucet Handle*.

Kulig, U.S. Appl. No. 29/200,423, filed Feb. 26, 2004, entitled *Faucet*.

* cited by examiner

Primary Examiner—Louis S. Zarfaz

Assistant Examiner—Gregory Andoll

(74) *Attorney, Agent, or Firm*—Boyle Fredrickson Newholm Stein & Gratz S.C.

(57) **CLAIM**

The ornamental design for a faucet, as shown and described.

DESCRIPTION

FIG. 1 is perspective view of a faucet incorporating my new design, viewed from in front of, above, and from the left side of the faucet;

FIG. 2 is a front elevation view thereof;

FIG. 3 is a rear elevation view thereof;

FIG. 4 is a top plan view thereof;

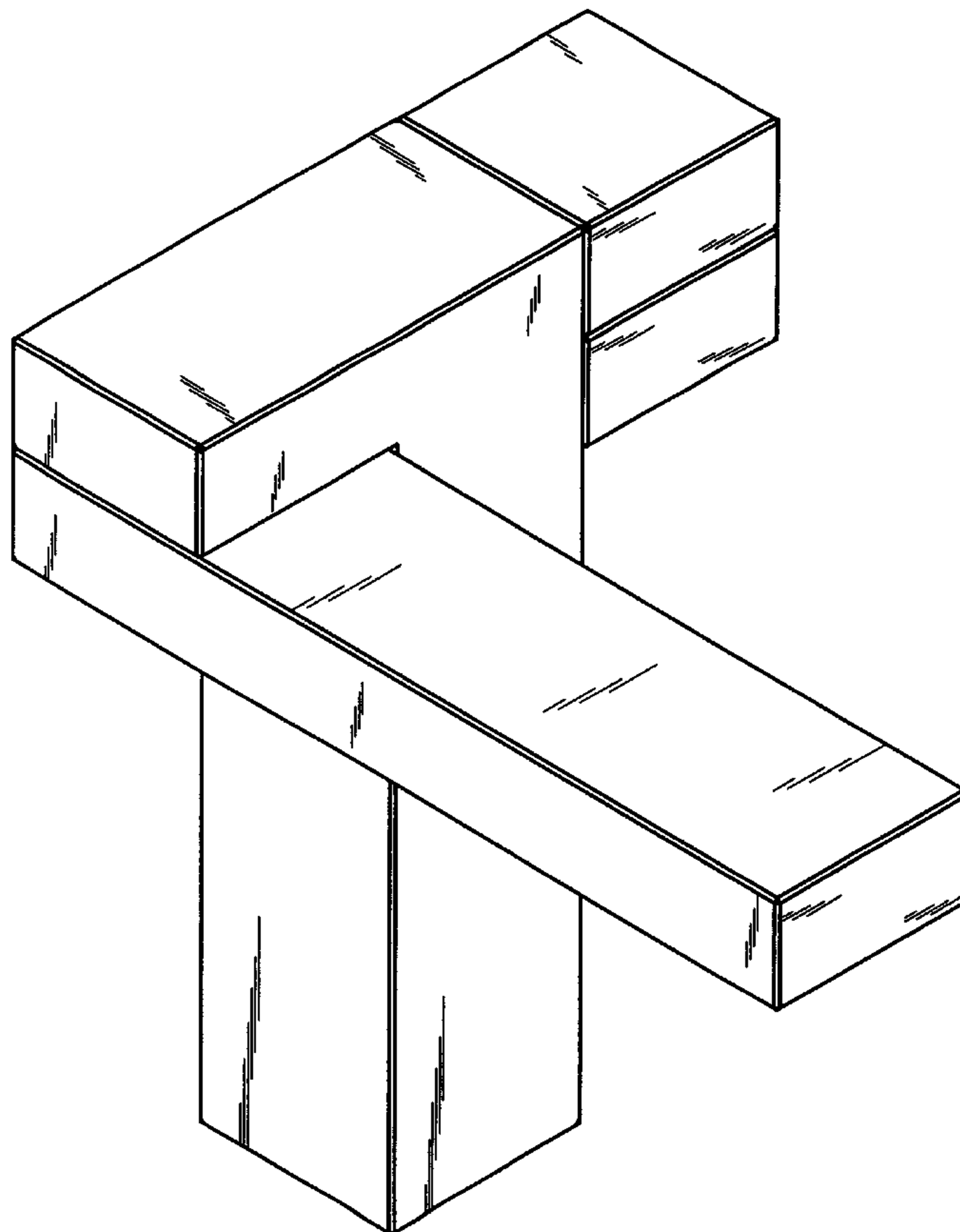
FIG. 5 is a bottom plan view thereof;

FIG. 6 is a left-side elevation view thereof; and,

FIG. 7 is a right-side elevation view thereof.

The broken lines in the Figures are for illustrative purposes only and form no part of the claimed design.

1 Claim, 7 Drawing Sheets



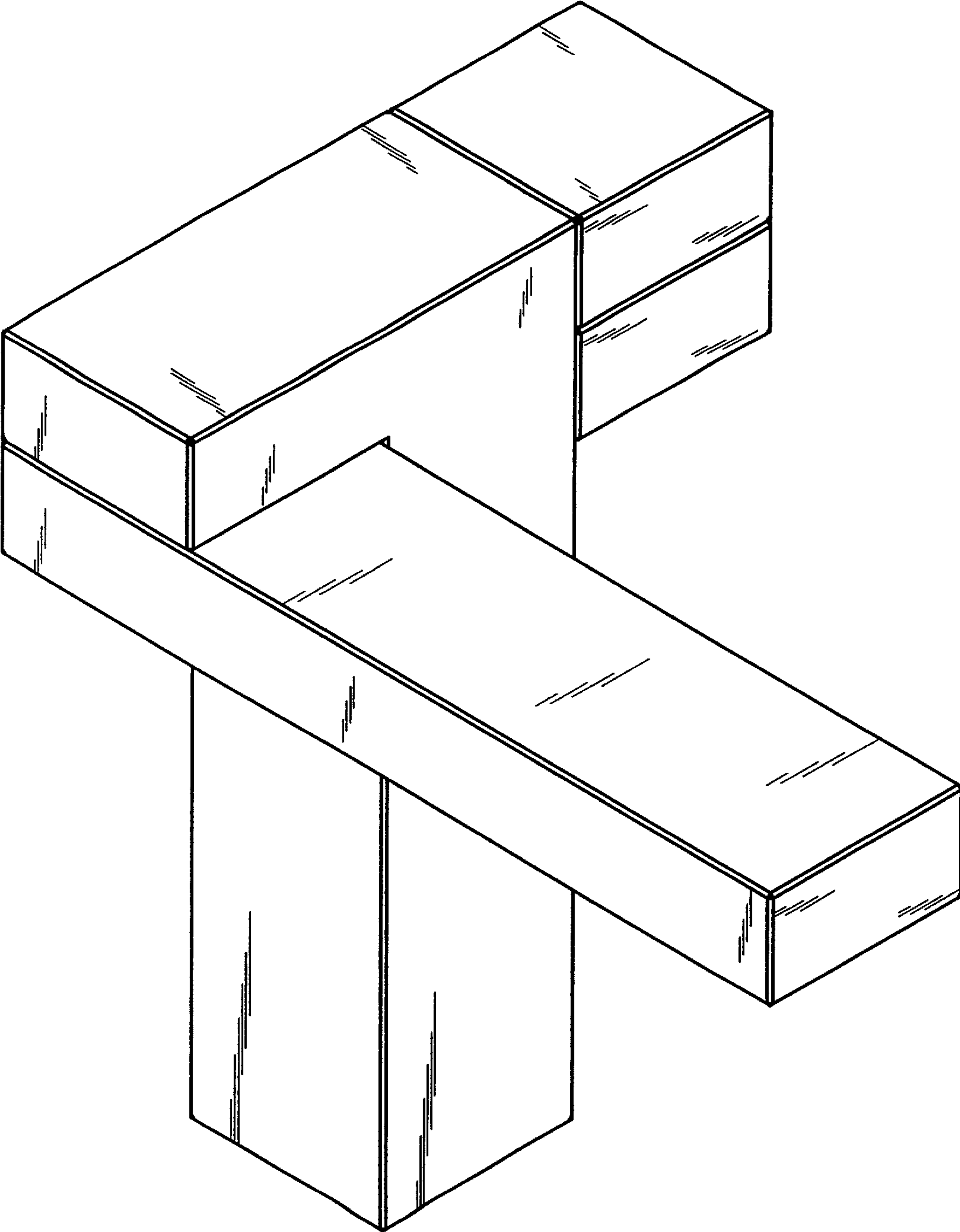


FIG. 1

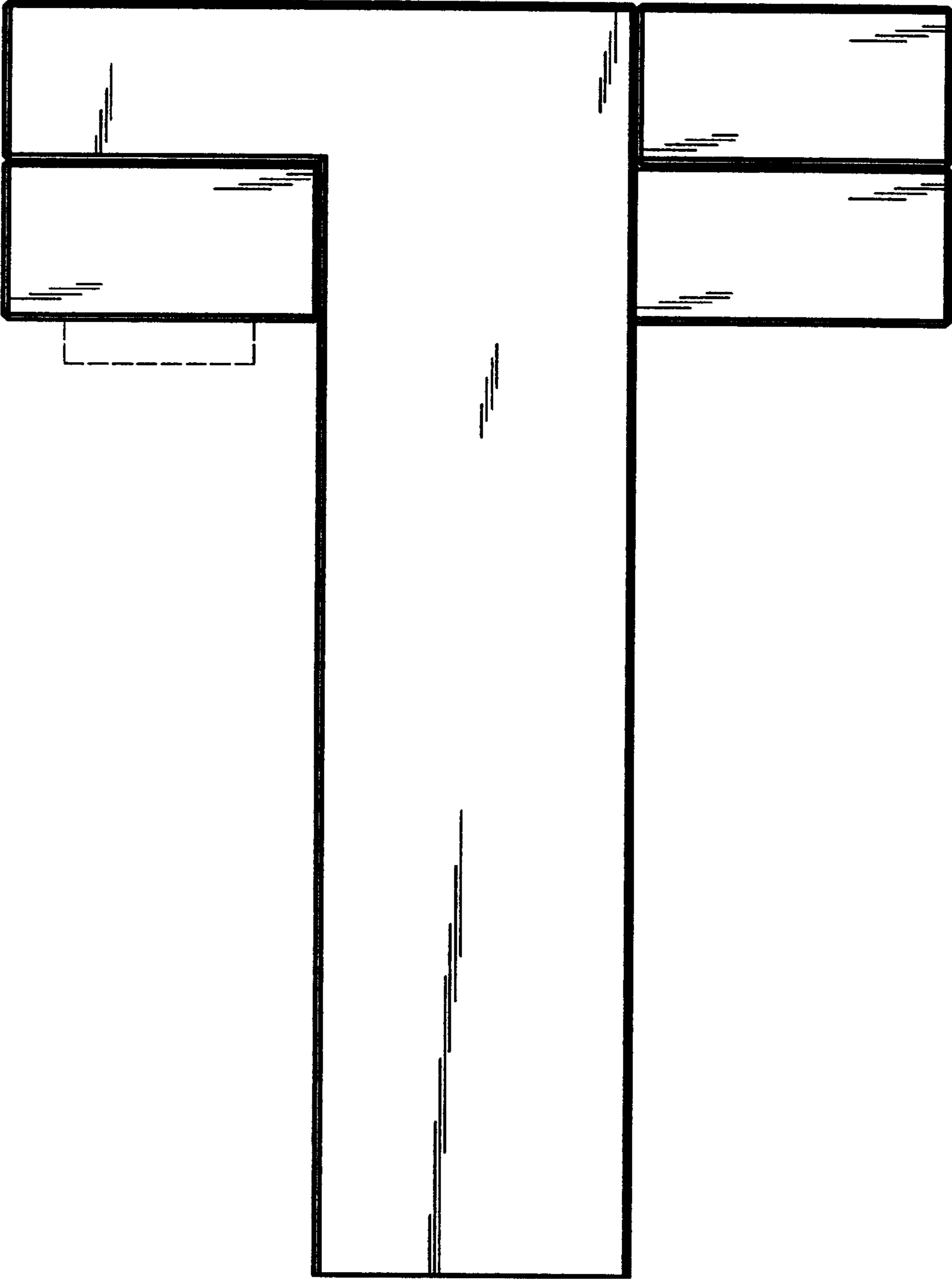


FIG. 2

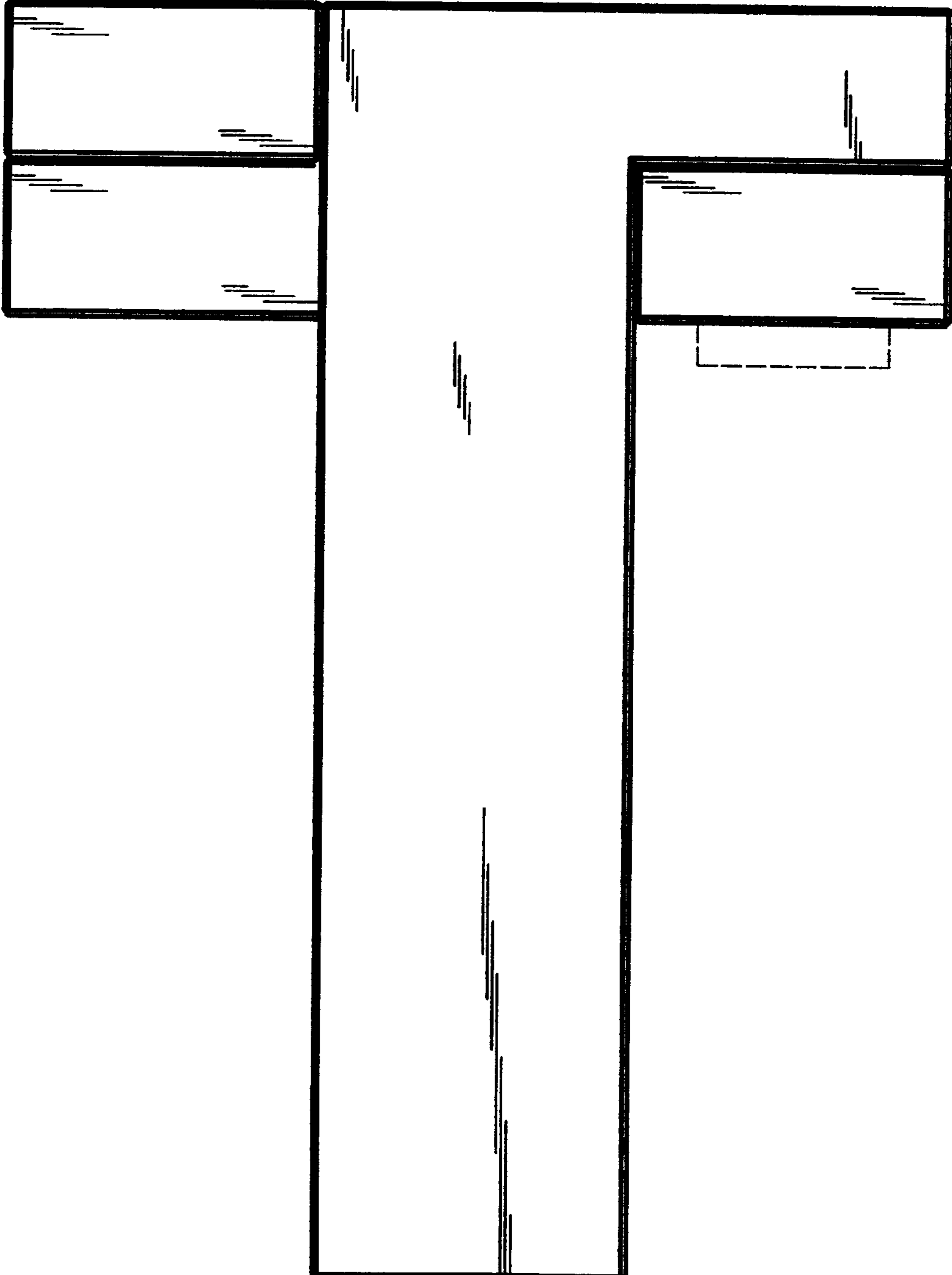


FIG. 3

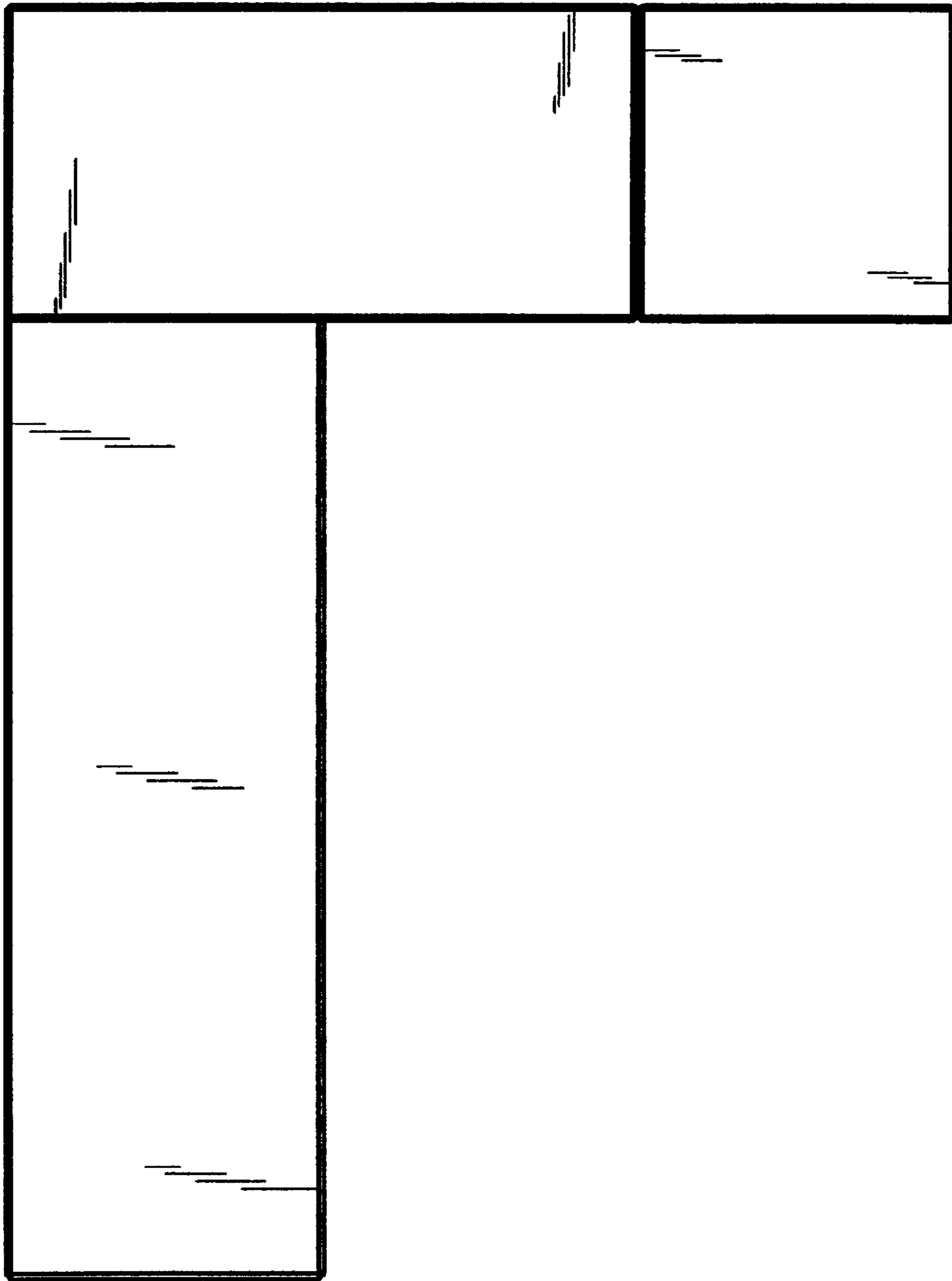


FIG. 4

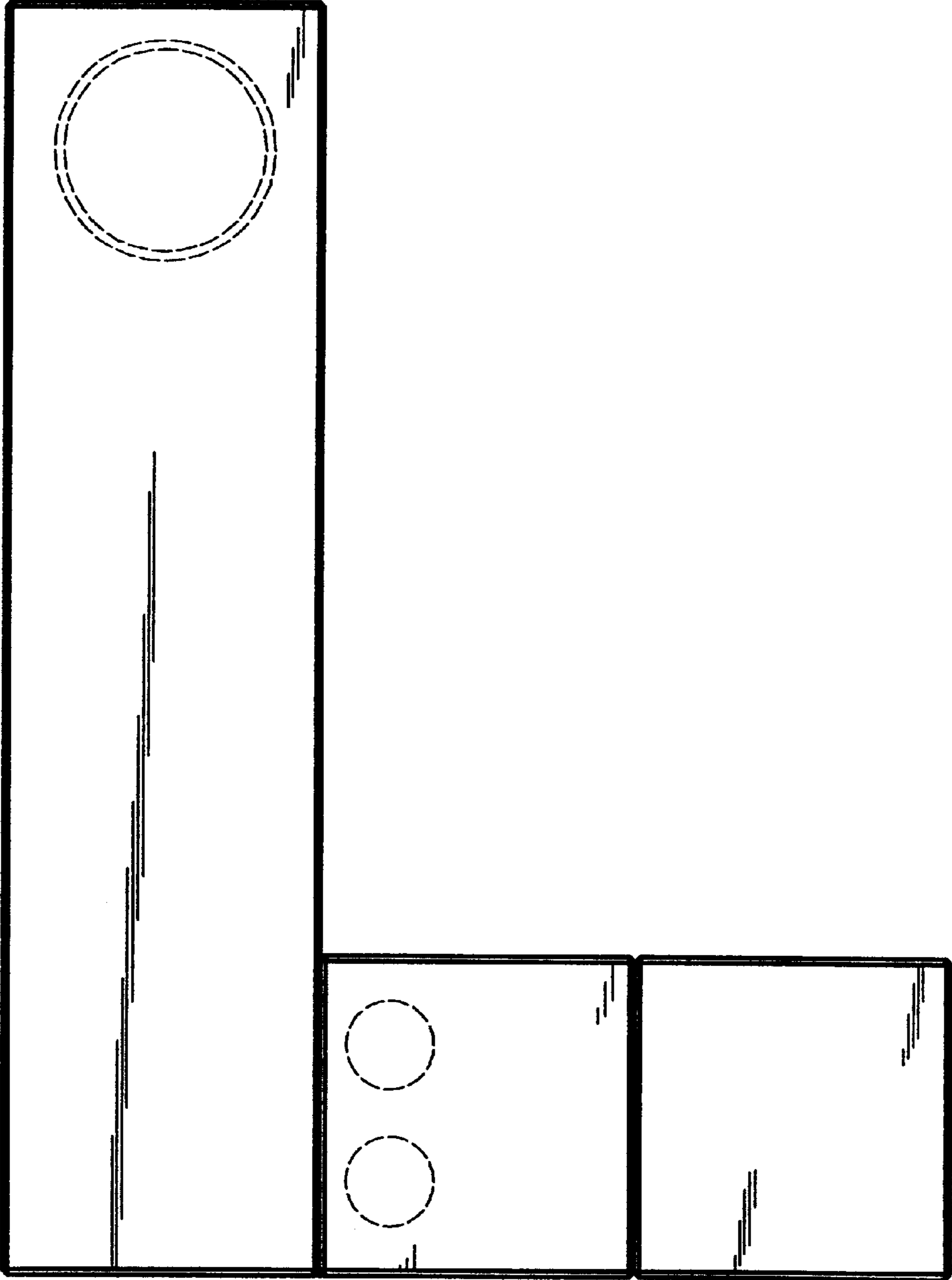


FIG. 5

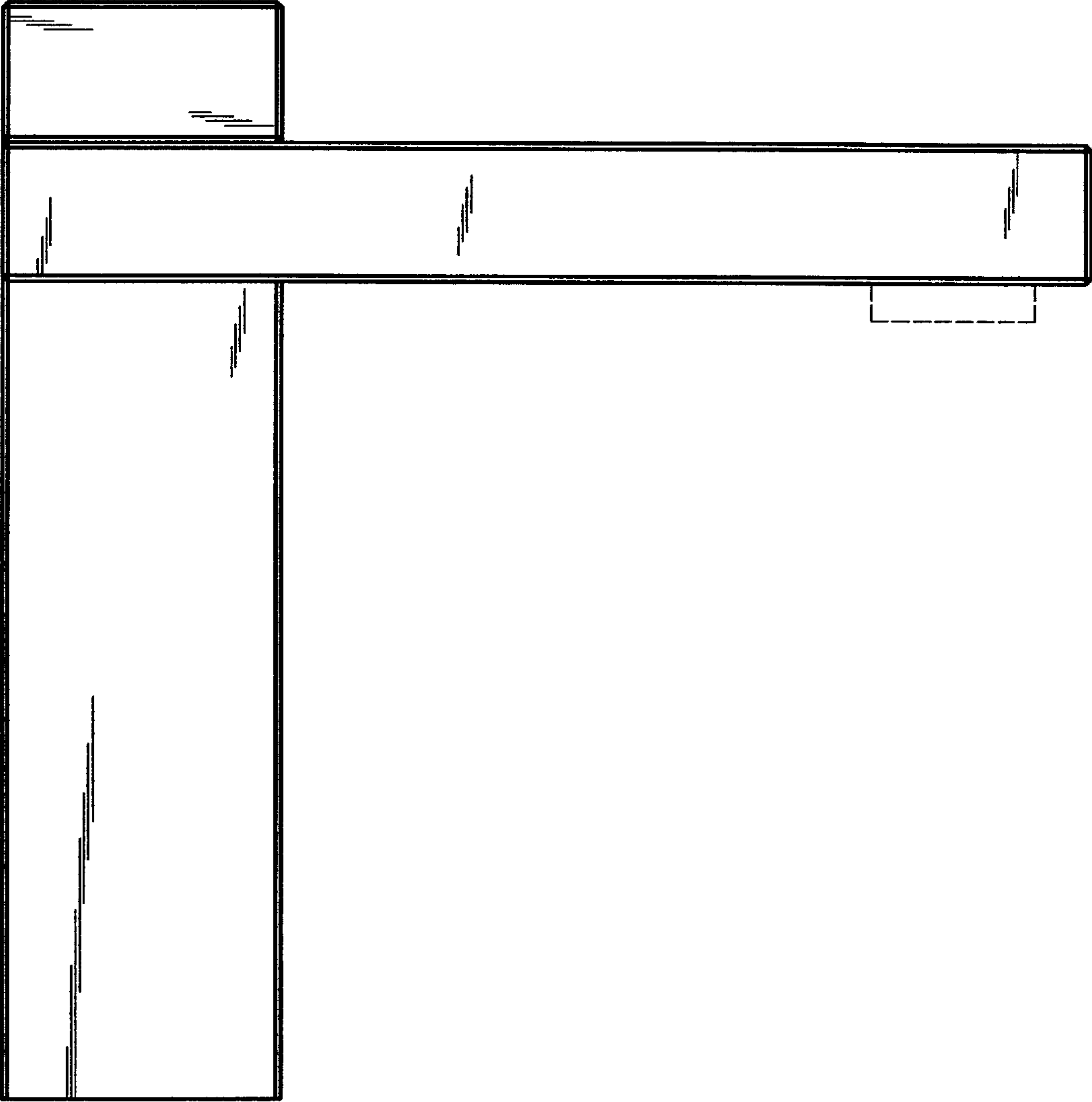


FIG. 6

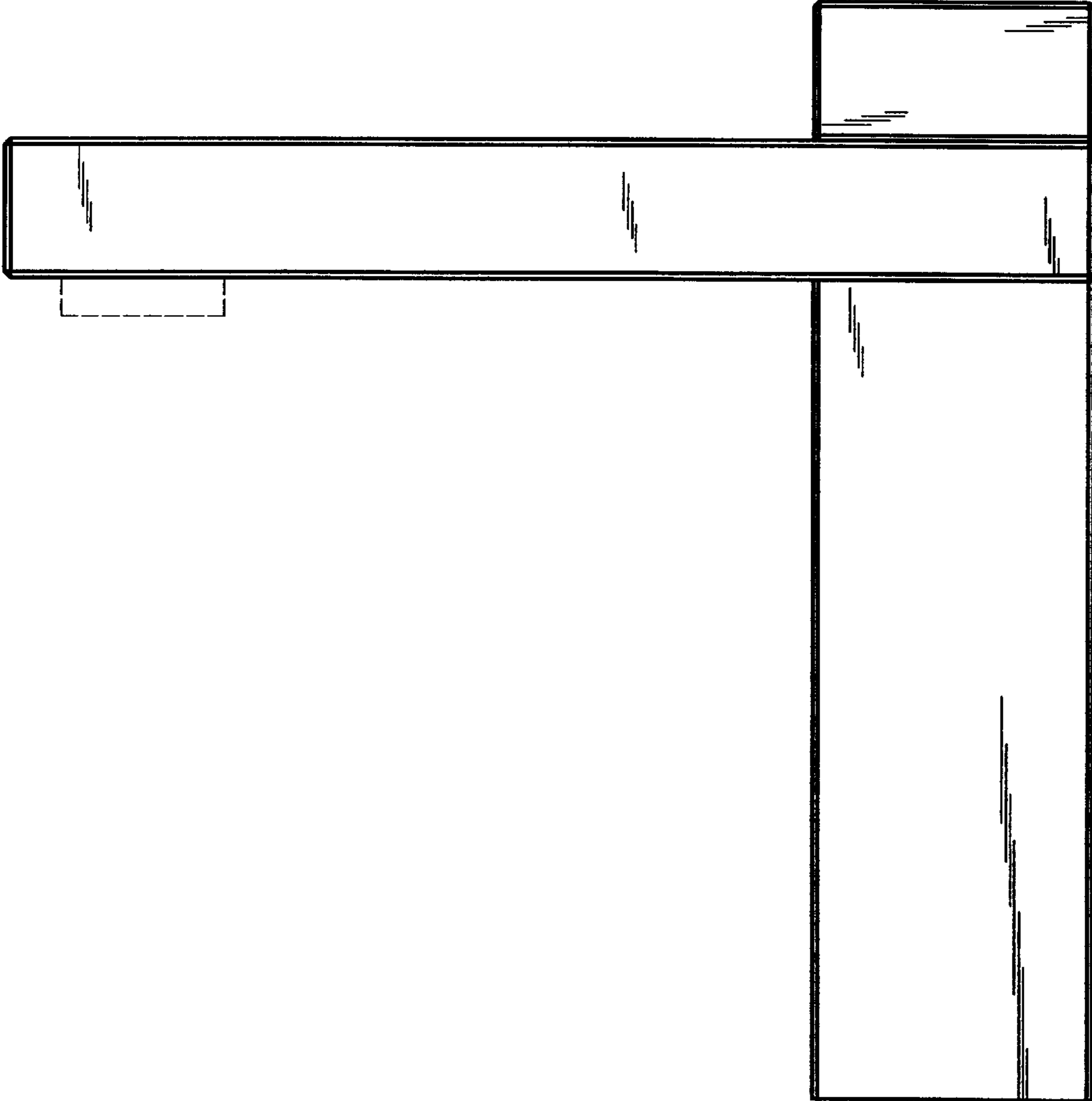


FIG. 7