



US00D512123S

(12) **United States Design Patent**
Lin

(10) **Patent No.:** **US D512,123 S**

(45) **Date of Patent:** **** Nov. 29, 2005**

(54) **BATHTUB FAUCET**

D464,110 S * 10/2002 Saraya D23/238

(75) **Inventor:** **Shih Hung Lin**, Taichung Export Processing Zone (TW)

* cited by examiner

(73) **Assignee:** **Globe Union Industrial Corp.**, Taichung (TW)

Primary Examiner—Louis S. Zarfes

Assistant Examiner—Gregory Andoll

(74) *Attorney, Agent, or Firm*—Leong C. Lei

(**) **Term:** **14 Years**

(57) **CLAIM**

The ornamental design for a bathtub faucet, as shown and described.

(21) **Appl. No.:** **29/196,806**

(22) **Filed:** **Jan. 7, 2004**

DESCRIPTION

(51) **LOC (8) Cl.** **23-01**

FIG. 1 is a perspective view of a bathtub faucet showing my new design;

(52) **U.S. Cl.** **D23/238**

FIG. 2 is a front side elevation view thereof;

(58) **Field of Search** D23/238–257;

FIG. 3 is a rear side elevation view thereof;

4/675–678; 137/801

FIG. 4 is a right side elevation view thereof;

FIG. 5 is a left side elevation view thereof;

FIG. 6 is a top plan view thereof; and,

FIG. 7 is a bottom plan view thereof.

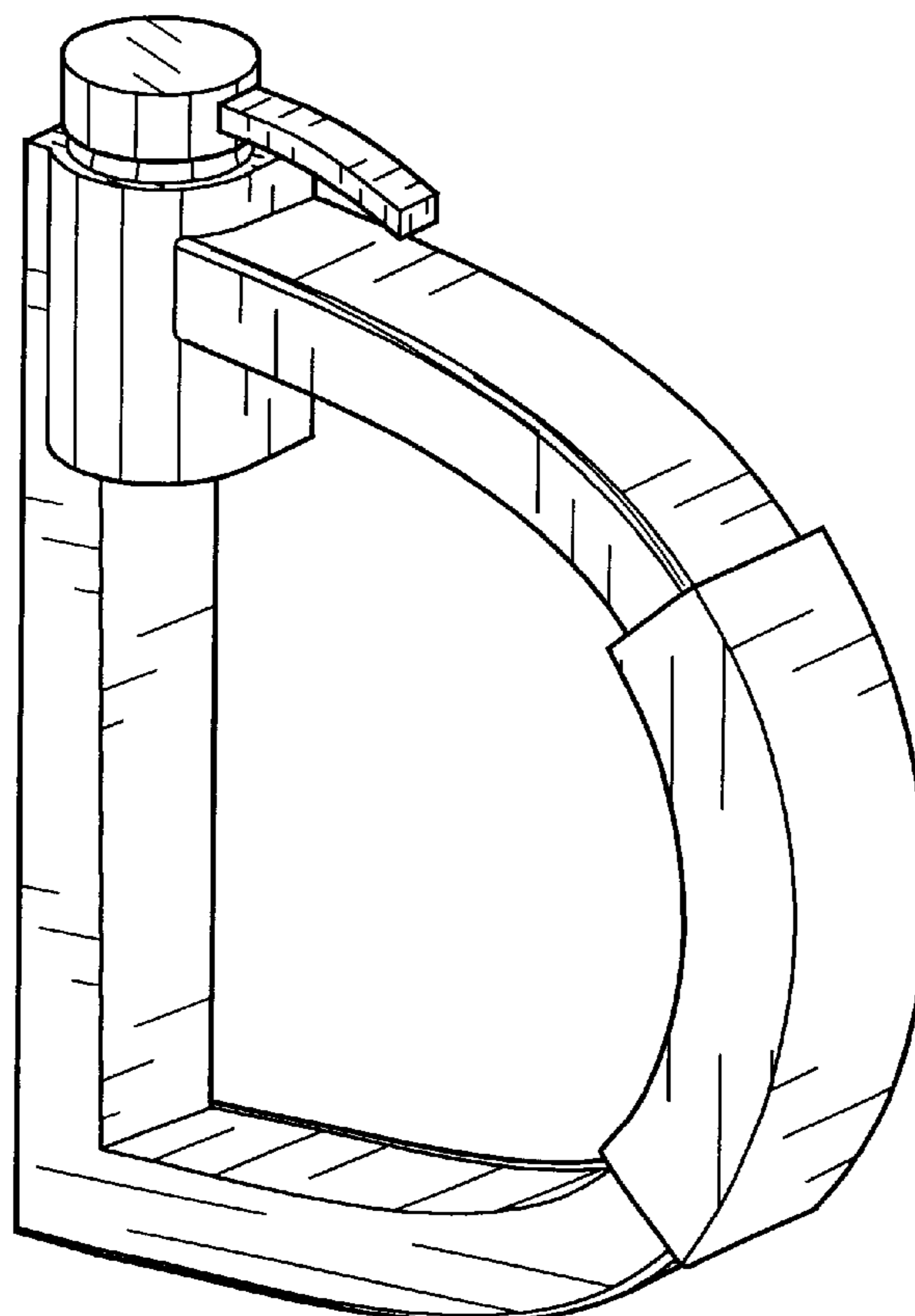
(56) **References Cited**

U.S. PATENT DOCUMENTS

D7,452 S	*	5/1874	Boettcher	D23/238
D7,463 S	*	6/1874	Hills	D23/238
D91,171 S	*	12/1933	Lemieux	D23/252
D203,244 S	*	12/1965	Bilkiss	D23/255
D240,928 S	*	8/1976	Metivier et al.	D23/238

The broken lines in the Figures are for illustrative purposes only and form no part of the claimed design.

1 Claim, 4 Drawing Sheets



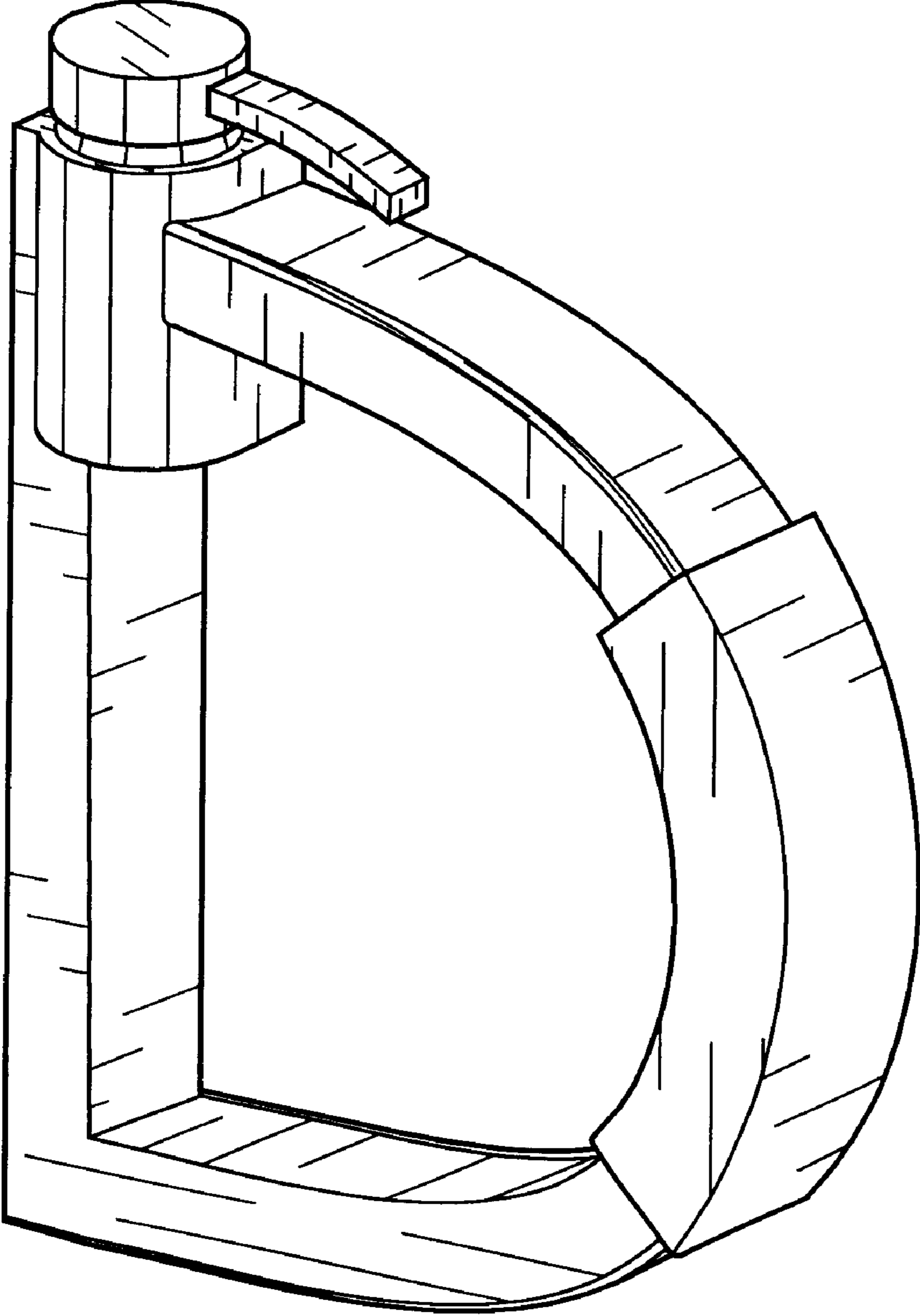


FIG. 1

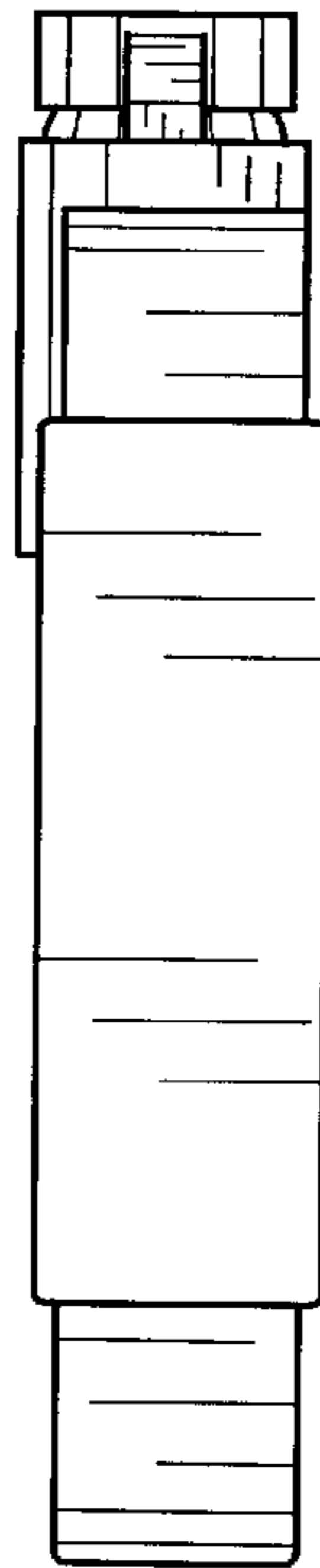


FIG. 2

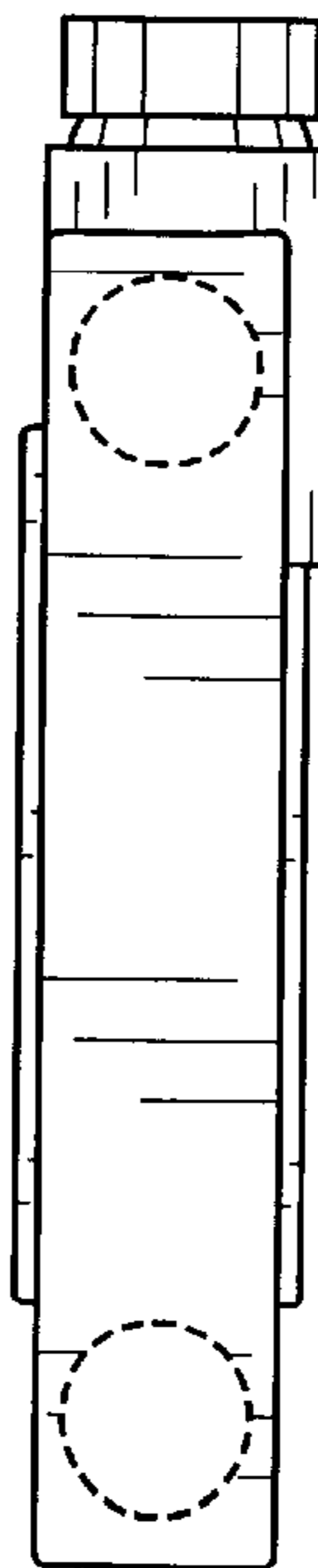


FIG. 3

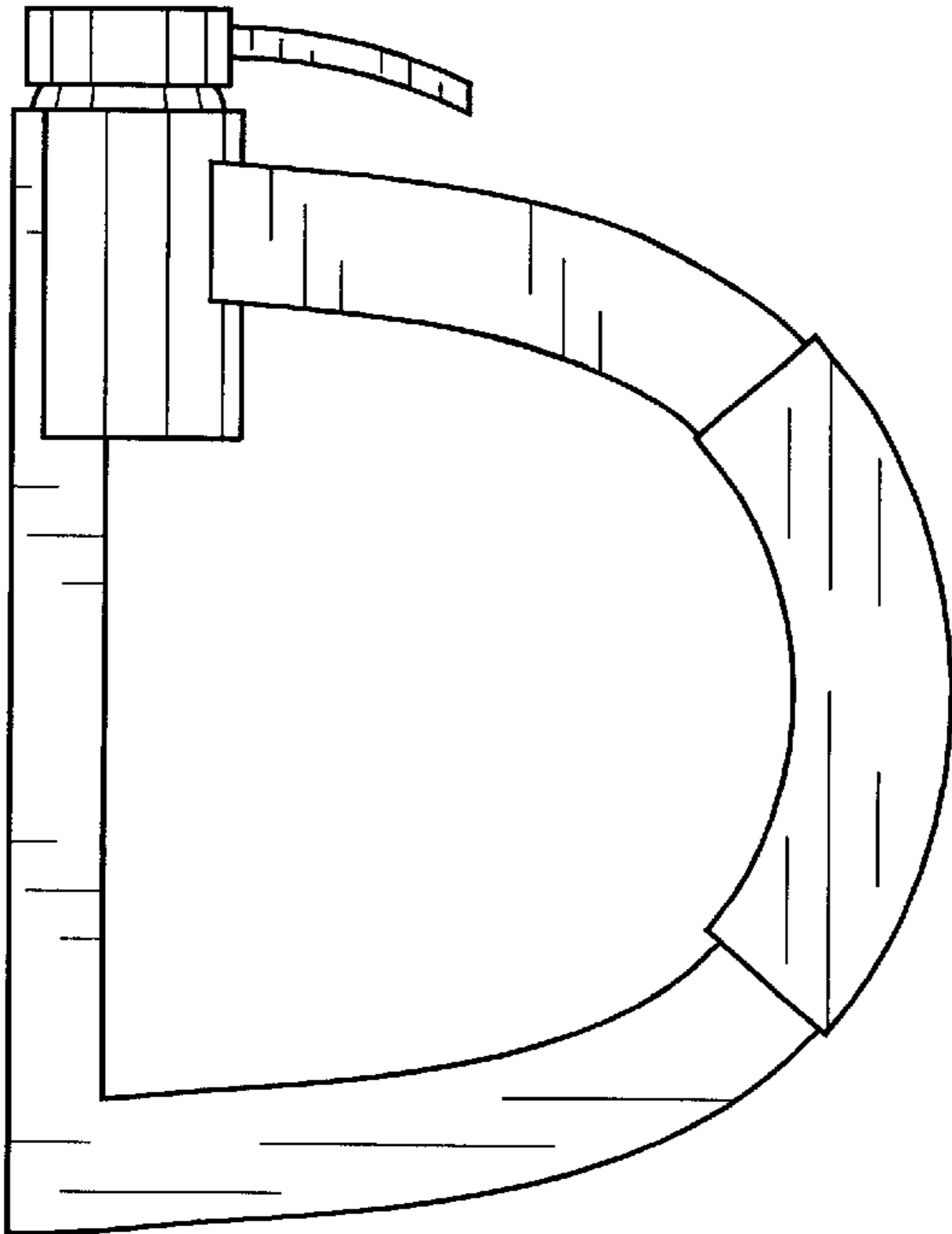


FIG. 4

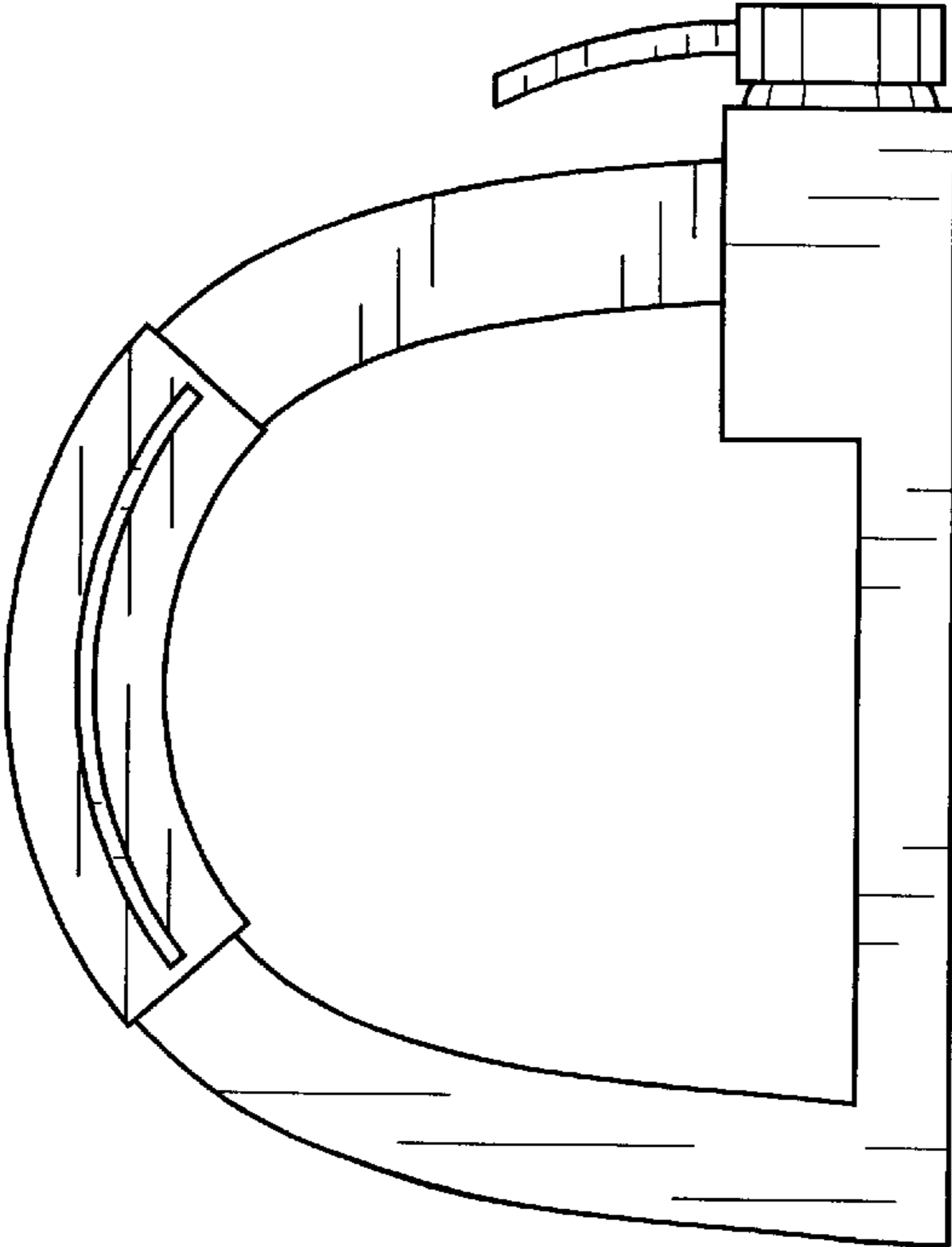


FIG. 5

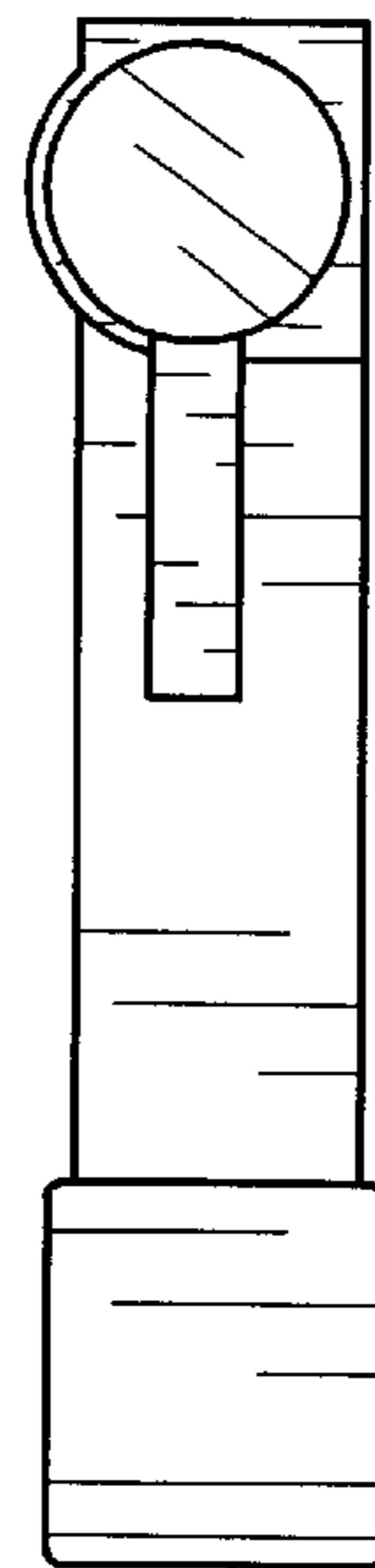


FIG. 6

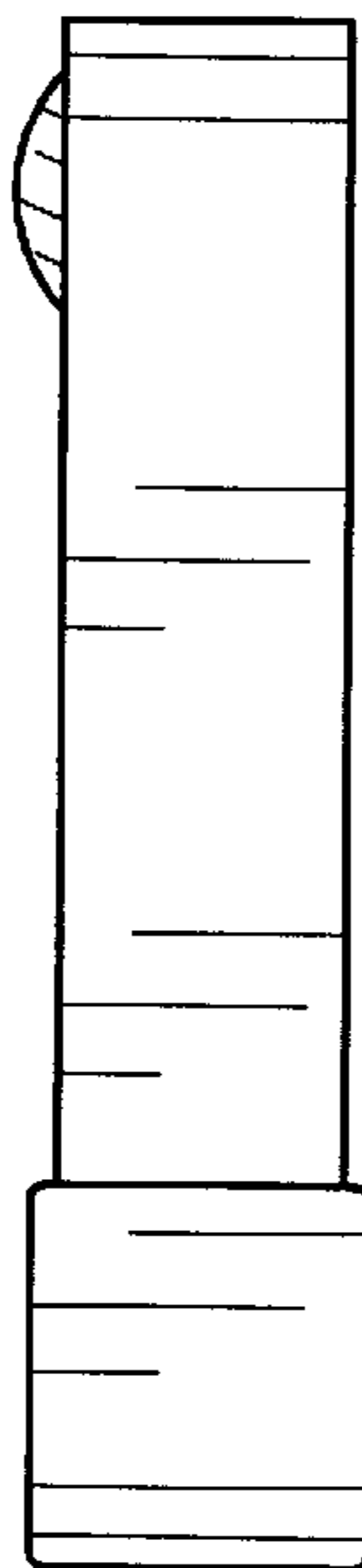


FIG. 7