



US00D512122S

(12) **United States Design Patent**
Yorns et al.

(10) **Patent No.:** **US D512,122 S**

(45) **Date of Patent:** **** Nov. 29, 2005**

(54) **AIRGUN HANDLE AND BODY**

(75) Inventors: **Mark W. Yorns**, Longmeadow, MA (US); **James W. Fletcher**, Wilbraham, MA (US); **Thomas C. Tremblay**, Concord, MA (US); **Brian T. Donovan**, Belchertown, MA (US)

(73) Assignee: **Guardair Corporation**, Chicopee, MA (US)

(**) Term: **14 Years**

(21) Appl. No.: **29/208,813**

(22) Filed: **Jul. 6, 2004**

(51) **LOC (8) Cl.** **23-01**

(52) **U.S. Cl.** **D23/223**

(58) **Field of Search** D23/213, 223,
D23/226; 239/525-7, 291

(56) **References Cited**

U.S. PATENT DOCUMENTS

3,599,876	A	*	8/1971	Kyburg	239/291
4,060,874	A	*	12/1977	Furutsutsumi	15/405
D358,450	S	*	5/1995	Casey	D23/223
D372,517	S	*	8/1996	Farnsteiner	D23/223
D419,641	S	*	1/2000	Wilson	D23/223
6,612,506	B1	*	9/2003	Huang	239/291

* cited by examiner

Primary Examiner—Robin V. Taylor

(74) *Attorney, Agent, or Firm*—Holland & Bonzagni, P.C.;
Donald S. Holland, Esq.

(57) **CLAIM**

The ornamental design for an “airgun handle and body,” as shown and described.

DESCRIPTION

FIG. 1 is a front perspective view of an “airgun handle and body”, showing a first embodiment of our new design;

FIG. 2 is a left-side elevational view of the “airgun handle and body” of FIG. 1, where the right-hand side is identical;

FIG. 3 is a front elevational view of the “airgun handle and body” of FIG. 1;

FIG. 4 is a rear elevational view of the “airgun handle and body” of FIG. 1;

FIG. 5 is a bottom plan view of the “airgun handle and body” of FIG. 1;

FIG. 6 is a top plan view of the “airgun handle and body” of FIG. 1;

FIG. 7 is a front perspective view of a second embodiment of the “airgun handle and body” of FIG. 1, the only difference being the lack of a finger rest on the front of the handle;

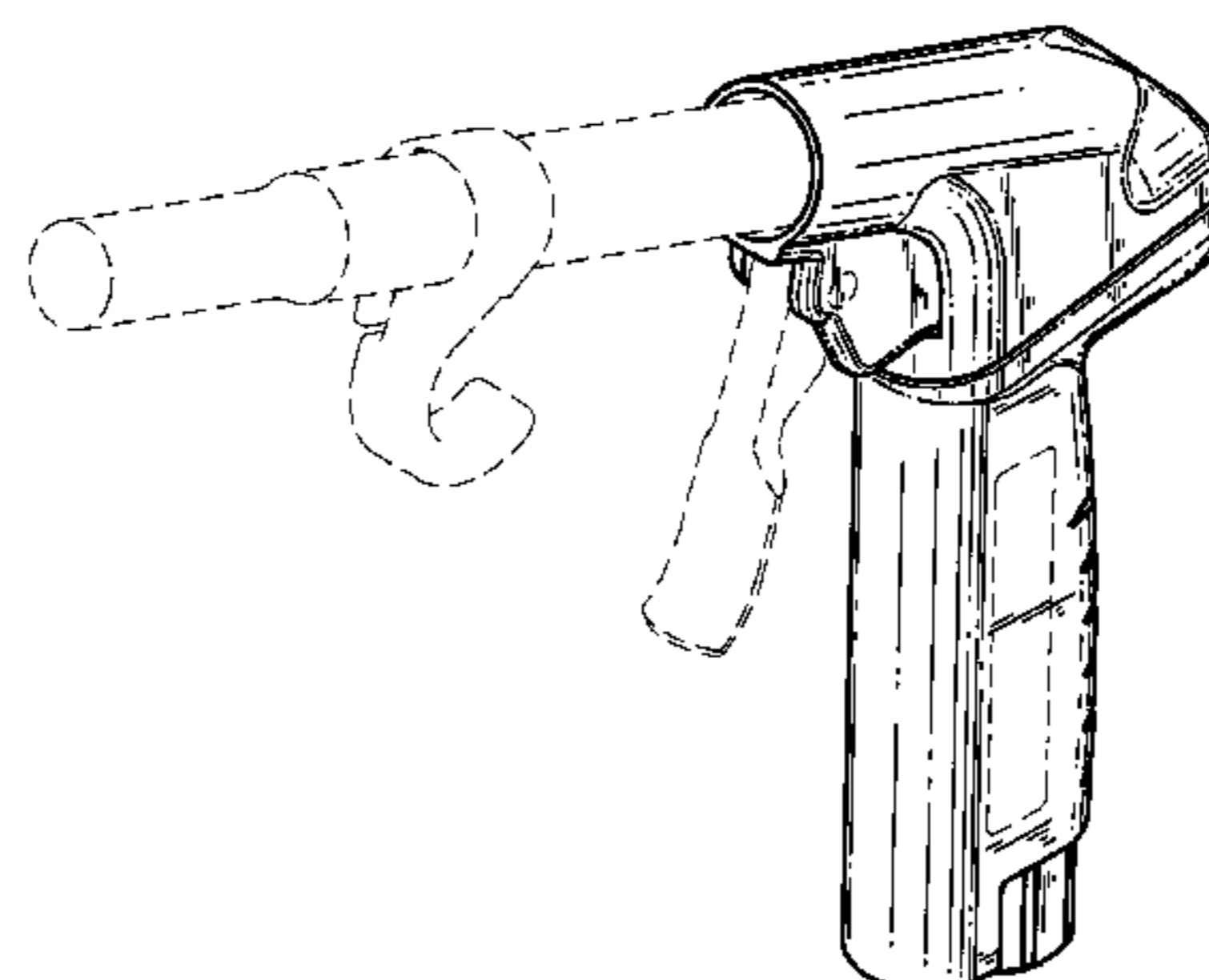
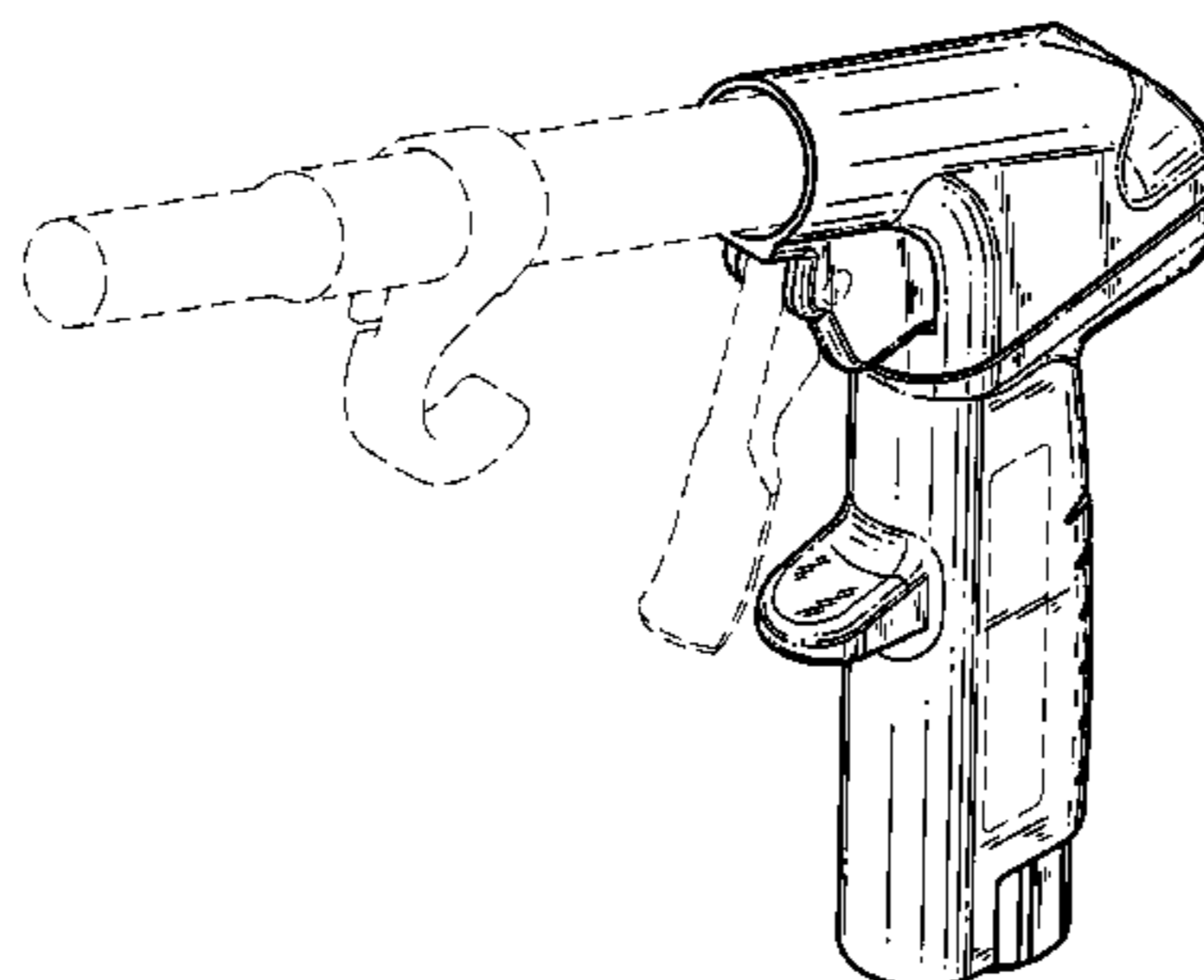
FIG. 8 is a left-side elevational view of the “airgun handle and body” of FIG. 7, where the right-hand side is identical;

FIG. 9 is a front elevational view of the “airgun handle and body” of FIG. 7; and,

FIG. 10 is a bottom plan view of the “airgun handle and body” of FIG. 7.

The broken lines in all the figures are for illustrative purposes only and form no part of the claimed design.

1 Claim, 4 Drawing Sheets



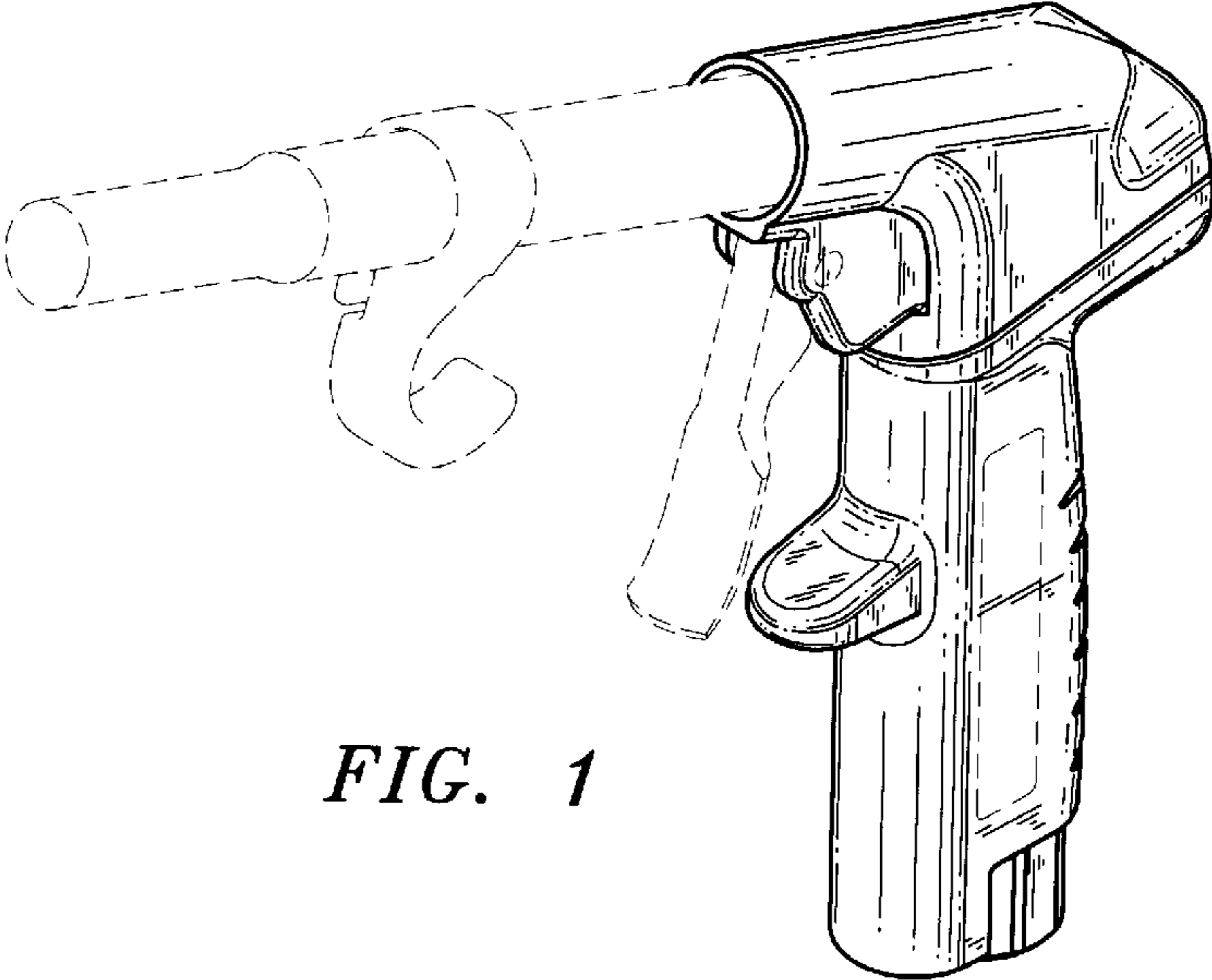


FIG. 1

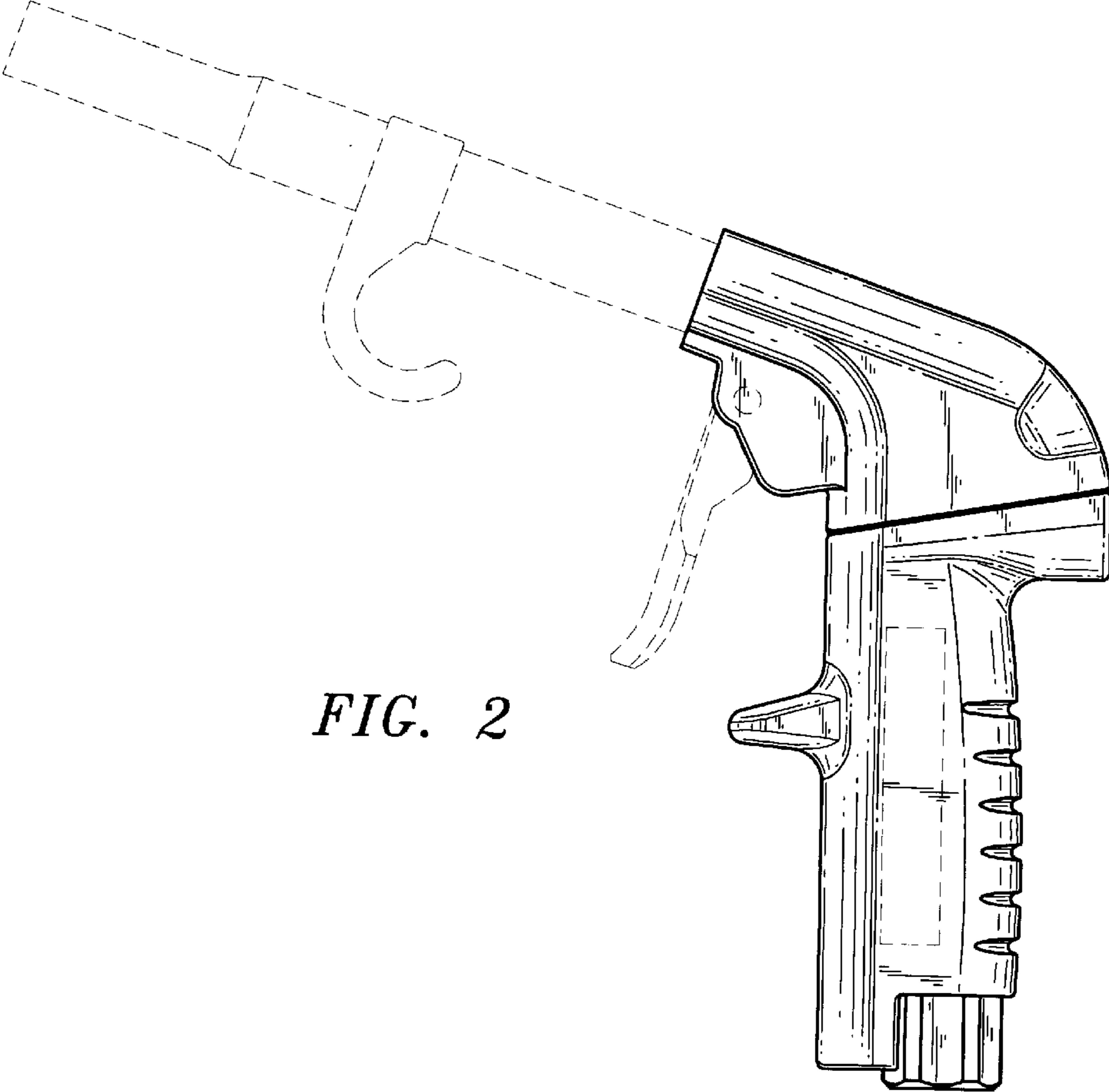


FIG. 2

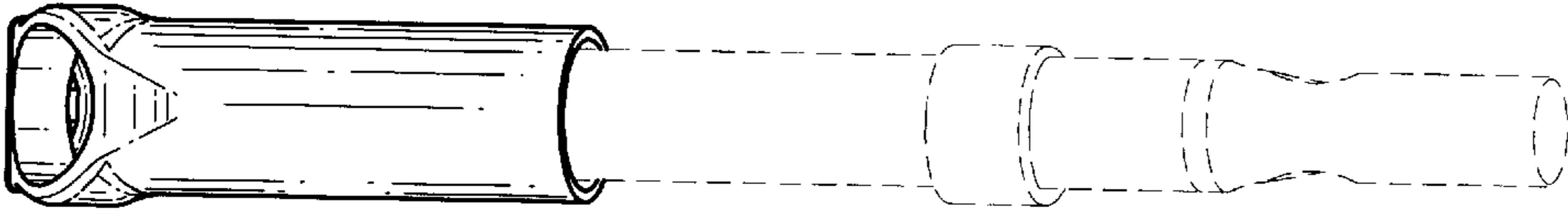


FIG. 6

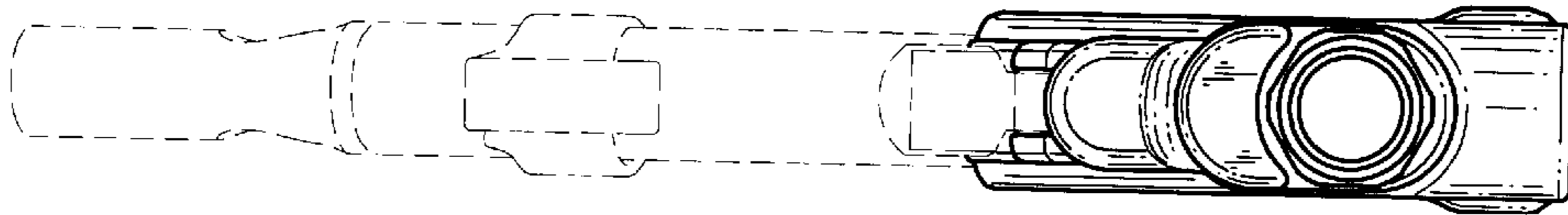


FIG. 5

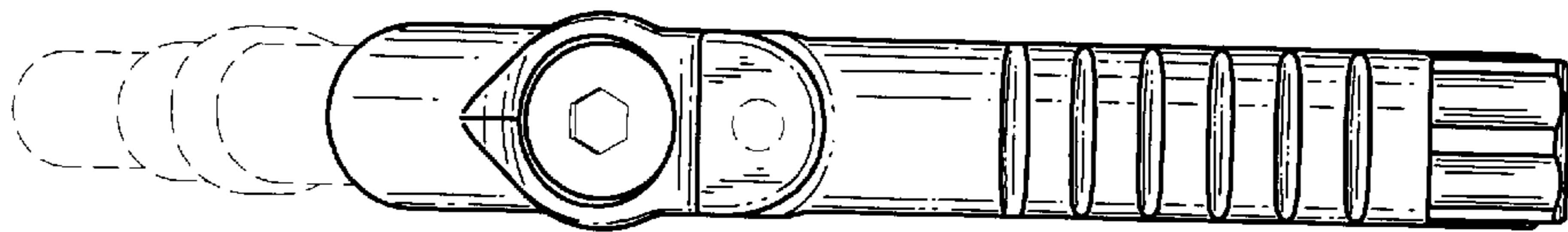


FIG. 4

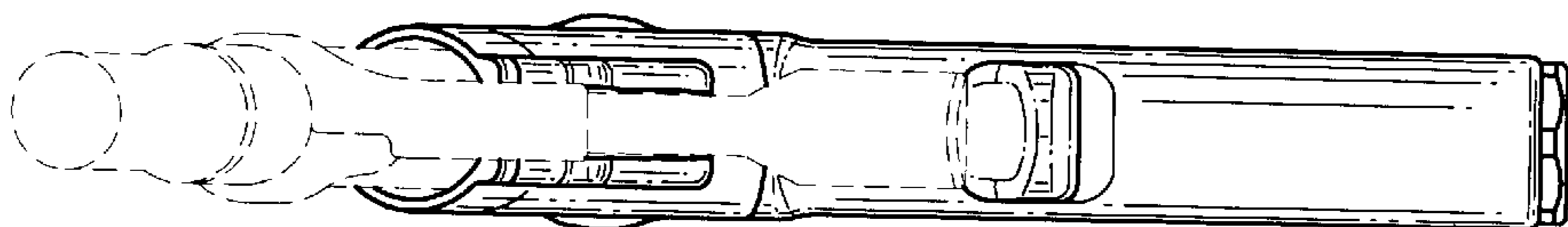


FIG. 3

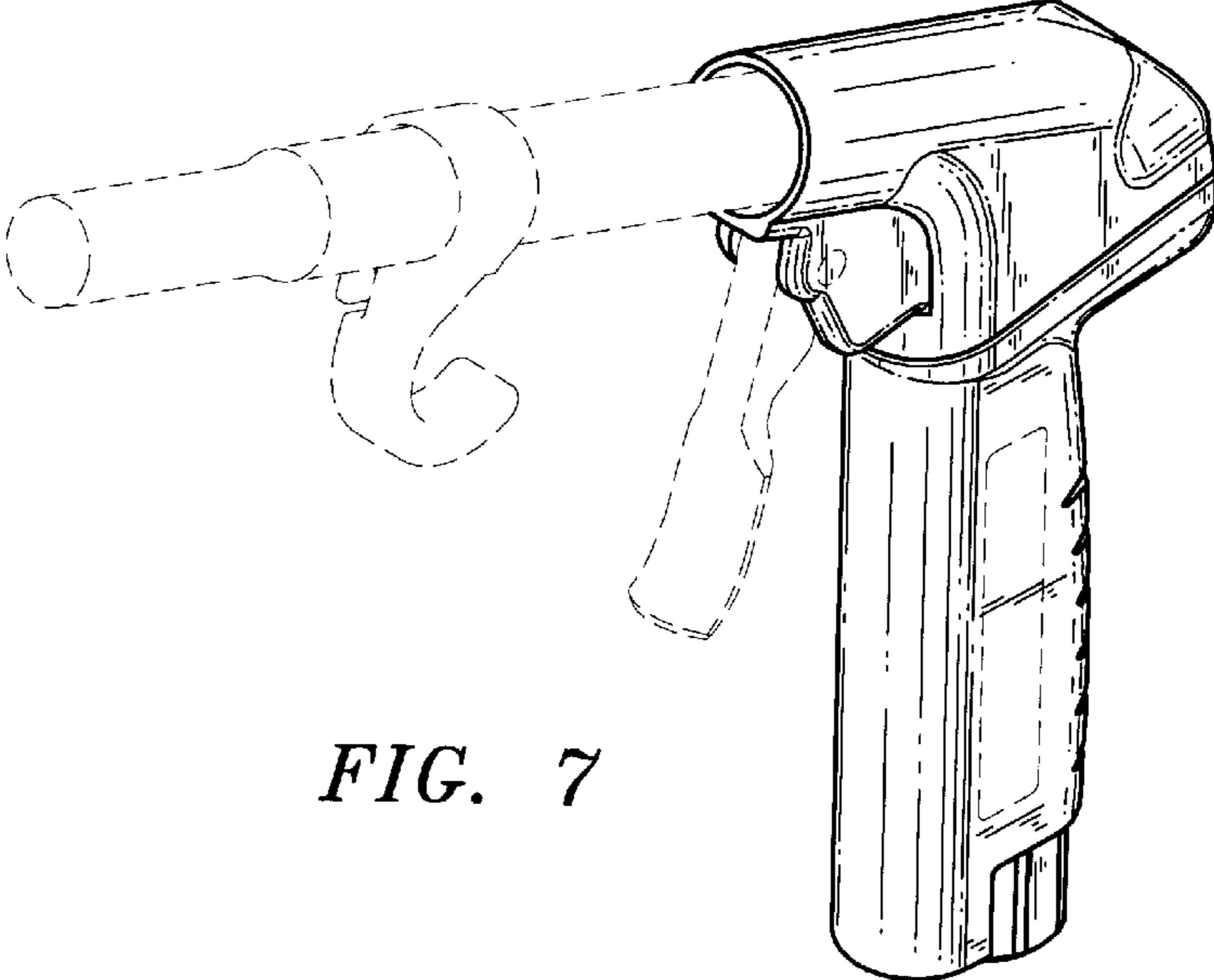


FIG. 7

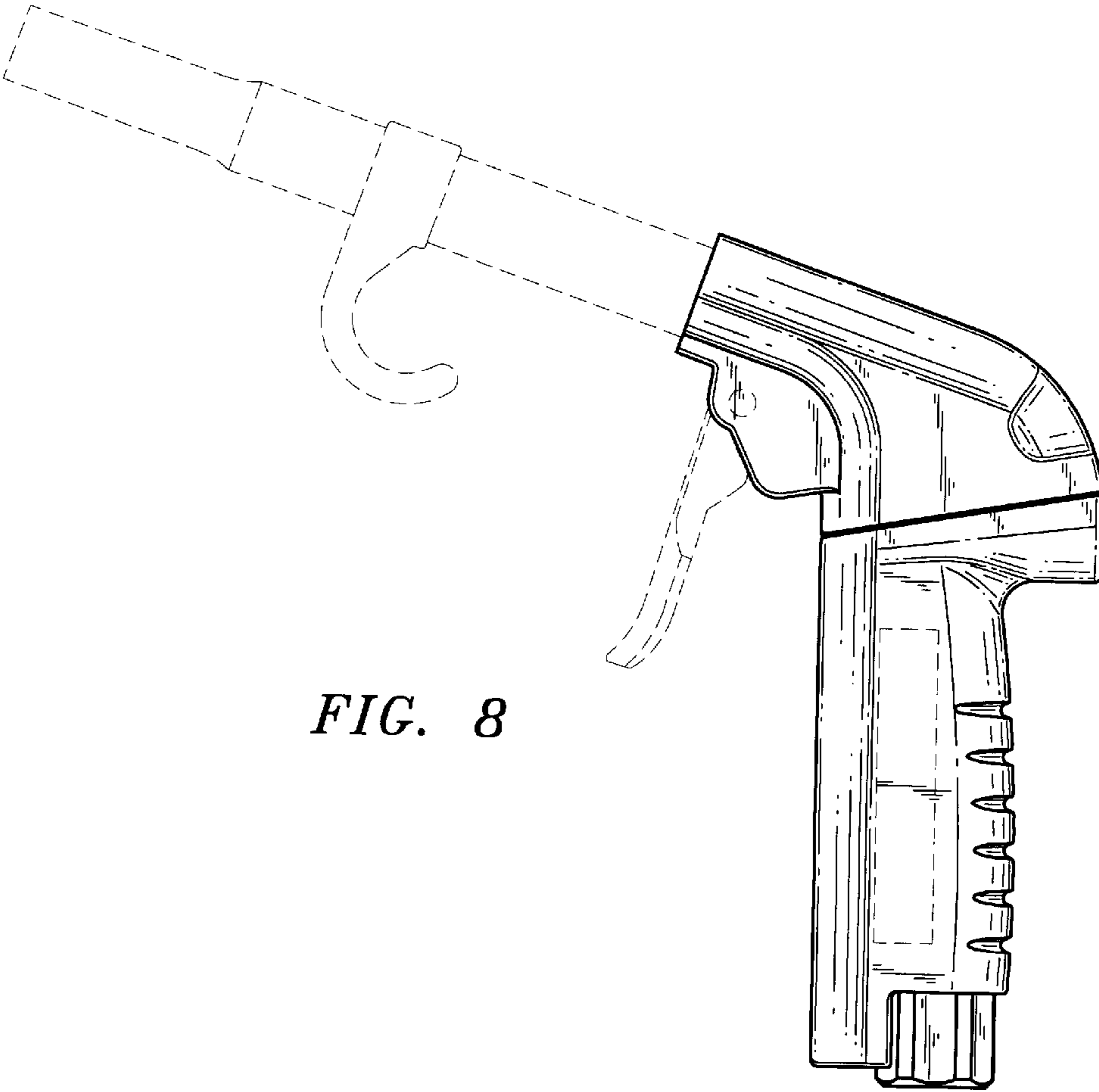


FIG. 8

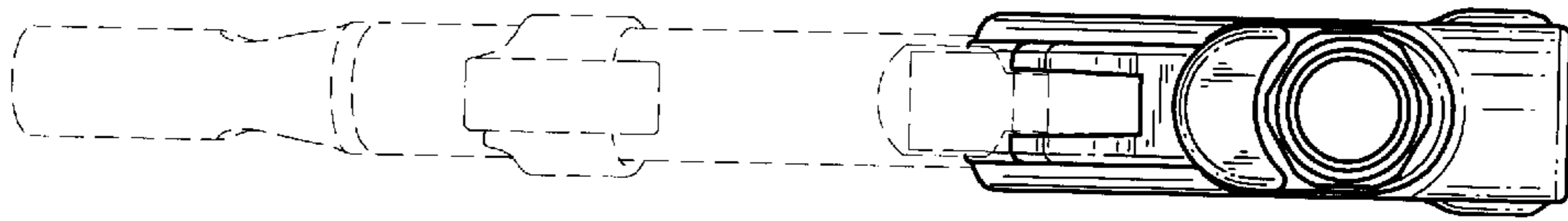


FIG. 10

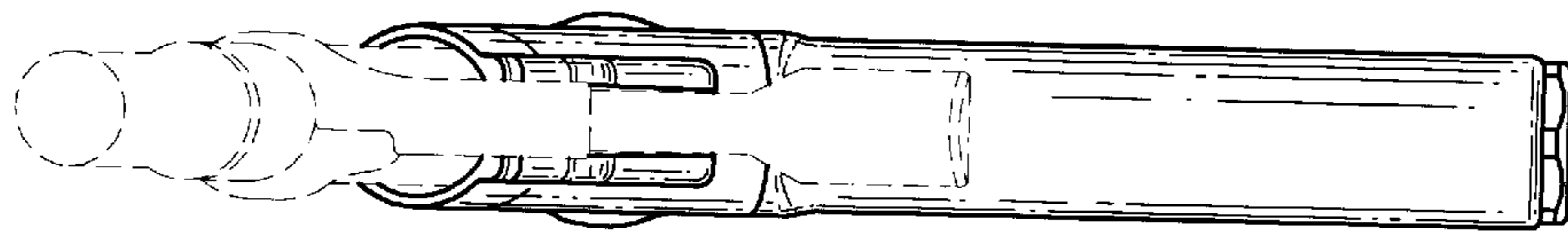


FIG. 9