



US00D512120S

(12) **United States Design Patent**
Haug et al.

(10) **Patent No.: US D512,120 S**

(45) **Date of Patent: ** Nov. 29, 2005**

(54) **WALL-MOUNTED SHOWER HEAD**

(75) Inventors: **Andreas Haug**, Stuttgart (DE); **Tom Schonherr**, Stuttgart (DE); **Andreas Dimitriadis**, Lorch (DE); **Fabian Kollmann**, Stuttgart (DE)

(73) Assignee: **Hansgrohe AG** (DE)

(**) Term: **14 Years**

(21) Appl. No.: **29/211,009**

(22) Filed: **Aug. 10, 2004**

(30) **Foreign Application Priority Data**

Feb. 11, 2004 (EP) 000131701-0002

(51) **LOC (8) Cl. 23-01**

(52) **U.S. Cl. D23/213**

(58) **Field of Search D23/213, 223, D23/229, 230; 239/282, 283, 394, 587.1**

(56) **References Cited**

U.S. PATENT DOCUMENTS

246,849 A * 9/1881 Williams 4/603
D297,160 S * 8/1988 Robbins D23/213
D468,800 S * 1/2003 Tse D23/213

D471,953 S * 3/2003 Colligan et al. D23/213
D475,433 S * 6/2003 Citterio D23/213
D495,778 S * 9/2004 Jorgensen et al. D23/213
D501,243 S * 1/2005 Blomstrom D23/229

* cited by examiner

Primary Examiner—Robin V. Taylor

(74) *Attorney, Agent, or Firm*—Kwadjo Adusei-Poku; Lloyd D. Doigan

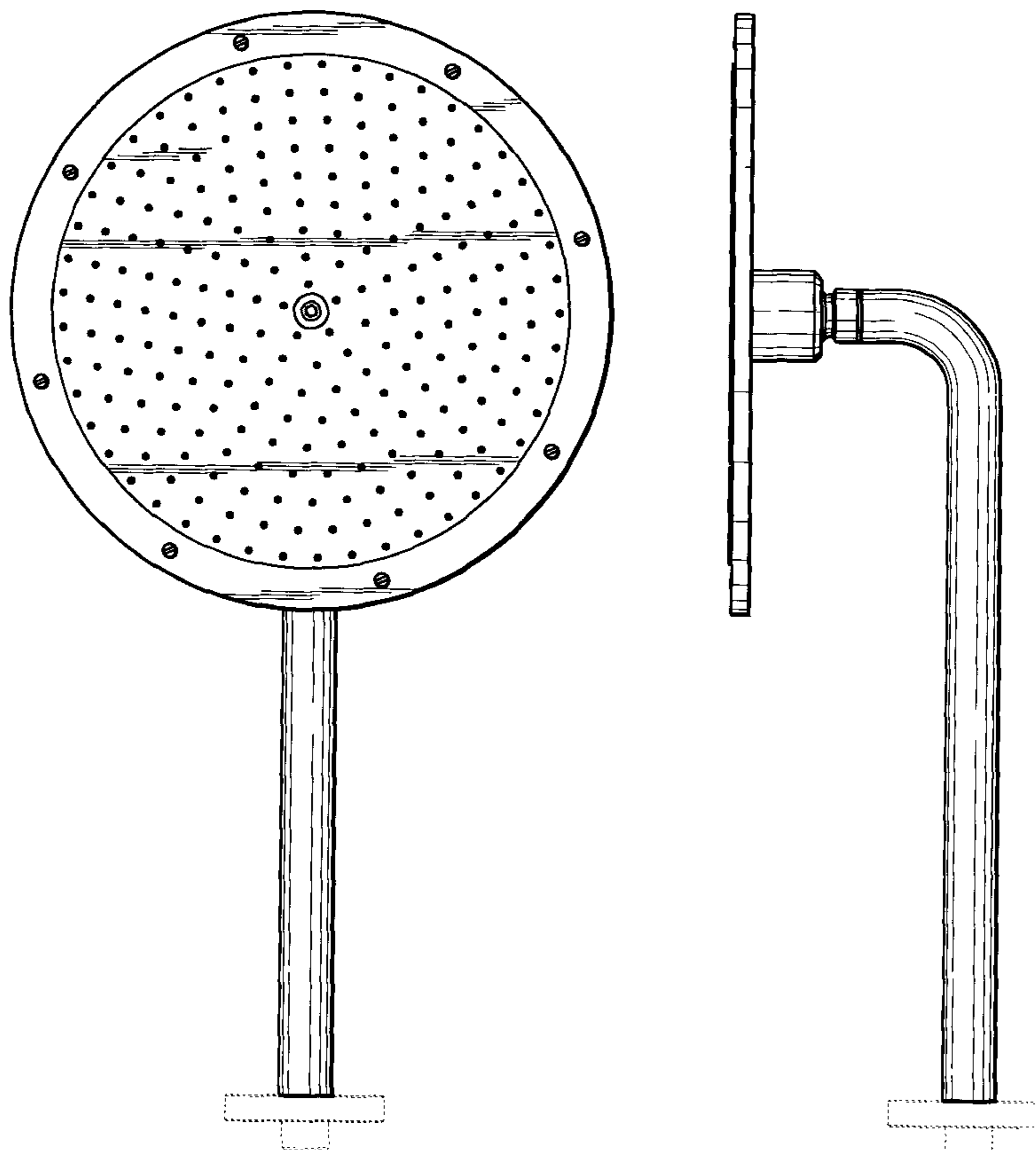
(57) **CLAIM**

The ornamental design for a wall-mounted shower head, as shown and described.

DESCRIPTION

FIG. 1 is a rear perspective view of a wall-mounted shower head showing our new design;
FIG. 2 is a bottom plan view thereof;
FIG. 3 is a rear elevational view thereof;
FIG. 4 is a left side elevational view thereof; the right side being a mirror image thereof;
FIG. 5 is a front elevational view thereof; and,
FIG. 6 is a top plan view thereof.
The broken line showing is for illustrative purposes only and forms no part of the claimed design.

1 Claim, 3 Drawing Sheets



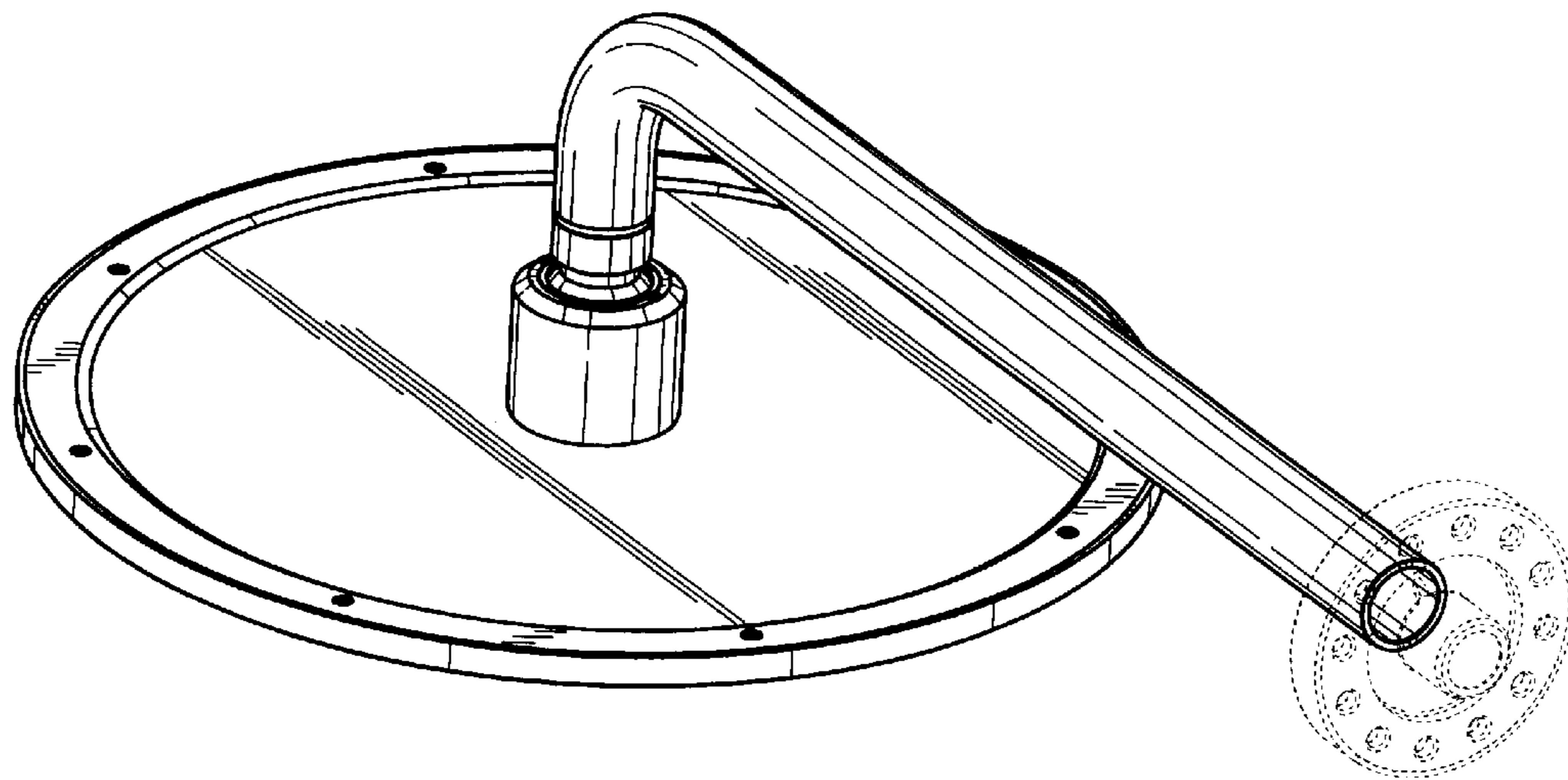


FIG. 1

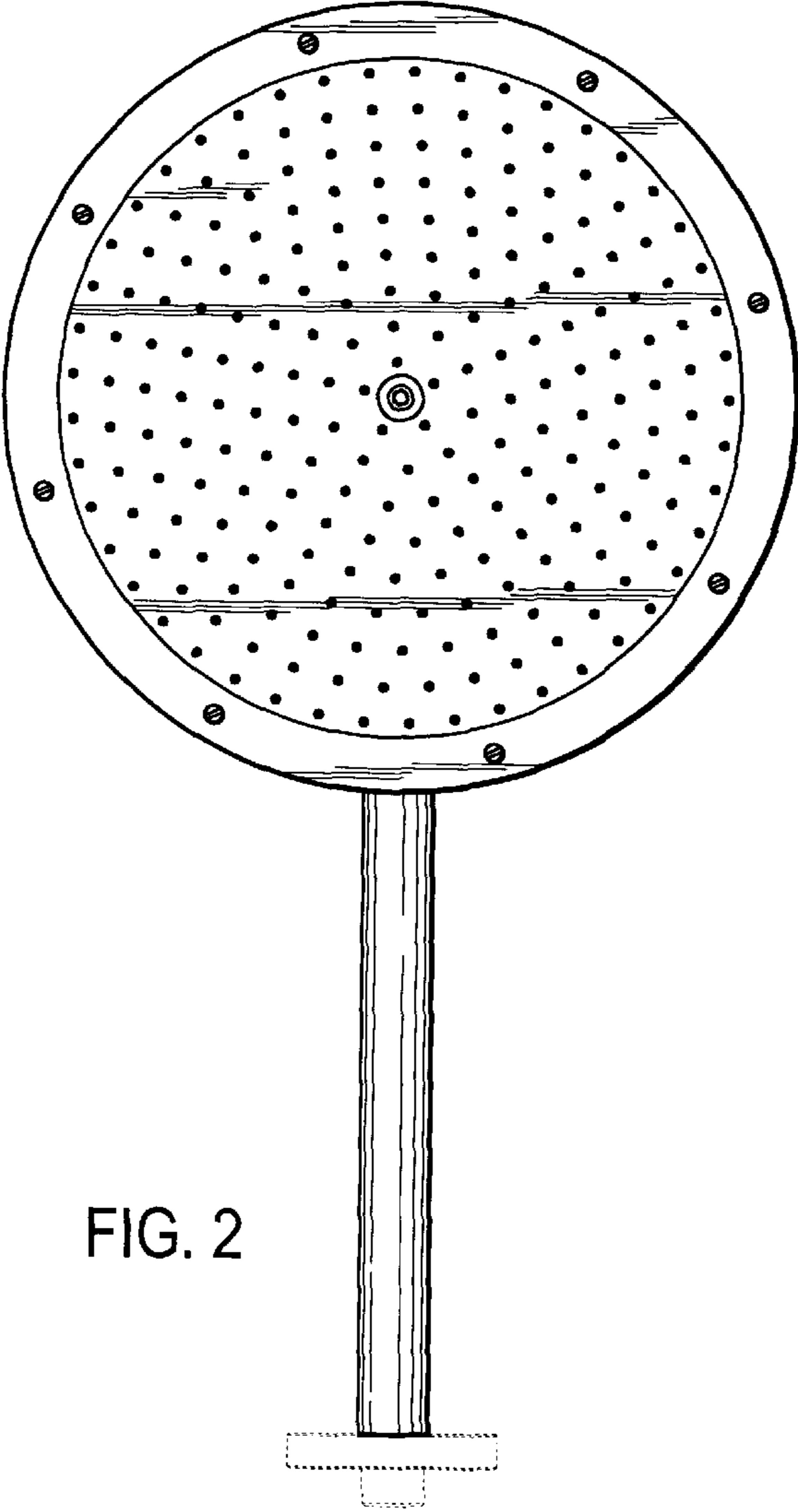


FIG. 2

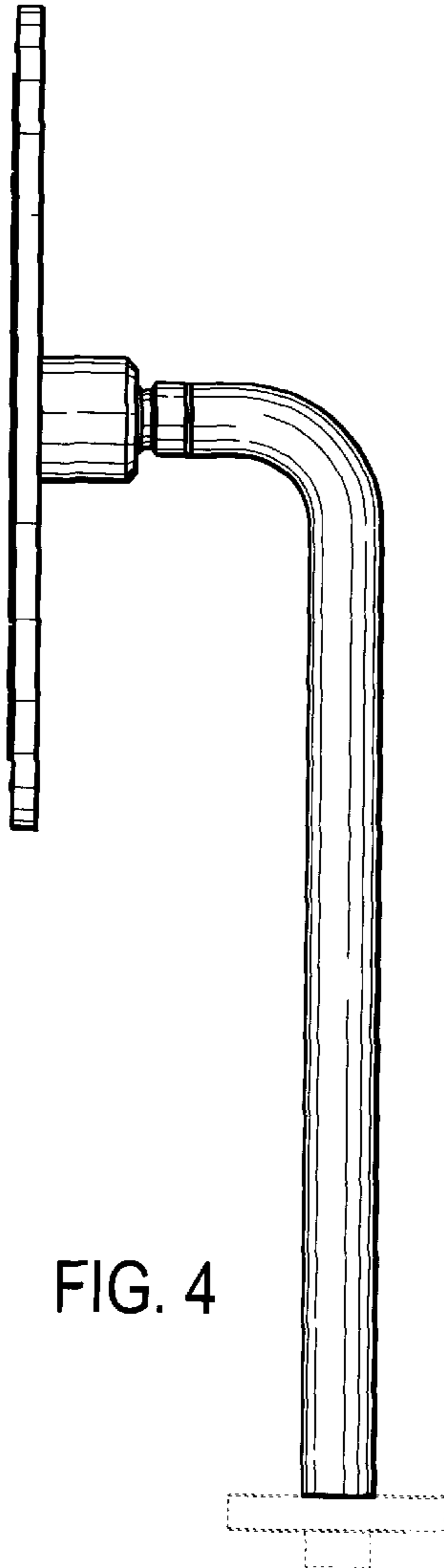


FIG. 4

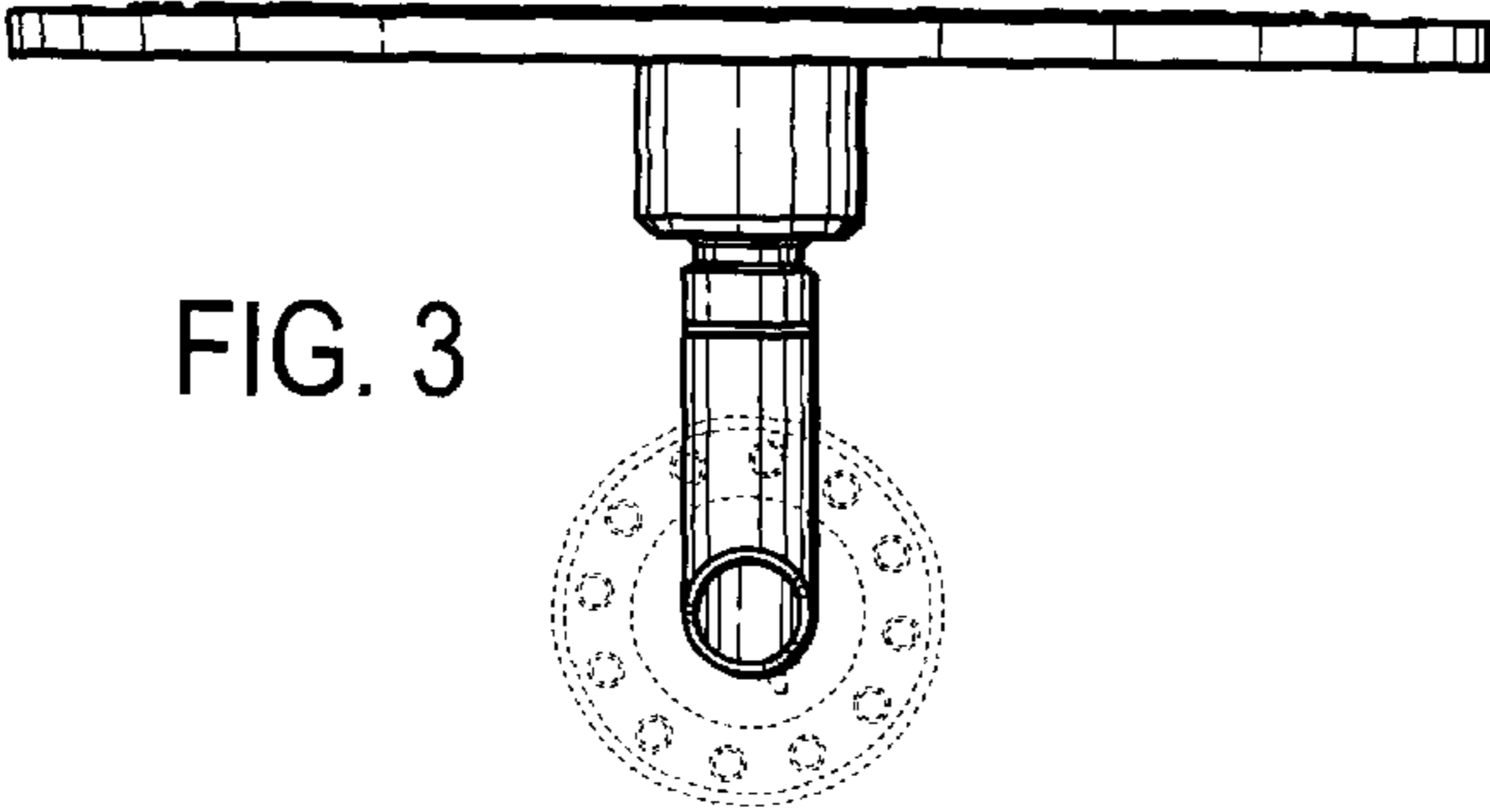


FIG. 3

