



US00D512119S

(12) **United States Design Patent**
Haug et al.

(10) **Patent No.:** **US D512,119 S**
(45) **Date of Patent:** **** Nov. 29, 2005**

(54) **SHOWER HEAD**

(75) Inventors: **Andreas Haug**, Stuttgart (DE); **Tom Schonherr**, Stuttgart (DE); **Andreas Dimitriadis**, Lorch (DE); **Fabian Kollmann**, Stuttgart (DE)

(73) Assignee: **Hansgrohe AG** (DE)

(**) Term: **14 Years**

(21) Appl. No.: **29/211,004**

(22) Filed: **Aug. 10, 2004**

(51) **LOC (8) Cl.** **23-01**

(52) **U.S. Cl.** **D23/213**

(58) **Field of Search** D23/213, 223,
D23/229, 230; 239/282, 283, 394, 587.1

(56) **References Cited**

U.S. PATENT DOCUMENTS

- 246,849 A * 9/1881 Williams 4/603
- D297,160 S * 8/1988 Robbins D23/213
- D468,800 S * 1/2003 Tse D23/213
- D471,953 S * 3/2003 Colligan et al. D23/213

- D475,433 S * 6/2003 Citterio D23/213
- D495,778 S * 9/2004 Jorgensen et al. D23/213
- D501,243 S * 1/2005 Blomstrom D23/229

* cited by examiner

Primary Examiner—Robin V. Taylor

(74) *Attorney, Agent, or Firm*—Kwadjo Adusei-Poku; Lloyd D. Doigan

(57) **CLAIM**

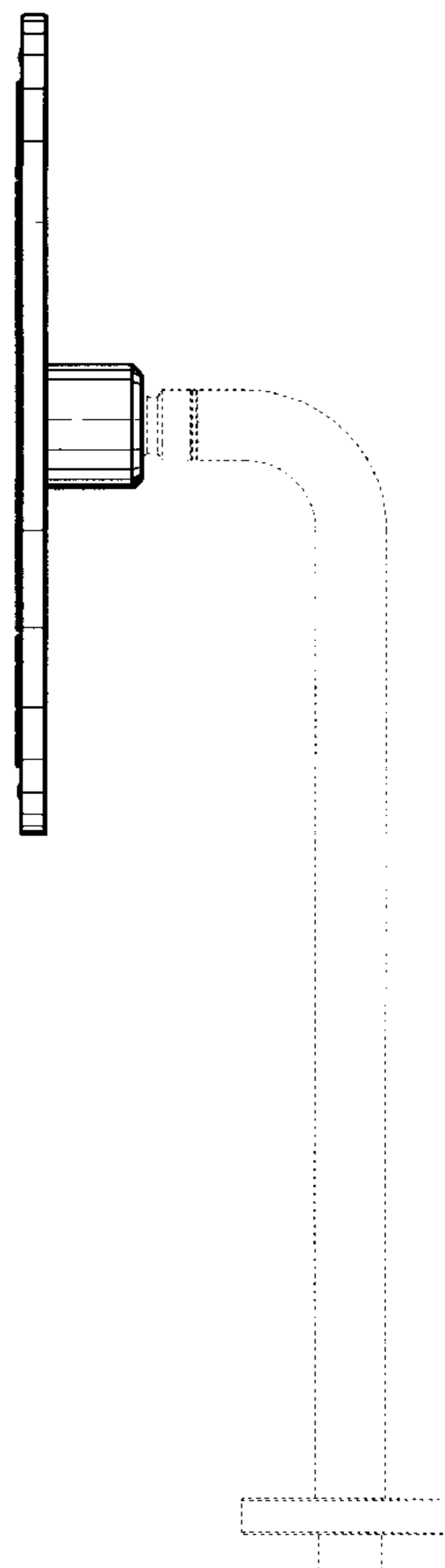
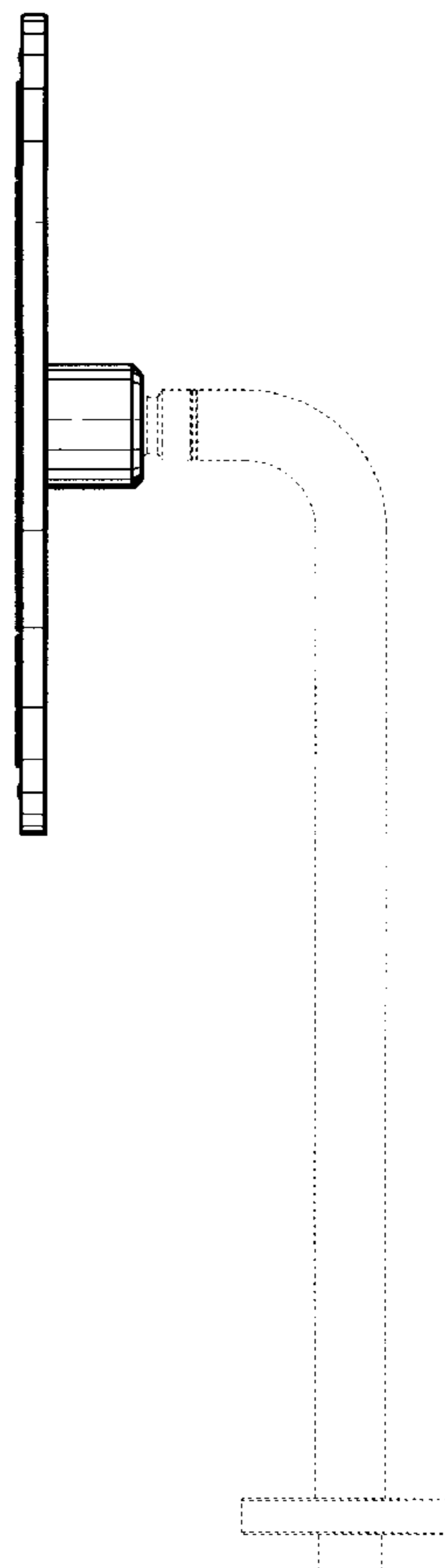
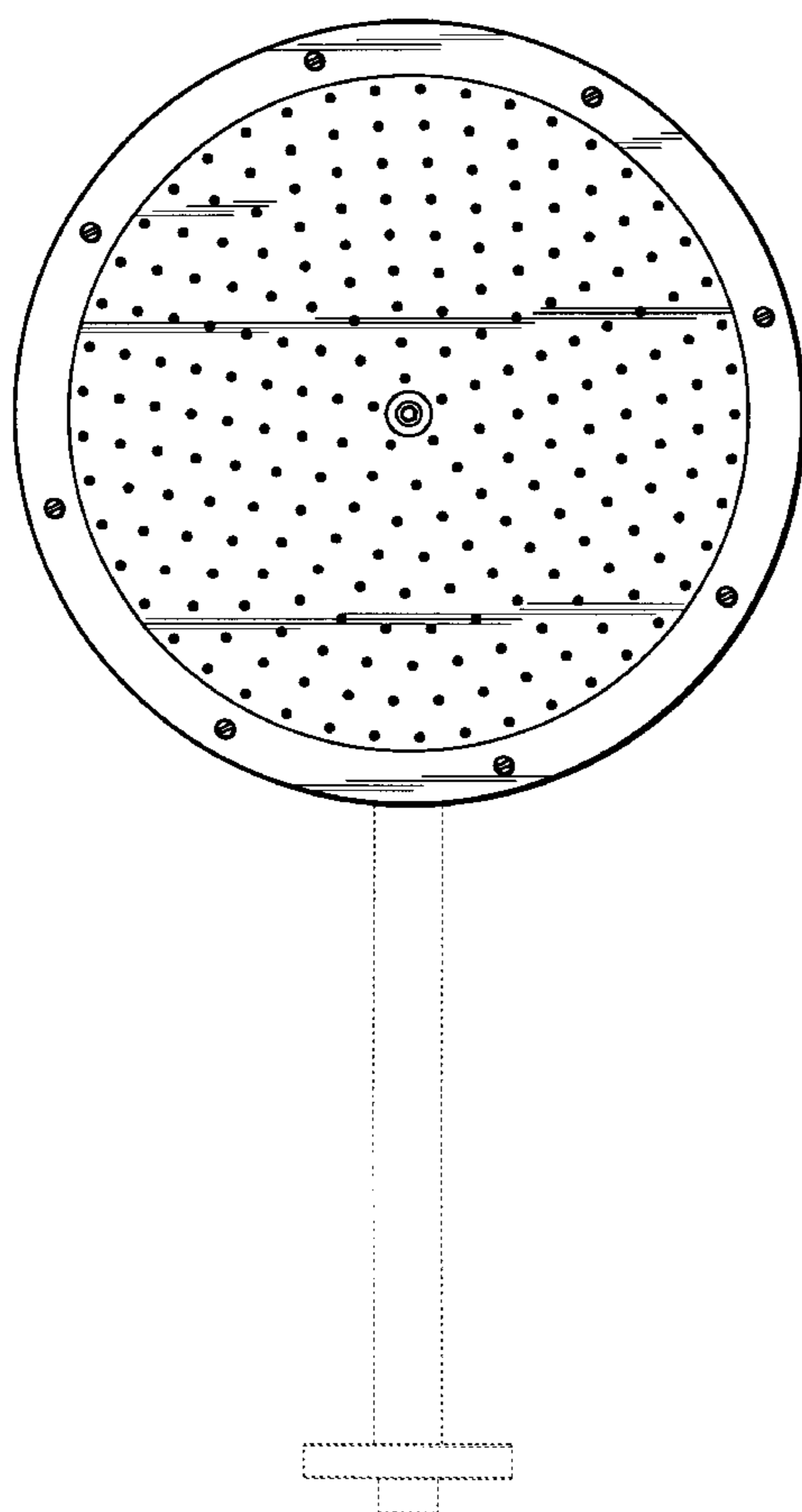
The ornamental design for a shower head, as shown and described.

DESCRIPTION

FIG. 1 is a rear perspective view of a shower head showing our new design;
 FIG. 2 is a bottom plan view thereof;
 FIG. 3 is a rear elevational view thereof;
 FIG. 4 is a left side elevational view thereof, the right side being a mirror image thereof;
 FIG. 5 is a front elevational view thereof; and,
 FIG. 6 is a top plan view thereof.

The broken line showing is for illustrative purposes only and forms no part of the claimed design.

1 Claim, 3 Drawing Sheets



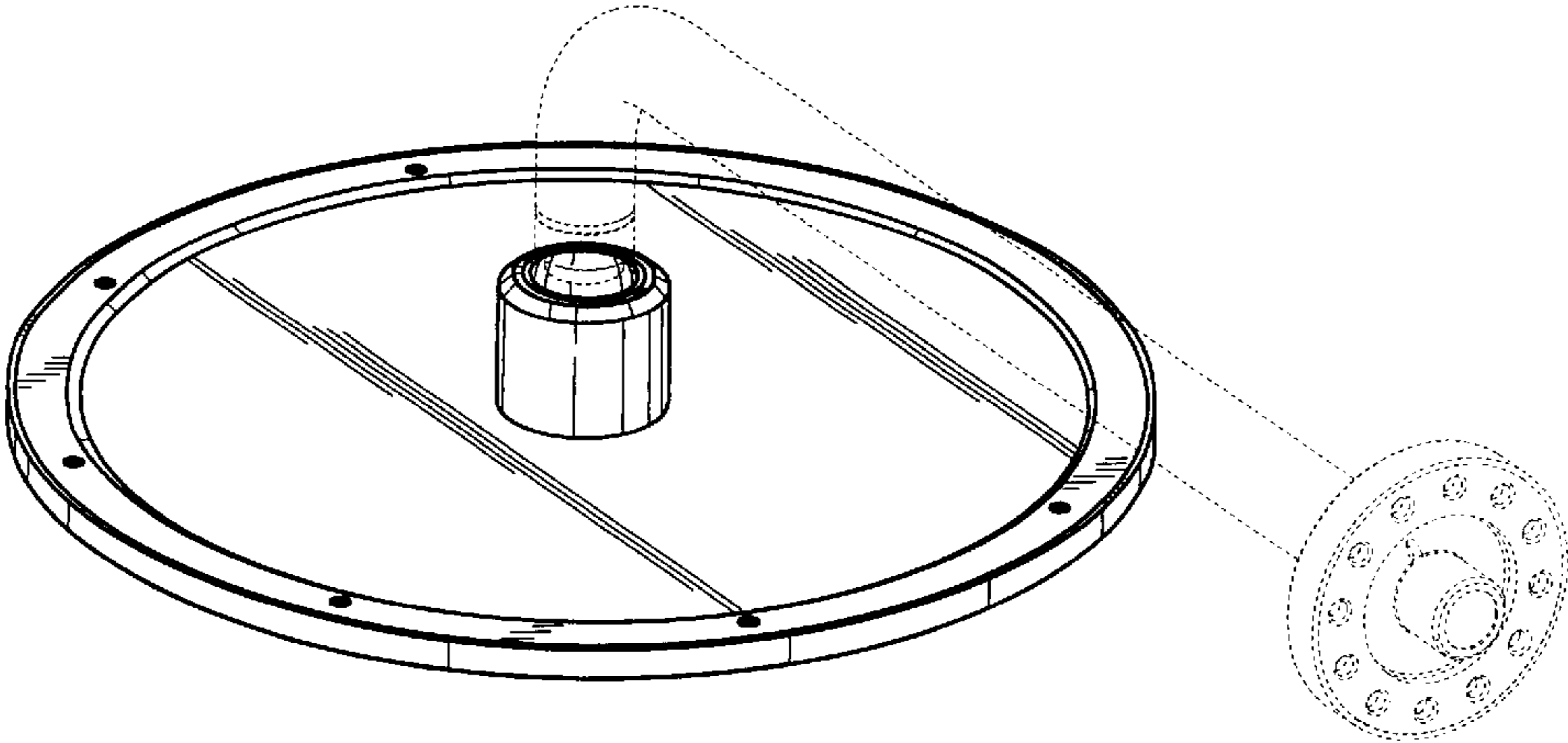


FIG. 1

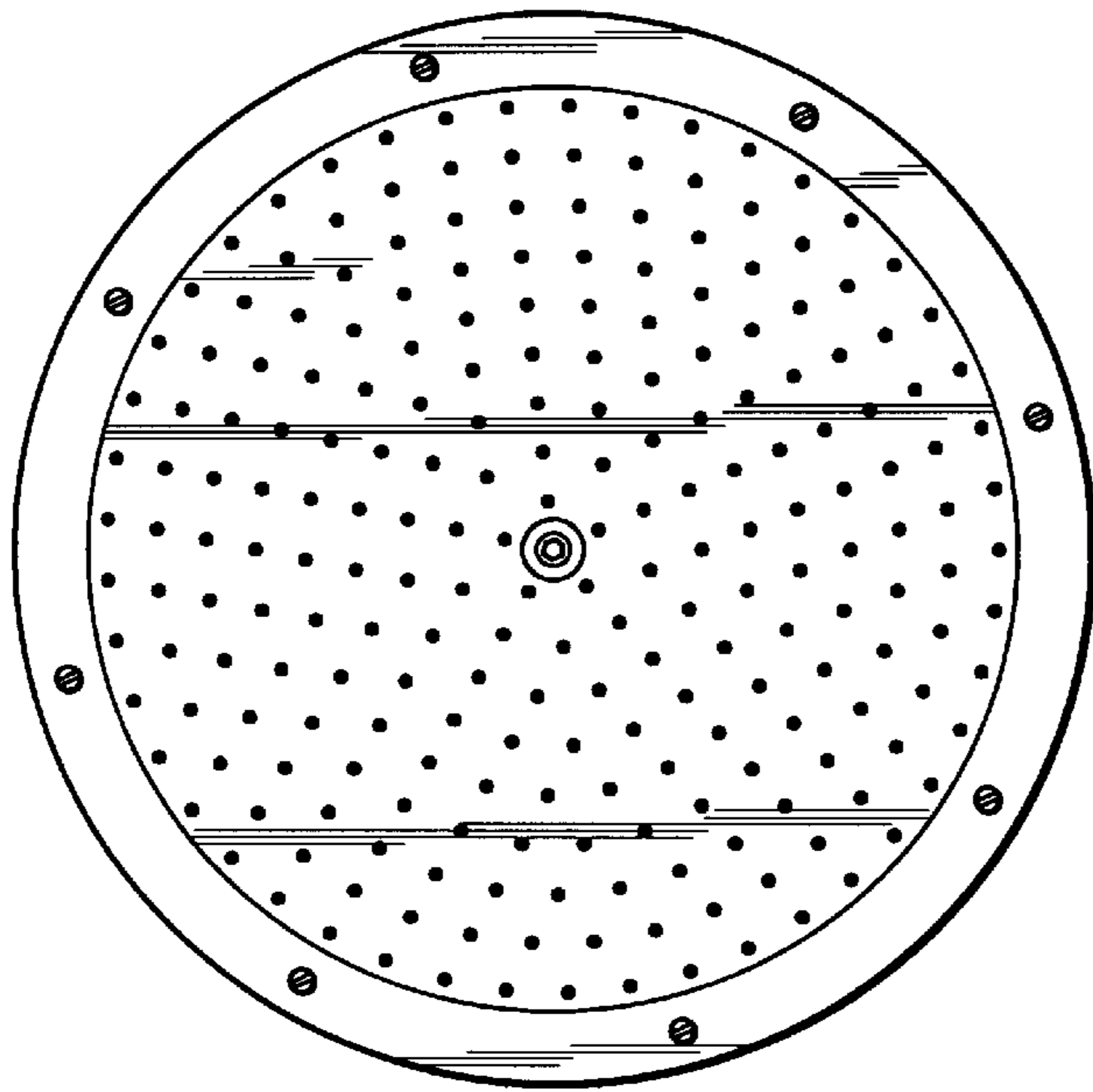


FIG. 2

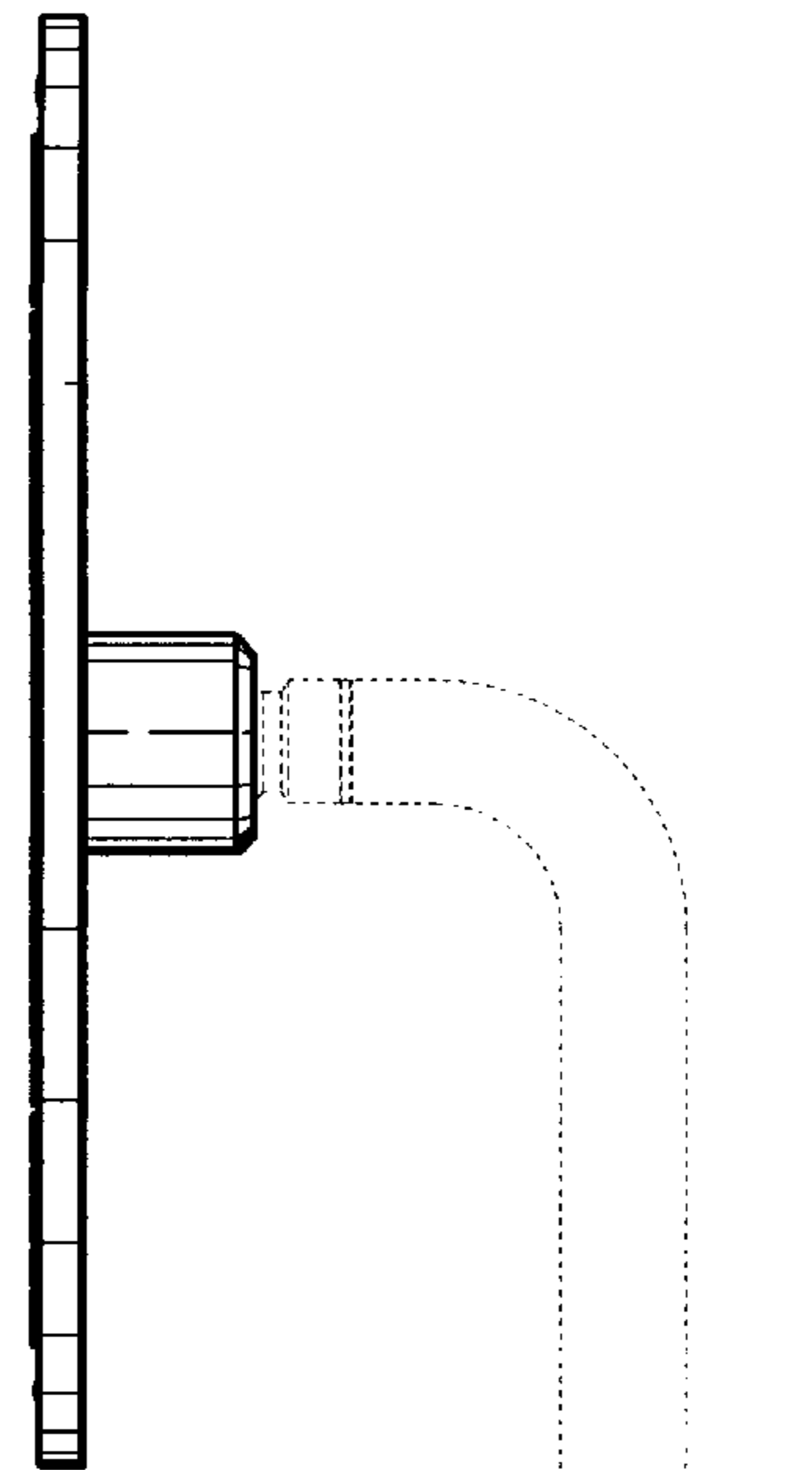
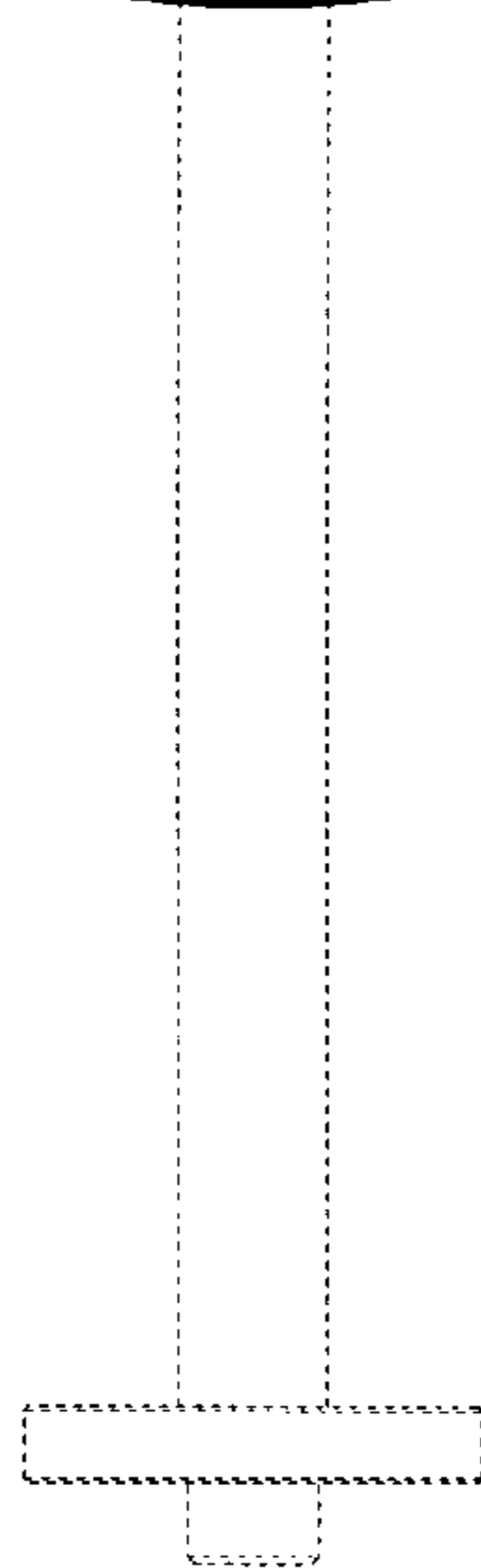


FIG. 4

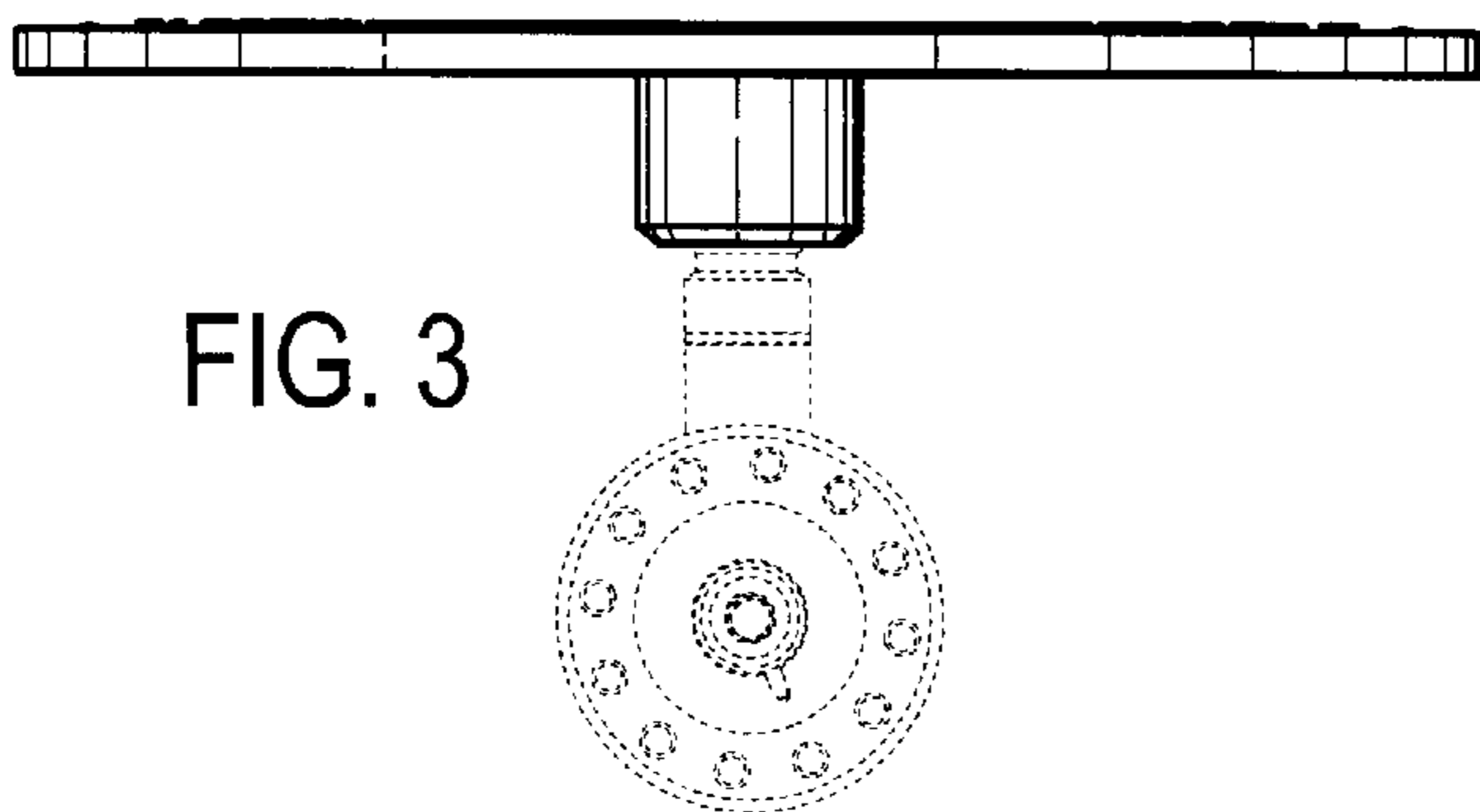
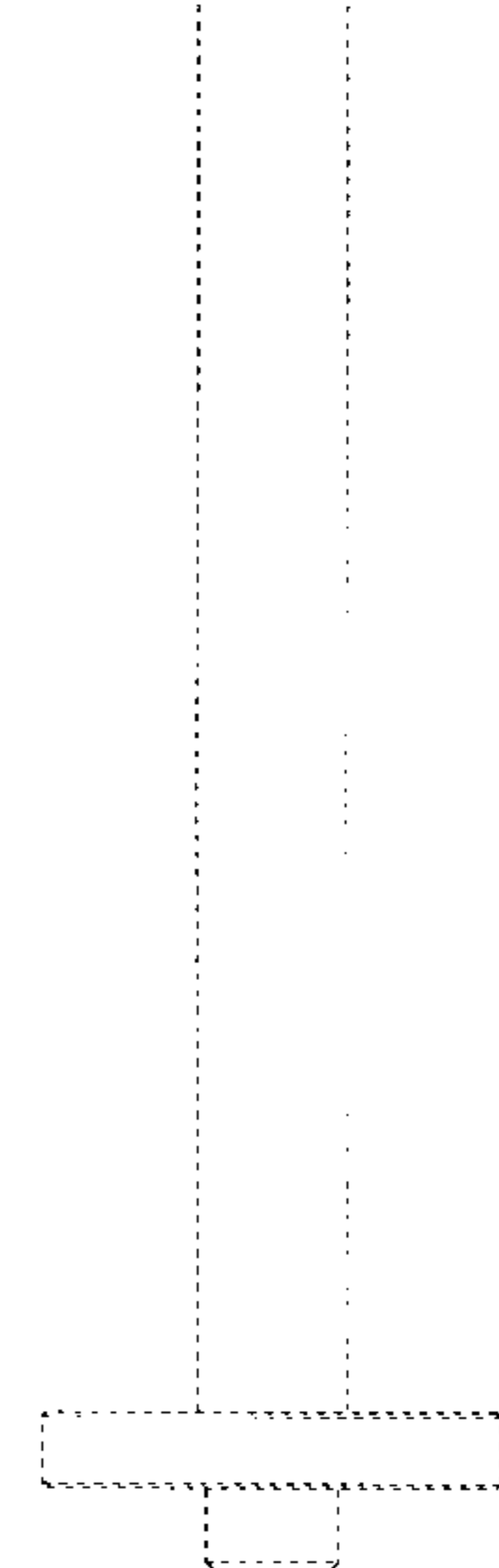


FIG. 3

