



US00D512118S

(12) **United States Design Patent**
Warren

(10) **Patent No.: US D512,118 S**

(45) **Date of Patent: ** Nov. 29, 2005**

(54) **GUN SIGHT**

(75) **Inventor: Scott M. Warren, 15702 Beacon Ct.,
Montclair, VA (US) 22026**

(73) **Assignee: Scott M. Warren, Montclair, VA (US)**

(**) **Term: 14 Years**

(21) **Appl. No.: 29/208,580**

(22) **Filed: Jun. 30, 2004**

(51) **LOC (8) Cl. 22-01**

(52) **U.S. Cl. D22/109; D22/110**

(58) **Field of Search D22/100, 108-110,
D22/199; 42/111-113, 124, 134-145; 89/161,
41.19, 200-204; 33/227**

(56) **References Cited**

U.S. PATENT DOCUMENTS

1,363,553 A	12/1920	Barringer	
D273,217 S	3/1984	Swenson	
D296,227 S	6/1988	Novak	
D301,512 S	6/1989	Novak	
D305,146 S	12/1989	Novak	
D305,561 S	1/1990	Novak	
D315,776 S	3/1991	Novak	
D351,449 S	10/1994	Dagley	
D352,087 S	* 11/1994	Stevens et al.	D22/109
5,822,872 A	10/1998	Waki	
D403,734 S	1/1999	Kay	
D407,788 S	* 4/1999	Kay	D22/109
6,035,539 A	3/2000	Hollenbach et al.	
D432,618 S	10/2000	Wilson	

D435,080 S	* 12/2000	Ling, Jr.	D22/109
D435,282 S	* 12/2000	Ling, Jr.	D22/109
D435,625 S	* 12/2000	Ling, Jr.	D22/109
D436,393 S	1/2001	Ling, Jr.	
6,216,351 B1	4/2001	Flubacher et al.	
D447,206 S	* 8/2001	Ling, Jr.	D22/109
D492,747 S	* 7/2004	LoRocco	D22/109

OTHER PUBLICATIONS

Wilson Combat 2001 Master Catalog, cover and selected pp. 71-73.

* cited by examiner

Primary Examiner—Louis S. Zarfes

Assistant Examiner—Melanie Levy

(74) *Attorney, Agent, or Firm*—Fay, Sharpe, Fagan,
Minnich & McKee, LLP

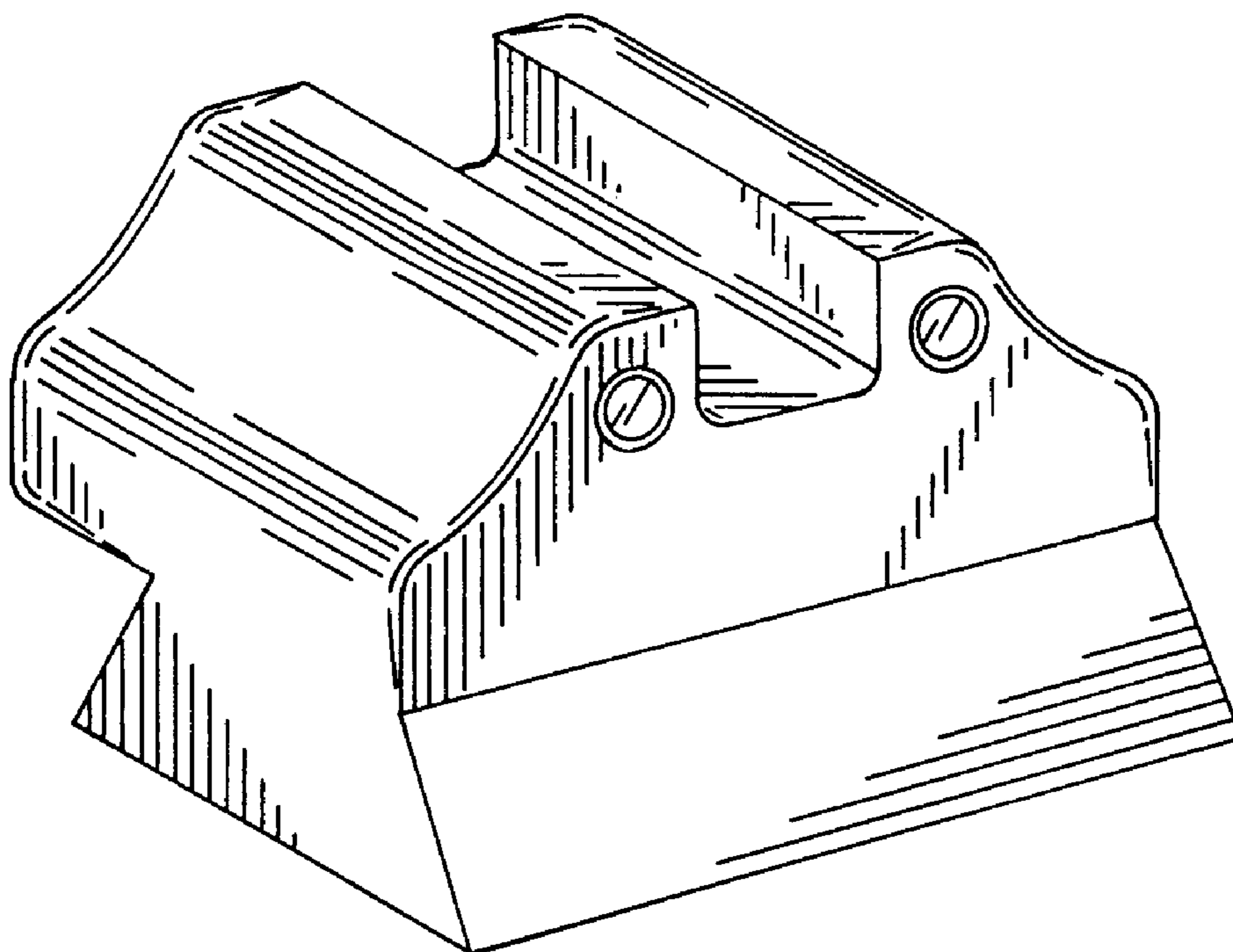
(57) **CLAIM**

The ornamental design for a gun sight, as shown and described.

DESCRIPTION

FIG. 1 is a rear perspective view of a gun sight showing my new design;
FIG. 2 is a top plan view thereof;
FIG. 3 is a rear elevational view thereof;
FIG. 4 is a right side elevational view thereof, the left side view being a mirror image; and,
FIG. 5 is a front elevational view thereof.
The broken lines are for illustrative purposes only and form no part of the claimed design.

1 Claim, 1 Drawing Sheet



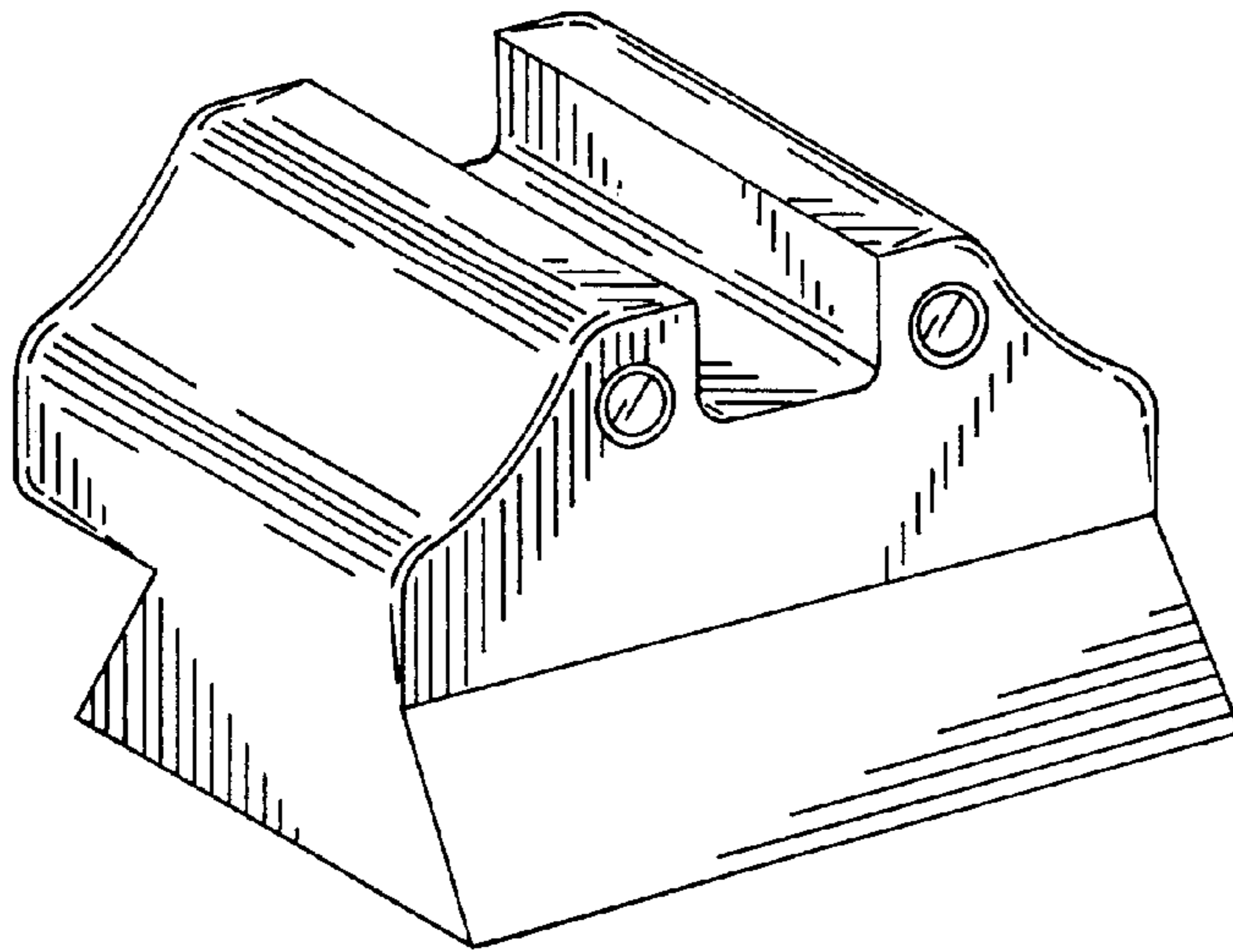


FIG. 1

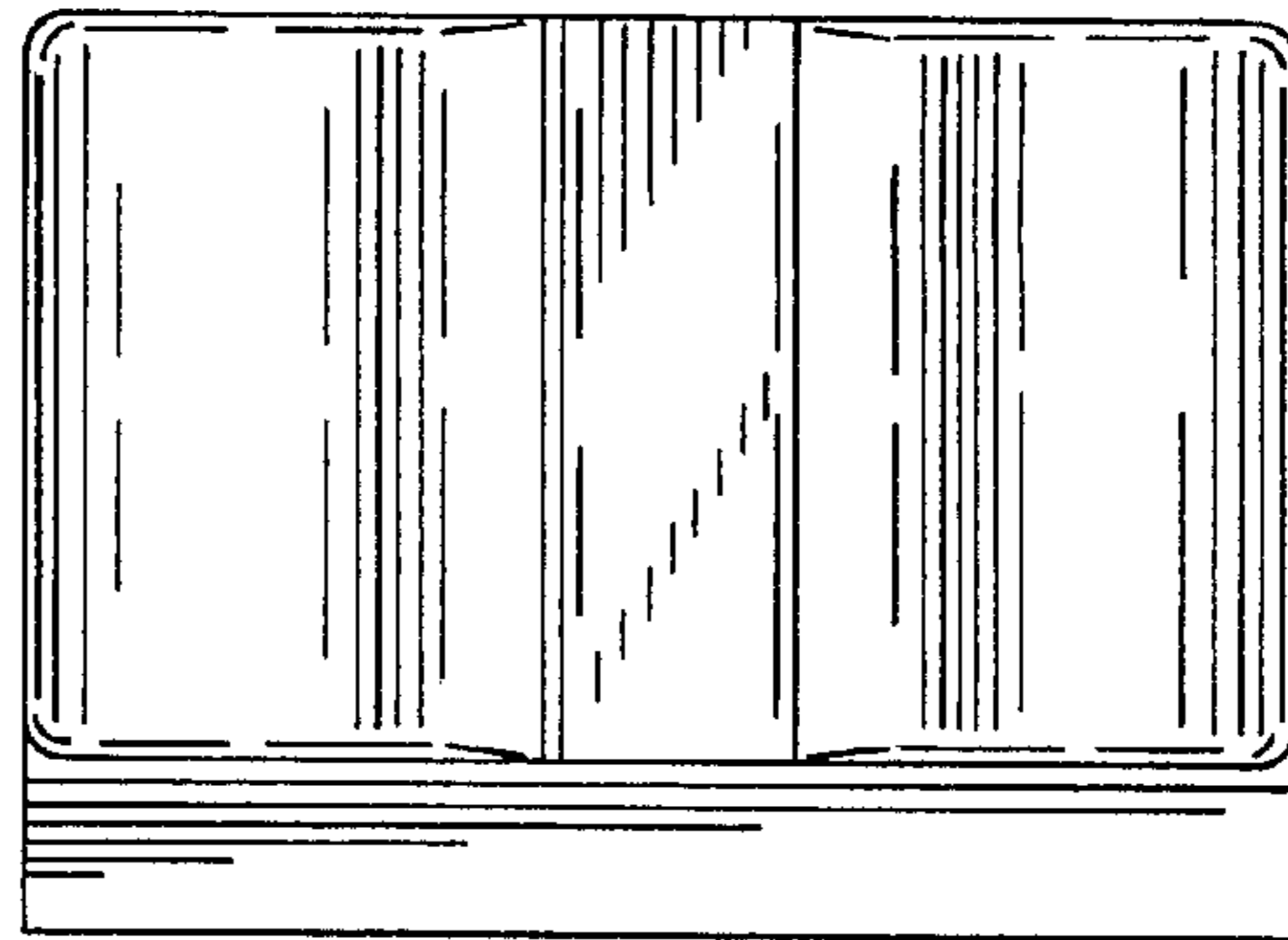


FIG. 2

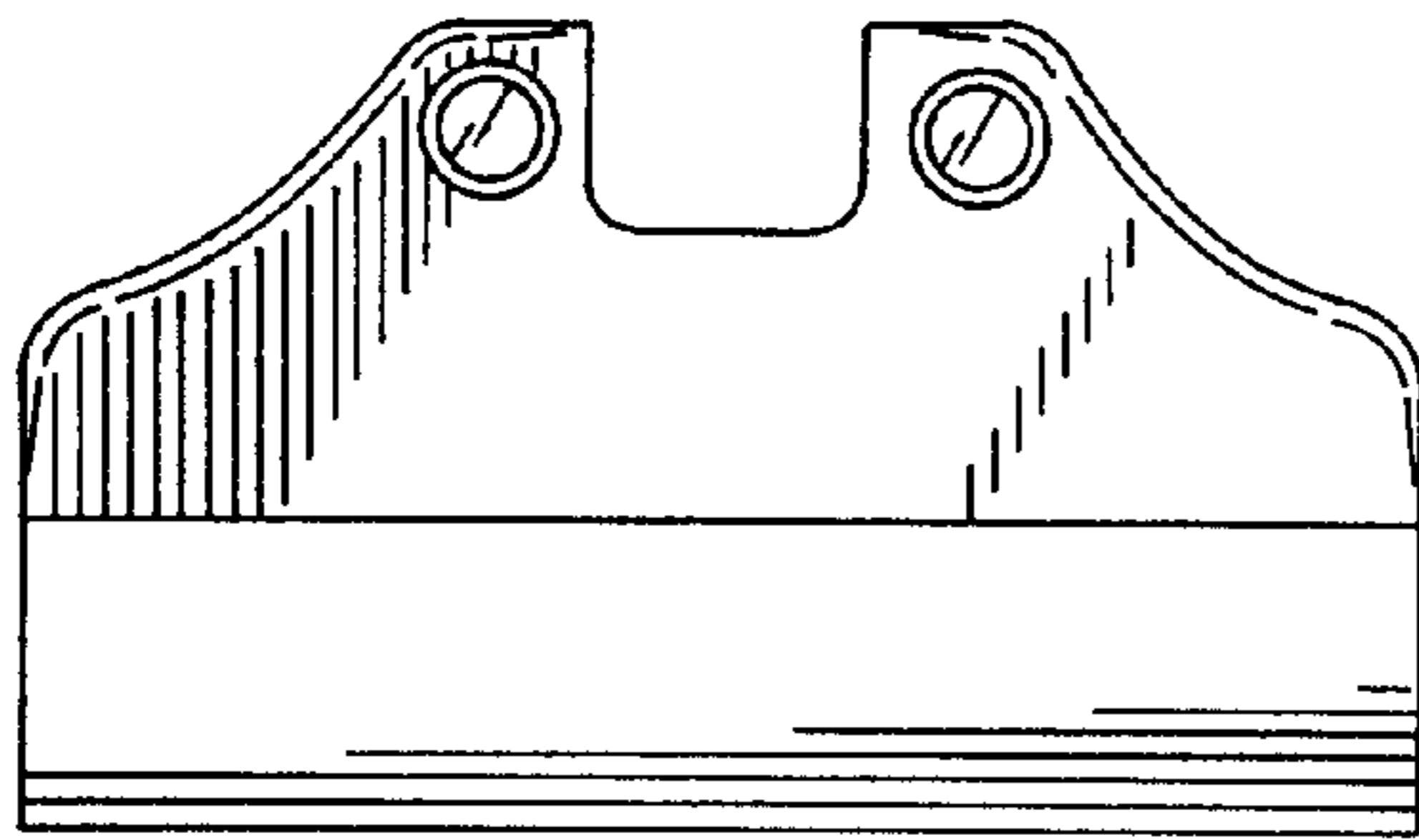


FIG. 3

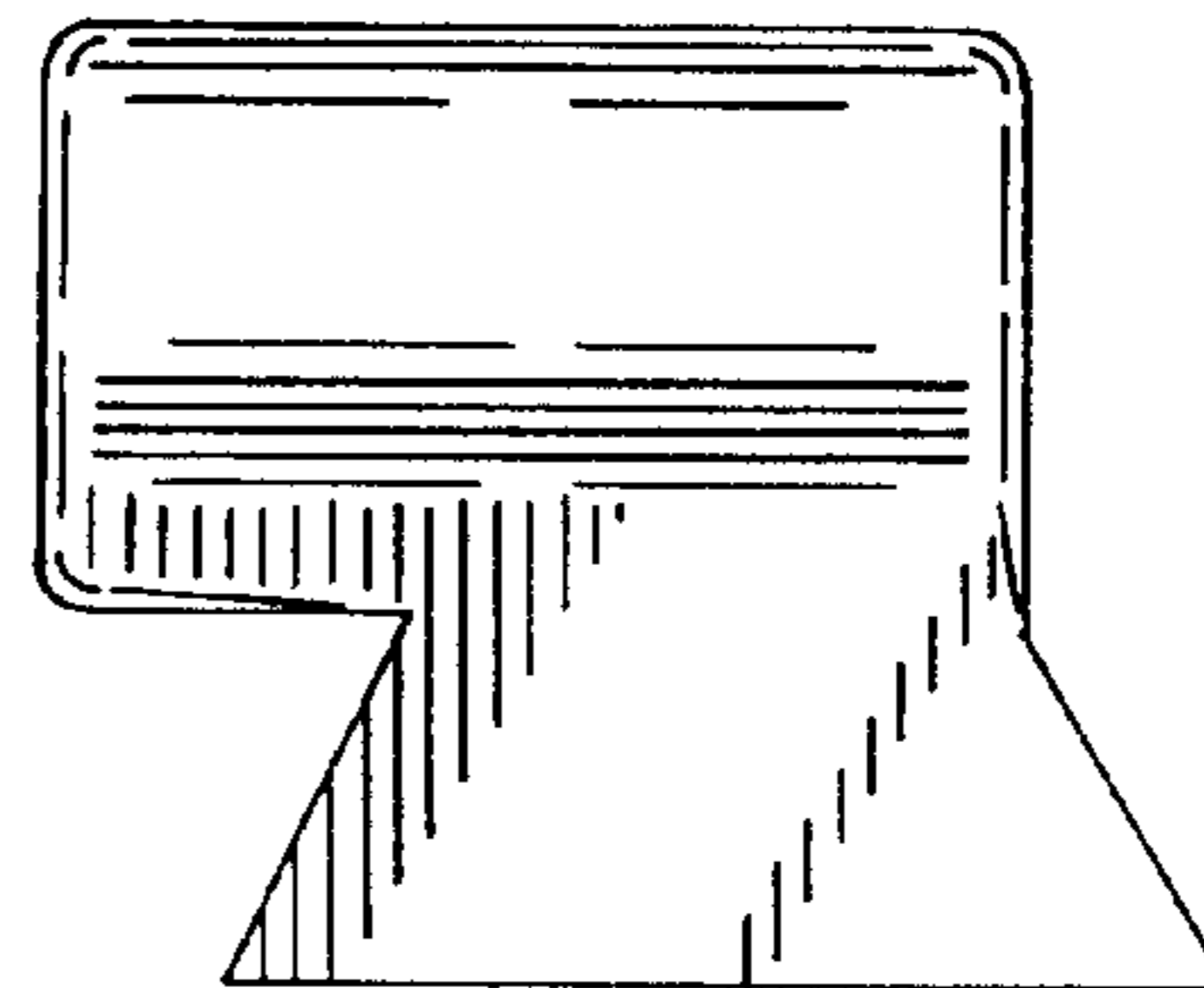


FIG. 4

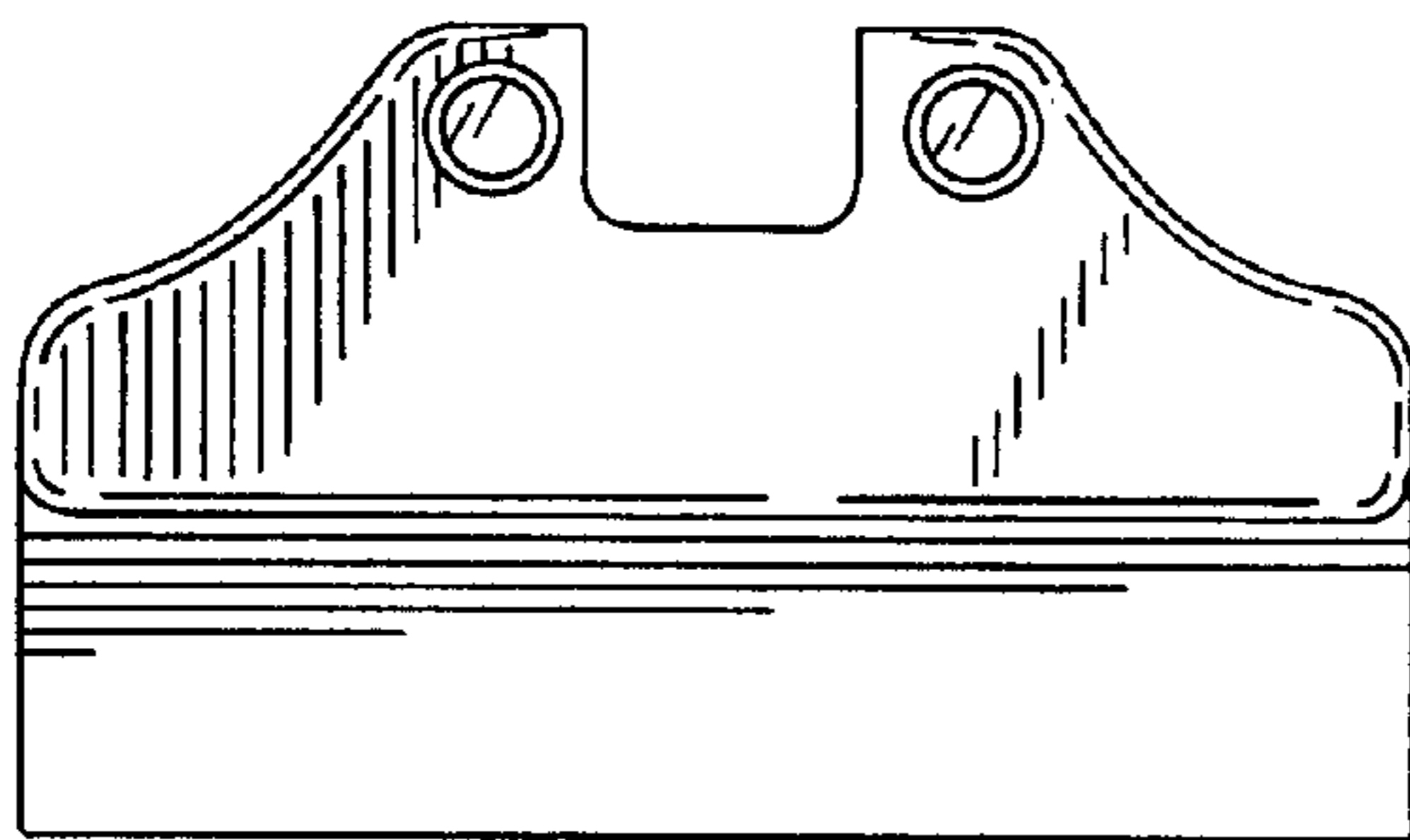


FIG. 5