



US00D512117S

(12) **United States Design Patent** (10) **Patent No.:** **US D512,117 S**
Murello et al. (45) **Date of Patent:** **** Nov. 29, 2005**

(54) **AUTOMATIC RIFLE**

(75) Inventors: **Johannes Murello**, Wohnsitz (DE);
Wilhelm Fischbach, Wohnsitz (DE);
Thomas Schweikart, Wohnsitz (DE);
Alexander Stumpp, Wohnsitz (DE)

(73) Assignee: **Heckler & Koch, GmbH**,
Oberndorf/Neckar (DE)

(**) Term: **14 Years**

(21) Appl. No.: **29/206,679**

(22) Filed: **Jun. 2, 2004**

(51) **LOC (8) Cl.** **22-01**

(52) **U.S. Cl.** **D22/103; D22/100**

(58) **Field of Search** **D22/100, 101,**
D22/103, 104, 108, 199; D21/572, 573;
42/51, 71.01, 75.01, 75.02, 90; 962/110;
33/241; 313/105 R; 89/40.06, 37.04; 124/67,
66, 74

(56) **References Cited**

U.S. PATENT DOCUMENTS

897,813 A * 9/1908 Bennett 124/67
2,141,837 A * 12/1938 Farnsworth 313/105 R
3,999,461 A * 12/1976 Johnson et al. 89/40.06

(Continued)

FOREIGN PATENT DOCUMENTS

WO WO 00/75596 A1 12/2000

OTHER PUBLICATIONS

U.S. Appl. No. 29/206,671, filed Jun. 2, 2004, Murello et al.,
Compact firearm, pending.*
U.S. Appl. No. 29/206,651, filed Jun. 2, 2004, Murello et al.,
Firearm with a grenade launcher, pending.*
U.S. Appl. No. 29/206,670, filed Jun. 2, 2004, Murello et al.,
Firearm, pending.*

Primary Examiner—Louis S. Zarfaz
Assistant Examiner—Melanie Levy

(74) *Attorney, Agent, or Firm*—Hanley, Flight &
Zimmerman, LLC

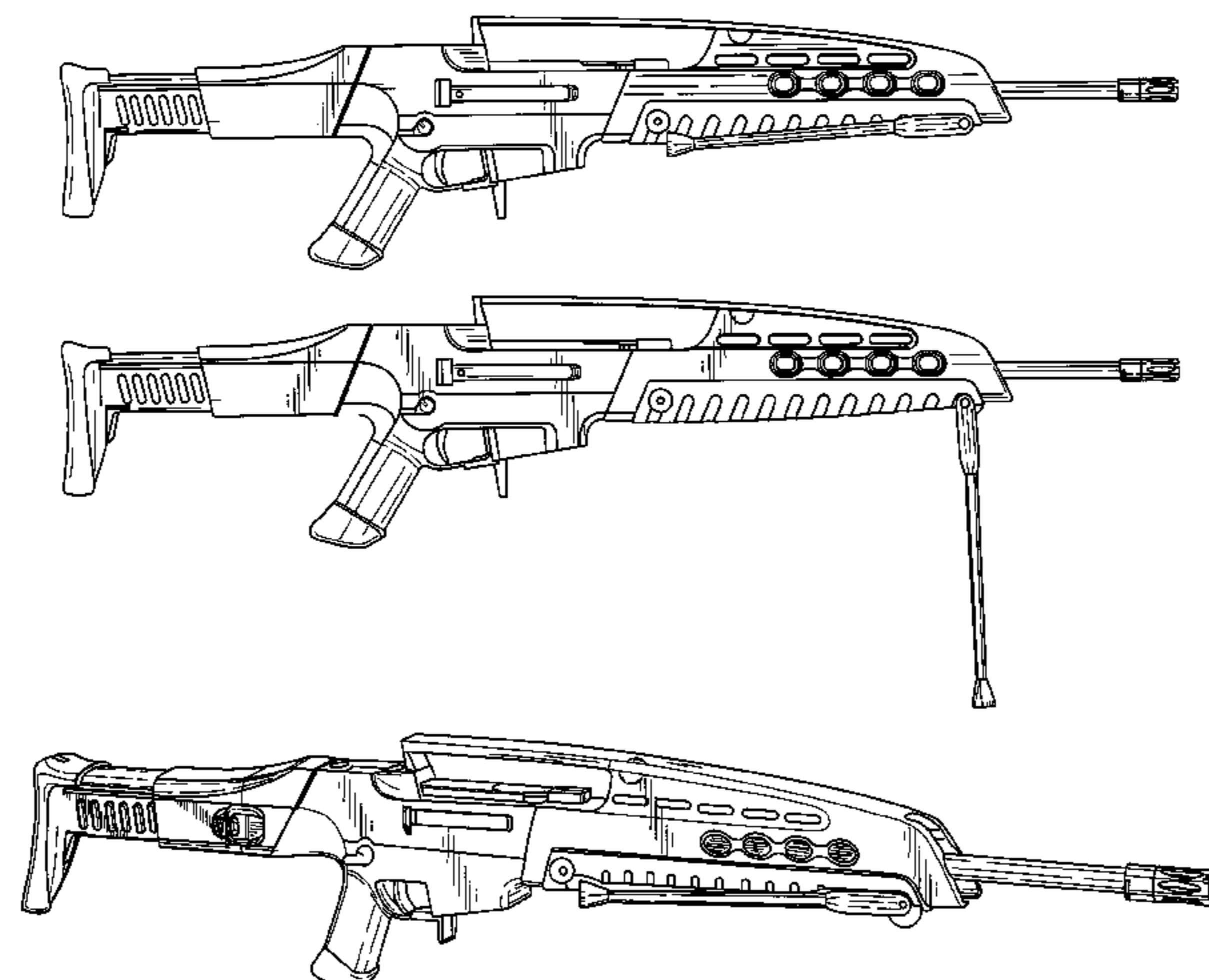
(57) **CLAIM**

The ornamental design for an automatic rifle, as shown and
described.

DESCRIPTION

FIG. 1 is a left side perspective view of an automatic rifle;
FIG. 2 is a left side view of the rifle of FIG. 1;
FIG. 3 is a right side view of the rifle of FIG. 1;
FIG. 4 is a top view of the rifle of FIG. 1;
FIG. 5 is a bottom view of the rifle of FIG. 1;
FIG. 6 is a front view of the rifle of FIG. 1;
FIG. 7 is a rear view of the rifle of FIG. 1;
FIG. 8 is a left side perspective view of the rifle of FIG. 1
shown with the stock in a retracted position;
FIG. 9 is a left side view of the rifle of FIG. 8;
FIG. 10 is a right side view of the rifle of FIG. 8;
FIG. 11 is a top view of the rifle of FIG. 8;
FIG. 12 is a left side perspective view of the rifle of FIG. 1
shown with the stock in an extended position and the bi-pod
deployed;
FIG. 13 is a left side view of the rifle of FIG. 12;
FIG. 14 is a right side view of the rifle of FIG. 12;
FIG. 15 is a top view of the rifle of FIG. 12;
FIG. 16 is a bottom view of the rifle of FIG. 12;
FIG. 17 is a front view of the rifle of FIG. 12;
FIG. 18 is a rear view of the rifle of FIG. 12;
FIG. 19 is a right side perspective view of of a second
embodiment of FIG. 1 shown with a hinged stock;
FIG. 20 is a right side perspective view of the rifle of FIG.
19 shown with the hinged stock in a pivoted position;
FIG. 21 is a left side view of the rifle of FIG. 19 shown with
the hinged stock in a pivoted position;
FIG. 22 is a right side view of the rifle of FIG. 20;
FIG. 23 is a top view of the rifle of FIG. 20;
FIG. 24 is a top view of the rifle of FIG. 20, but shown with
the hinged stock in a non-pivoted position;
FIG. 25 is a rear view of the rifle of FIG. 20;
FIG. 26 is a right side perspective view of the rifle of FIG.
19 shown with the bi-pod deployed; and,
FIG. 27 is a right side perspective view of the rifle of FIG.
26 shown with the hinged stock in a pivoted position.

1 Claim, 20 Drawing Sheets



US D512,117 S

Page 2

U.S. PATENT DOCUMENTS

4,311,082	A	*	1/1982	Johnson et al.	89/33.04	D369,639	S	5/1996	Predazzer	
4,351,224	A	*	9/1982	Curtis	89/37.04	D372,067	S	7/1996	Predazzer	
4,587,879	A	*	5/1986	Savioli	89/33.04	D385,008	S	* 10/1997	Lamont	D22/100
4,625,706	A	*	12/1986	Turner, Jr.	124/67	5,930,935	A	8/1999	Griffin	
4,676,137	A		6/1987	Stockton et al.		D429,308	S	* 8/2000	Guhring	D22/103
D295,058	S	*	4/1988	Turner, Jr.	D22/103	6,250,294	B1	* 6/2001	Lim	124/66
4,769,938	A		9/1988	Chesnut et al.		6,609,321	B2	* 8/2003	Faifer	42/71.01
5,198,600	A	*	3/1993	E>Nama	42/90	6,651,371	B2	* 11/2003	Fitzpatrick et al.	42/71.01
5,305,539	A	*	4/1994	Von Kuster	42/75.02	6,752,137	B2	* 6/2004	Brunette et al.	124/74
D359,529	S	*	6/1995	Nguyen	D22/103	2001/0042334	A1	11/2001	Weichert et al.	

* cited by examiner

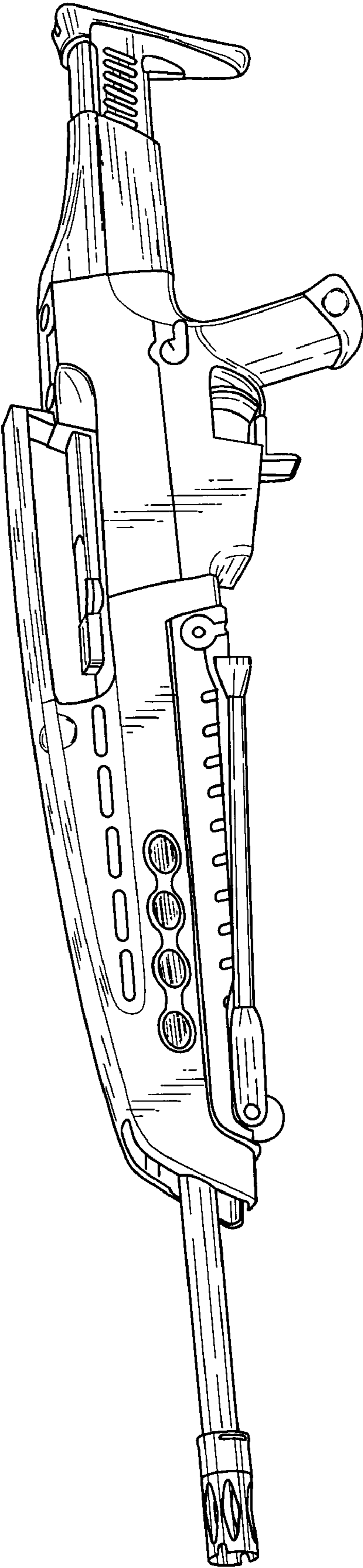


Fig. 1

Fig. 2

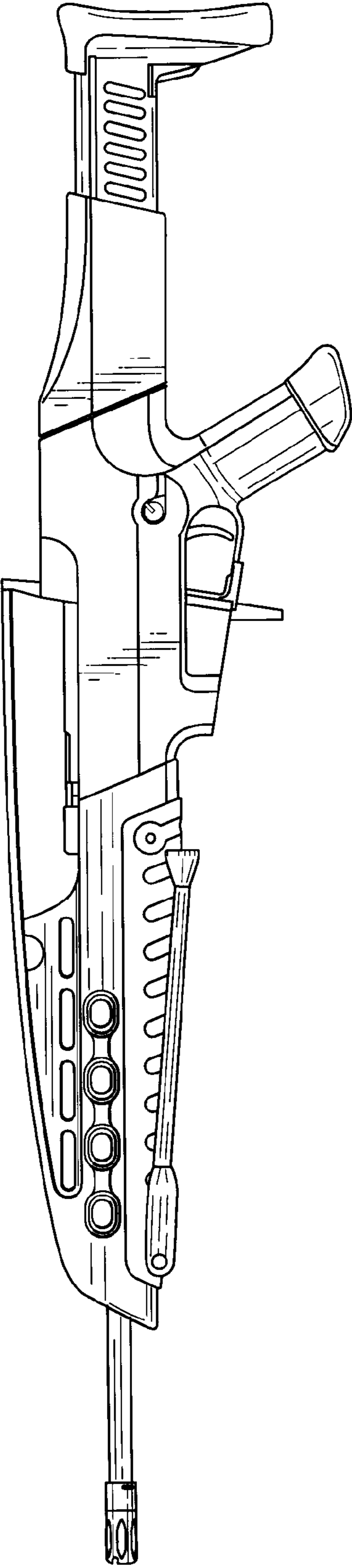


Fig. 3

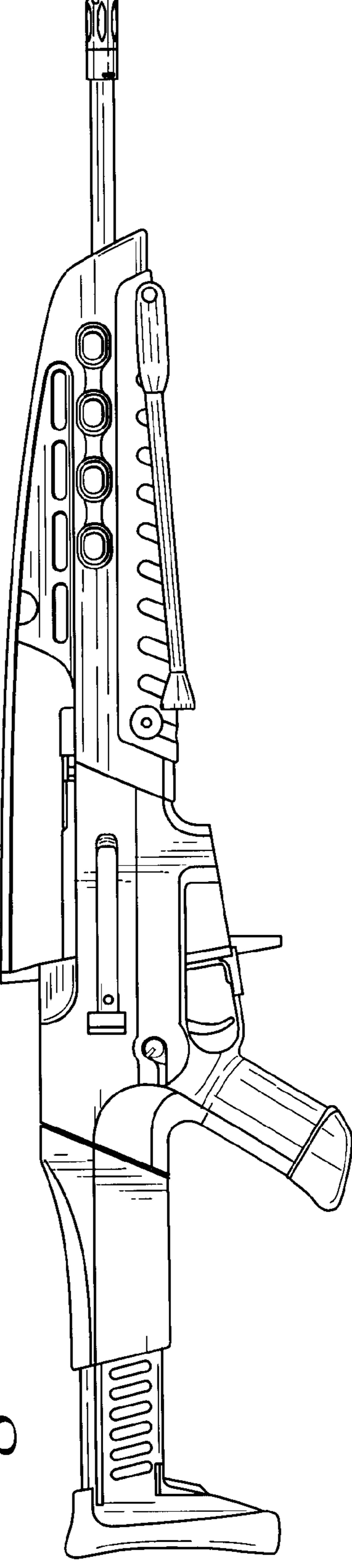


Fig. 4

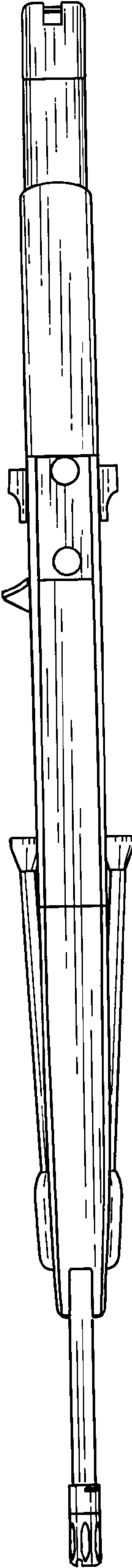


Fig. 5

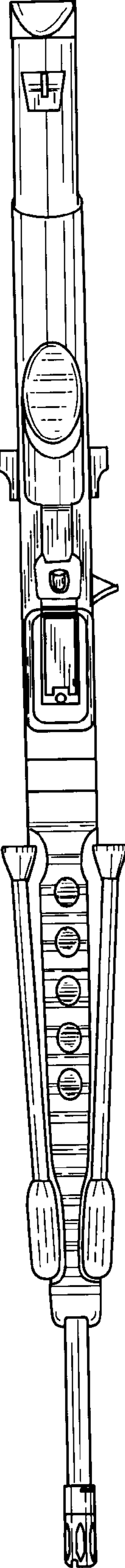


Fig. 6

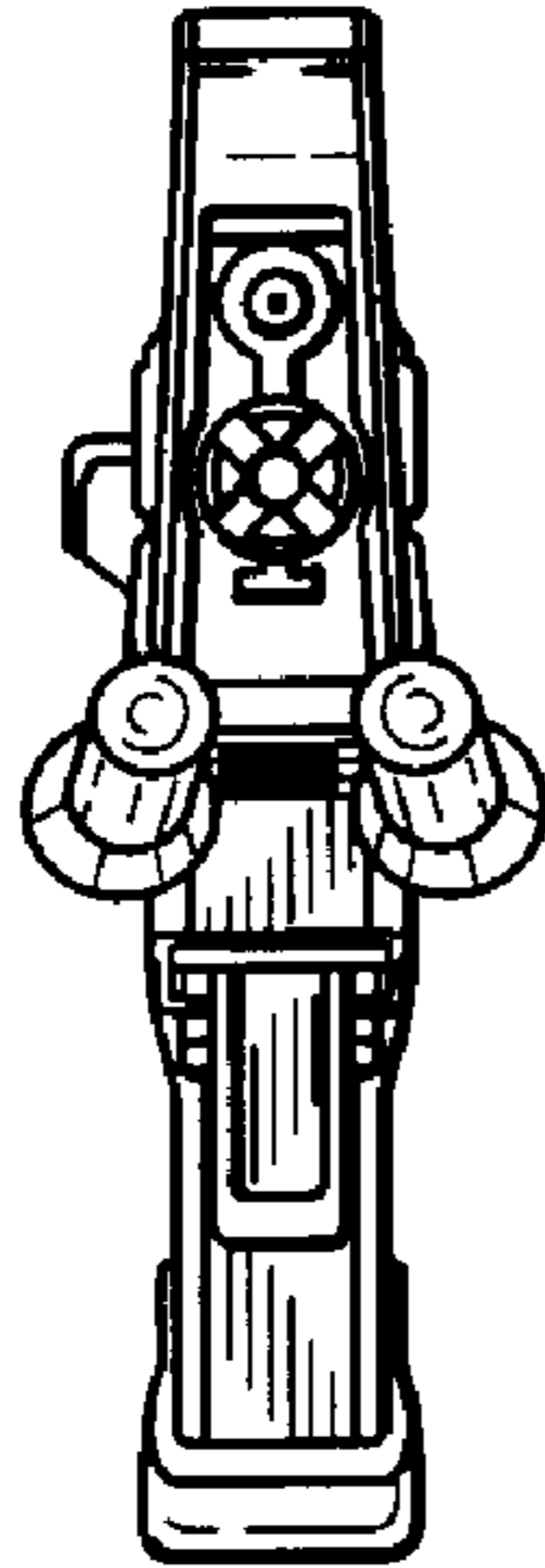
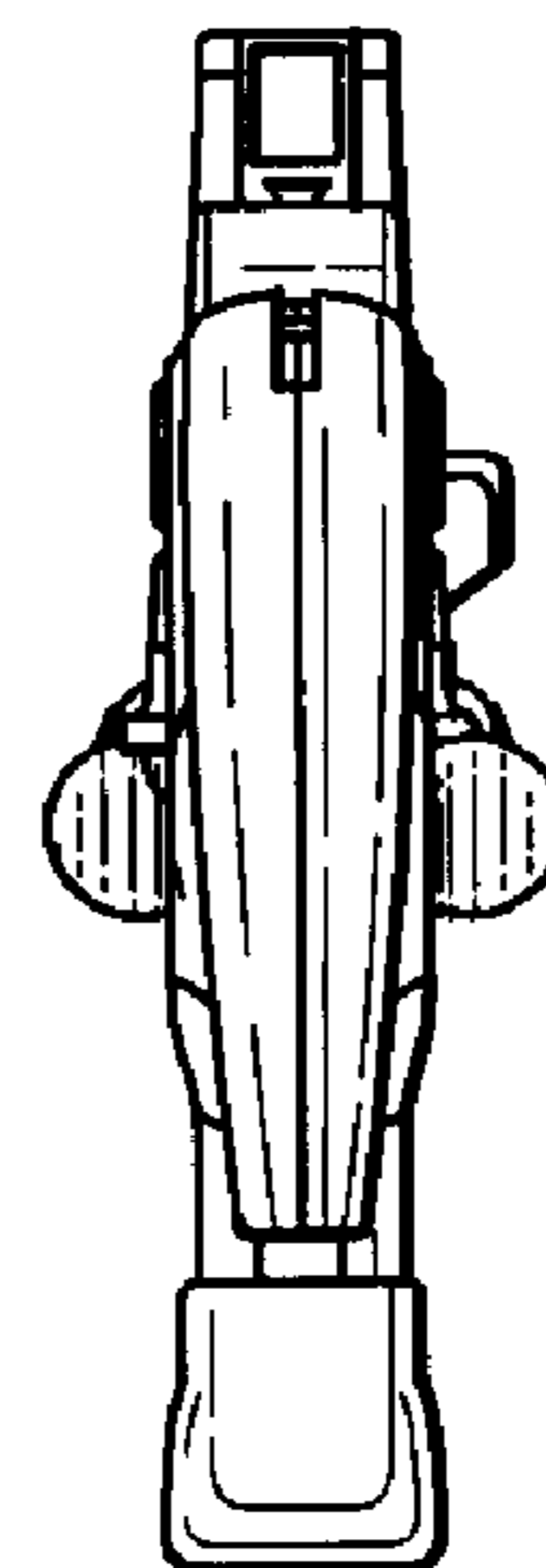


Fig. 7



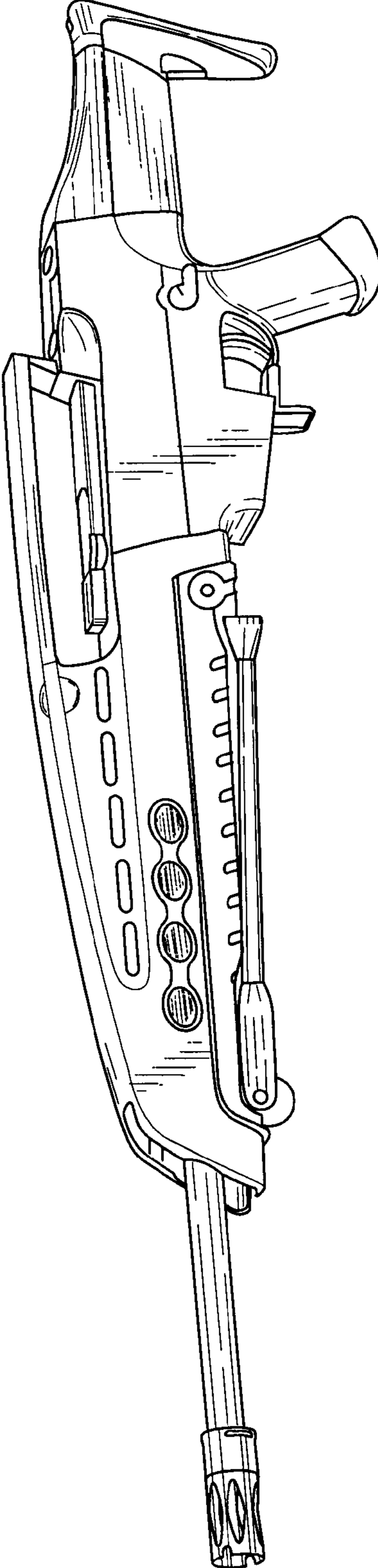


Fig. 8

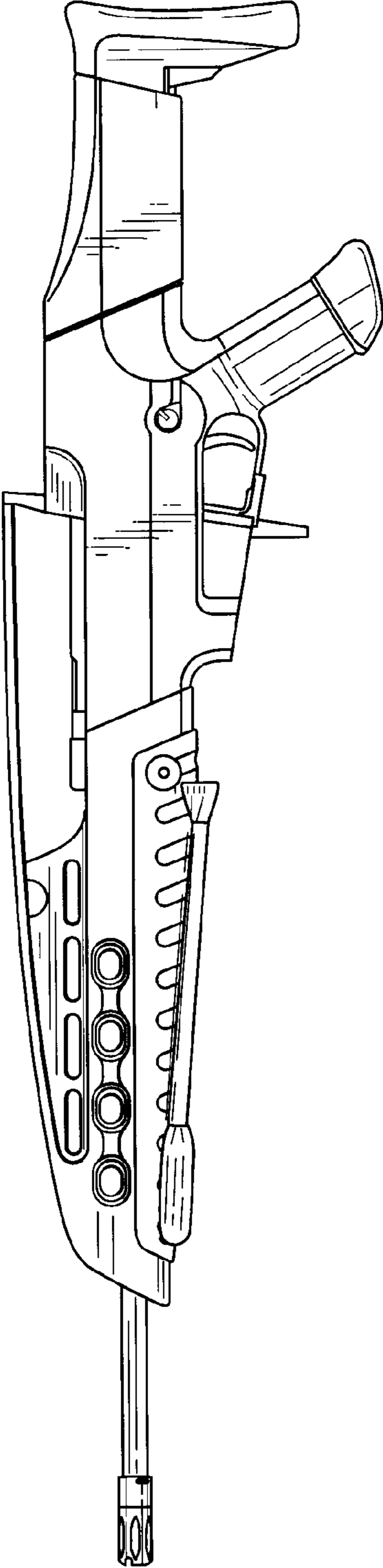


Fig. 9

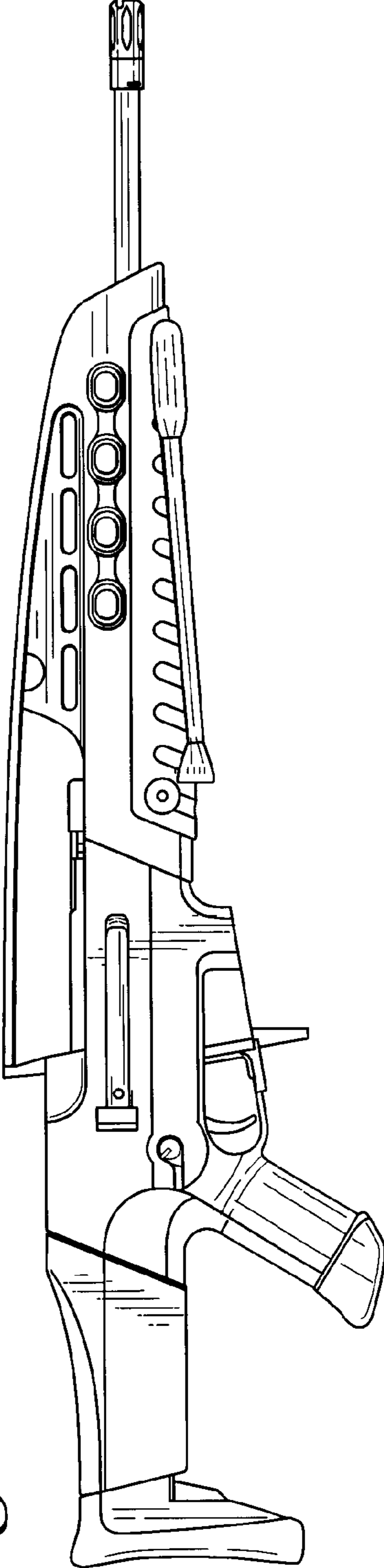
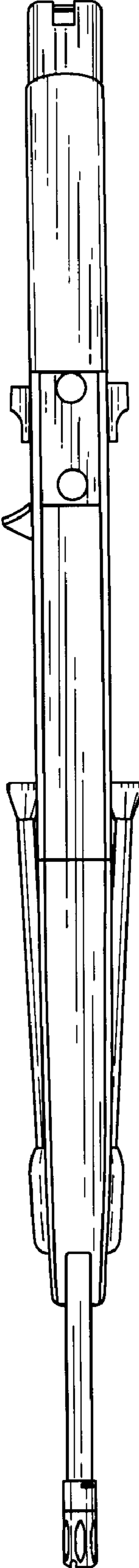


Fig. 10

Fig. 11



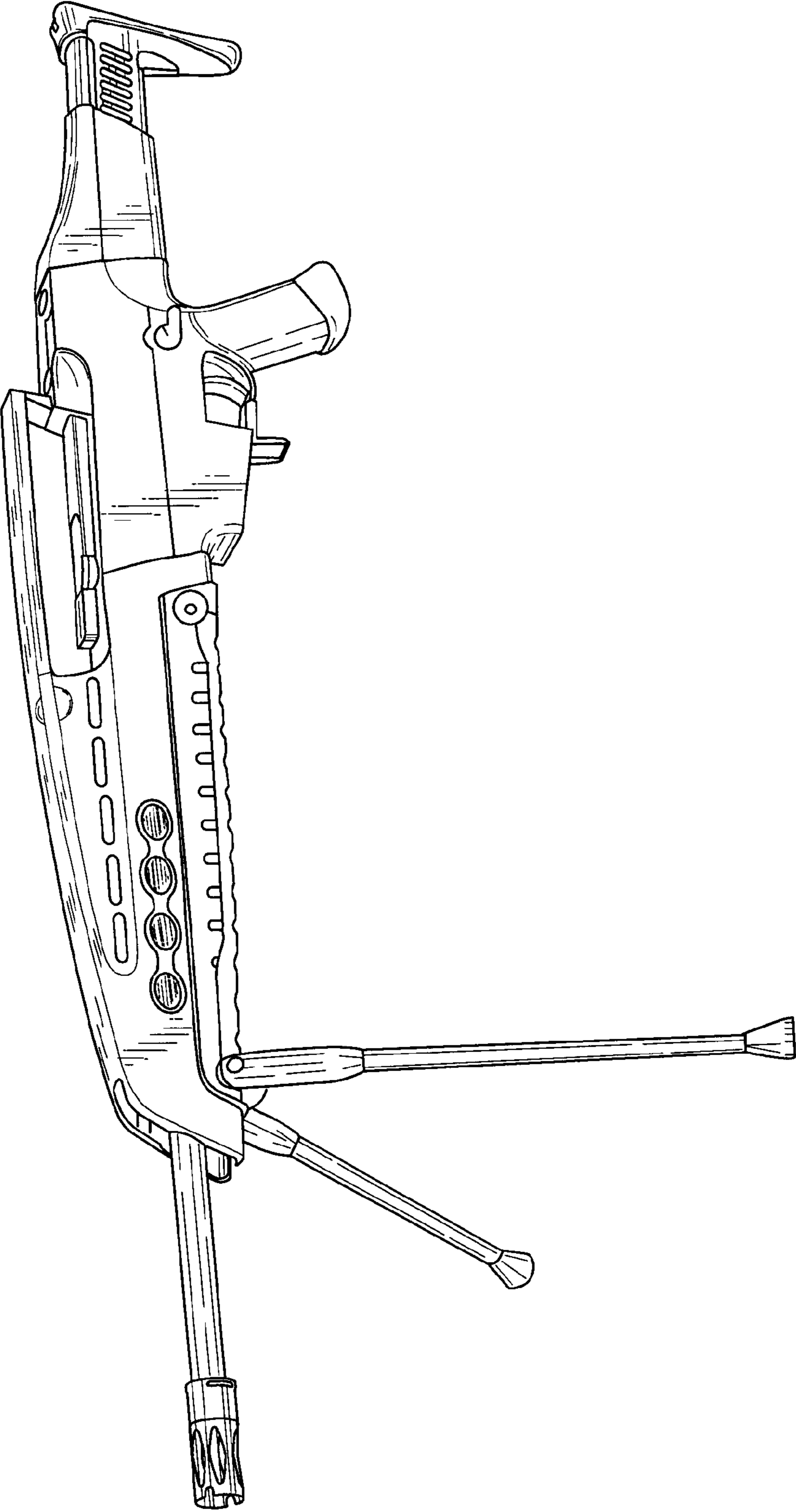
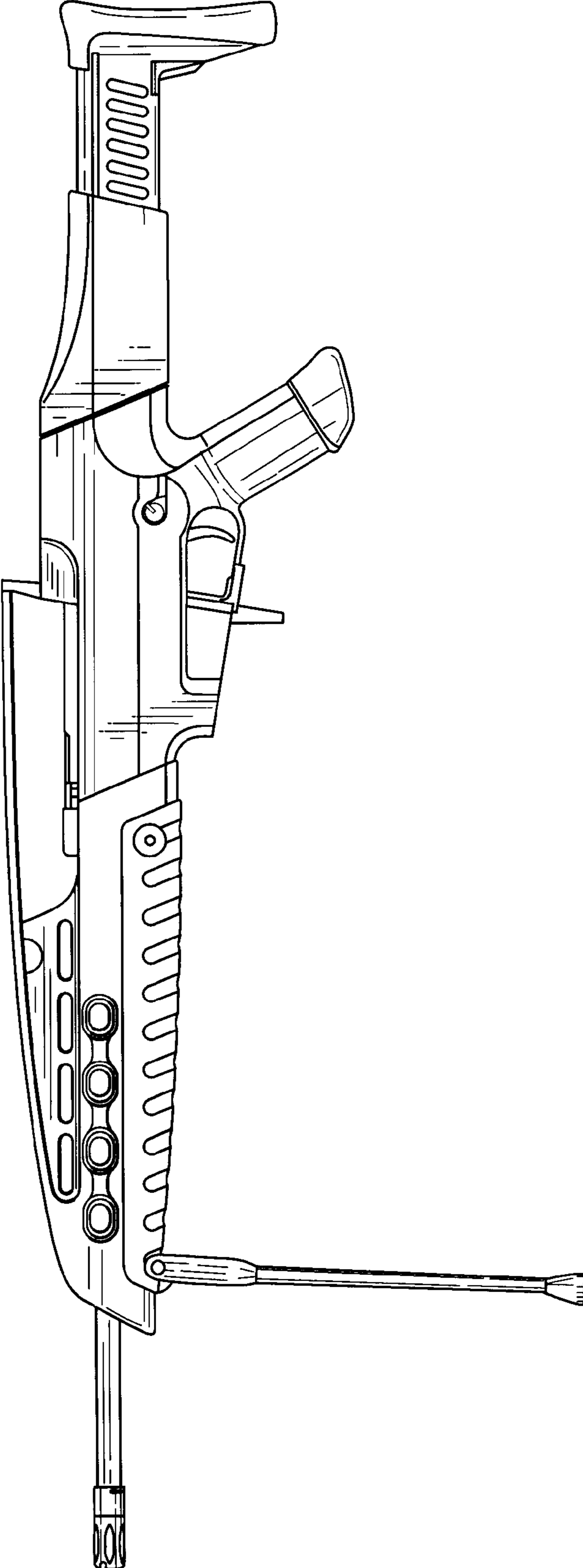


Fig. 12

Fig. 13



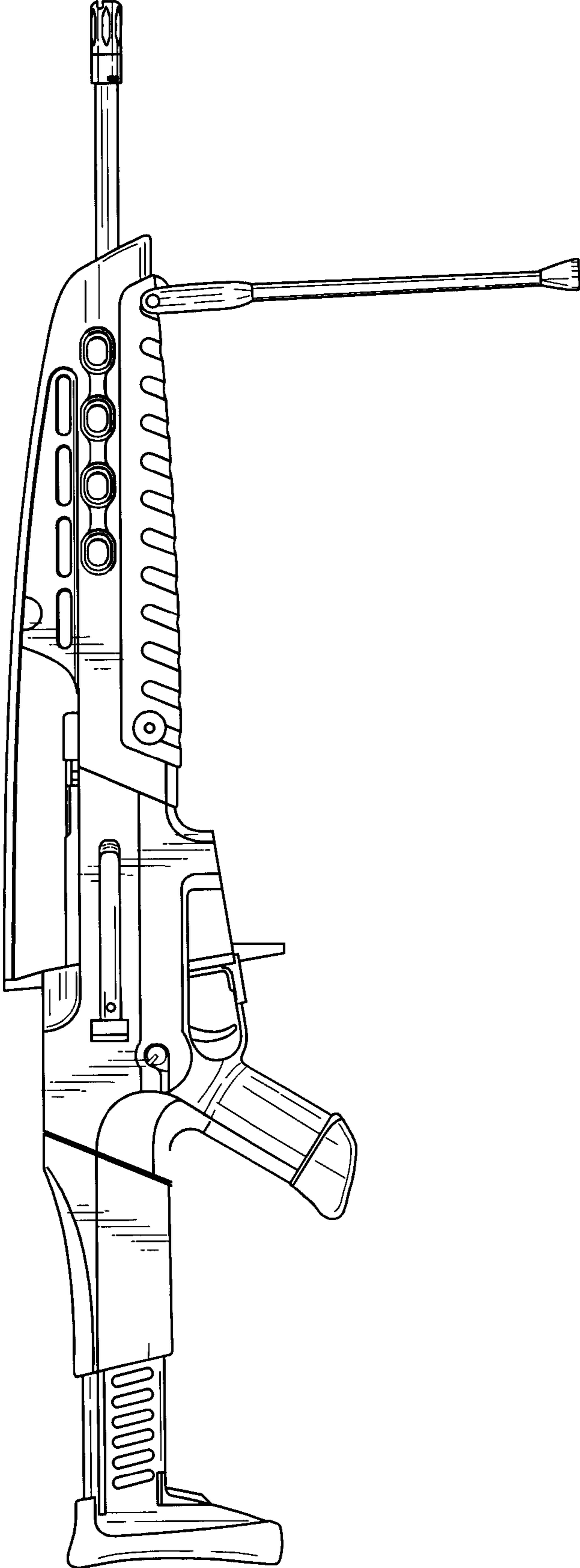


Fig. 14

Fig. 15

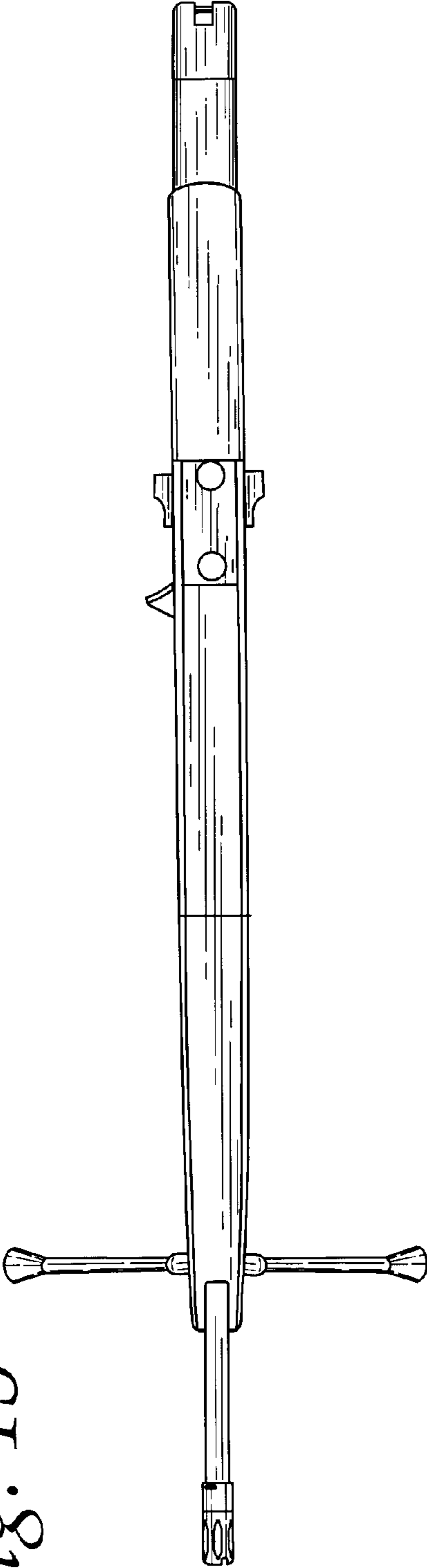


Fig. 16

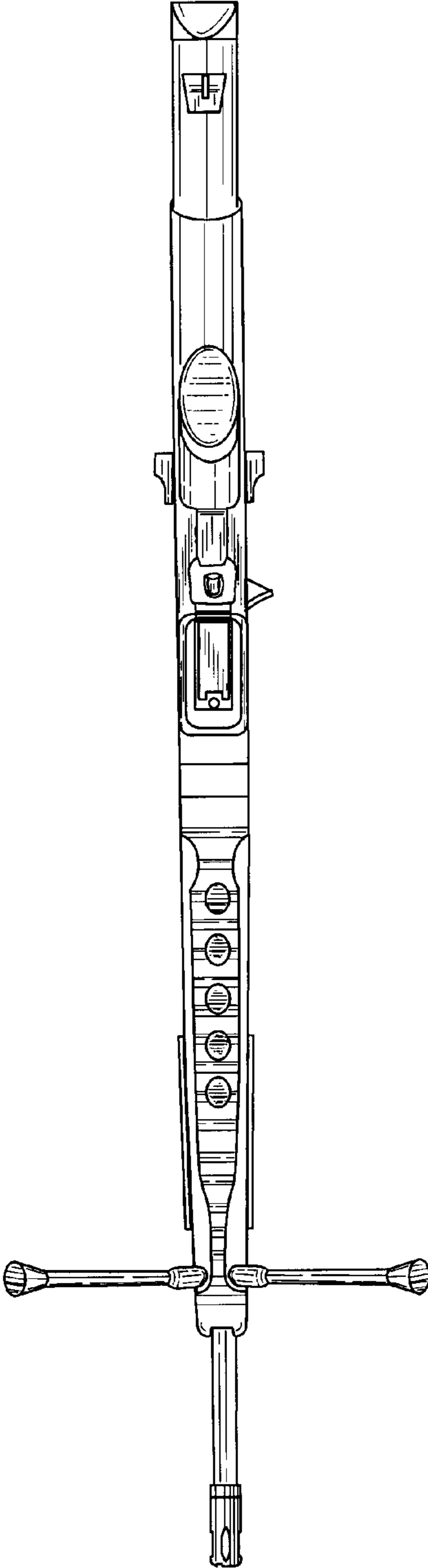


Fig. 17

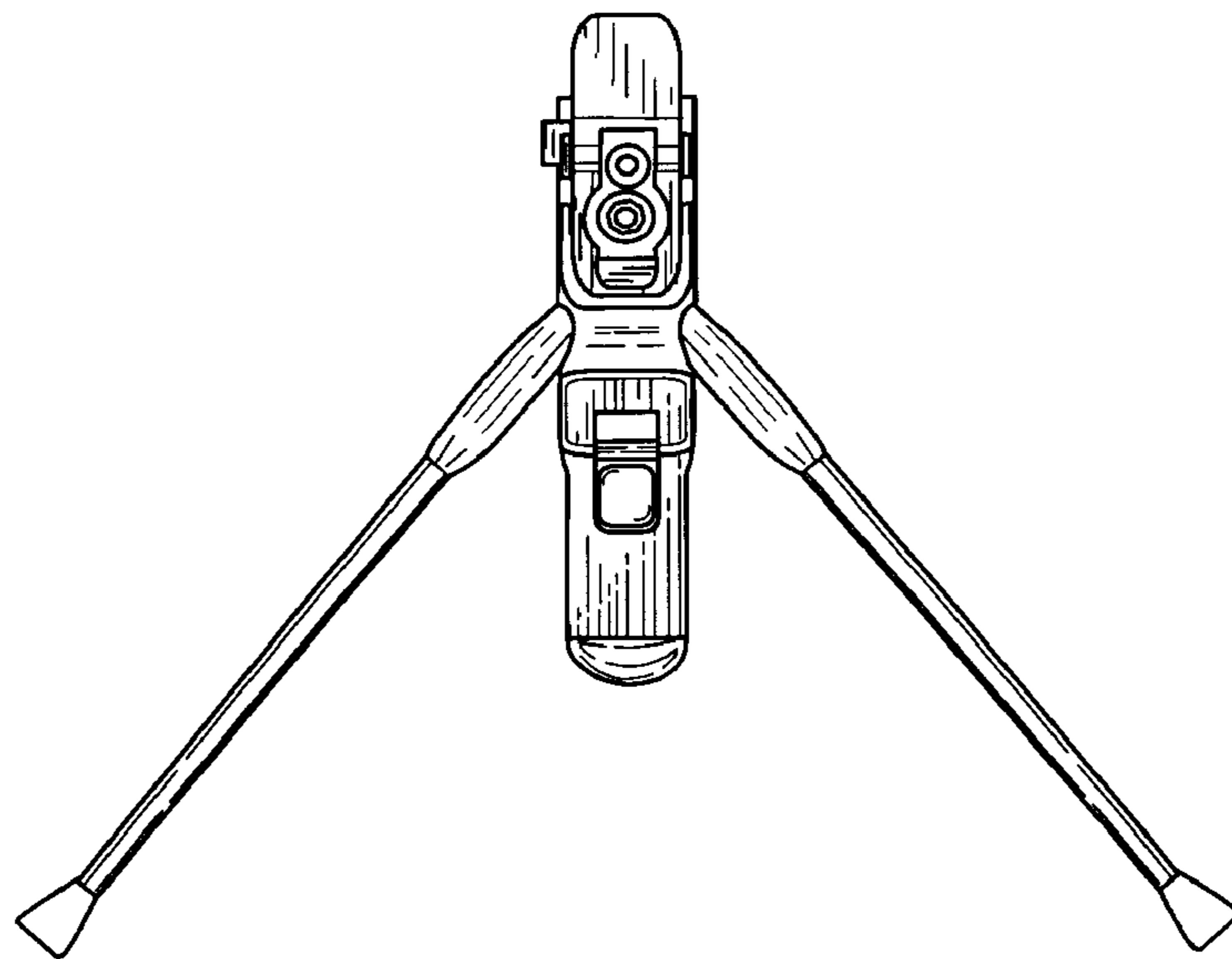
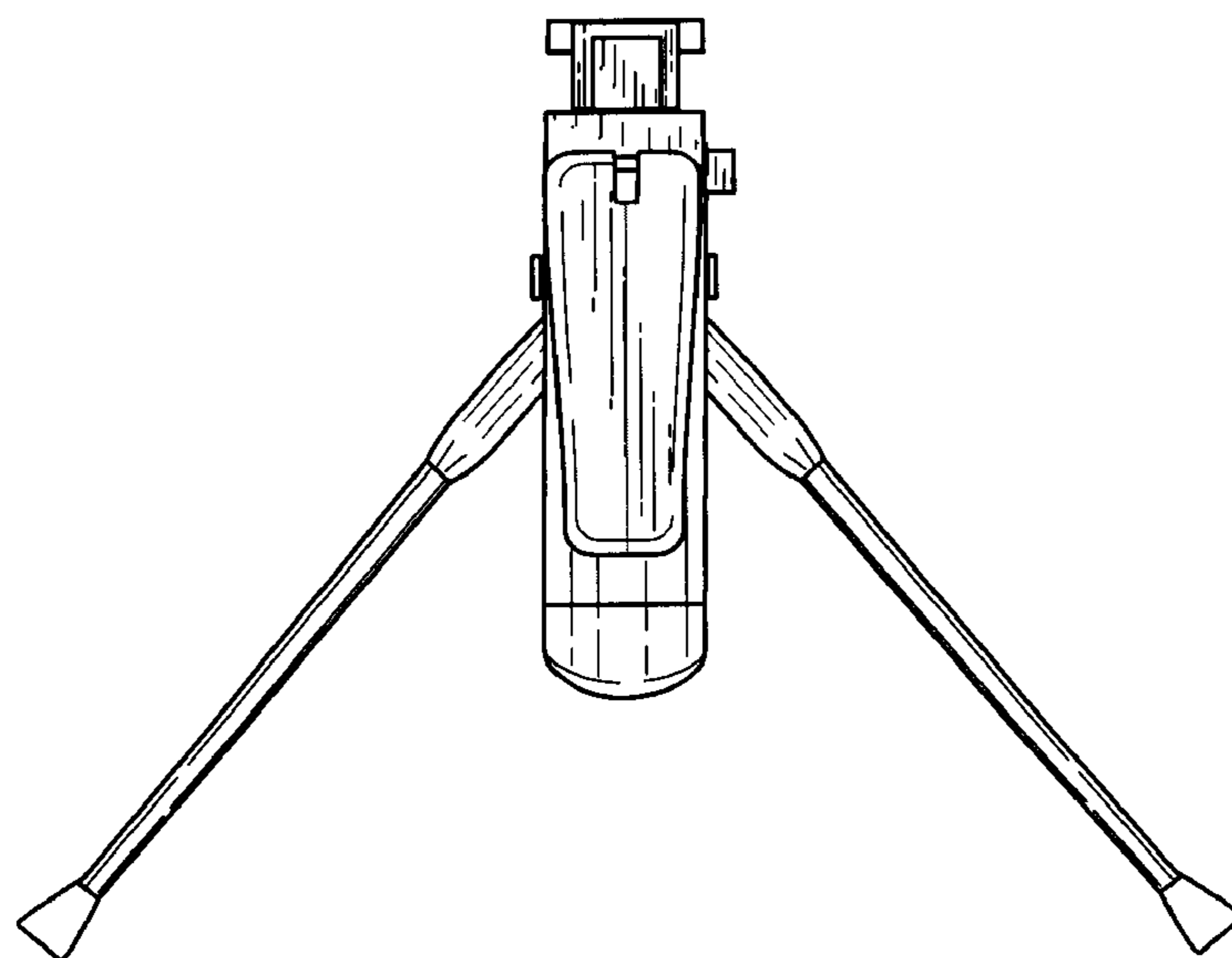


Fig. 18



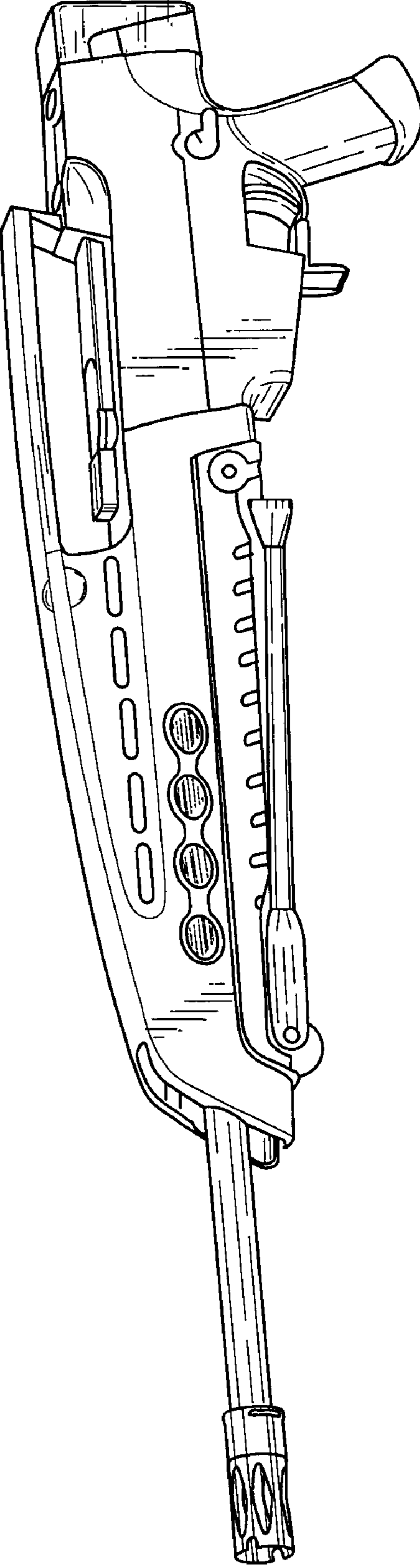


Fig. 19

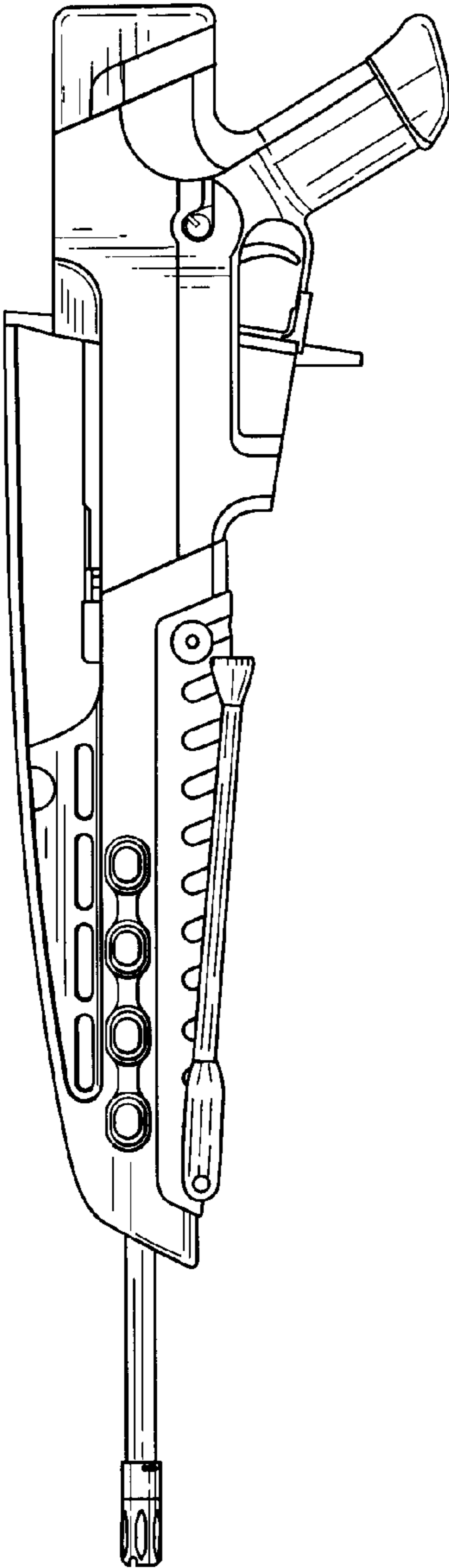


Fig. 20

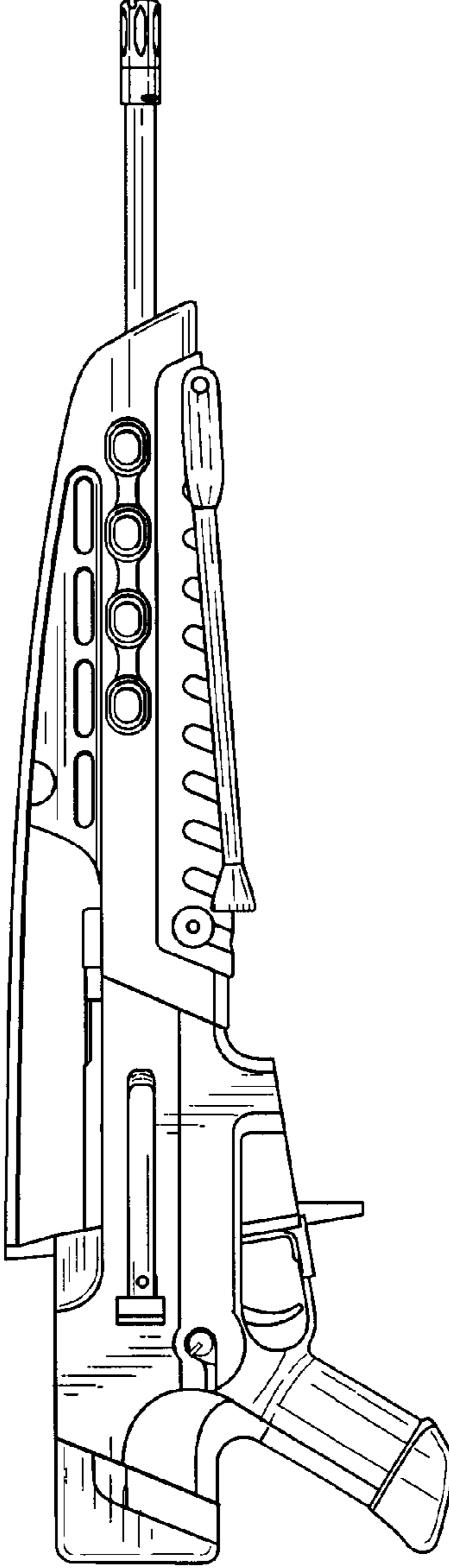
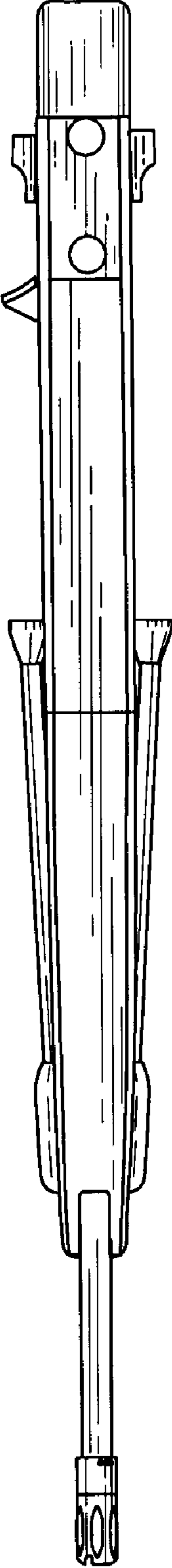


Fig. 21

Fig. 22



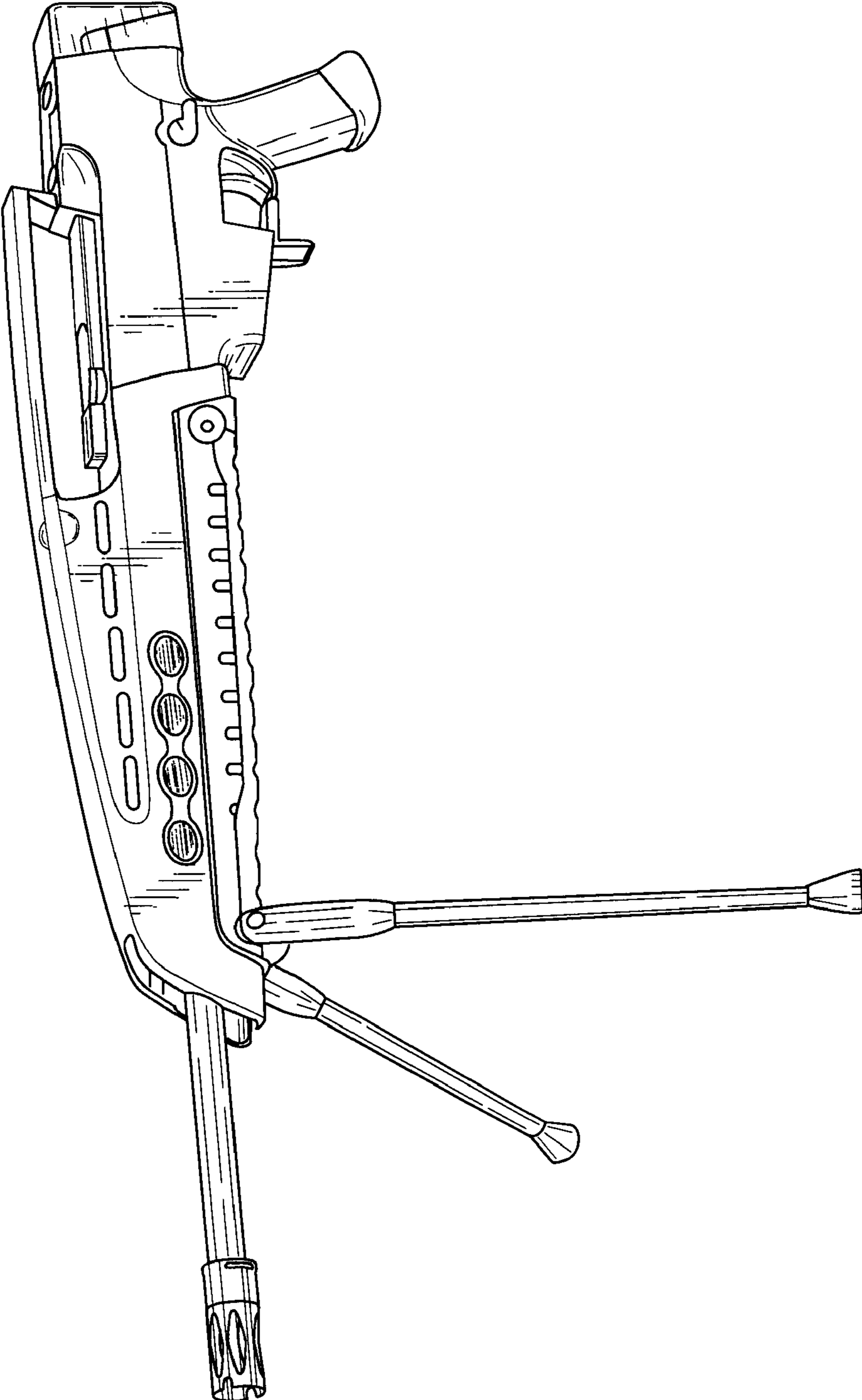


Fig. 23

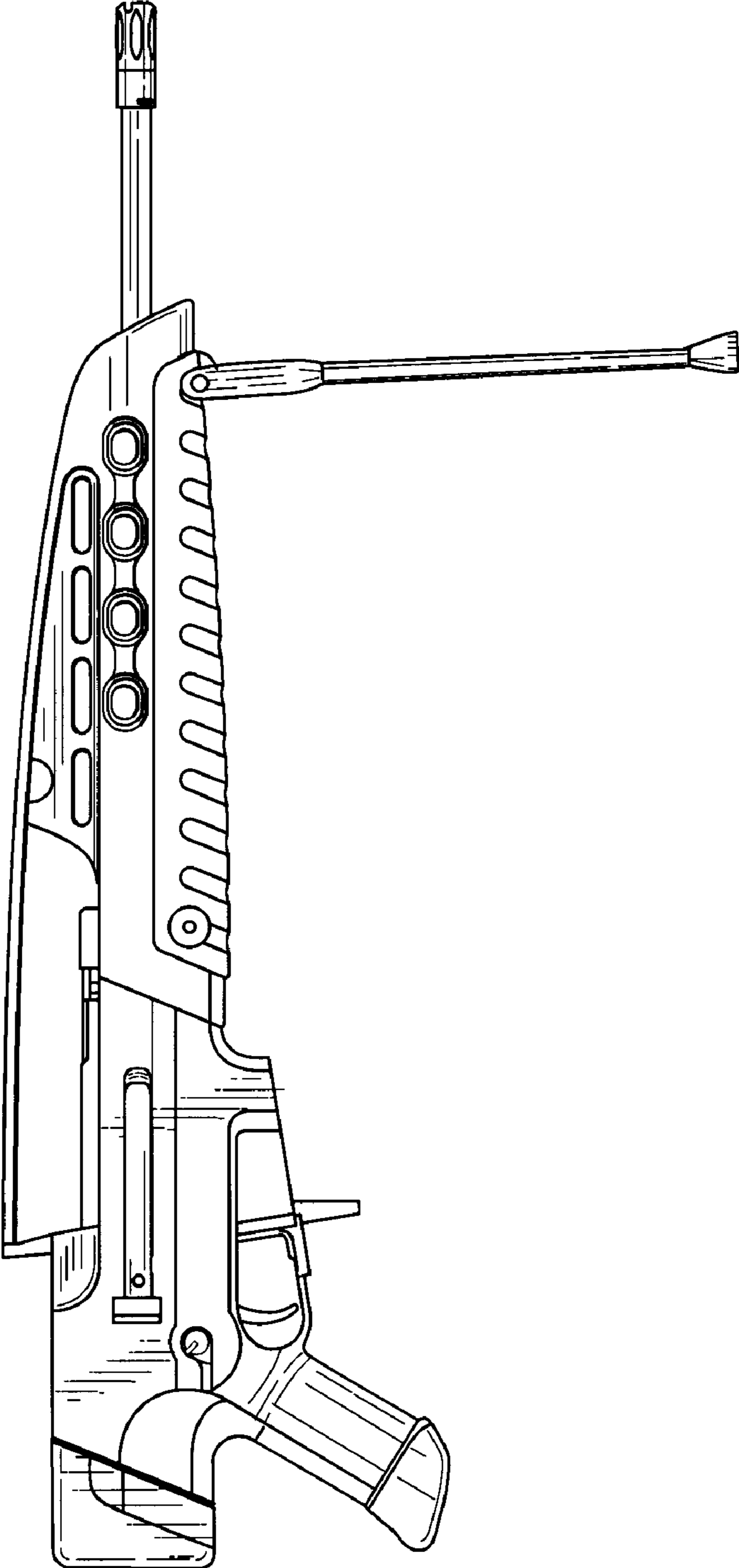


Fig. 24

Fig. 25

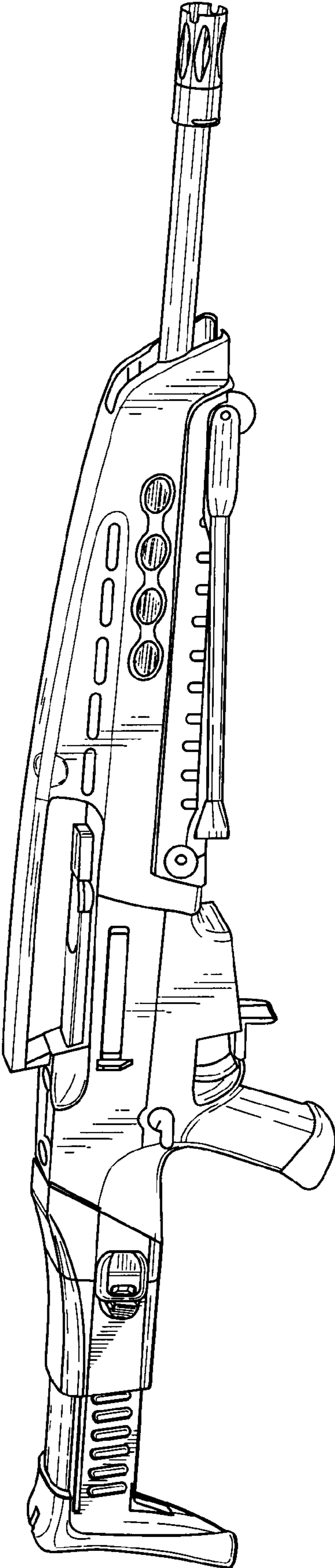
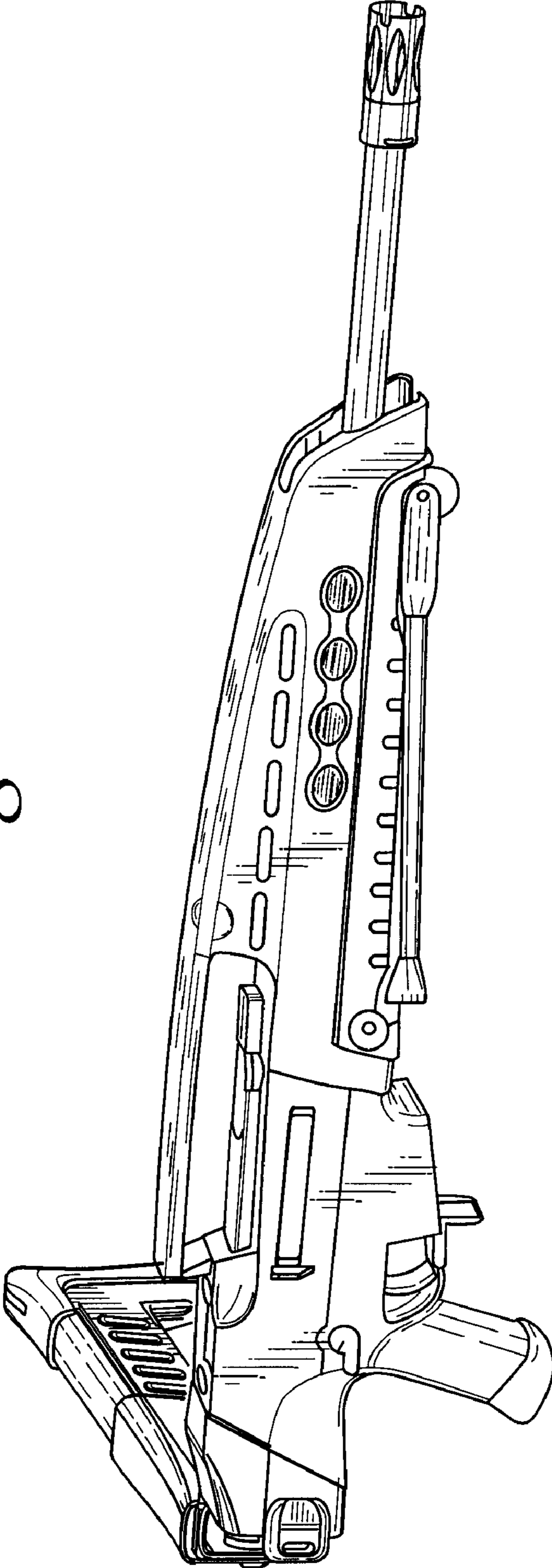


Fig. 26



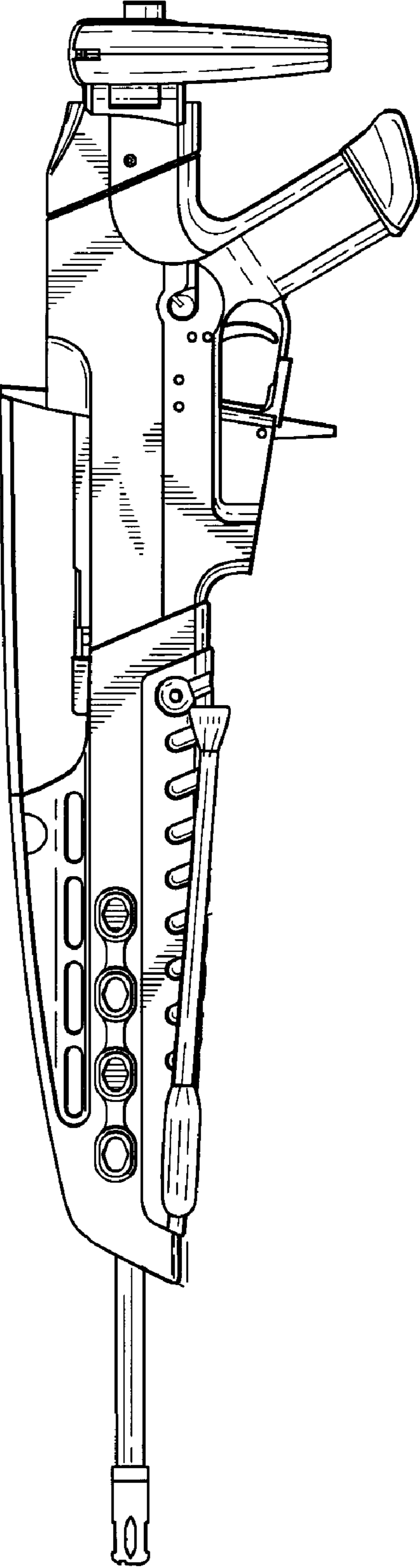


Fig. 27