

US00D512113S

(12) **United States Design Patent** (10) **Patent No.:** **US D512,113 S**  
**Carter** (45) **Date of Patent:** **\*\* Nov. 29, 2005**

(54) **EXERCISE DEVICE**

(75) Inventor: **Kenneth E. Carter**, Clermont, CA (US)

(73) Assignee: **Task Industries, Inc.**, Pomona, CA (US)

(\*\*) Term: **14 Years**

(21) Appl. No.: **29/221,477**

(22) Filed: **Jan. 14, 2005**

D384,117 S	*	9/1997	Piaget et al.	.....	D21/676
5,674,167 A	*	10/1997	Piaget et al.	.....	482/130
5,795,272 A		8/1998	Brenke	.....	482/103
5,830,116 A		11/1998	Gautier	.....	482/45
D402,337 S	*	12/1998	Chen	.....	D21/675
D413,947 S	*	9/1999	Gvoich	.....	D21/676
6,015,369 A	*	1/2000	Rasmussen	.....	482/96
6,165,110 A		12/2000	Gajda	.....	481/102
6,217,493 B1		4/2001	Spletzer	.....	482/103
6,443,877 B1		9/2002	Hoecht et al.	.....	482/93
6,447,430 B1	*	9/2002	Webb et al.	.....	482/98
6,561,960 B2	*	5/2003	Webber	.....	482/138
6,565,490 B2		5/2003	O'Hearn	.....	482/102
2003/0017918 A1		1/2003	Webb et al.	.....	482/94

**Related U.S. Application Data**

(62) Division of application No. 29/192,760, filed on Oct. 28, 2003, now Pat. No. Des. 502,515.

(51) **LOC (8) Cl.** ..... **21-02**

(52) **U.S. Cl.** ..... **D21/676; D21/675**

(58) **Field of Search** ..... D21/673, 675, D21/676; 482/93, 94, 95, 96, 97, 98, 99, 100, 133, 134, 135, 138

(56) **References Cited**

**U.S. PATENT DOCUMENTS**

4,549,733 A	10/1985	Salyer	.....	272/118	
4,603,855 A	8/1986	Sebelle	.....	272/117	
5,018,725 A	5/1991	Cook	.....	272/118	
D324,710 S	*	3/1992	Habing	.....	D21/675
5,102,122 A	4/1992	Piane, Jr. et al.	.....	482/133	
D330,238 S	*	10/1992	Desiderio	.....	D21/675
D370,040 S	*	5/1996	Habing et al.	.....	D21/675
5,549,529 A	*	8/1996	Rasmussen	.....	482/96

**FOREIGN PATENT DOCUMENTS**

WO WO 97/41927 11/1997 ..... A63B/21/06

\* cited by examiner

*Primary Examiner*—Philip S. Hyder

(74) *Attorney, Agent, or Firm*—Cislo & Thomas LLP

(57) **CLAIM**

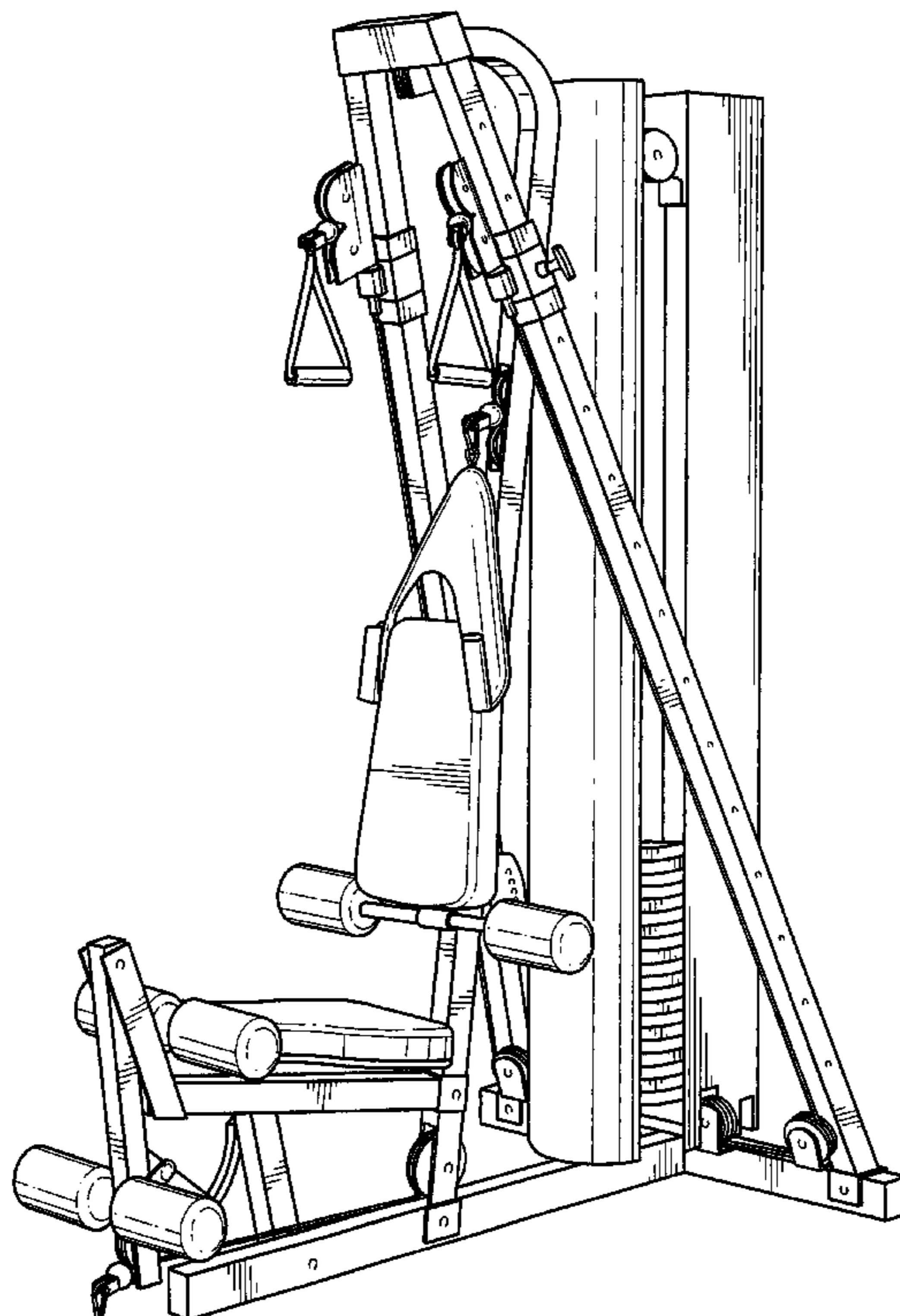
I claim the ornamental design for an exercise device, as shown and described.

**DESCRIPTION**

FIG. 1 is a front perspective view of my exercise device; FIG. 2 is a right side elevational view therein with the left side elevational view being a mirror image thereof; and, FIG. 3 is a front view thereof.

The broken line portions of the disclosure are for illustrative purposes only and form no part of the claimed design.

**1 Claim, 3 Drawing Sheets**



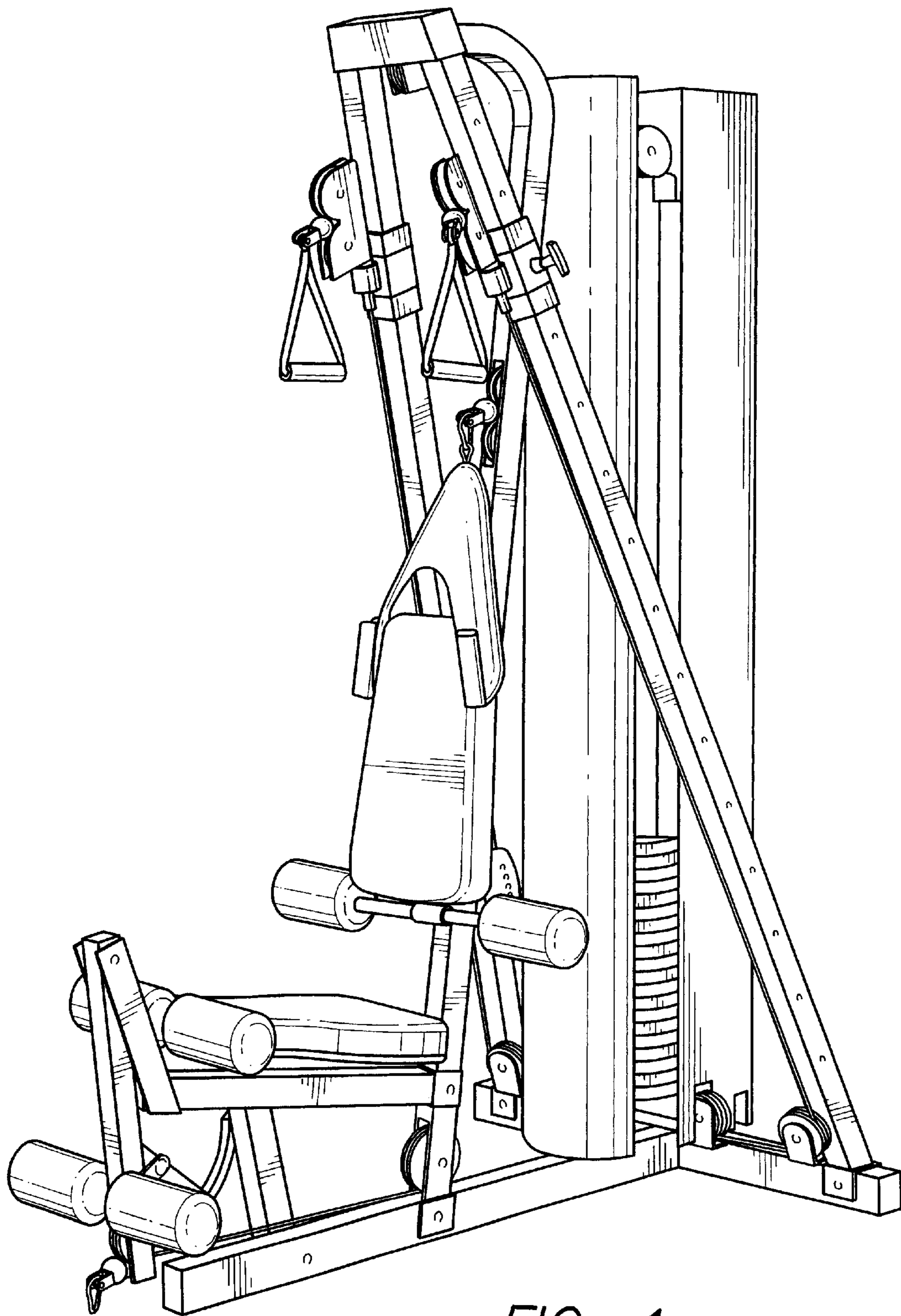


FIG. 1

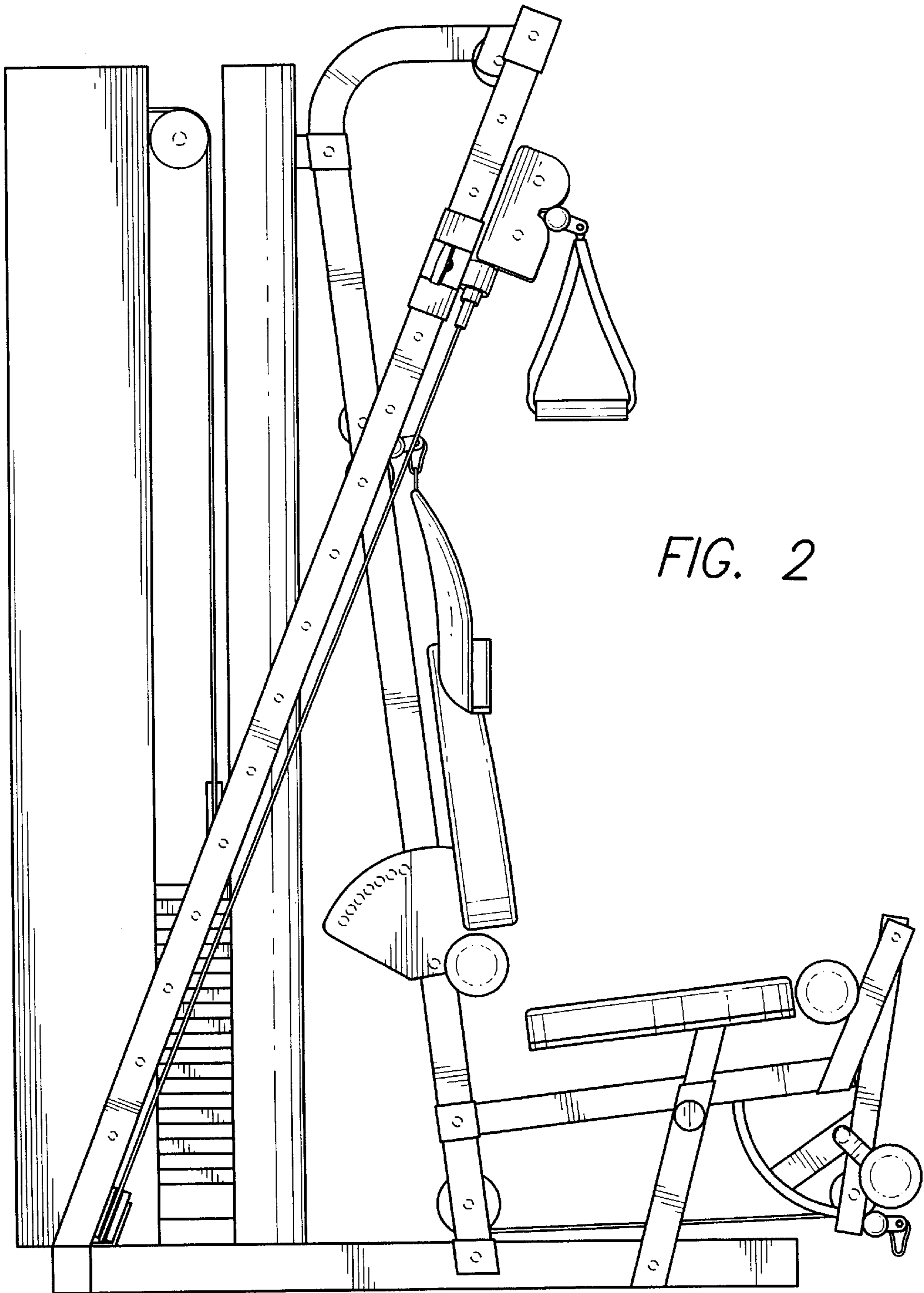


FIG. 2

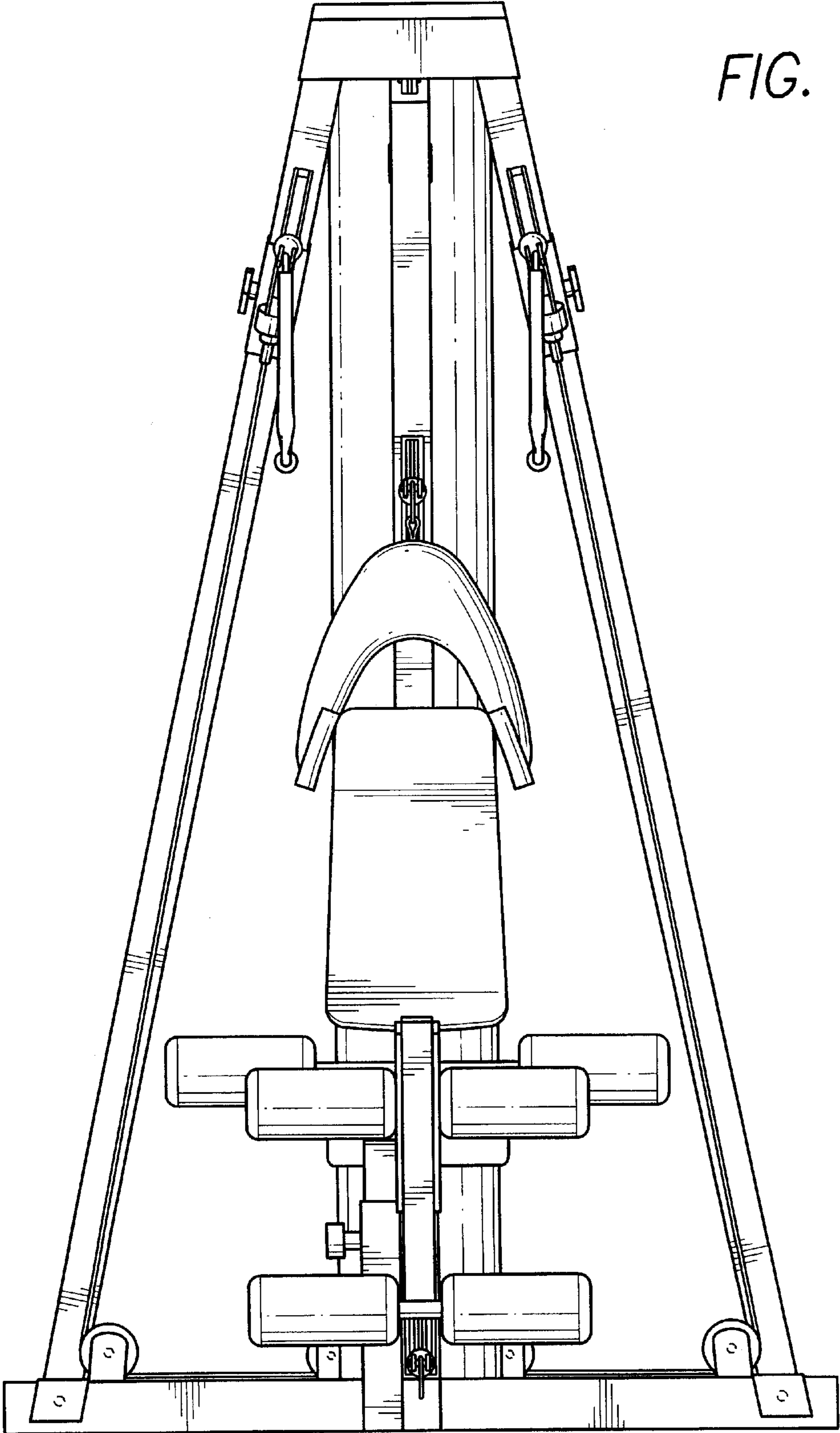


FIG. 3