

US00D512111S

(12) **United States Design Patent**
Summers

(10) **Patent No.:** **US D512,111 S**

(45) **Date of Patent:** **** Nov. 29, 2005**

(54) **EXERCISER**

(76) **Inventor:** **Neil Summers**, Beechwood House,
King Georges Hill, Abinger Bottom,
Docking, Surrey (GB), RH5 6JW

(**) **Term:** **14 Years**

(21) **Appl. No.:** **29/190,429**

(22) **Filed:** **Sep. 18, 2003**

(30) **Foreign Application Priority Data**

Mar. 19, 2003 (GB) 3011754

(51) **LOC (8) Cl.** **21-02**

(52) **U.S. Cl.** **D21/668**

(58) **Field of Search** D21/663, 668,
D21/669, 670; 482/51, 52, 71, 63

(56) **References Cited**

U.S. PATENT DOCUMENTS

5,020,793 A * 6/1991 Loane 482/71

5,279,532 A * 1/1994 Chen 482/71

5,328,427 A * 7/1994 Sleamaker 482/71

5,582,567 A * 12/1996 Chang 482/146

6,280,366 B1 * 8/2001 Hsieh 482/130

6,368,254 B1 * 4/2002 Wall 482/71

6,514,180 B1 * 2/2003 Rawls 482/70

* cited by examiner

Primary Examiner—Philip S. Hyder

(74) *Attorney, Agent, or Firm*—Baker & Daniels

(57) **CLAIM**

The ornamental design for an exerciser, as shown.

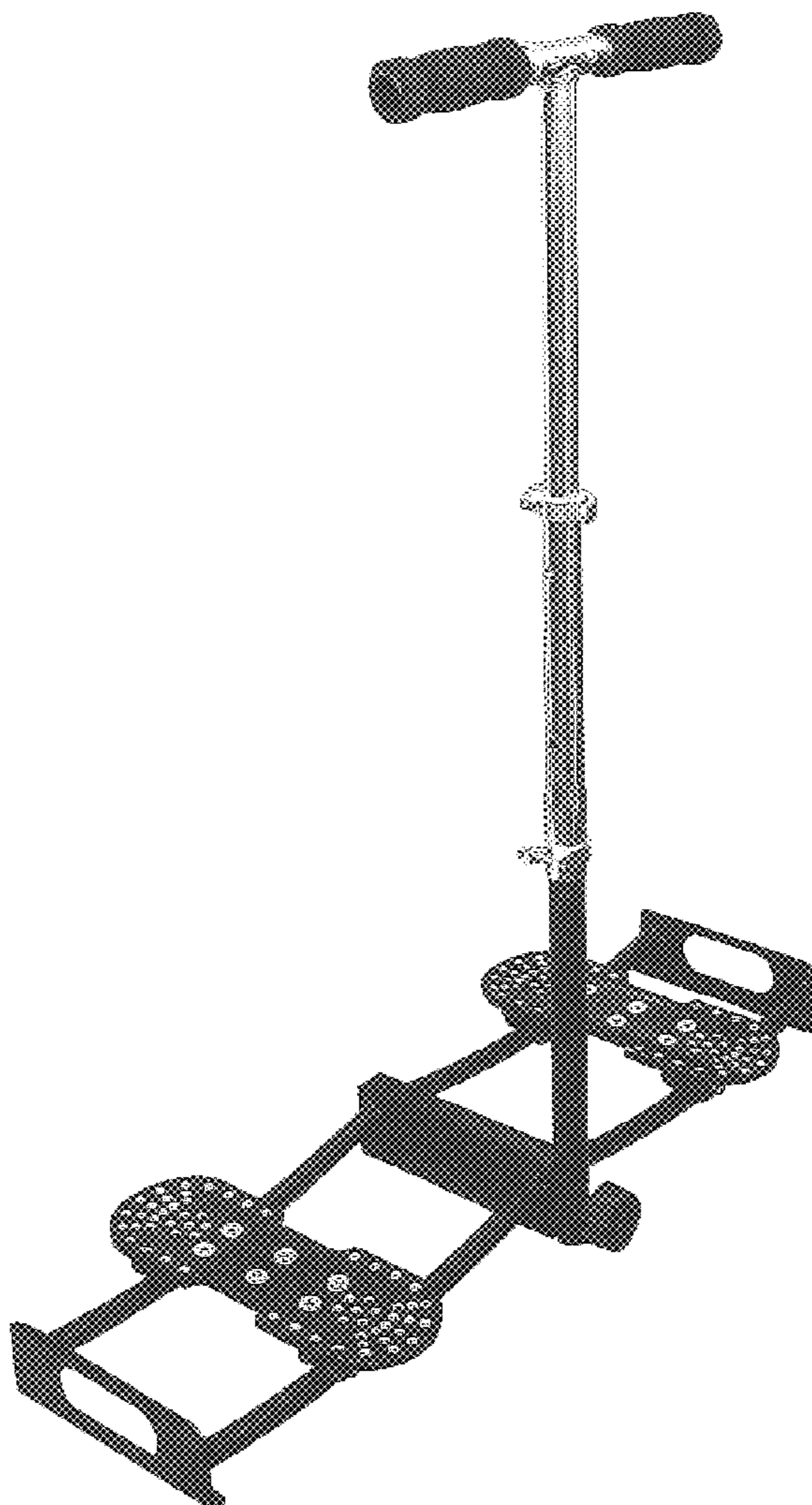
DESCRIPTION

FIG. 1 is a front perspective view from above and one side of the exerciser showing my new design;

FIG. 2 is a rear perspective view thereof; and,

FIG. 3 is a front perspective view from below.

1 Claim, 3 Drawing Sheets



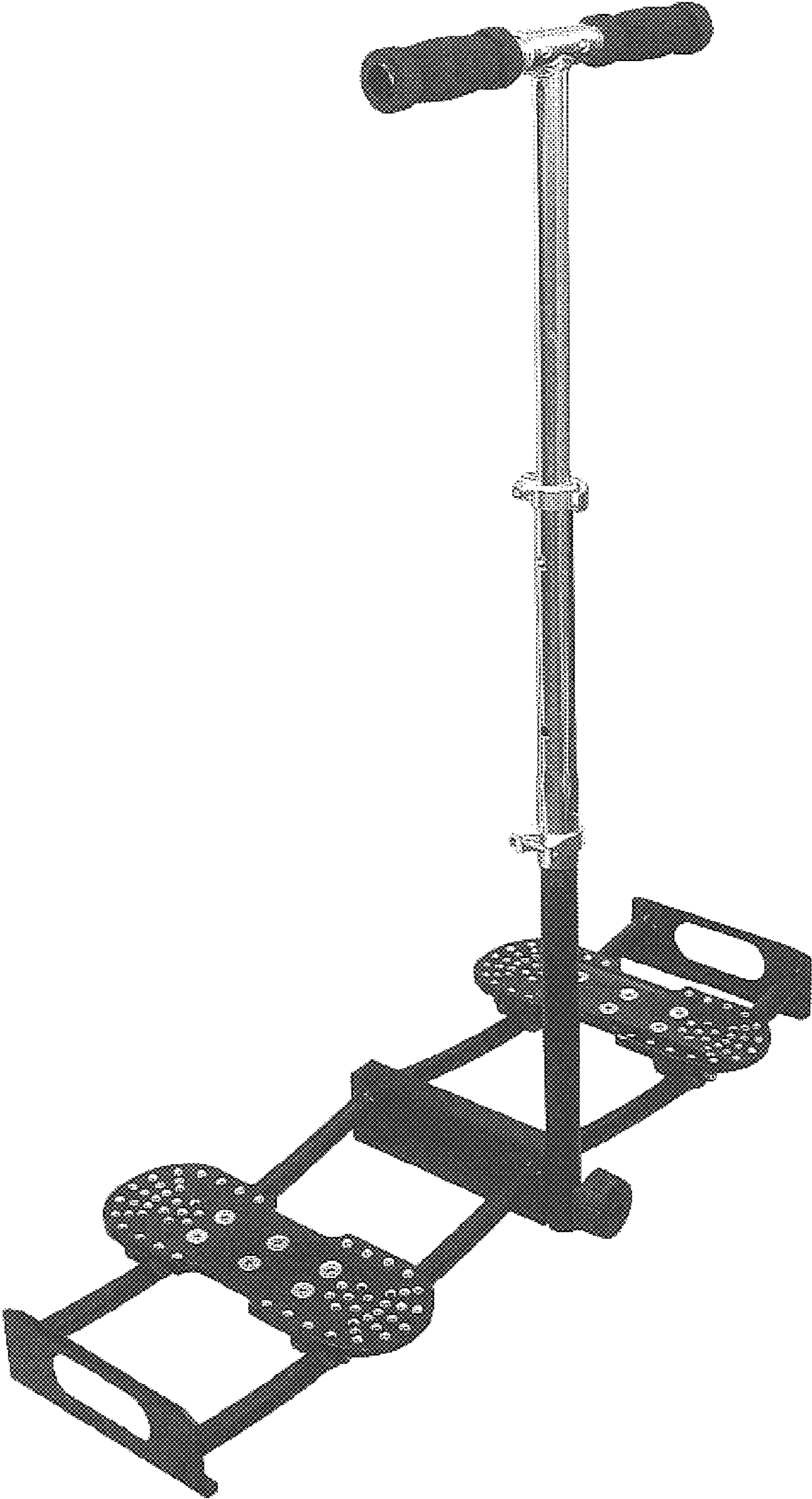


Fig. 1.



Fig.2.



Fig.3.