



US00D512109S

(12) **United States Design Patent** (10) Patent No.: **US D512,109 S**
Orr (45) Date of Patent: **** Nov. 29, 2005**

(54) **FIN AND PIVOT AND CIRCLE MARKER TRIGGER**
 (76) Inventor: **Jeffrey G. Orr**, 3779 Trinity Cir.,
 Corona, CA (US) 92881
 (**) Term: **14 Years**
 (21) Appl. No.: **29/211,725**
 (22) Filed: **Aug. 19, 2004**
 (51) **LOC (8) Cl.** **21-01**
 (52) **U.S. Cl.** **D21/573**
 (58) **Field of Search** D21/567, 570,
 D21/572-575; D22/100, 103, 104, 108,
 109, 115; 124/56, 64, 65, 70-74, 76, 77

4,066,000 A	1/1978	Rostocil	89/198
4,133,128 A	1/1979	Brush	42/70 R
4,207,799 A	6/1980	Tocco	89/196
4,282,795 A	8/1981	Beretta	89/148
4,347,679 A	9/1982	Grunig et al.	42/84
4,362,145 A	12/1982	Stelcher	124/32
4,516,273 A	5/1985	Gregory et al.	2/2
4,589,327 A	5/1986	Smith	89/148
4,602,608 A	7/1986	Lacam et al.	124/74
4,679,487 A	7/1987	Houseman	89/140
4,694,815 A	9/1987	Hung	124/27
4,770,153 A	9/1988	Edelman	124/72
4,779,245 A	10/1988	Chelminski	367/144
4,785,930 A	11/1988	Fischer et al.	206/3
4,819,609 A	4/1989	Tippmann	124/72
4,899,717 A	2/1990	Rutten et al.	124/67

(Continued)

(56) **References Cited**

U.S. PATENT DOCUMENTS

43,573 A	7/1864	Crane	15/104.18
57,846 A	9/1866	Bausman	15/104.16
143,139 A	9/1873	Gould	15/104.16
645,932 A	3/1900	Ferrant	89/125
1,167,178 A	1/1916	Hill	124/56
1,343,127 A	6/1920	Hallinan	124/54
1,743,576 A	1/1930	Smith	124/72
2,453,683 A	11/1948	Caldow	42/70
2,484,267 A	10/1949	Bower	15/242
2,550,887 A	5/1951	Tratsch	124/1
2,563,720 A	8/1951	Guisasola	42/70
2,568,432 A	9/1951	Cook	124/13
2,834,332 A	5/1958	Guthrie	124/13
2,845,055 A	7/1958	Collins et al.	124/11
3,089,476 A	5/1963	Wolverton	124/11
3,240,200 A	3/1966	Jones	124/11
3,273,553 A	9/1966	Doyle	124/3
3,374,708 A	3/1968	Wall et al.	89/1
3,494,344 A	2/1970	Vadas et al.	124/11
3,548,708 A	12/1970	Hubigh	89/1.818
3,572,310 A	3/1971	Chiba	124/11
3,695,246 A	10/1972	Filippi et al.	124/11
3,818,887 A	6/1974	Akiyama et al.	124/15
3,899,845 A	8/1975	Wild et al.	42/69
D237,678 S	11/1975	Spencer	D7/179
3,923,033 A	12/1975	Laporte et al.	124/8

FOREIGN PATENT DOCUMENTS

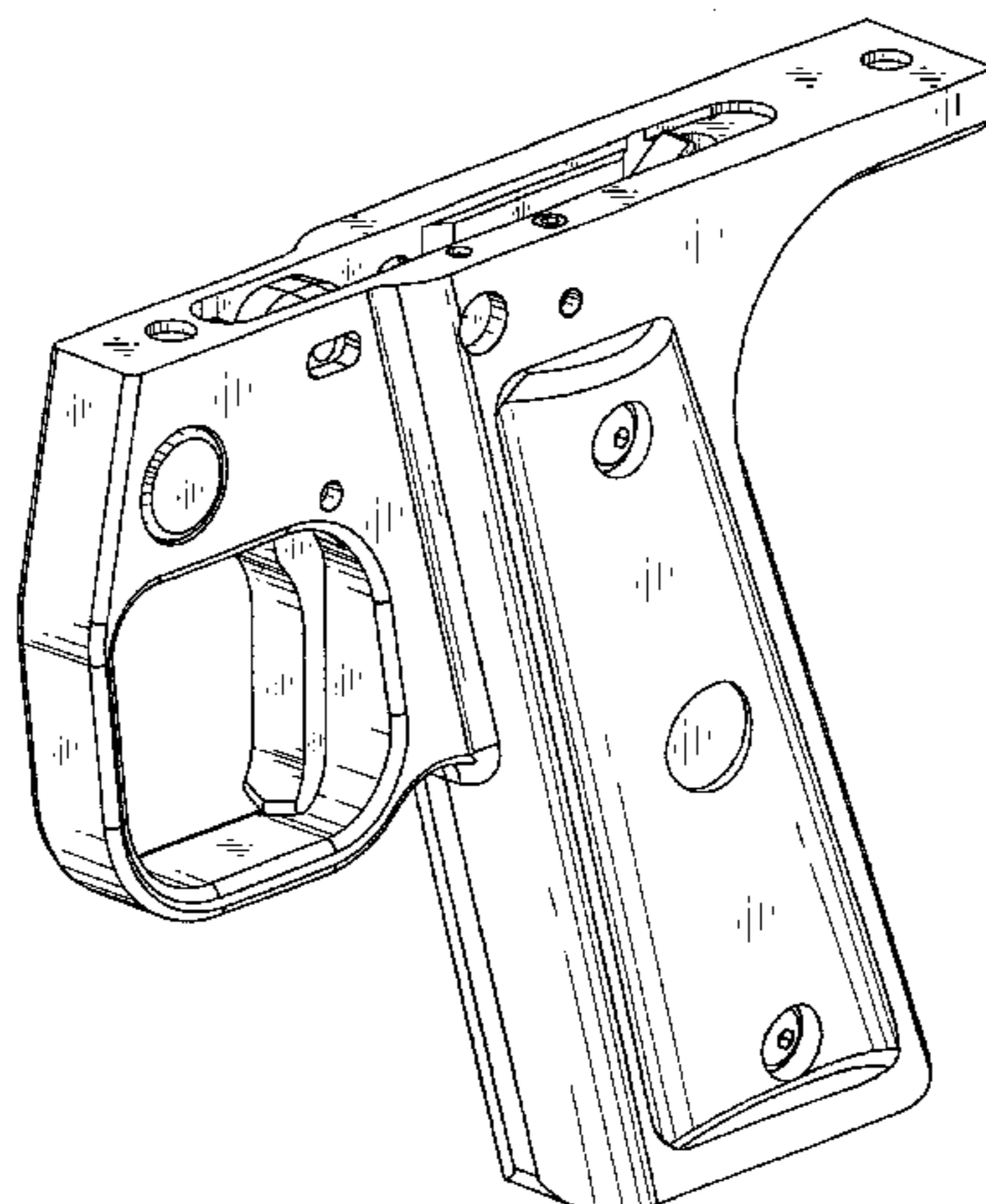
DE	19518884	6/1994	B65D/21/06
FR	2801567	10/1999	B65D/43/16
GB	2252302	8/1992	B65D/55/02
GB	2370027	6/2002	B65D/43/16
GB	2391292	2/2004	F41A/19/00

Primary Examiner—Holly Baynham*Assistant Examiner*—Cynthia M. Chin(74) *Attorney, Agent, or Firm*—Keisling Pieper & Scott
 PLC; David B. Pieper; Trent C. Keisling(57) **CLAIM**

The ornamental design for a fin and pivot and circle marker trigger, as shown and described.

DESCRIPTION

FIG. 1 is an isometric view of a fin and pivot and circle marker trigger showing my new design;
 FIG. 2 is a top plan view thereof;
 FIG. 3 is a front elevational view thereof;
 FIG. 4 is a left side elevational view thereof;
 FIG. 5 is a back elevational view thereof;
 FIG. 6 is a right elevational view thereof; and,
 FIG. 7 is a bottom plan view thereof.

1 Claim, 4 Drawing Sheets

U.S. PATENT DOCUMENTS

4,936,282 A 6/1990 Dobbins et al. 124/74
 4,940,138 A 7/1990 Hornstein 206/218
 D321,325 S 11/1991 Petrus D9/435
 5,063,905 A 11/1991 Farrell 124/72
 5,068,990 A 12/1991 Marzocco 42/70.04
 5,078,118 A 1/1992 Perrone 124/74
 5,149,898 A 9/1992 Chesnut et al. 42/69.01
 5,228,427 A 7/1993 Gardner, Jr. 124/71
 5,251,533 A 10/1993 Layton 89/142
 5,261,384 A 11/1993 Hu 124/66
 5,280,778 A 1/1994 Kotsiopoulos 124/73
 5,282,454 A 2/1994 Bell et al. 124/49
 5,293,708 A 3/1994 Strayer et al. 42/75.03
 5,349,939 A 9/1994 Perrone 124/76
 5,363,834 A 11/1994 Stuchlik 124/76
 5,370,105 A 12/1994 Firman 124/56
 5,413,083 A 5/1995 Jones 124/32
 5,462,042 A 10/1995 Grenwell 124/76
 D366,514 S 1/1996 Hochstrate et al. D22/108
 5,503,137 A 4/1996 Fusco 124/72
 5,596,162 A 1/1997 Burns 89/128
 5,613,483 A 3/1997 Lukas et al. 124/73
 5,634,456 A 6/1997 Perrone 124/76
 5,635,663 A 6/1997 Krieger et al. 89/142
 5,718,074 A 2/1998 Keeney 42/69.03
 D393,115 S 3/1998 Bell et al. D32/35
 5,727,538 A 3/1998 Ellis 124/77
 5,736,720 A 4/1998 Bell et al. 235/1
 5,755,213 A 5/1998 Gardner, Jr. et al. 124/73
 5,760,328 A 6/1998 Robbins 89/129.02
 5,799,434 A 9/1998 Krieger et al. 42/69.03
 5,816,232 A 10/1998 Bell 124/51.1
 5,868,637 A 2/1999 Poxon 473/469
 5,878,736 A 3/1999 Lotuaco, III 124/71
 5,881,707 A 3/1999 Gardner, Jr. 124/77
 5,890,479 A 4/1999 Morin 124/31
 5,913,303 A 6/1999 Kotsiopoulos 124/31
 5,957,119 A 9/1999 Perry et al. 124/73
 5,967,133 A 10/1999 Gardner, Jr. 124/77
 6,003,504 A 12/1999 Rice et al. 124/73
 6,015,058 A 1/2000 Parks 220/229
 6,035,843 A 3/2000 Smith et al. 124/77
 6,048,280 A 4/2000 Palmer et al. 473/416
 6,055,975 A 5/2000 Gallagher et al. 124/50
 6,065,460 A 5/2000 Lotuaco, III 124/72
 6,138,656 A 10/2000 Rice et al. 124/73
 6,142,137 A 11/2000 MacLaughlin 124/72
 6,212,812 B1 4/2001 Aigner 42/70.06
 D441,410 S * 5/2001 Fernandez et al. D21/574
 6,223,460 B1 5/2001 Schmitter et al. 42/70.06
 6,233,928 B1 * 5/2001 Scott 60/407
 D443,903 S * 6/2001 Wang D21/574

6,256,917 B1 7/2001 Findlay 42/70.06
 6,260,821 B1 7/2001 Perry et al. 251/314
 6,311,682 B1 11/2001 Rice et al. 124/71
 D451,977 S * 12/2001 Urbano D21/572
 6,349,711 B1 2/2002 Perry et al. 124/73
 D454,685 S 3/2002 Parks et al. D3/254
 6,382,200 B1 5/2002 Levkov 124/73
 D458,333 S 6/2002 Power D22/108
 D460,502 S 7/2002 Traum et al. D21/573
 6,439,217 B1 8/2002 Shih 124/77
 6,474,325 B2 11/2002 Rice et al. 124/71
 6,474,326 B1 11/2002 Smith et al. 124/77
 6,494,194 B2 12/2002 Shipachev et al. 124/73
 6,494,195 B2 12/2002 Perry et al. 124/84
 6,532,949 B1 3/2003 McKendrick 124/77
 D473,910 S 4/2003 Rice et al. D22/108
 6,550,468 B1 4/2003 Tippmann, Jr. 124/71
 6,553,983 B1 4/2003 Li 124/73
 6,578,566 B2 6/2003 Hernandez 124/73
 6,590,386 B1 7/2003 Williams 324/178
 6,615,814 B1 9/2003 Rice et al. 124/71
 6,618,975 B1 * 9/2003 Shih 42/75.03
 6,626,165 B1 * 9/2003 Bhogal 124/77
 6,629,379 B1 10/2003 Doiron 42/70.11
 6,637,420 B2 10/2003 Moritz 124/73
 6,637,421 B2 10/2003 Smith et al. 124/77
 D482,743 S * 11/2003 Chang D21/573
 6,644,295 B2 11/2003 Jones 124/77
 6,644,296 B2 11/2003 Gardner, Jr. 124/77
 6,658,982 B2 12/2003 Cherry 89/1.42
 D484,926 S 1/2004 Rice et al. D21/573
 6,694,963 B1 2/2004 Taylor 124/32
 6,705,036 B2 3/2004 Orr 42/69.01
 6,725,852 B1 4/2004 Yokota et al. 124/49
 6,729,497 B2 5/2004 Rice et al. 220/835
 6,739,322 B2 5/2004 Rice et al. 124/49
 6,748,938 B2 6/2004 Rice et al. 124/77
 6,763,822 B1 7/2004 Styles 124/77
 D496,556 S 9/2004 Skrocki et al. D7/391
 6,802,305 B1 10/2004 Hatcher 124/31
 6,802,306 B1 10/2004 Rice 124/74
 2003/0121927 A1 7/2003 Rice et al. 220/833
 2003/0131514 A1 7/2003 Rice et al. 42/69.01
 2003/0131834 A1 7/2003 Rice et al. 124/32
 2003/0154968 A1 8/2003 Rice et al. 124/71
 2003/0178018 A1 9/2003 Cherry 124/76
 2003/0221684 A1 12/2003 Rice 124/71
 2004/0011344 A1 1/2004 Rice et al. 124/73
 2004/0031836 A1 2/2004 Garcia 224/665
 2004/0074489 A1 4/2004 Neumaster et al. 124/79
 2004/0084040 A1 5/2004 Jones 124/77

* cited by examiner

FIG. 1

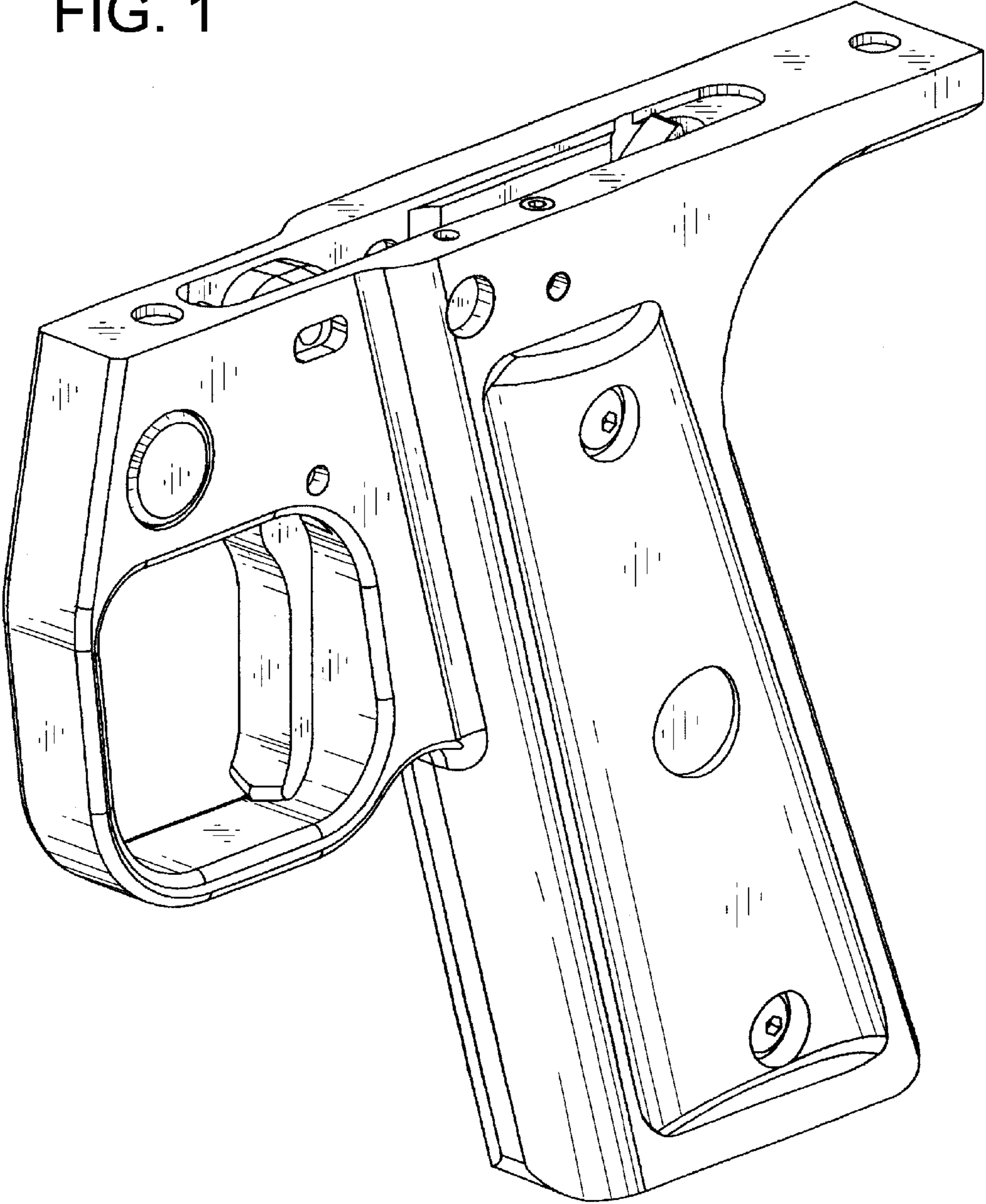


FIG. 2

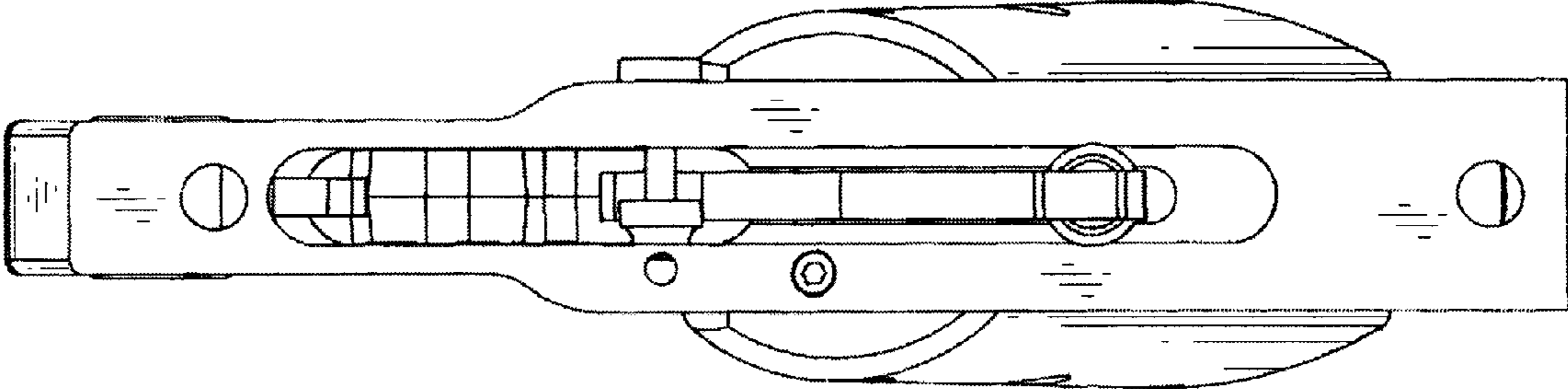


FIG. 3

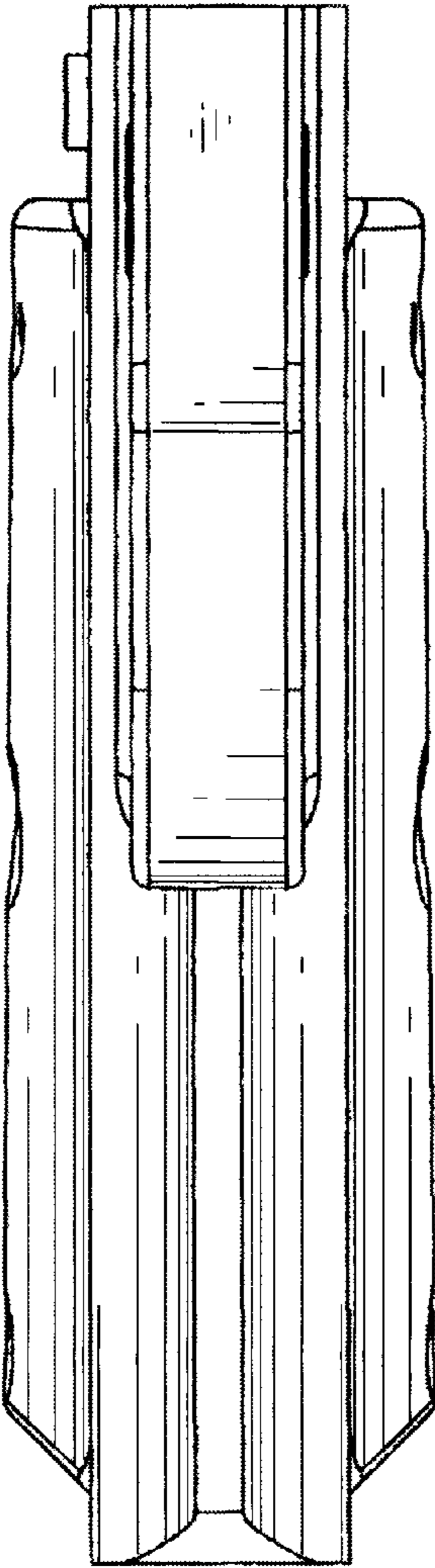


FIG. 4

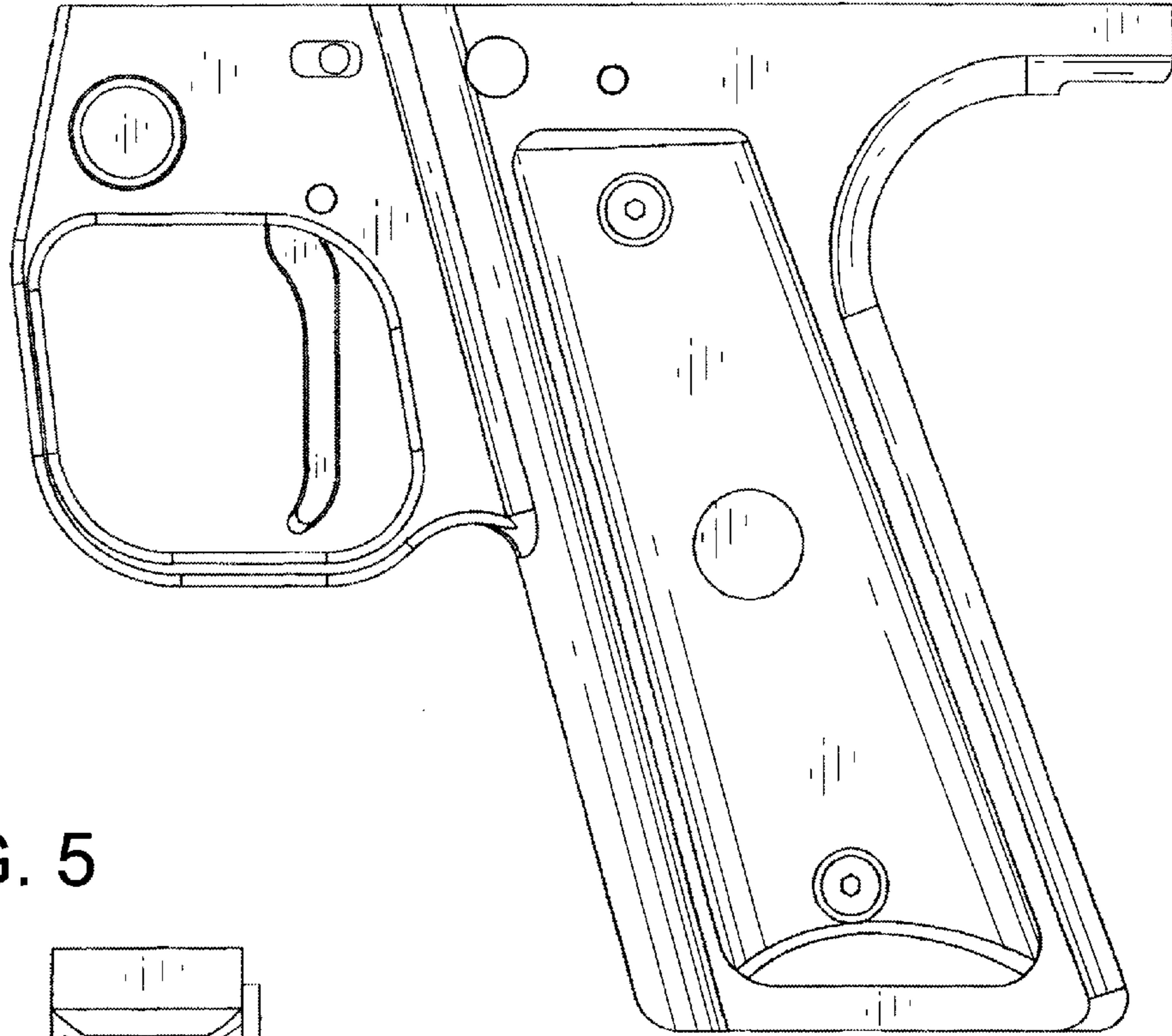


FIG. 5

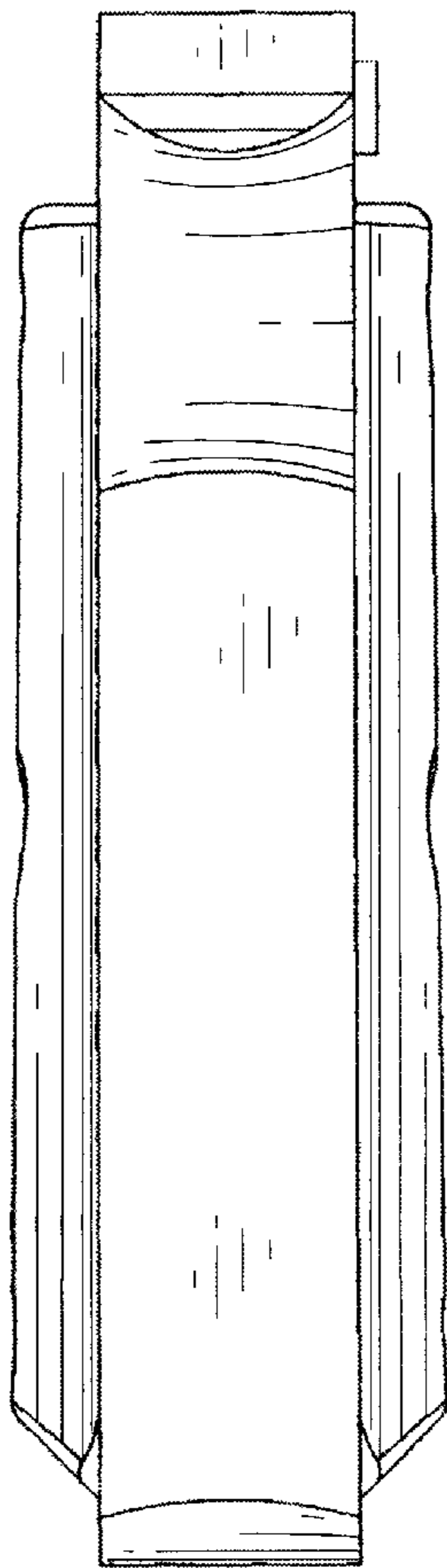


FIG. 6

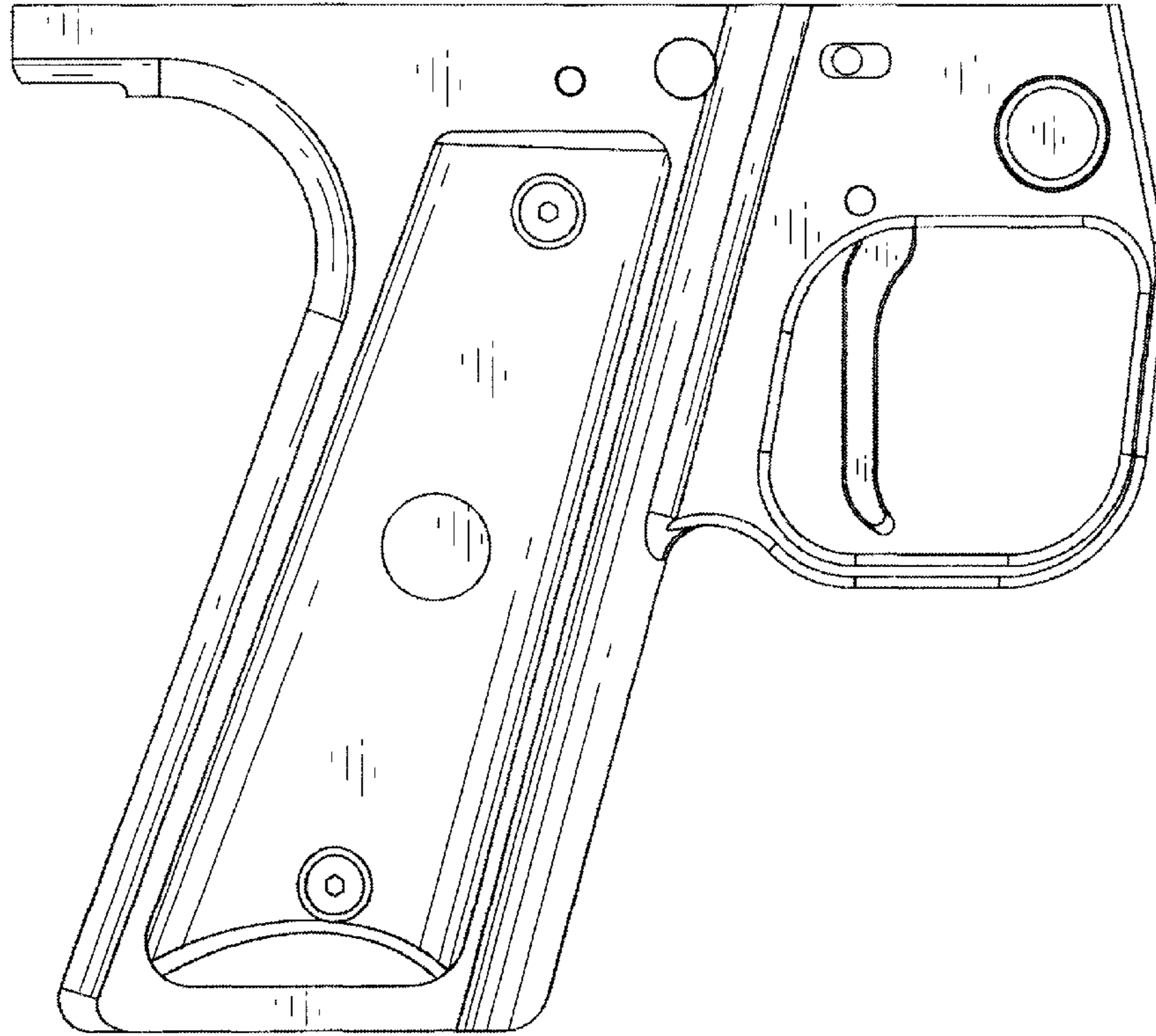


FIG. 7

