



US00D512107S

(12) **United States Design Patent**  
**Kanahele et al.**

(10) **Patent No.:** **US D512,107 S**

(45) **Date of Patent:** **\*\* Nov. 29, 2005**

(54) **ARM TOY**

(75) **Inventors:** **Gloria McCall Kanahele**, N. Palm Beach, FL (US); **Marcus C. Kanahele**, N. Palm Beach, FL (US)

(73) **Assignee:** **Arm Toy, LLC**, North Palm Beach, FL (US)

(\*\*) **Term:** **14 Years**

(21) **Appl. No.:** **29/208,266**

(22) **Filed:** **Jun. 25, 2004**

(51) **LOC (8) Cl.** ..... **21-01**

(52) **U.S. Cl.** ..... **D21/475; D21/468; D21/476**

(58) **Field of Search** ..... D21/398, 406, D21/407, 408, 420, 465, 467, 468, 475, 476, 481; 446/3, 26, 177, 227, 228, 236, 247, 266, 411, 431, 444, 450-453, 489, 491

(56) **References Cited**

**U.S. PATENT DOCUMENTS**

|             |   |         |          |       |         |
|-------------|---|---------|----------|-------|---------|
| 2,282,881 A | * | 5/1942  | Ostrow   | ..... | 446/227 |
| D142,020 S  | * | 8/1945  | Davidson | ..... | D21/468 |
| D144,582 S  | * | 4/1946  | Rassnick | ..... | D21/476 |
| D156,293 S  | * | 11/1949 | Tharler  | ..... | D21/476 |
| 3,850,429 A | * | 11/1974 | Clifford | ..... | 482/122 |

|                 |   |         |                 |       |         |
|-----------------|---|---------|-----------------|-------|---------|
| D236,904 S      | * | 9/1975  | Snyder          | ..... | D21/476 |
| D281,438 S      | * | 11/1985 | Wong            | ..... | D21/476 |
| 4,664,640 A     | * | 5/1987  | Shindo et al.   | ..... | 446/227 |
| D300,333 S      | * | 3/1989  | Thomson et al.  | ..... | D21/476 |
| 4,824,097 A     | * | 4/1989  | Axtell          | ..... | 472/70  |
| D302,189 S      | * | 7/1989  | Nakao et al.    | ..... | D21/476 |
| 5,676,622 A     | * | 10/1997 | McFarlane       | ..... | 482/45  |
| D441,036 S      | * | 4/2001  | Sala            | ..... | D21/476 |
| 6,592,425 B2    | * | 7/2003  | Bapst et al.    | ..... | 446/227 |
| D481,766 S      | * | 11/2003 | Kanahele et al. | ..... | D21/468 |
| 2004/0005839 A1 | * | 1/2004  | Oren et al.     | ..... | 446/227 |

\* cited by examiner

*Primary Examiner*—Catherine Tuttle

(74) *Attorney, Agent, or Firm*—McHale & Slavin, P.A.

(57) **CLAIM**

The ornamental design for an arm toy, as shown and described.

**DESCRIPTION**

FIG. 1 is a front view of the arm toy of the instant invention; FIG. 2 is a right side view thereof; FIG. 3 is a left side view thereof; FIG. 4 is a top plan view thereof; FIG. 5 is a bottom view thereof; and, FIG. 6 is a rear view thereof.

**1 Claim, 4 Drawing Sheets**

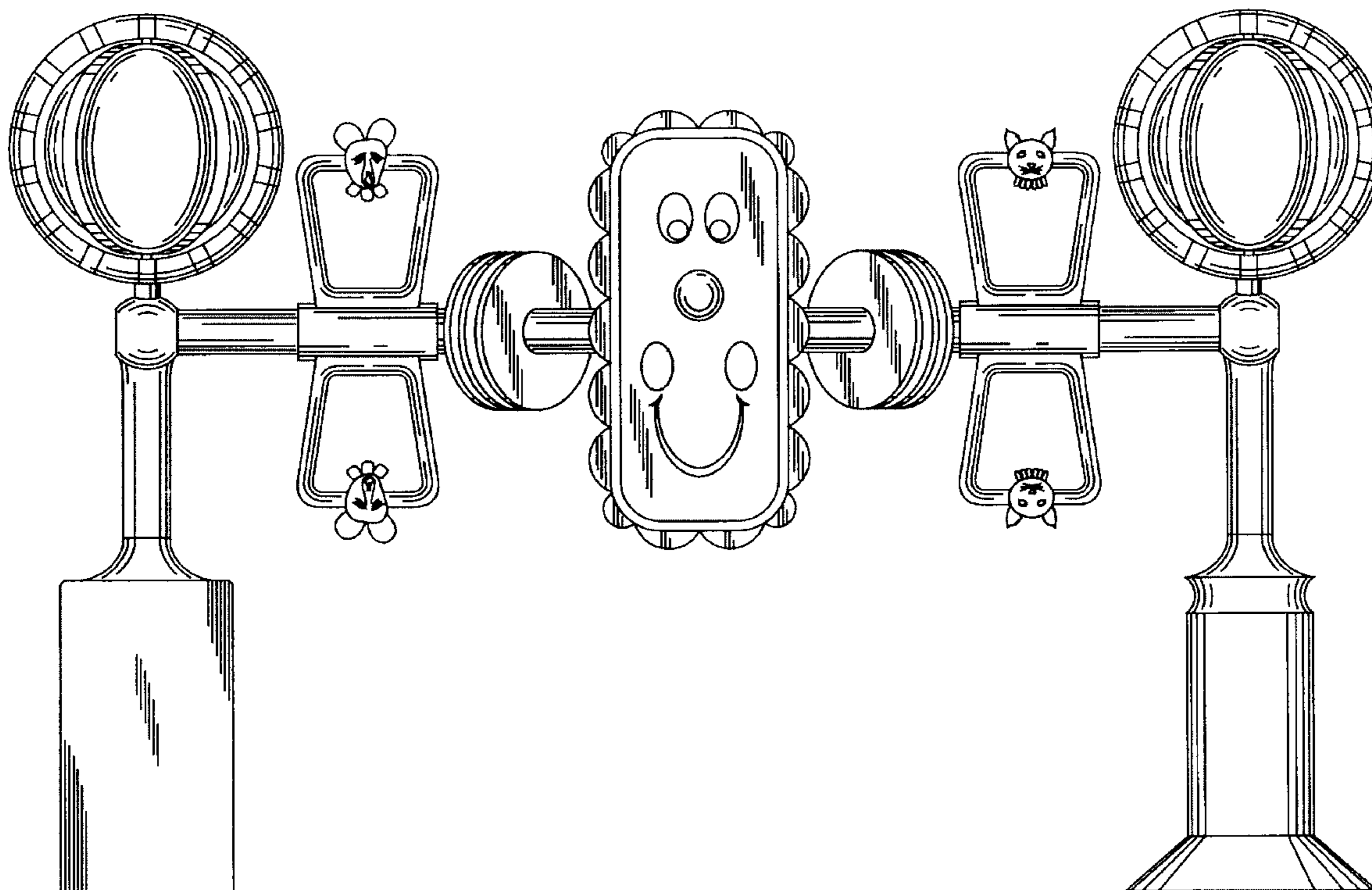


FIG. 1

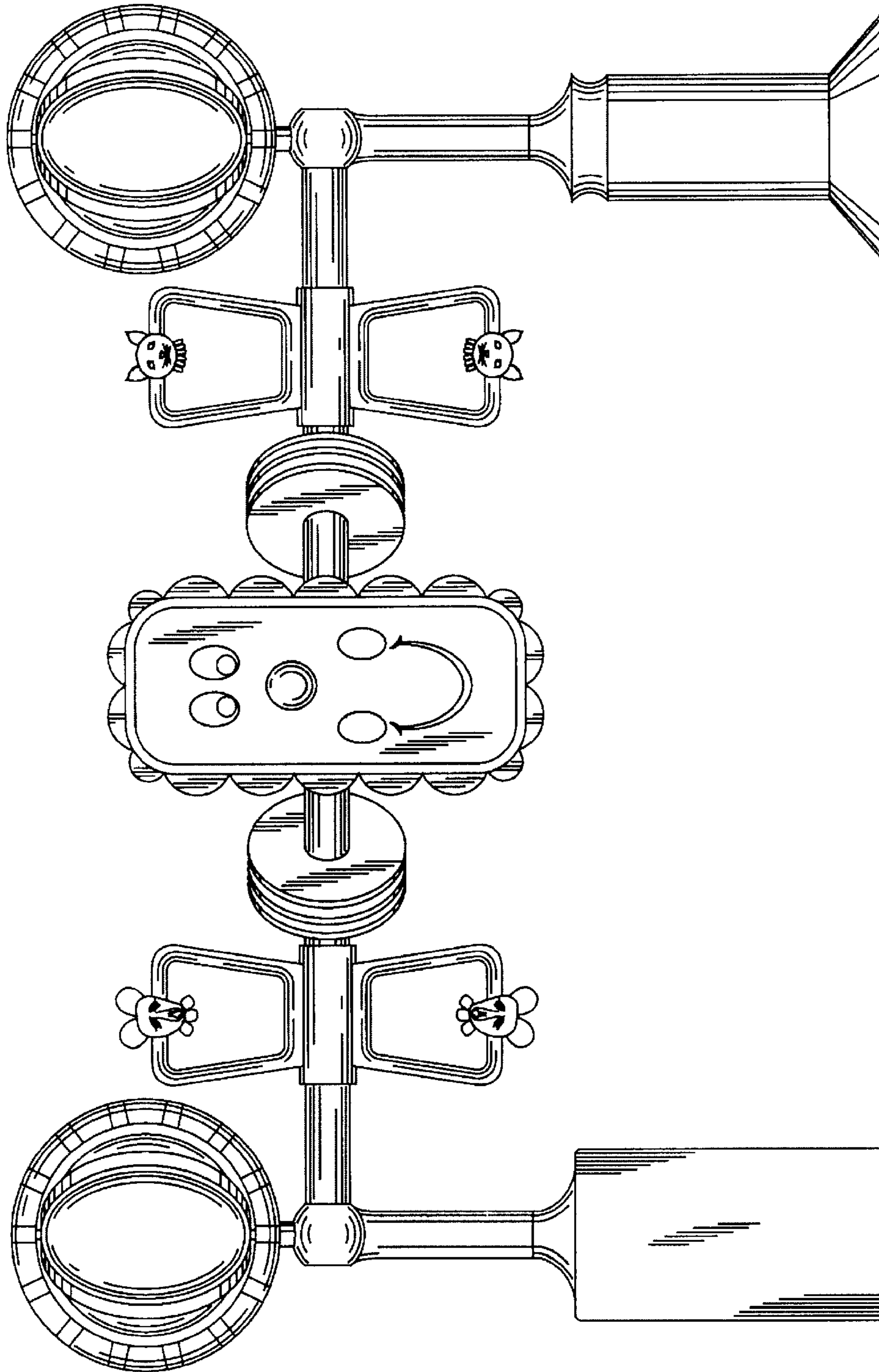


FIG. 3

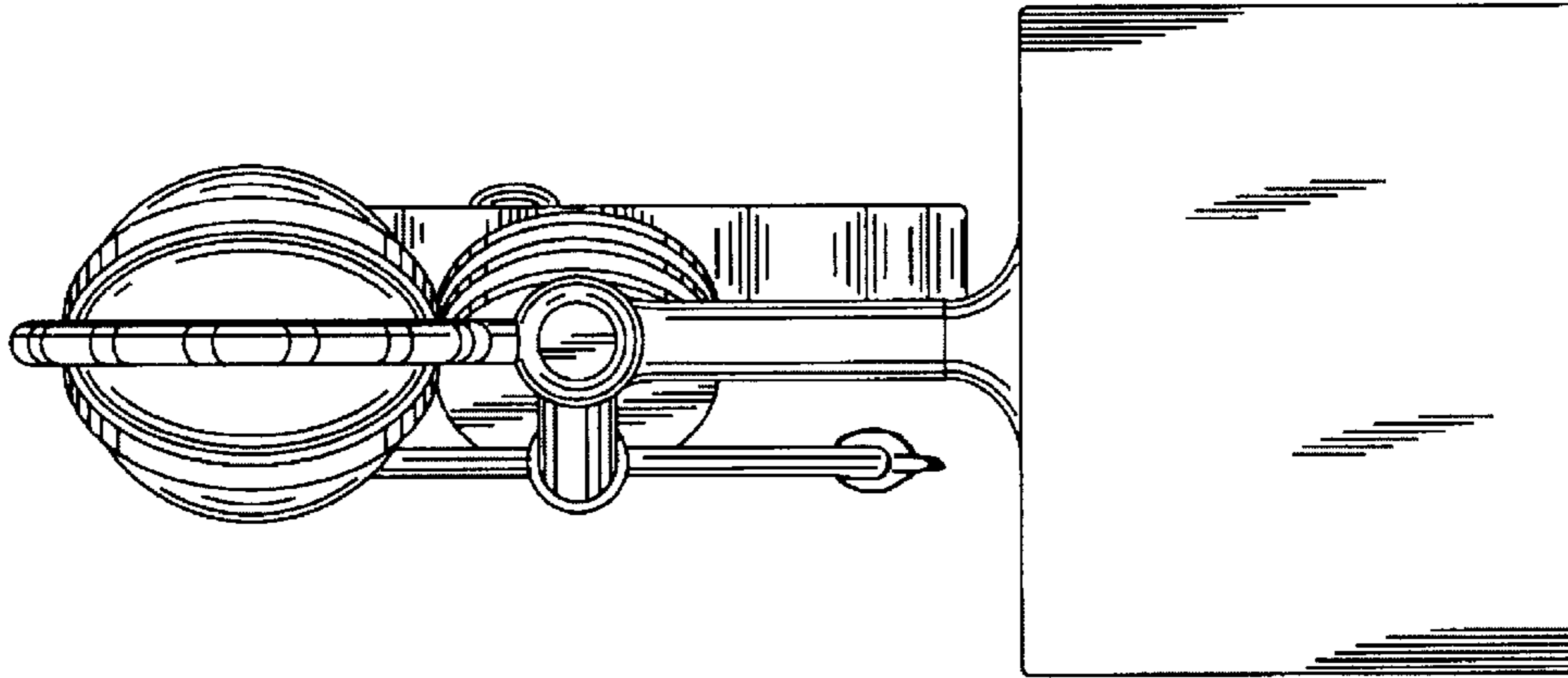


FIG. 2

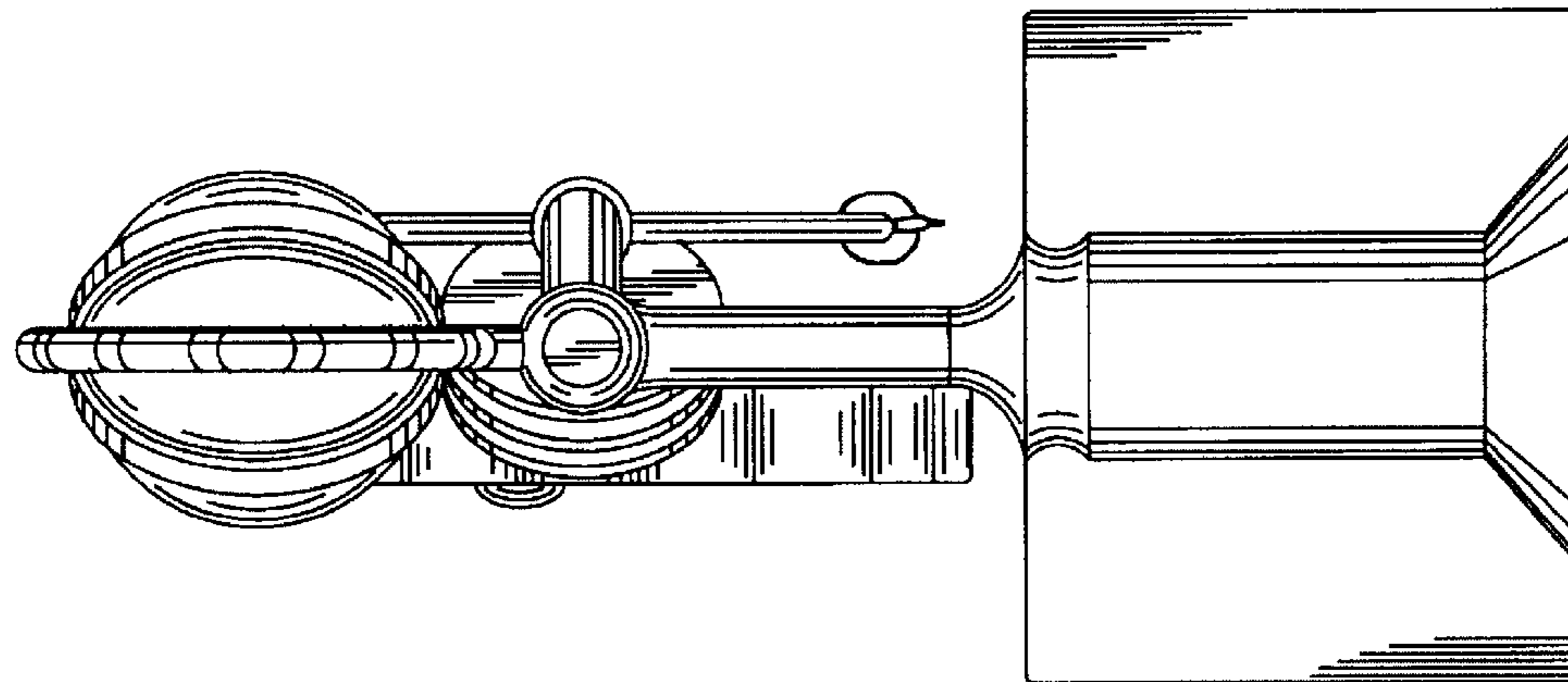


FIG. 4

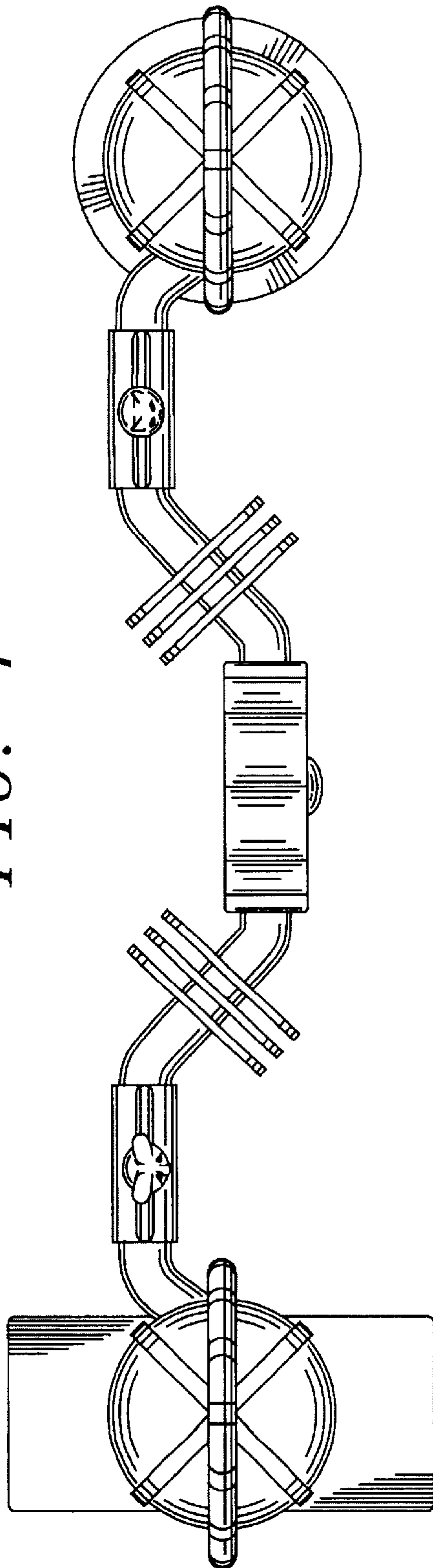


FIG. 5

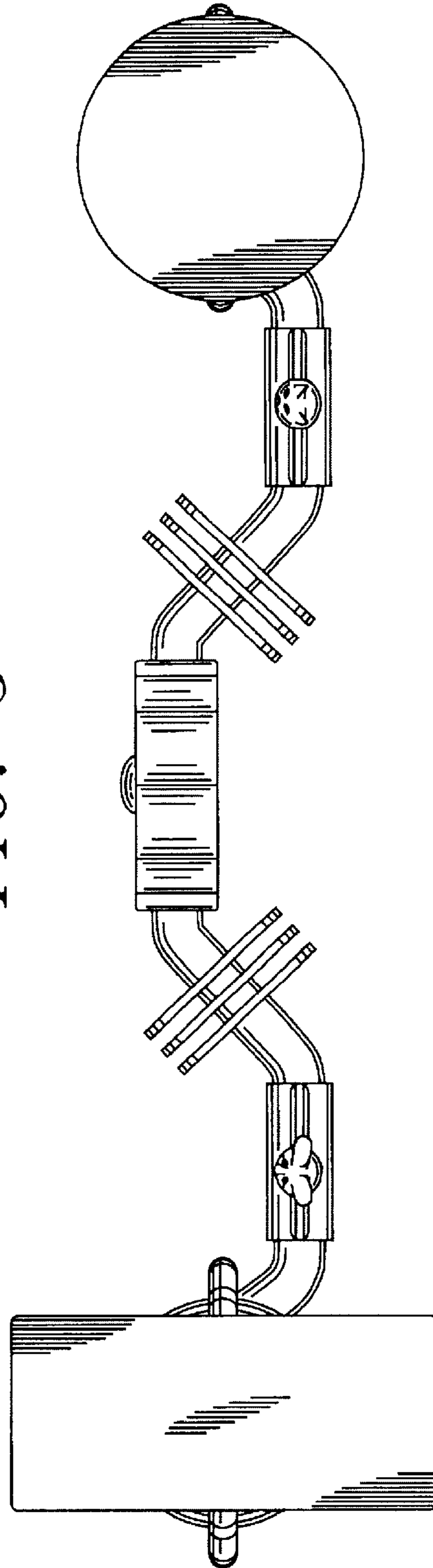


FIG. 6

