



US00D512104S

(12) **United States Design Patent**
Lowry

(10) **Patent No.:** **US D512,104 S**

(45) **Date of Patent:** **** Nov. 29, 2005**

(54) **ELECTRONIC SHELF LABEL ADAPTOR**

(75) **Inventor:** **Michael G. Lowry**, Boca Raton, FL
(US)

(73) **Assignee:** **Fast Industries, Ltd.**, Fort Lauderdale,
FL (US)

(**) **Term:** **14 Years**

(21) **Appl. No.:** **29/220,723**

(22) **Filed:** **Jan. 6, 2005**

(51) **LOC (8) Cl.** **20-03**

(52) **U.S. Cl.** **D20/44**

(58) **Field of Search** D6/410; D8/300,
D8/315, 316, 373; D20/10, 43, 44, 99;
40/316, 533, 603, 617, 642.01, 642.02,
649, 650, 653, 654.01, 661, 661.03, 661.05

(56) **References Cited**

U.S. PATENT DOCUMENTS

- D117,685 S * 11/1939 Bonnell D25/125
- D199,354 S * 10/1964 Beale D25/121
- D273,596 S * 4/1984 Waldecrantz D20/44
- 4,753,026 A * 6/1988 Woodman et al. 40/584

- D297,654 S * 9/1988 Orsos D20/44
- D398,029 S * 9/1998 Falls et al. D20/44
- 6,266,906 B1 * 7/2001 Nagel 40/661.03
- D504,160 S * 4/2005 Abramson D20/44

* cited by examiner

Primary Examiner—Robert M. Spear

(74) *Attorney, Agent, or Firm*—Jacobson Holman PLLC

(57) **CLAIM**

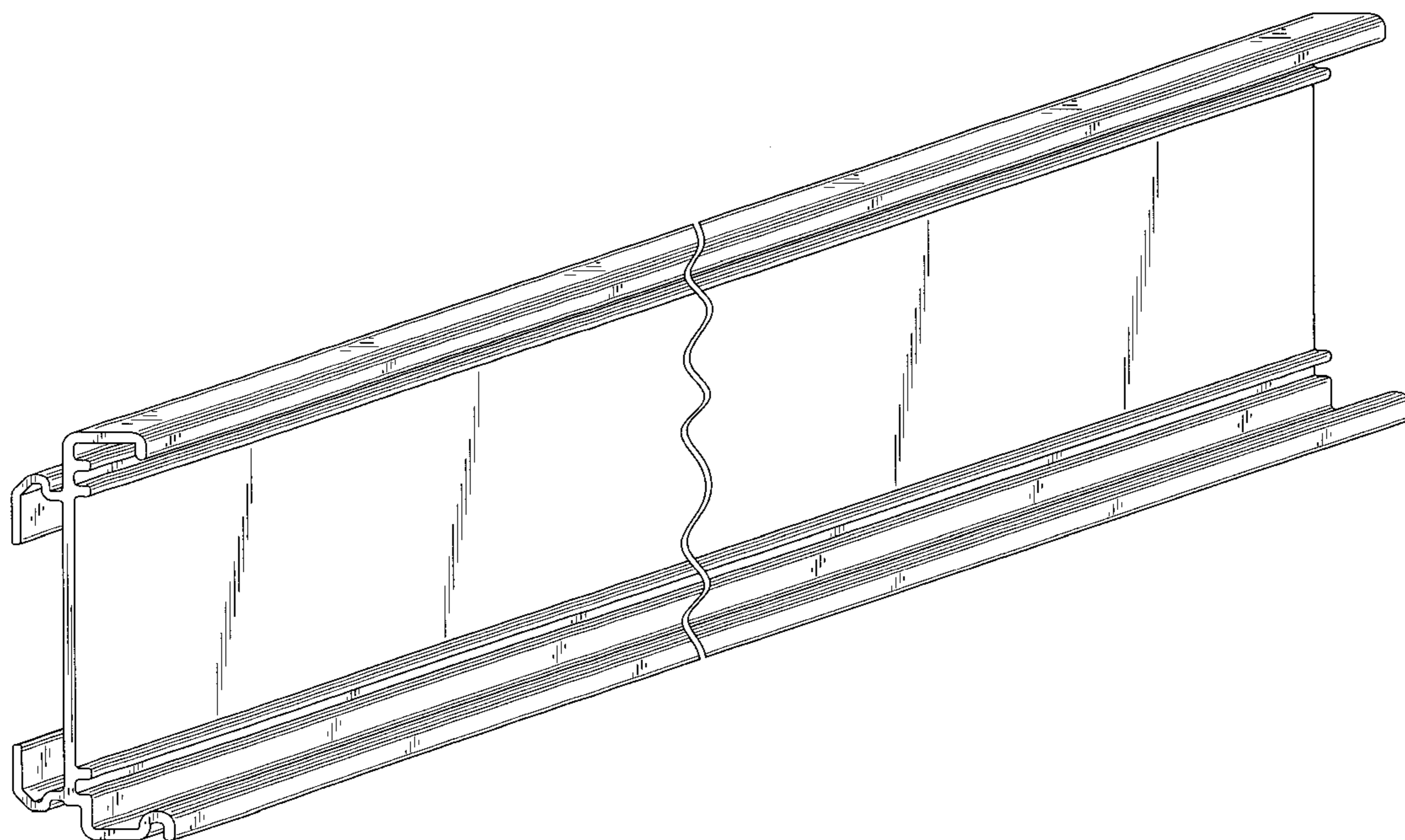
The ornamental design for a electronic shelf label adaptor, as shown and described.

DESCRIPTION

FIG. 1 is a front perspective view showing my new design for a electronic shelf label adaptor,
 FIG. 2 is a top view thereof;
 FIG. 3 is a bottom view thereof;
 FIG. 4 is a front view thereof;
 FIG. 5 is a rear view thereof;
 FIG. 6 is a left side view thereof; and,
 FIG. 7 is a right side view thereof.

In FIGS. 1–5, the electronic shelf label adaptor is shown broken away in the center to represent indeterminate length.

1 Claim, 4 Drawing Sheets



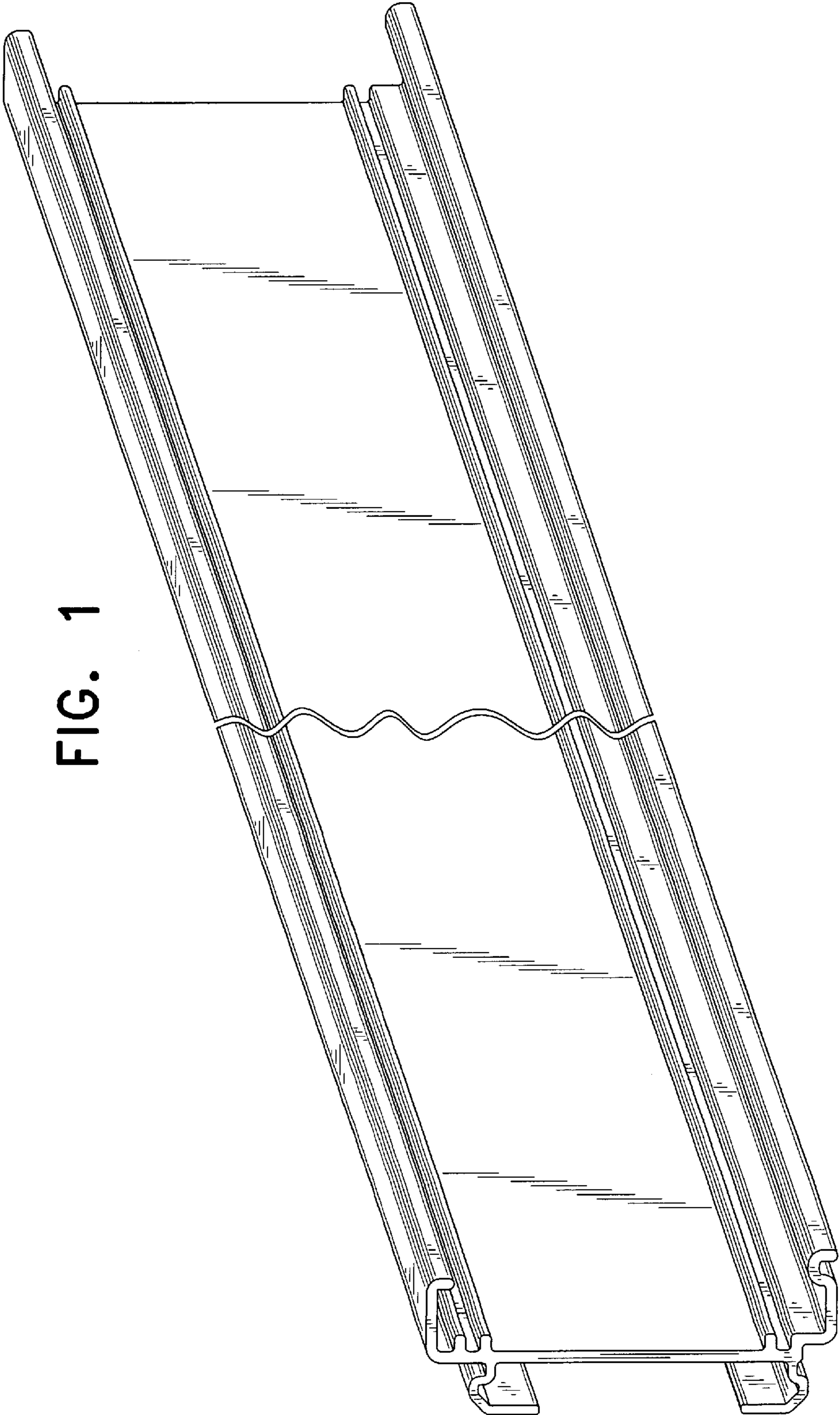


FIG. 1

FIG. 2

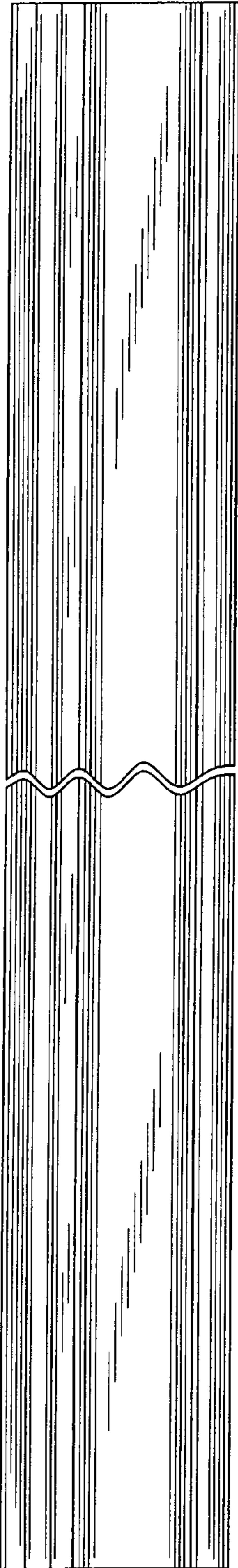


FIG. 3

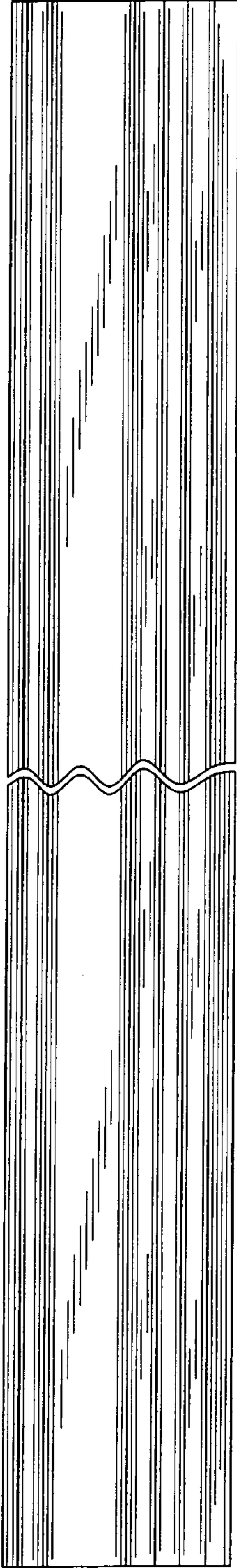


FIG. 4

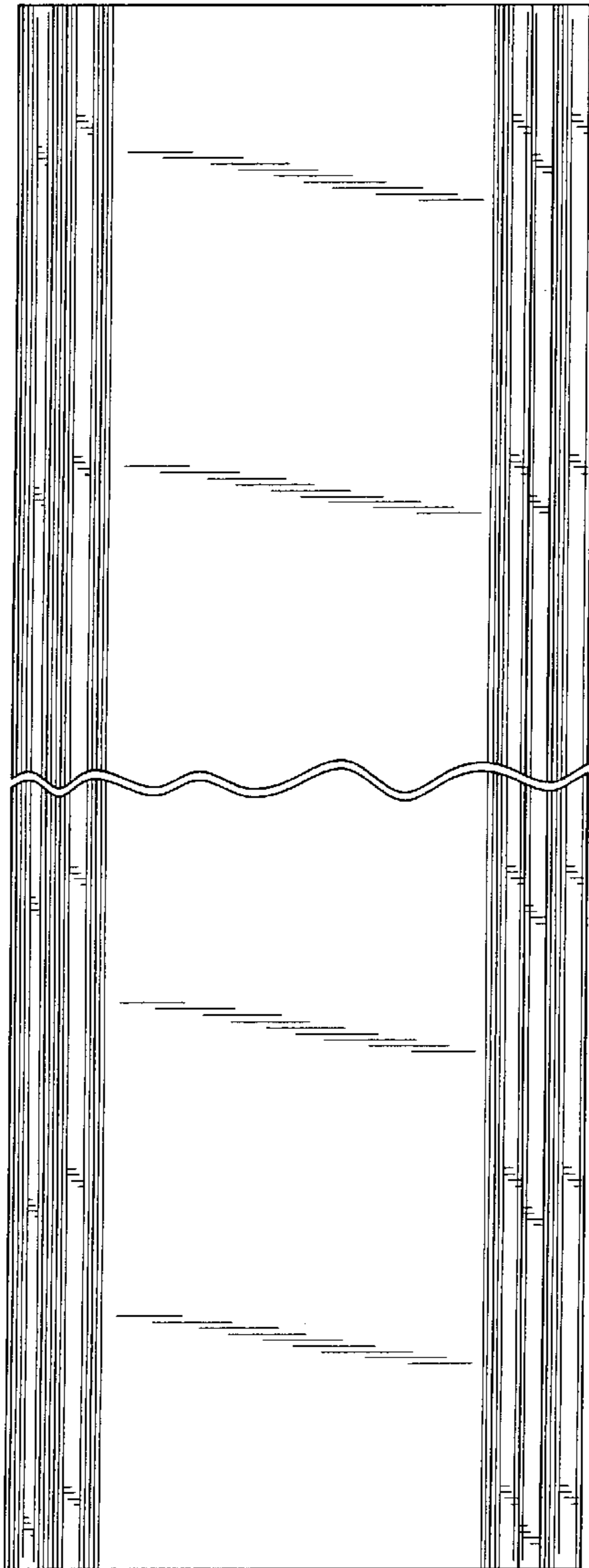


FIG. 5

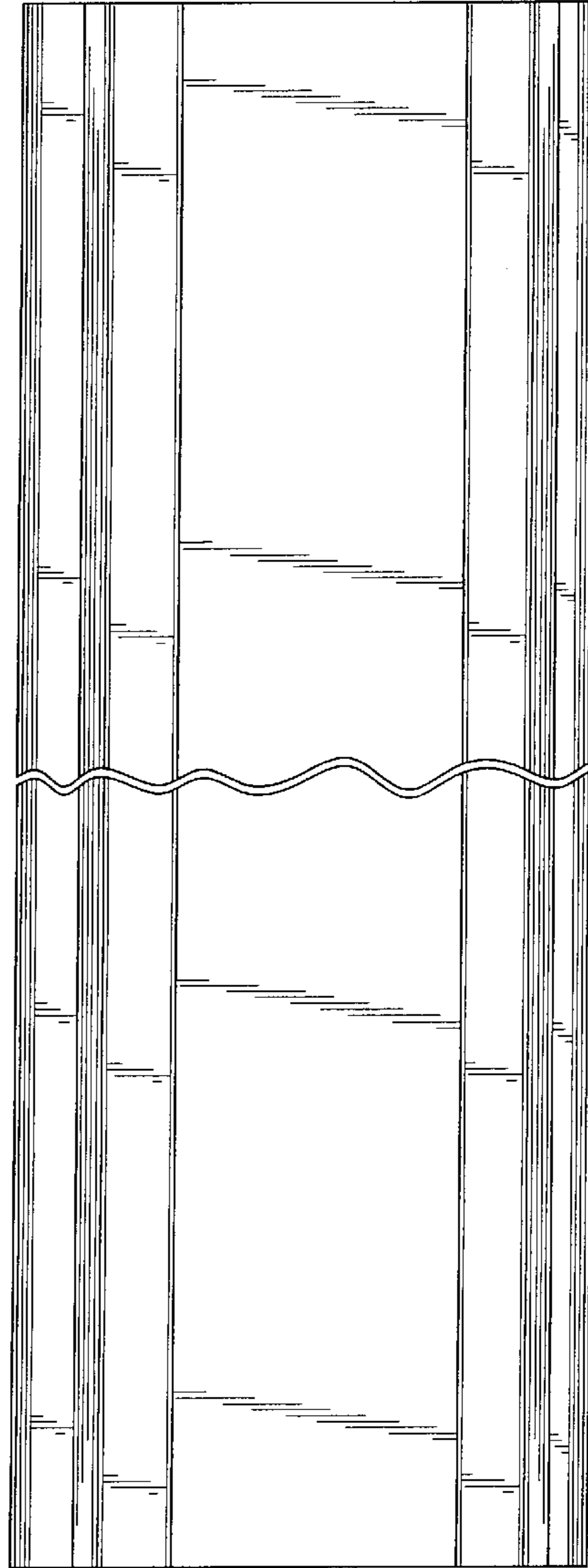


FIG. 6

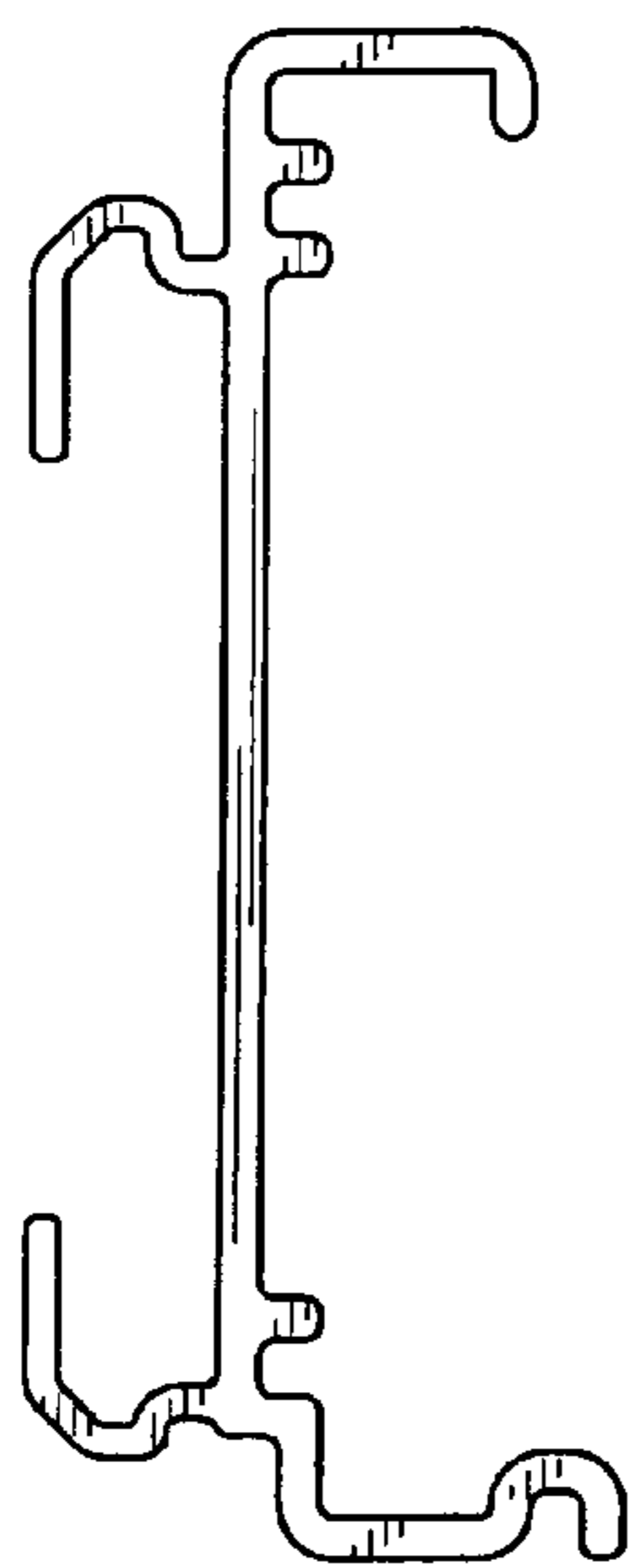


FIG. 7

