



US00D512102S

(12) **United States Design Patent** (10) **Patent No.:** **US D512,102 S**
DeCarlo et al. (45) **Date of Patent:** **** Nov. 29, 2005**

(54) **COLLAPSIBLE ORGANIZER**

(75) Inventors: **Anthony J. DeCarlo**, Bay Village, OH (US); **Daniel V. Perella**, Hudson, OH (US); **Vincent J. Thomson**, Avon Lake, OH (US)

(73) Assignee: **IdeaStream Consumer Products, LLP**, Parma, OH (US)

(**) Term: **14 Years**

(21) Appl. No.: **29/201,209**

(22) Filed: **Mar. 11, 2004**

(51) **LOC (8) Cl.** **19-02**

(52) **U.S. Cl.** **D19/90**

(58) **Field of Search** D9/432, 433; D19/75, D19/86, 87, 88, 90, 91, 99, 100; 206/214, 215, 425; 211/10, 11, 42, 88.01, 126.13, 126.16, 50, 72, 73; 220/62; 229/164

(56) **References Cited**

U.S. PATENT DOCUMENTS

2,792,981 A	*	5/1957	Grammer	206/425
D185,130 S	*	5/1959	Camilli	D19/78
D244,430 S	*	5/1977	Larkin	D9/432
D251,254 S	*	3/1979	Tiedemann	D19/90
D290,141 S	*	6/1987	Rabig	D19/90
4,974,733 A	*	12/1990	Evans	211/11
D330,047 S	*	10/1992	Evenson	D19/78
D439,279 S	*	3/2001	McColskey et al.	D19/90
D489,096 S	*	4/2004	Chen	D19/90
D497,184 S	*	10/2004	Bain	D19/75
D501,226 S	*	1/2005	DeCarlo et al.	D19/92
D502,509 S	*	3/2005	DeCarlo et al.	D19/75

* cited by examiner

Primary Examiner—Jeffrey Asch

Assistant Examiner—Elizabeth Albert

(74) *Attorney, Agent, or Firm*—Pillsbury Winthrop Shaw Pittman LLP

(57) **CLAIM**

The ornamental design for a collapsible organizer, as shown and described.

DESCRIPTION

FIG. 1 is a perspective view of a collapsible organizer showing our new design;

FIG. 2 is a front elevation view thereof;

FIG. 3 is a right side elevation view thereof, the left side elevation view being a mirror image of the right side elevation view;

FIG. 4 is a top plan view thereof;

FIG. 5 is a rear elevation view thereof;

FIG. 6 is a bottom plan view thereof;

FIG. 7 is a front elevation view of the removable drawer of the collapsible organizer;

FIG. 8 is a top plan view thereof;

FIG. 9 is a rear elevation view thereof;

FIG. 10 is a right side elevation view thereof; the left side elevation view being a mirror image of the right side elevation view;

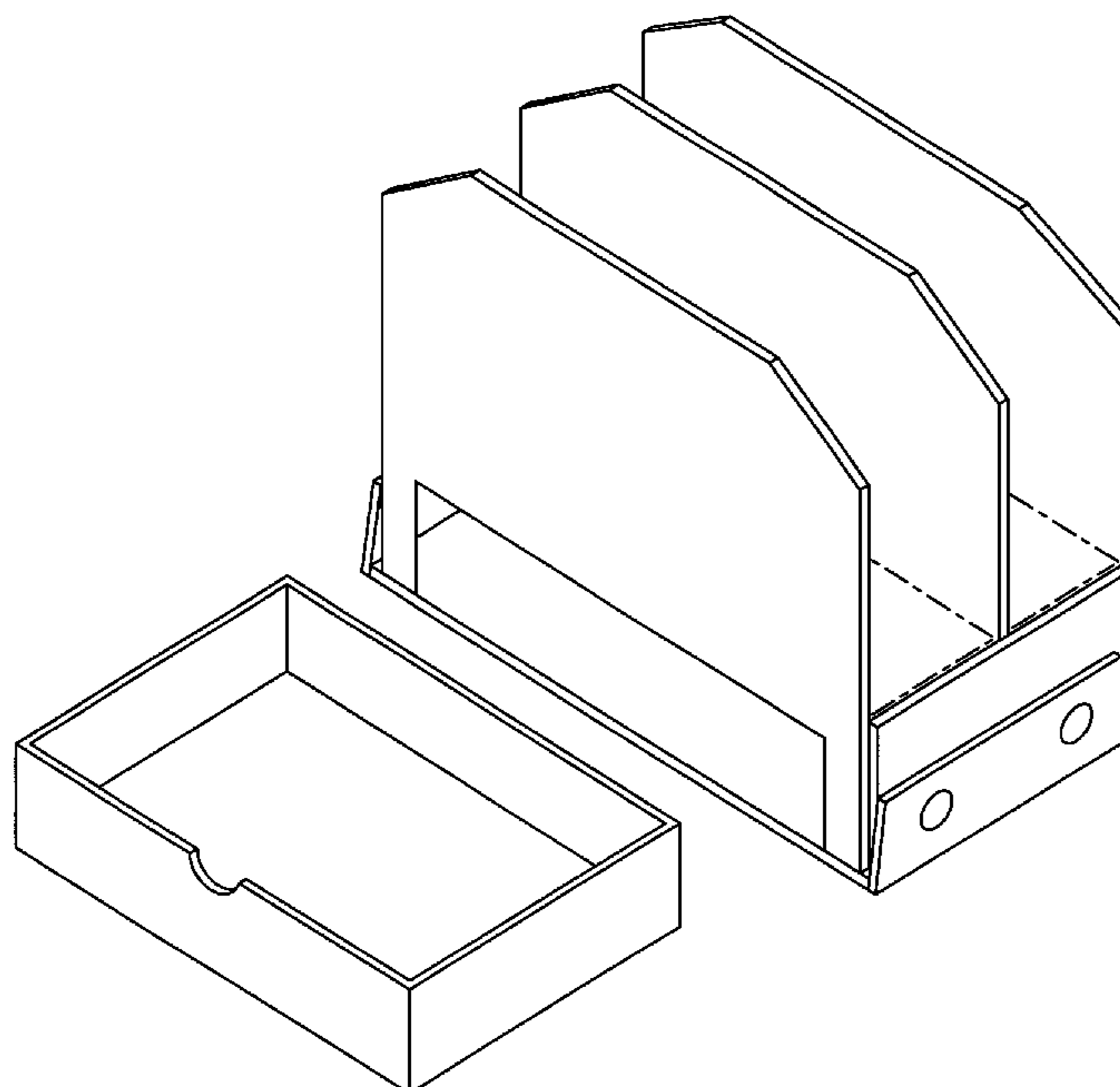
FIG. 11 is a bottom plan view thereof;

FIG. 12 is a top plan view of the collapsible organizer in a collapsed state; and,

FIG. 13 is an exploded perspective view of the collapsible organizer.

The broken lines shown in FIGS. 1 and 13 between the three vertical panels represent two detachable unclaimed inserts that provide a surface between the panels above the drawer. They are shown for information purposes only and form no part of the claimed design.

1 Claim, 7 Drawing Sheets



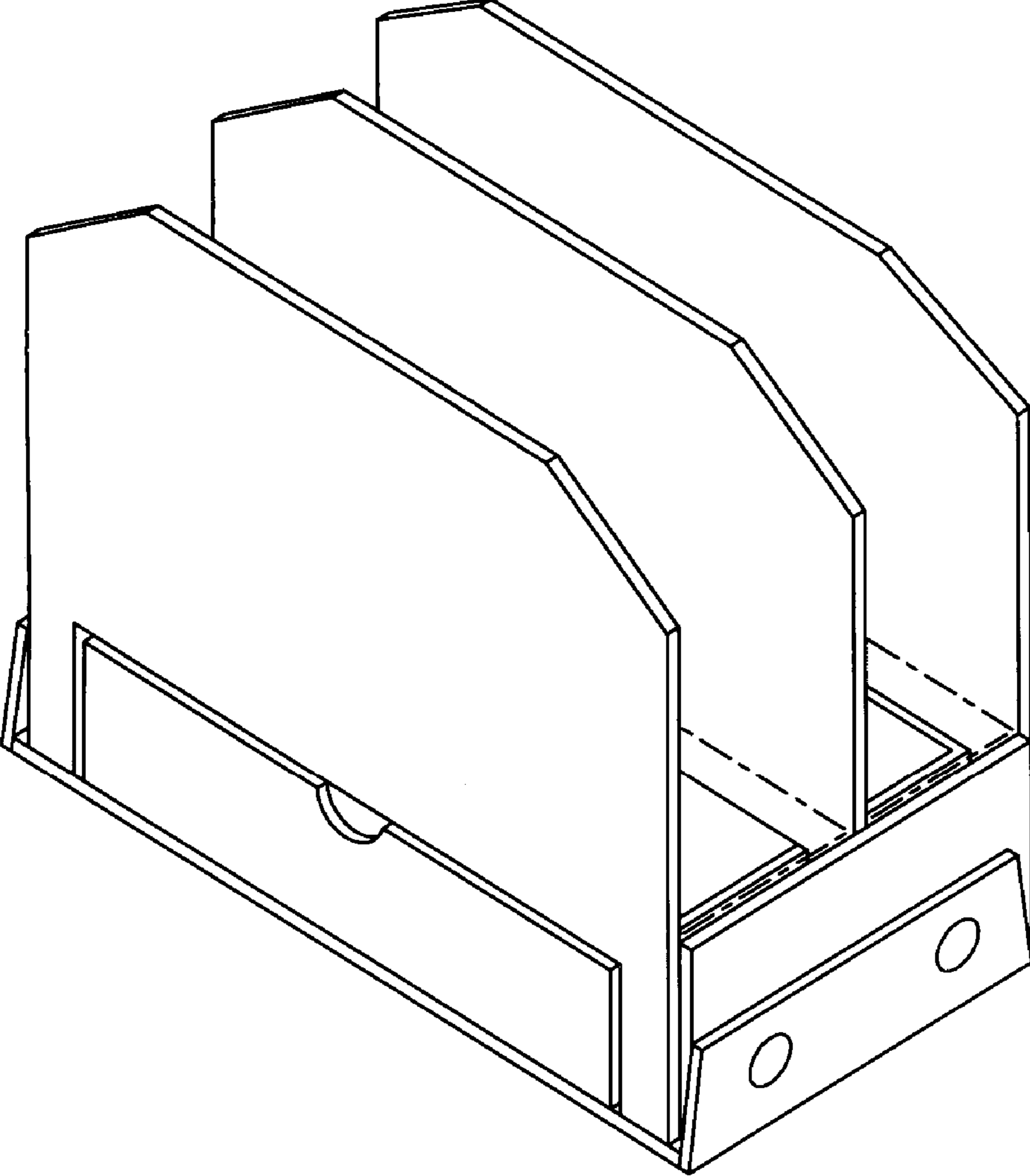


FIG. 1

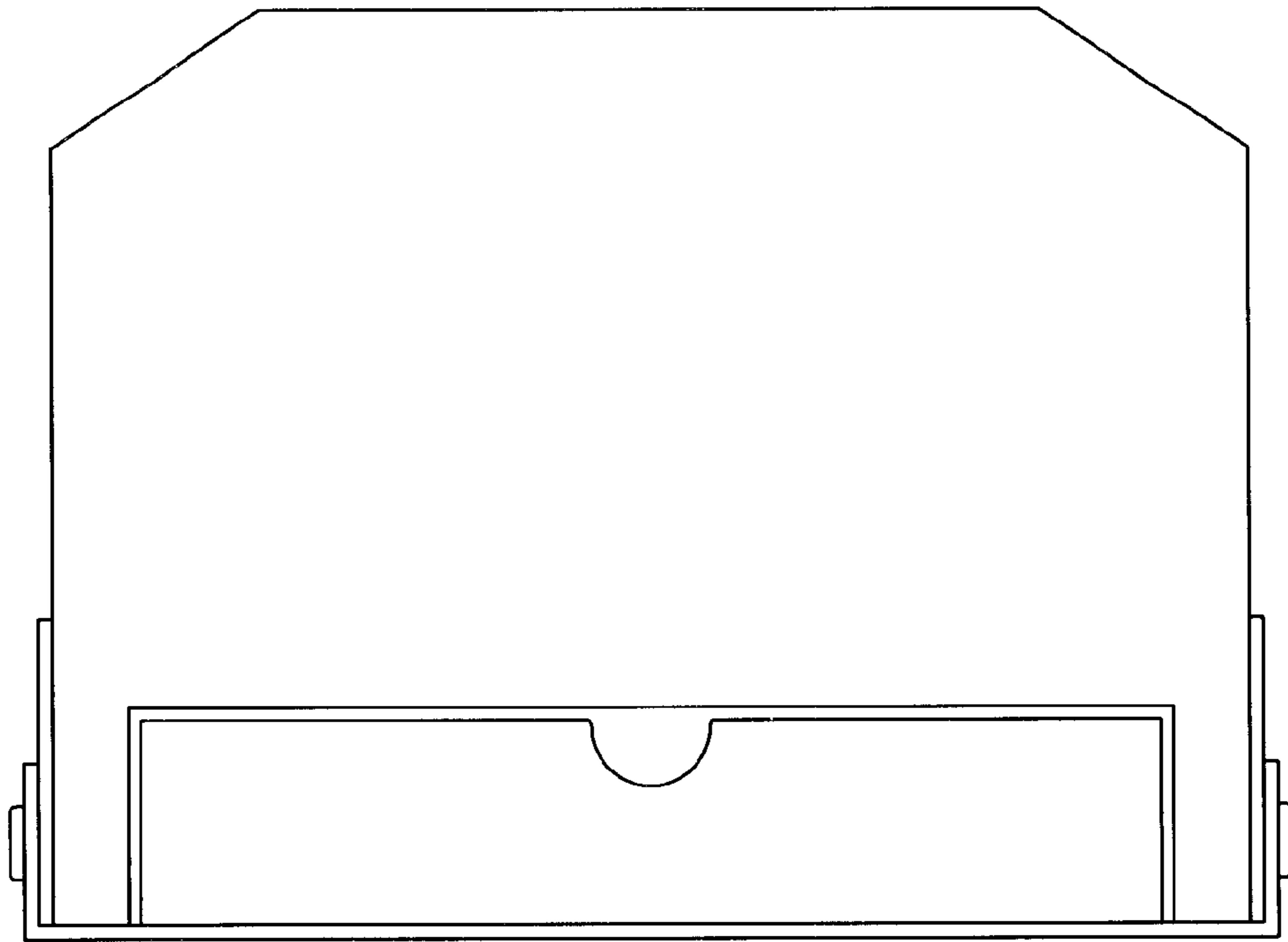


FIG. 2

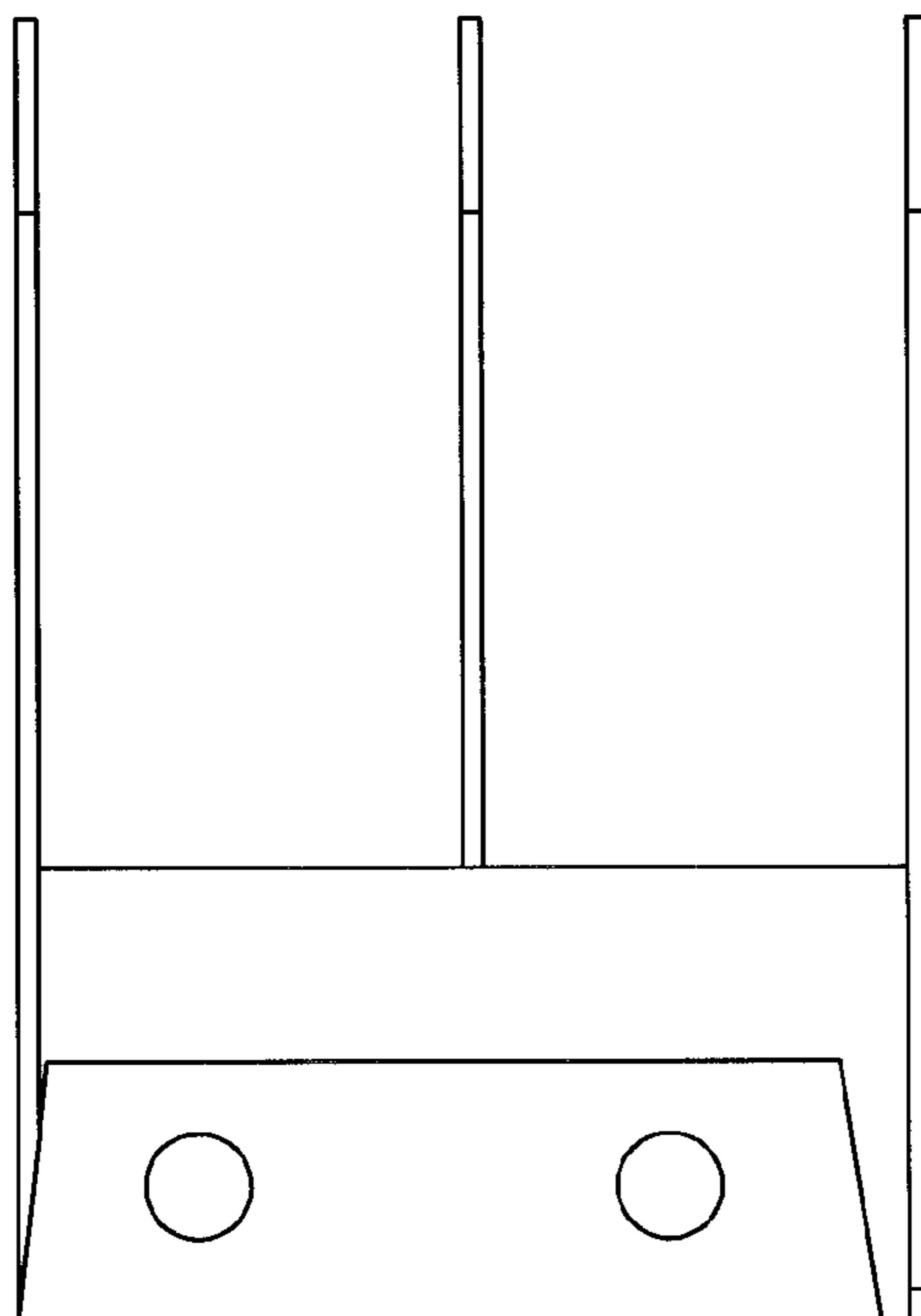


FIG. 3

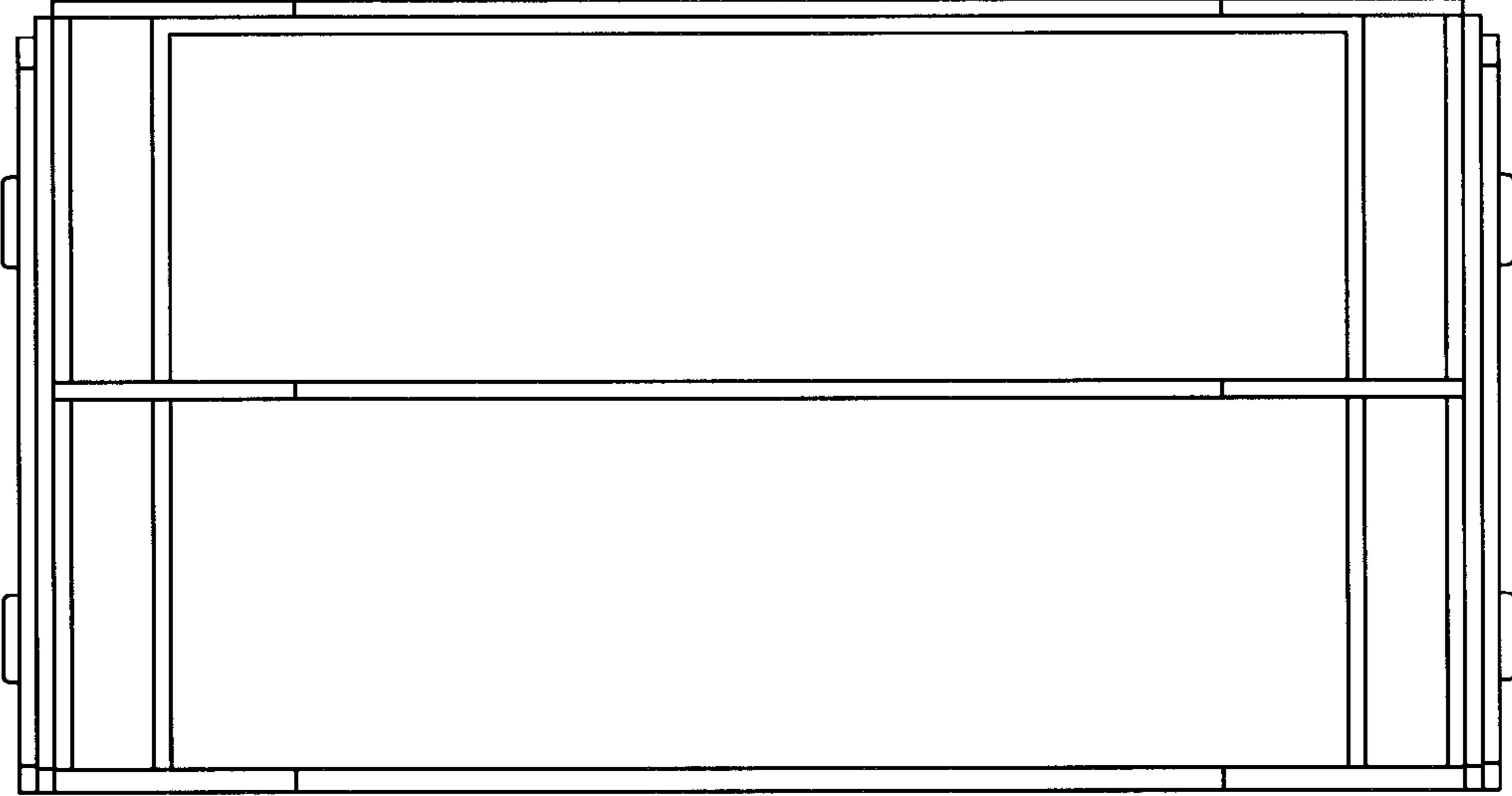


FIG. 4

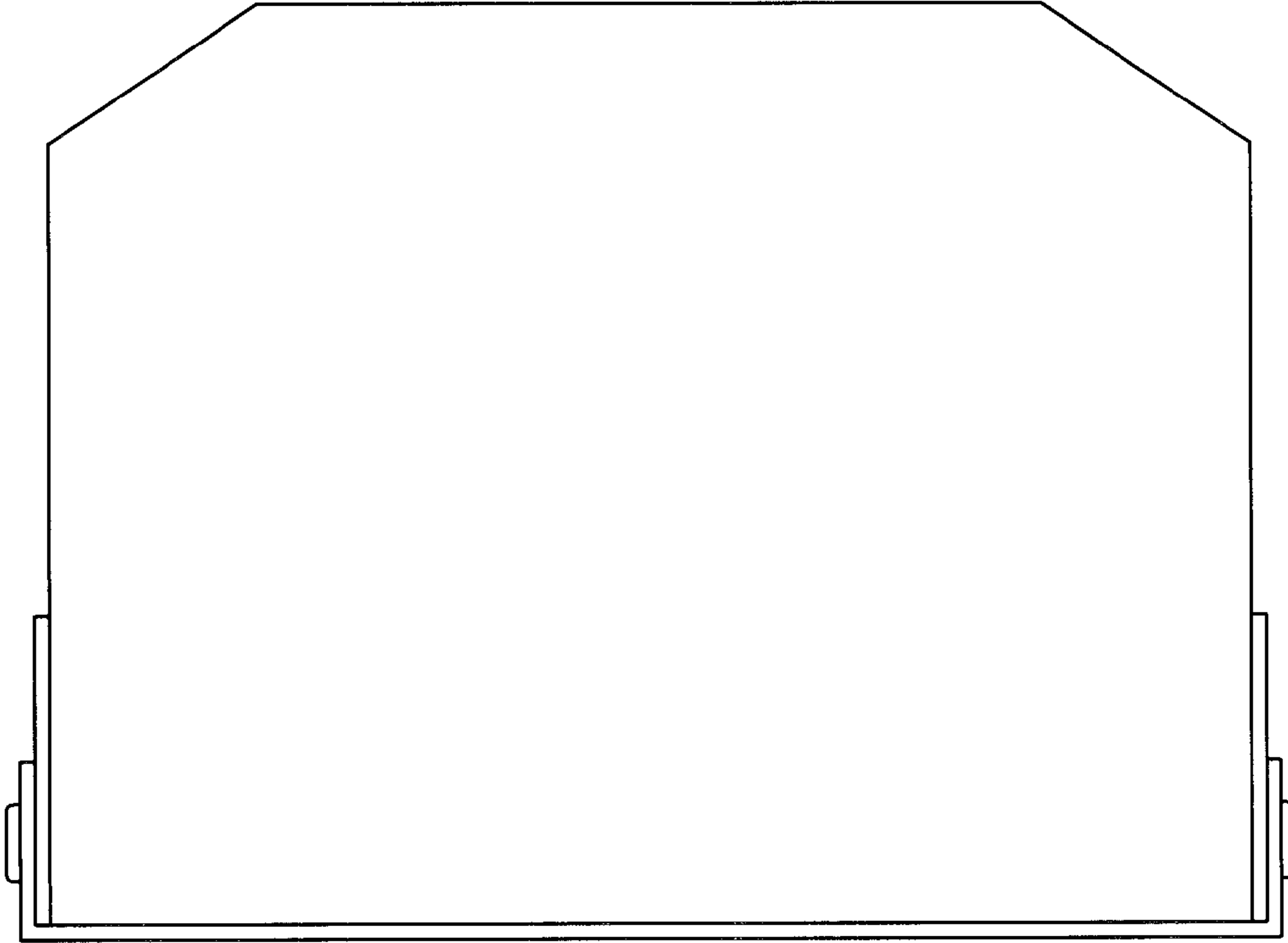


FIG. 5

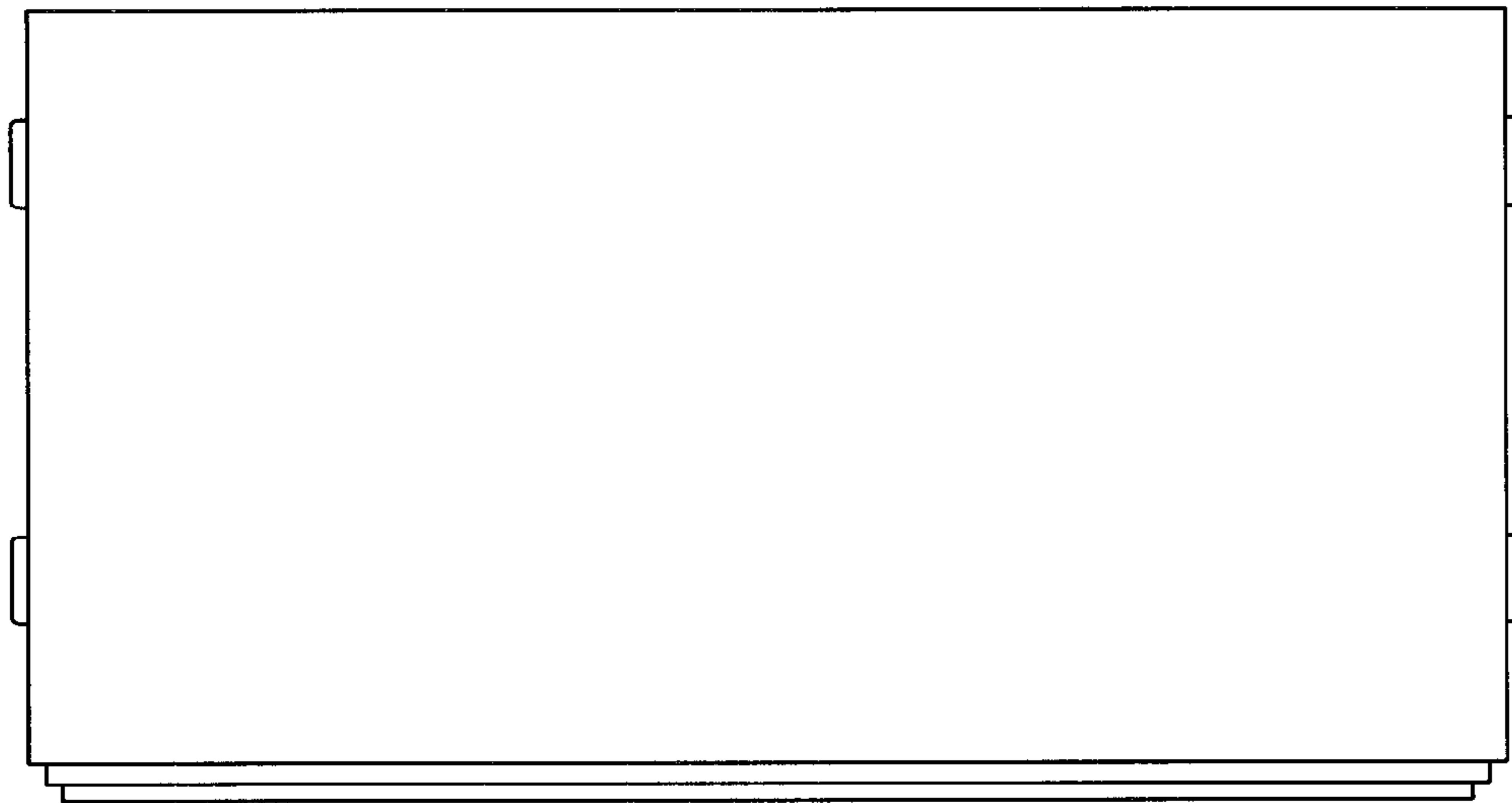


FIG. 6

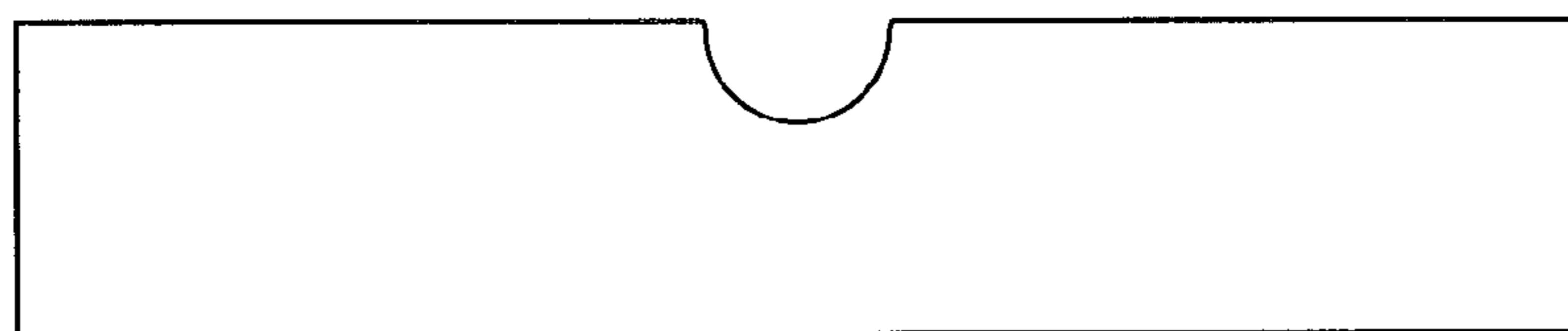


FIG. 7

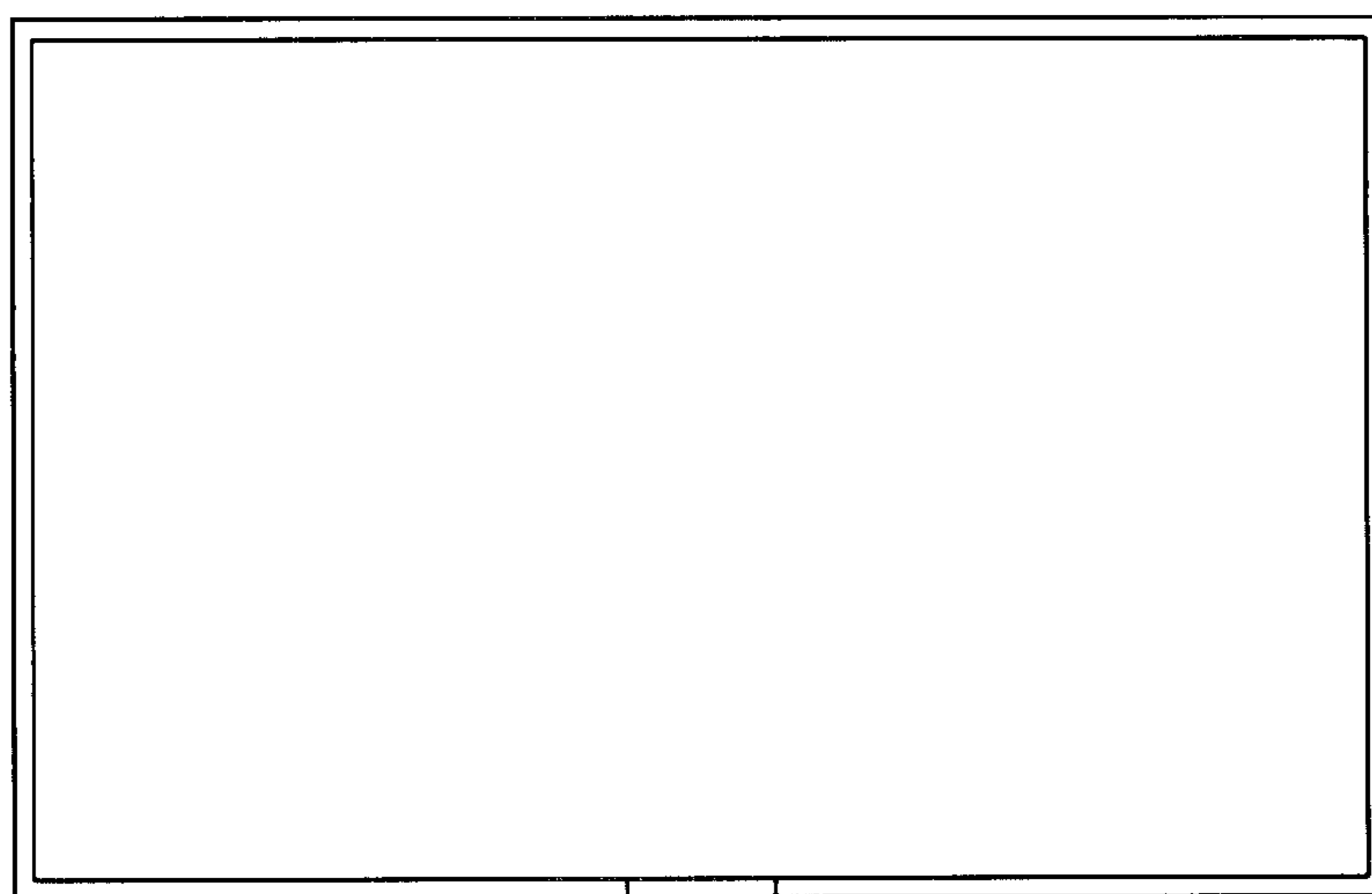


FIG. 8

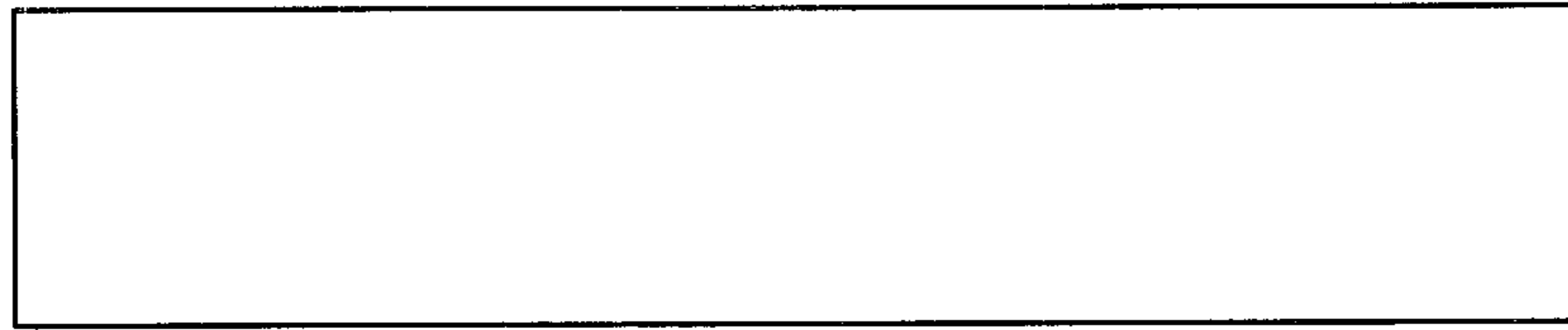


FIG. 9

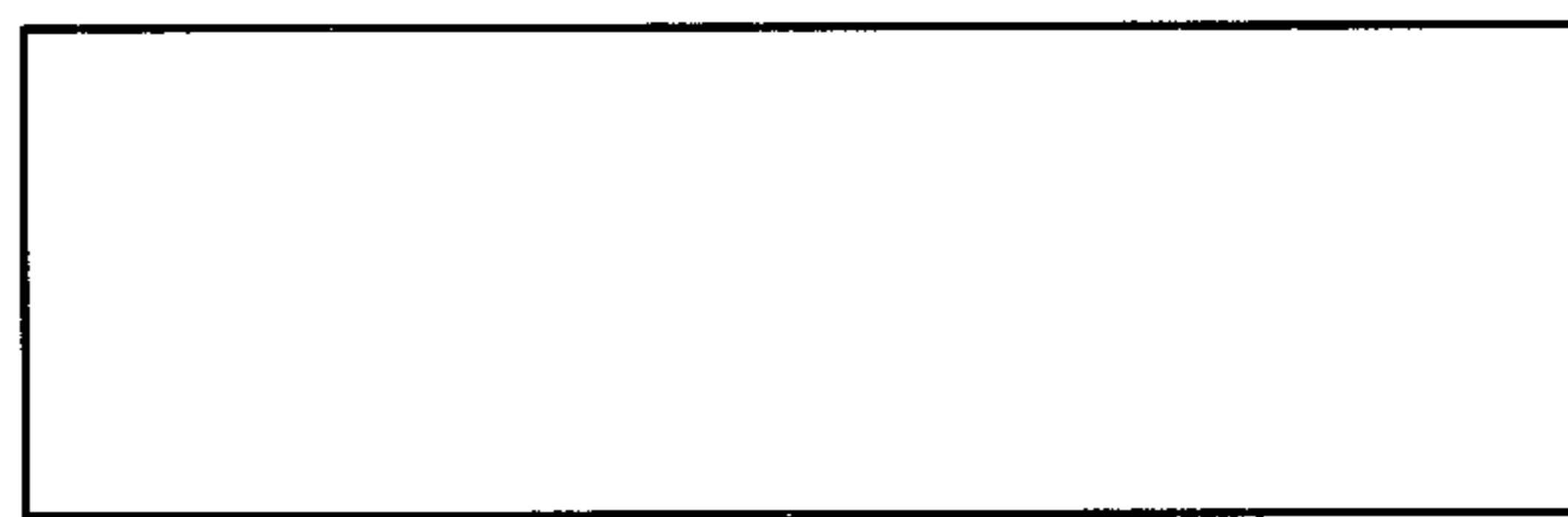


FIG. 10

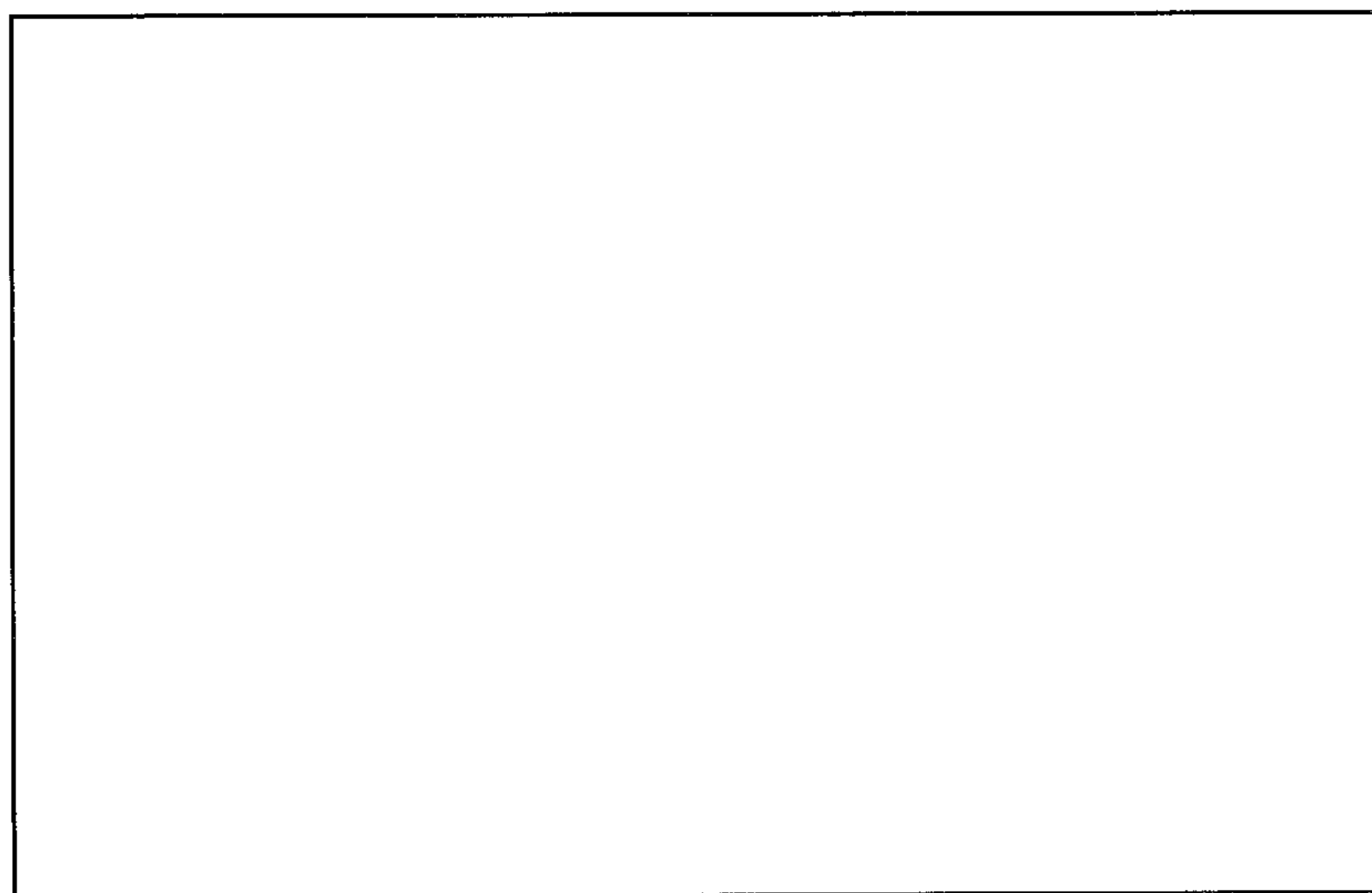


FIG. 11

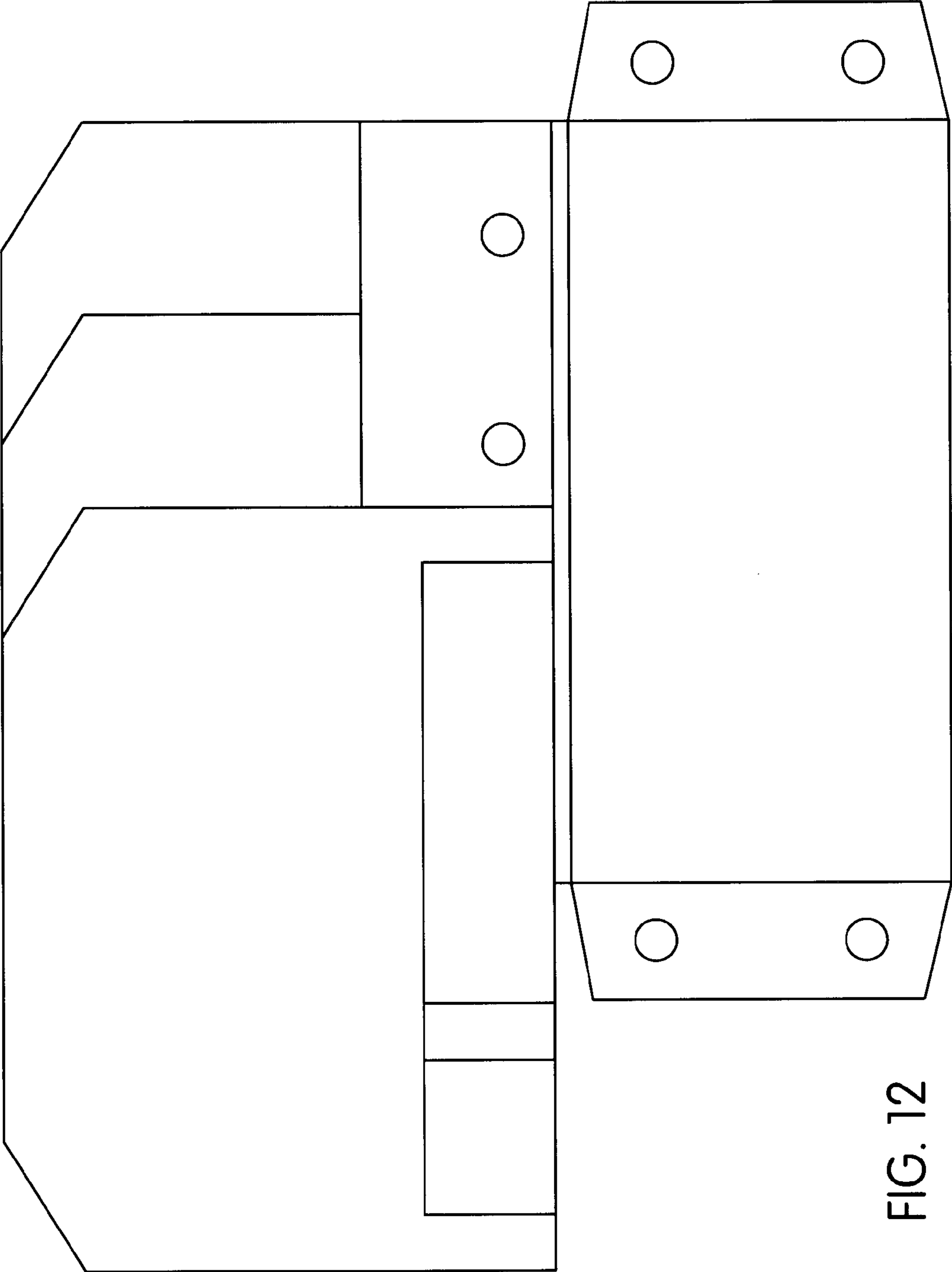
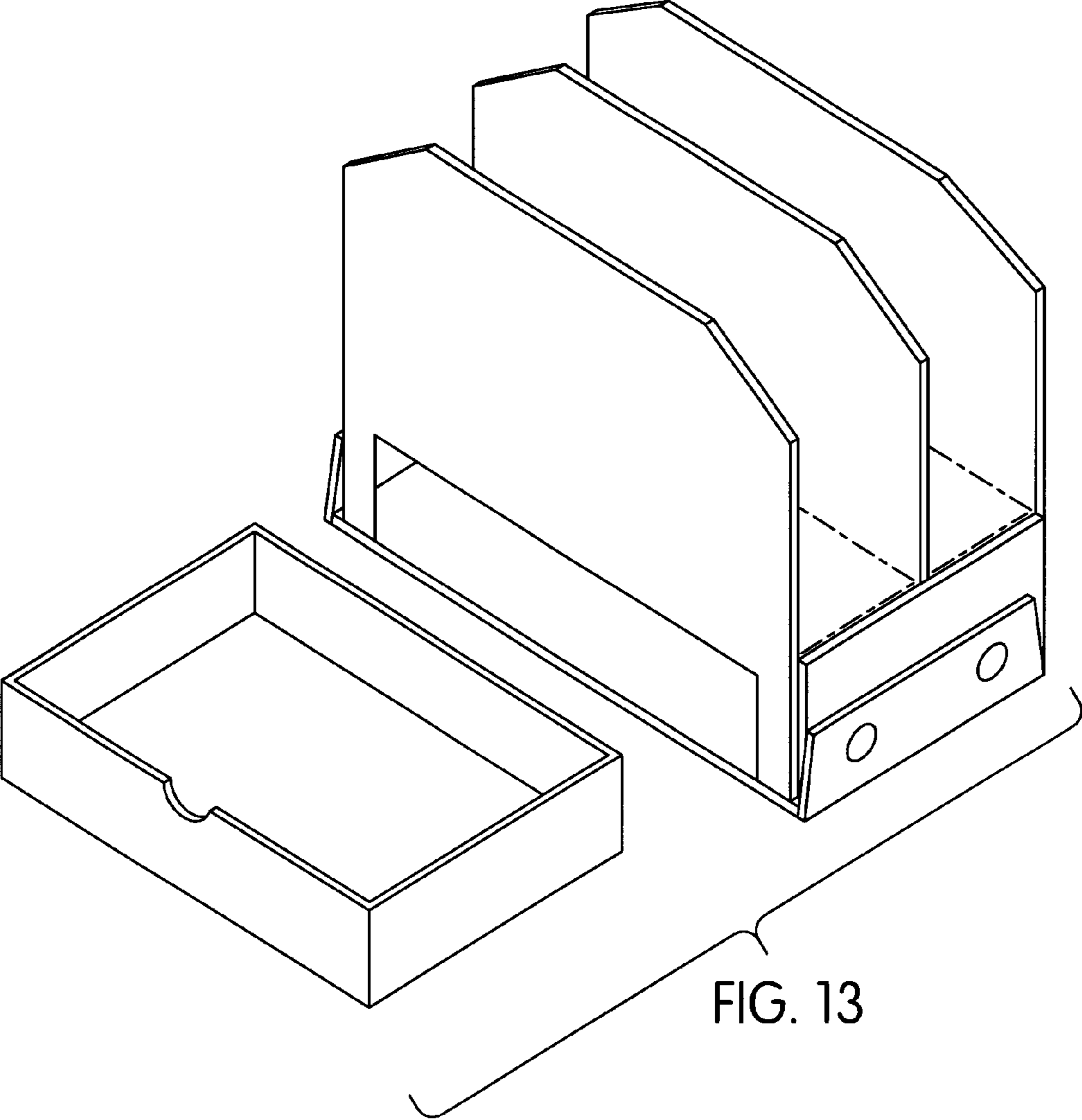


FIG. 12



UNITED STATES PATENT AND TRADEMARK OFFICE
CERTIFICATE OF CORRECTION

PATENT NO. : Des. 512,102 S
DATED : November 29, 2005
INVENTOR(S) : Anthony J. Decarlo, Daniel V. Perella and Vincent J. Thomson

Page 1 of 1

It is certified that error appears in the above-identified patent and that said Letters Patent is hereby corrected as shown below:

Title page.

Item [73], Assignee, replace “**IdeaStream Consumer Products, LLP.**” with
-- **IdeaStream Consumer Products, LLC.** --.

Signed and Sealed this

Eighteenth Day of April, 2006

A handwritten signature in black ink on a dotted background. The signature reads "Jon W. Dudas" in a cursive style.

JON W. DUDAS

Director of the United States Patent and Trademark Office