



US00D512099S

(12) **United States Design Patent**
Shibata

(10) **Patent No.:** **US D512,099 S**

(45) **Date of Patent:** **** Nov. 29, 2005**

(54) **MECHANICAL PENCIL**

(75) **Inventor:** **Tomoaki Shibata, Tokyo (JP)**

(73) **Assignee:** **Pentel Kabushiki Kaisha, Tokyo (JP)**

(**) **Term:** **14 Years**

(21) **Appl. No.:** **29/214,733**

(22) **Filed:** **Oct. 7, 2004**

(30) **Foreign Application Priority Data**

Apr. 12, 2004 (JP) 2004-011137

(51) **LOC (8) Cl.** **19-06**

(52) **U.S. Cl.** **D19/51**

(58) **Field of Search** D19/35, 36, 41-51,
D19/53-58, 81-85; 401/6, 7, 88, 99-102,
103-106, 107-110, 111-117, 209; 24/10 R,
11 R, 11 P, 11 PP, 11 F, 11 M

(56) **References Cited**

U.S. PATENT DOCUMENTS

- D206,636 S * 1/1967 Zierhut et al. D19/51
- 4,035,089 A * 7/1977 Schwartz et al. 401/6
- 5,000,599 A * 3/1991 McCall et al. 401/6
- 6,036,385 A * 3/2000 Bistrack 401/6
- 6,146,038 A * 11/2000 Mittersinker et al. 401/6
- D448,805 S * 10/2001 Willat et al. D19/55
- D486,182 S * 2/2004 Sener et al. D19/55
- D486,857 S * 2/2004 Sener et al. D19/51

- D495,744 S * 9/2004 Ikeda D19/51
- D501,224 S * 1/2005 Pan D19/51

* cited by examiner

Primary Examiner—Jeffrey Asch

Assistant Examiner—Elizabeth Albert

(74) *Attorney, Agent, or Firm*—Adams & Wilks

(57) **CLAIM**

The ornamental design for a mechanical pencil, as shown and described.

DESCRIPTION

FIG. 1 is a perspective view of a mechanical pencil showing my new design;

FIG. 2 is a front elevational view thereof;

FIG. 3 is a right side elevational view thereof;

FIG. 4 is a rear elevational view thereof;

FIG. 5 is a bottom plan view thereof;

FIG. 6 is a top plan view thereof;

FIG. 7 is a front elevational view of FIG. 1 with the writing tip extended;

FIG. 8 is a right side elevational view of FIG. 7;

FIG. 9 is an alternate front elevational view with the grip portion in a twisted state;

FIG. 10 is a right side elevational view of FIG. 9; and,

FIG. 11 is a perspective view of FIG. 9 with the writing tip extended.

1 Claim, 3 Drawing Sheets

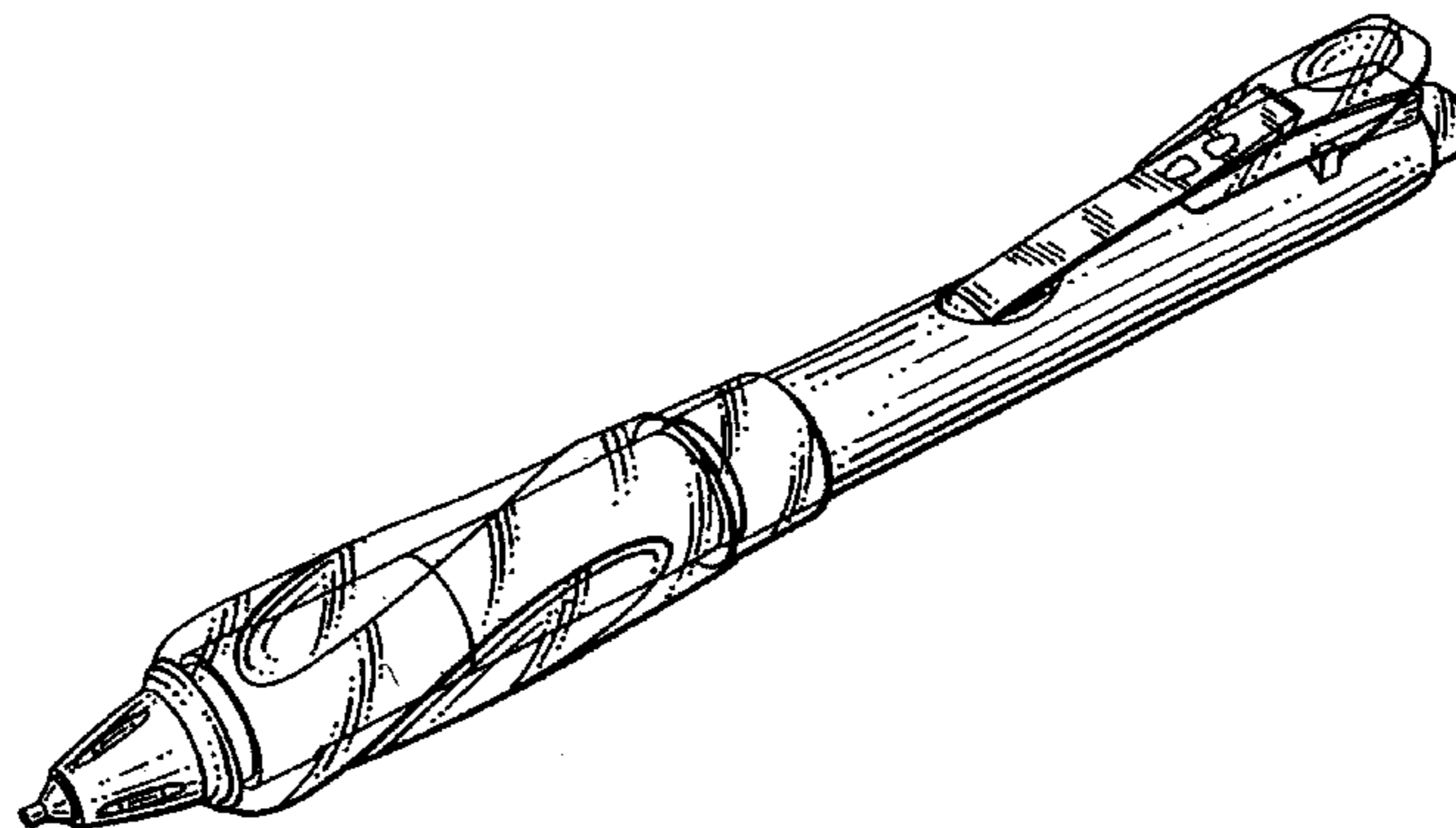
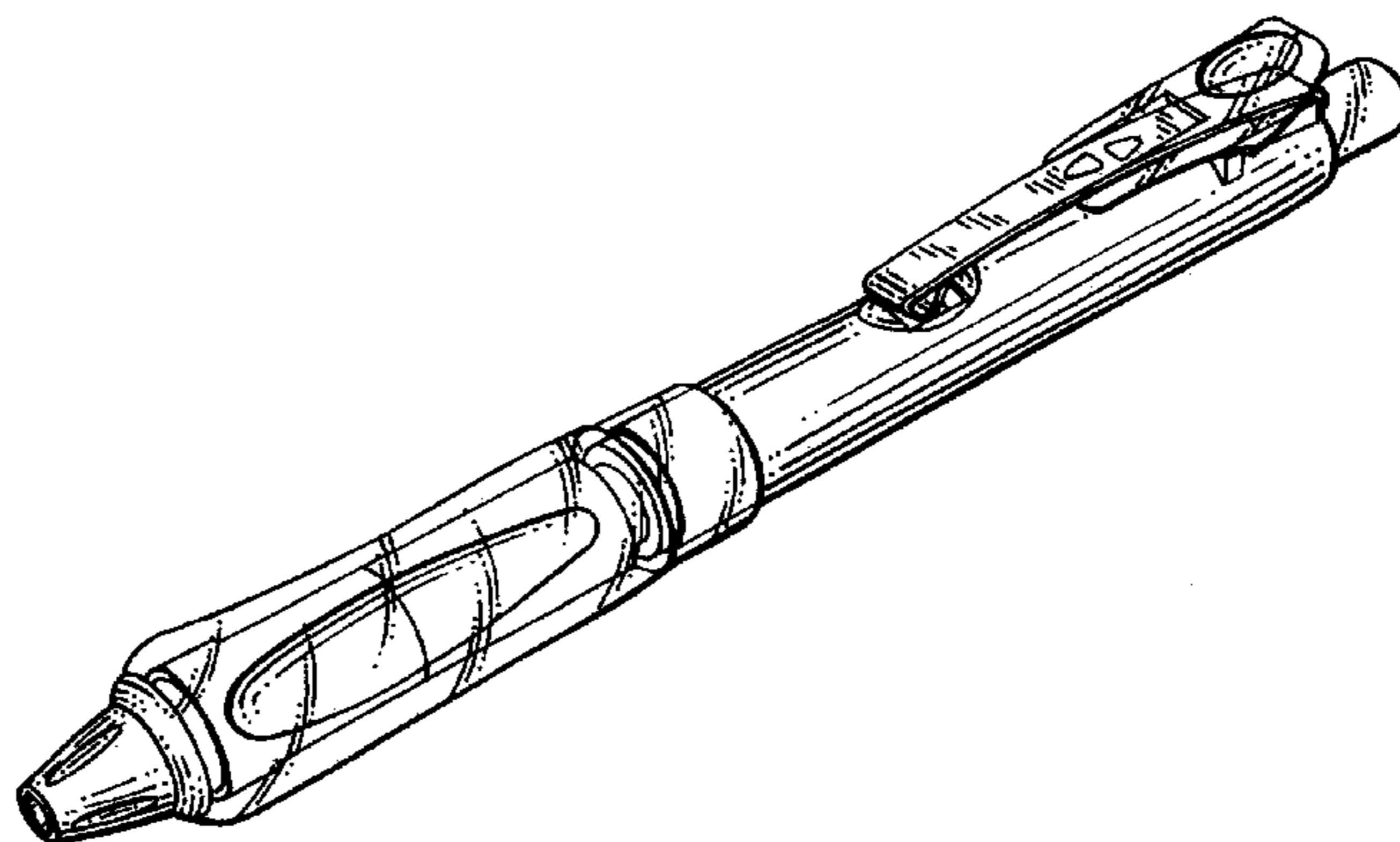


FIG. 1

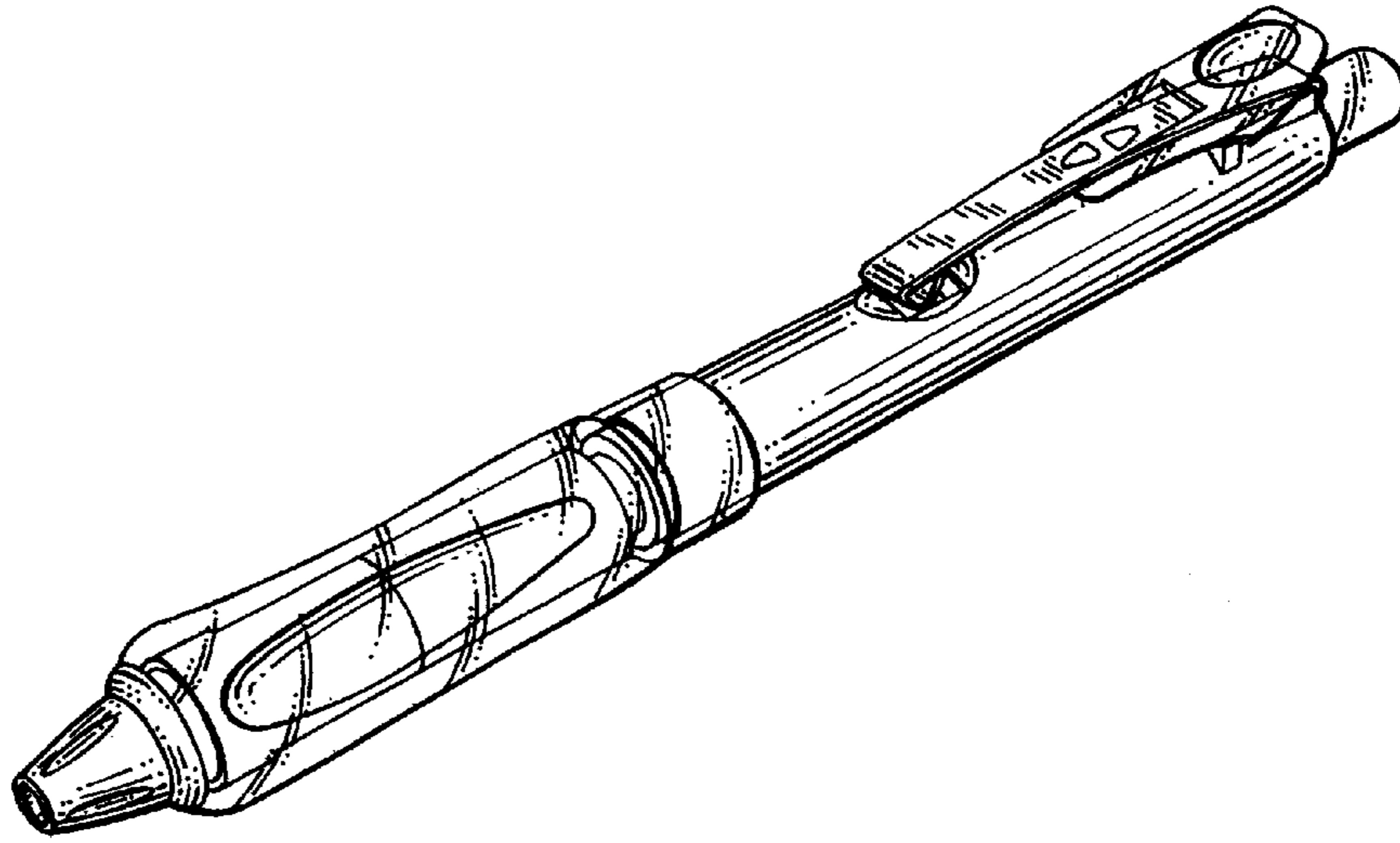


FIG. 2

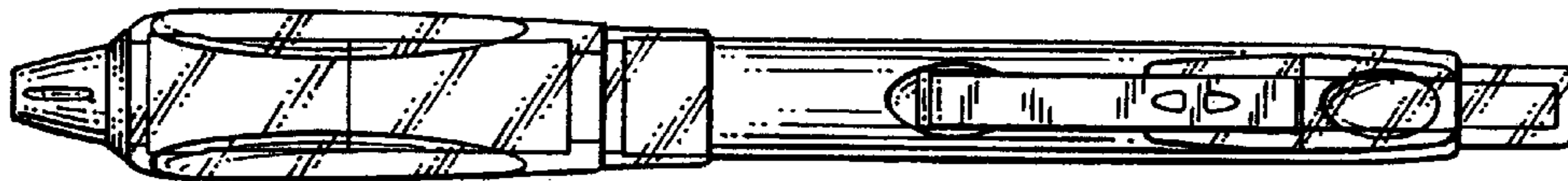


FIG. 3

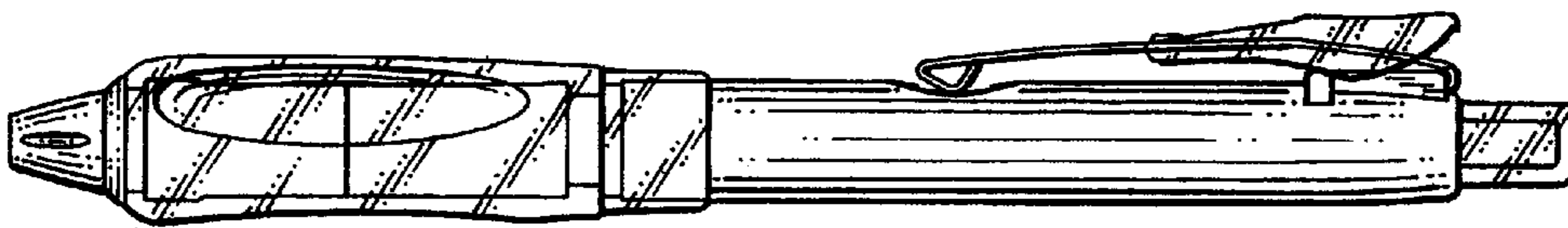


FIG. 4

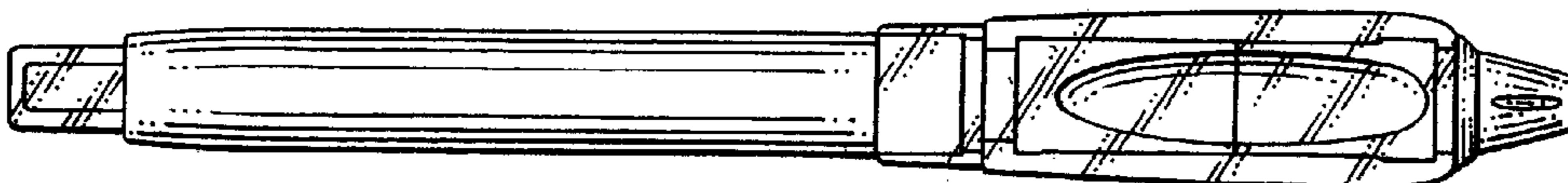


FIG. 5

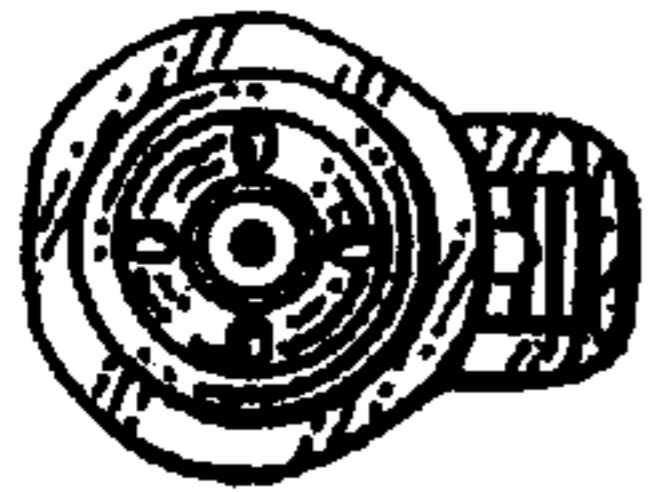


FIG. 6

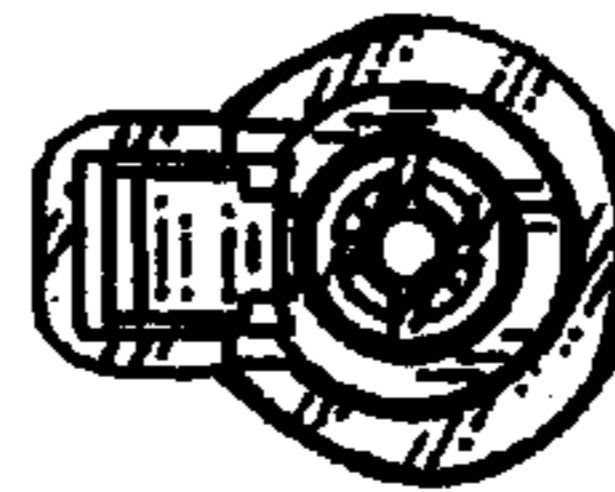


FIG. 7

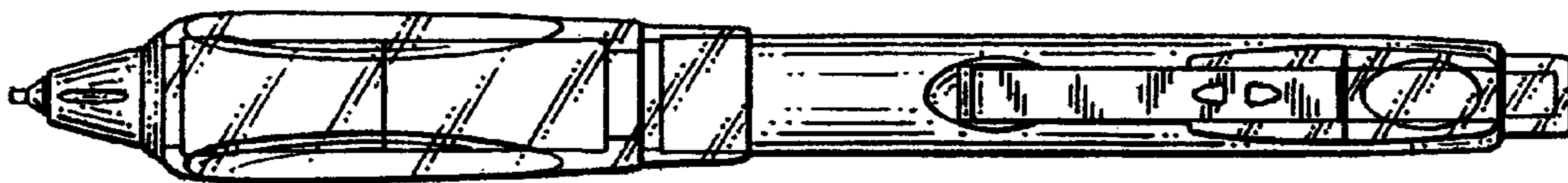


FIG. 8

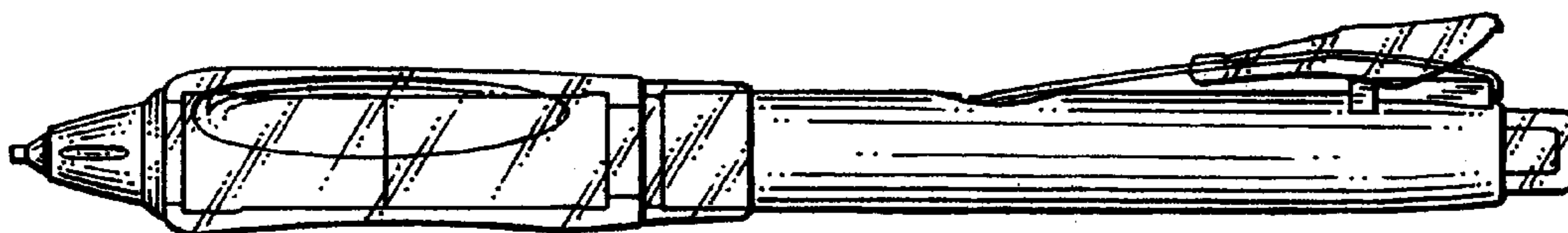


FIG. 9

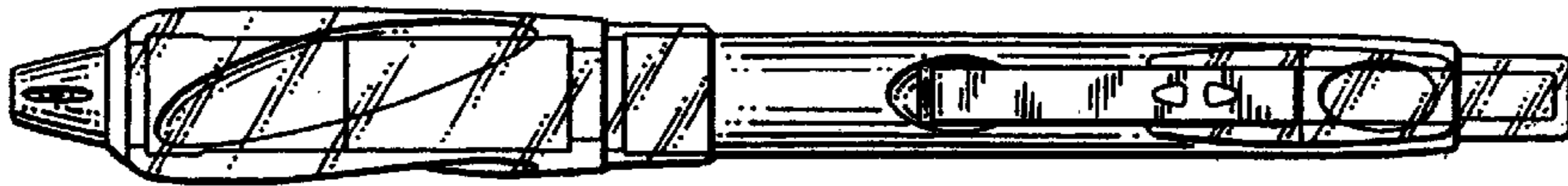


FIG. 10

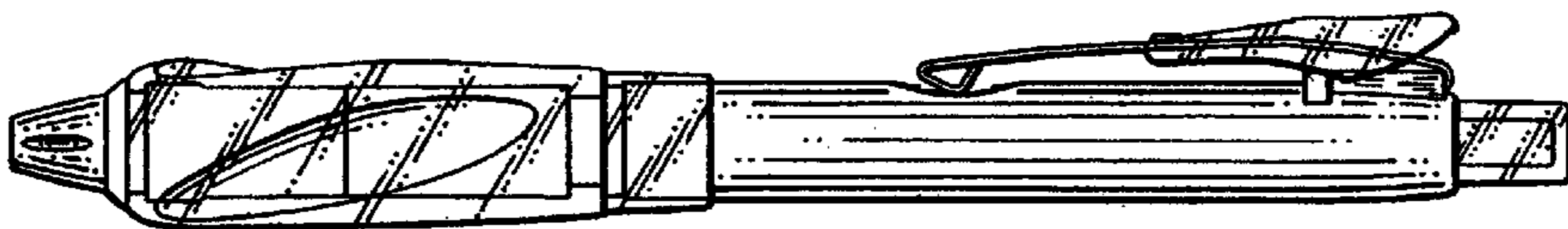


FIG. 11

