



US00D512097S

(12) **United States Design Patent**
Chudek et al.

(10) **Patent No.:** **US D512,097 S**

(45) **Date of Patent:** **** Nov. 29, 2005**

(54) **BEAM COMPASS**

5,235,754 A * 8/1993 Sirois 33/27.03

(75) Inventors: **Chris Chudek**, Atlanta, GA (US);
Marta Phillips, Fairfield, CT (US)

* cited by examiner

Primary Examiner—Martie K. Holtje

(73) Assignee: **Acme United Corporation**, Fairfield,
CT (US)

(74) *Attorney, Agent, or Firm*—Whyte Hirschboeck Dudek
SC

(**) Term: **14 Years**

(57) **CLAIM**

The ornamental design for a beam compass, as shown and
described.

(21) Appl. No.: **29/188,202**

(22) Filed: **Aug. 14, 2003**

DESCRIPTION

(51) **LOC (8) Cl.** **19-06**

FIG. 1 is a front perspective view of the beam compass
according to the present invention;

(52) **U.S. Cl.** **D19/38**

FIG. 2 is a rear perspective view, rotated 180 degrees from
the view of FIG. 1, of the beam compass of FIG. 1;

(58) **Field of Search** D19/35, 36, 37,
D19/38, 39, 40, 65; 401/52, 195, 131, 88;
33/27.01, 27.02, 27.03, 27.031, 27.04, 30.1,
558.5, 558.01–558.06, 558.07

FIG. 3 is a front plan view of the beam compass of FIG. 1;
FIG. 4 is a rear view of the beam compass, rotated 180
degrees from the view of FIG. 3, of the beam compass of
FIG. 1;

(56) **References Cited**

U.S. PATENT DOCUMENTS

- 760,353 A * 5/1904 Stone 33/27.031
- 957,238 A * 5/1910 Murphy 33/27.03
- 1,670,509 A * 5/1928 Jung 33/27.03
- D105,522 S * 8/1937 Hauser D19/38
- D135,353 S * 3/1943 Gile D19/38
- 2,385,723 A * 9/1945 Oehrli 33/27.03
- D142,573 S * 10/1945 Mahler D19/38
- 2,832,141 A * 4/1958 Taylor 33/27.03
- D218,478 S * 8/1970 Novak D19/38
- 3,925,898 A * 12/1975 Melnik 33/27.03

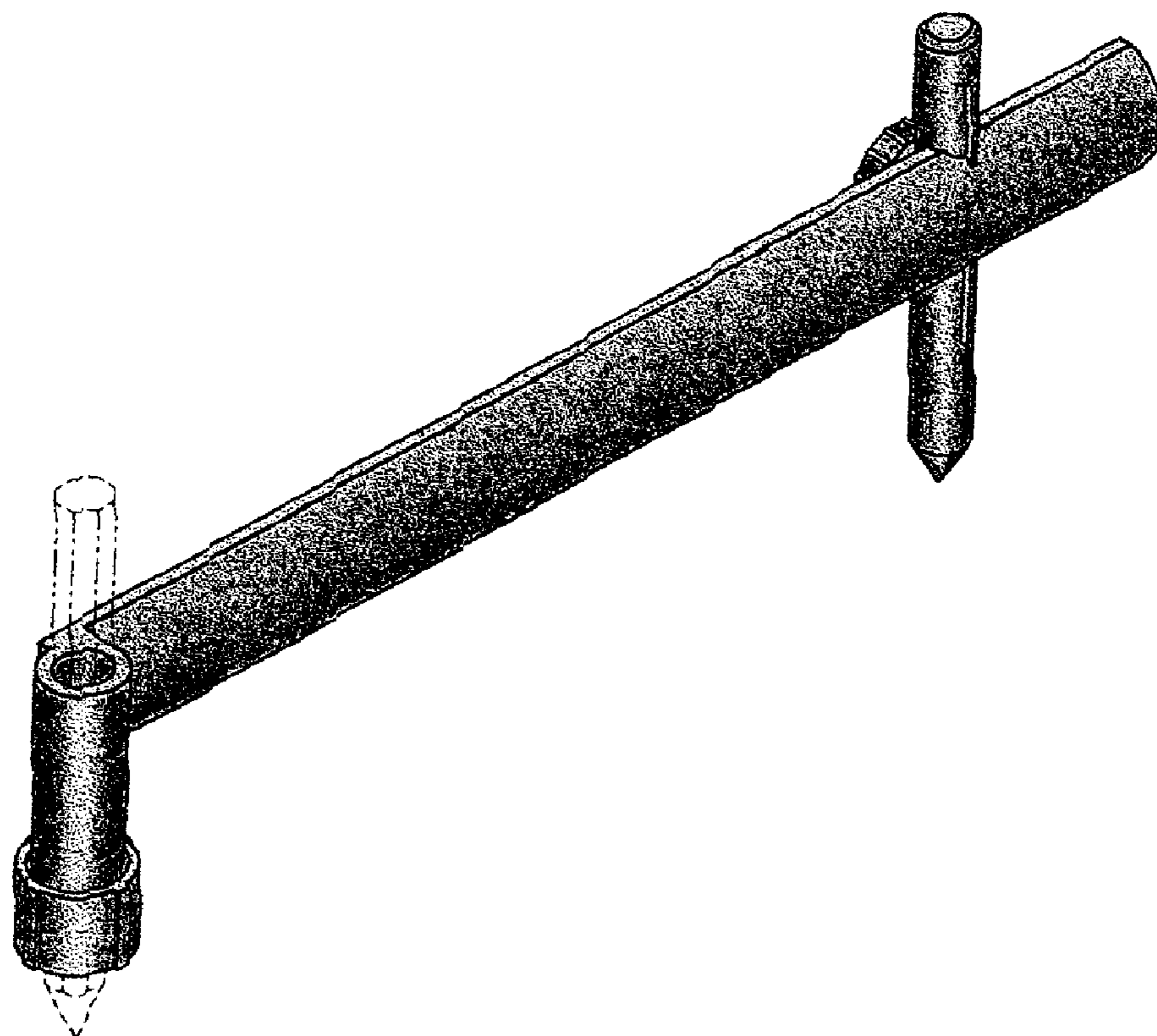
FIG. 5 is a top view of the beam compass of FIG. 1;
FIG. 6 is a bottom view, opposite the view of FIG. 5, of the
beam compass of FIG. 1;

FIG. 7 is a first end view of the beam compass of FIG. 1;
and,

FIG. 8 is a second end view, opposite the view of FIG. 7, of
the beam compass of FIG. 1.

The pencil depicted by means of broken lines in FIG. 1 has
been shown for illustrative purposes only and forms no part
of the claimed design.

1 Claim, 5 Drawing Sheets



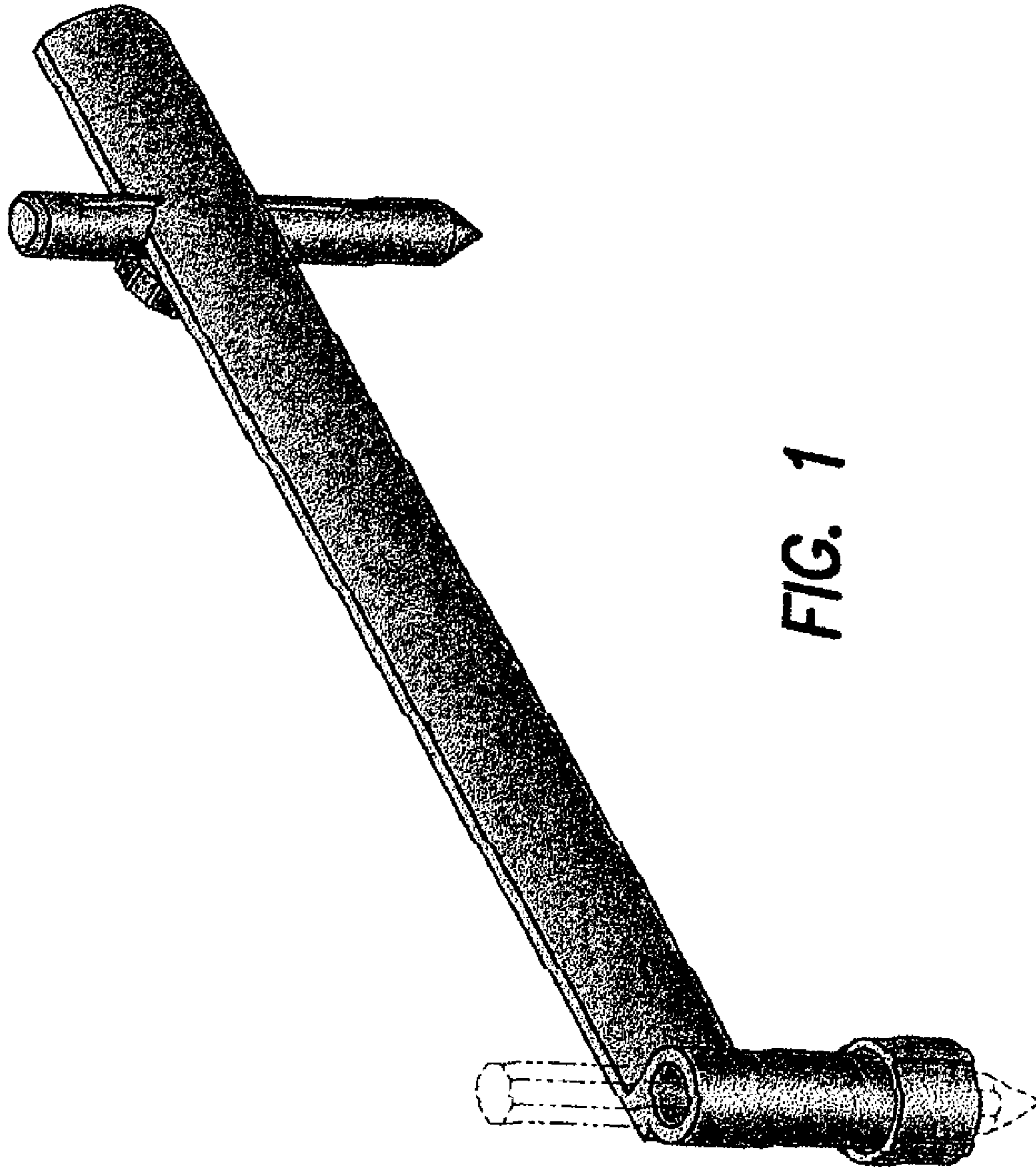


FIG. 1

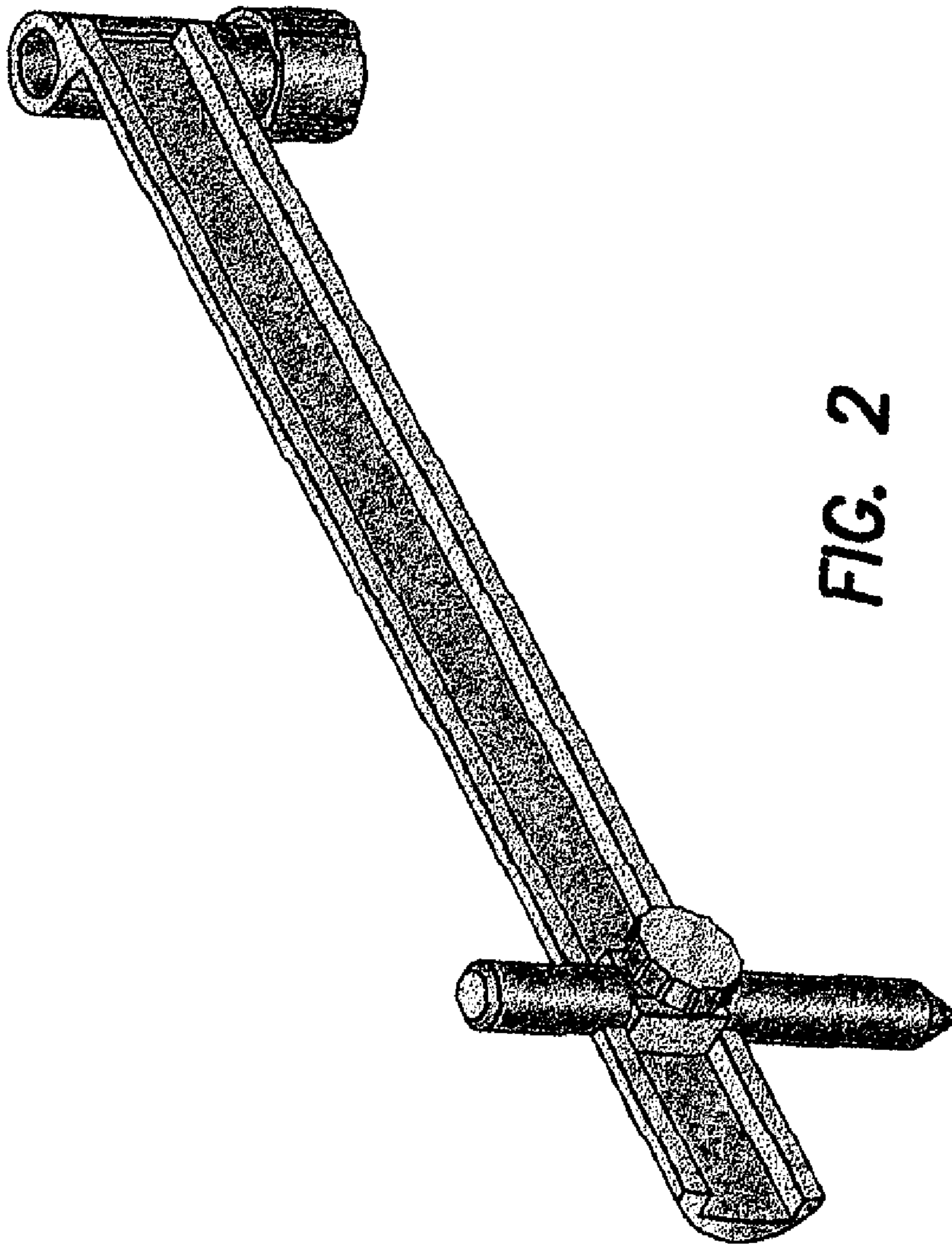


FIG. 2

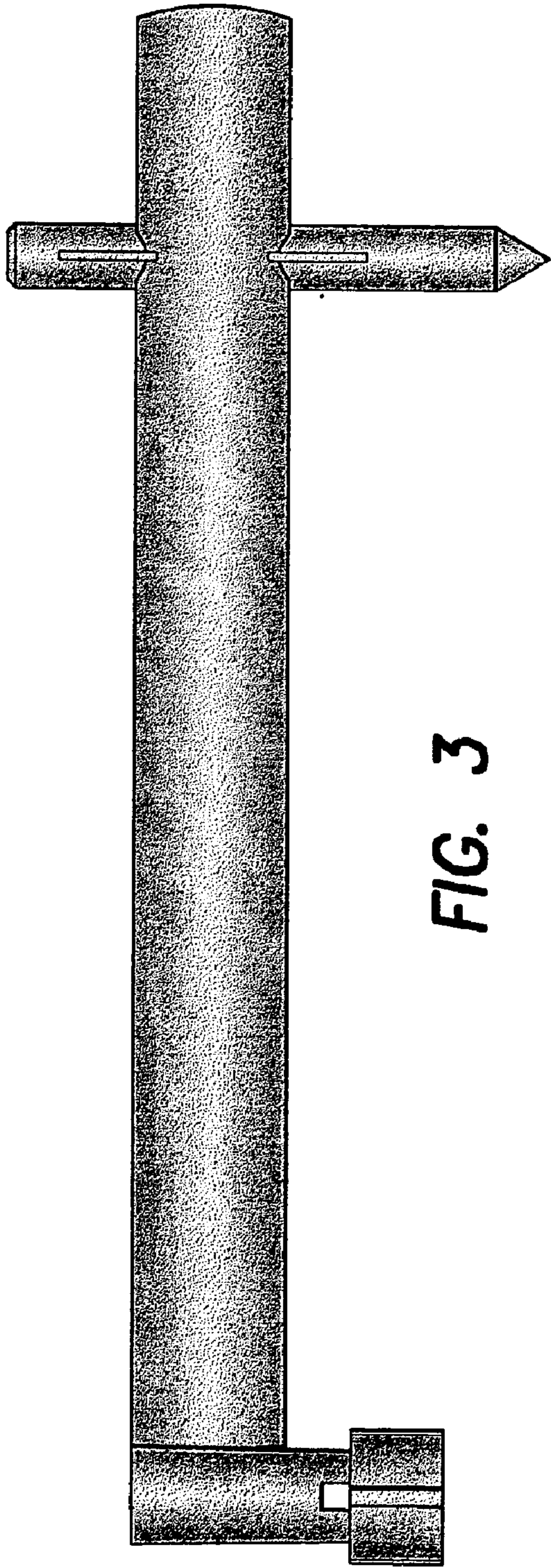


FIG. 3

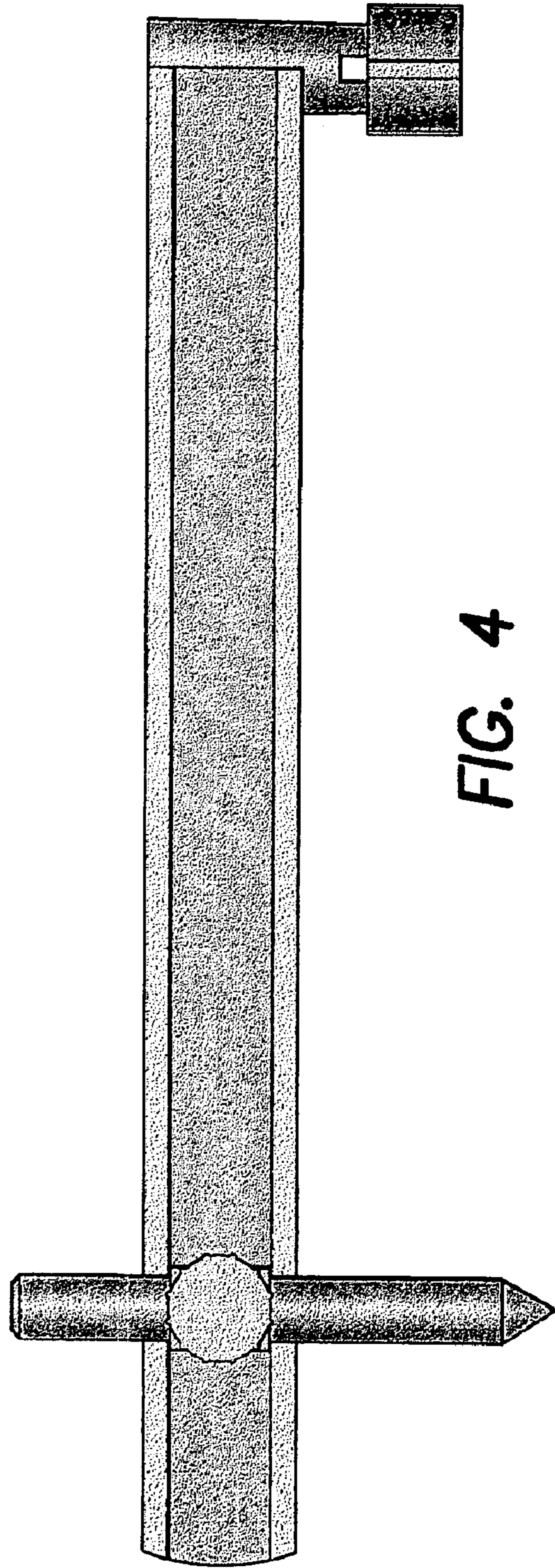


FIG. 4

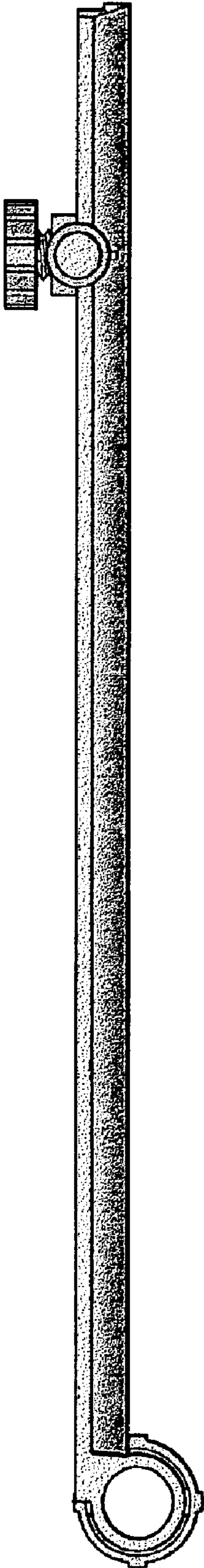


FIG. 5

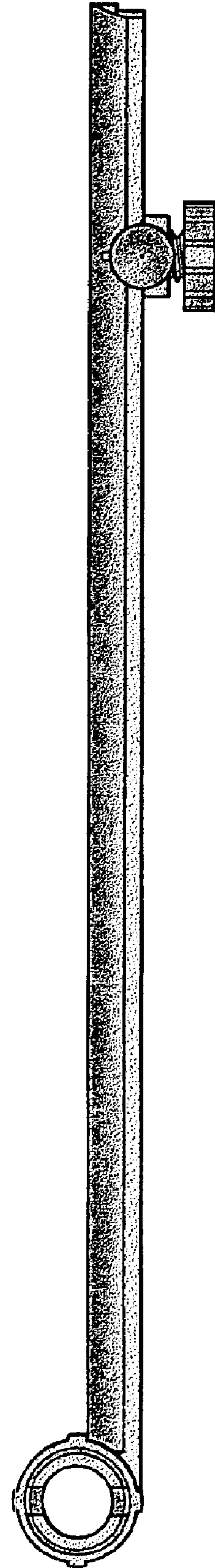


FIG. 6

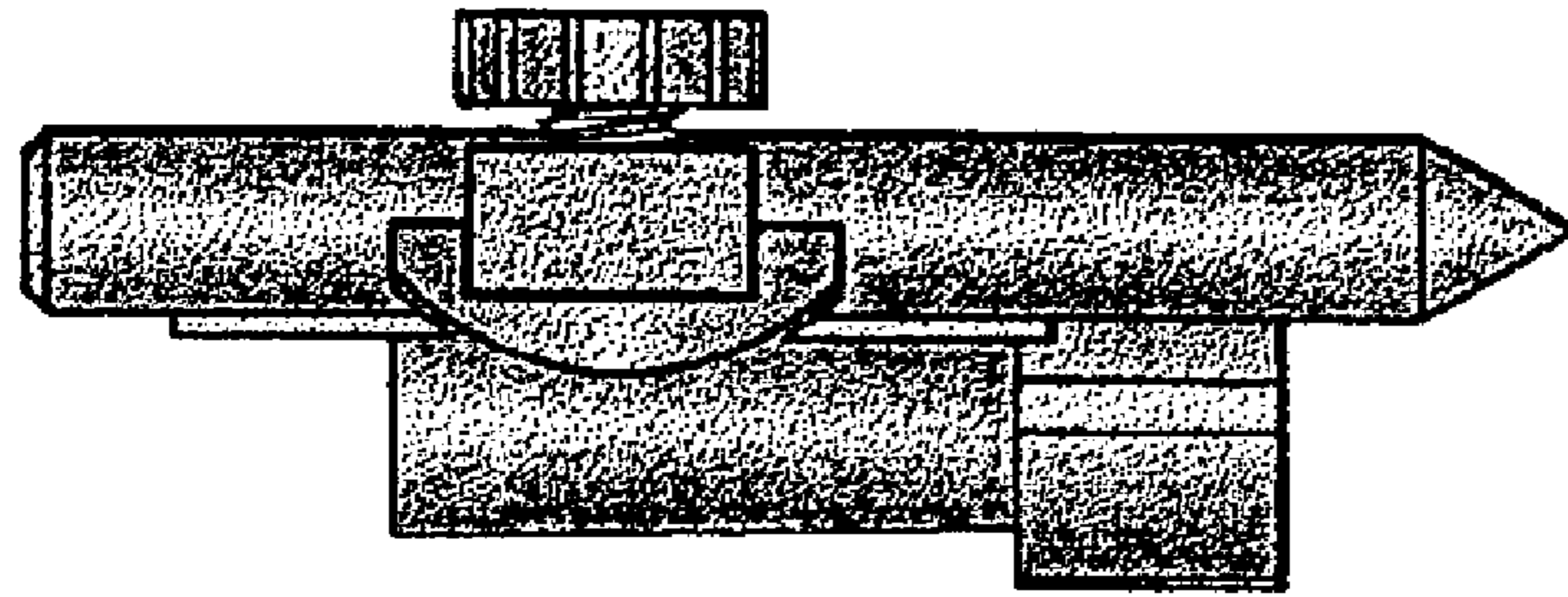


FIG. 8

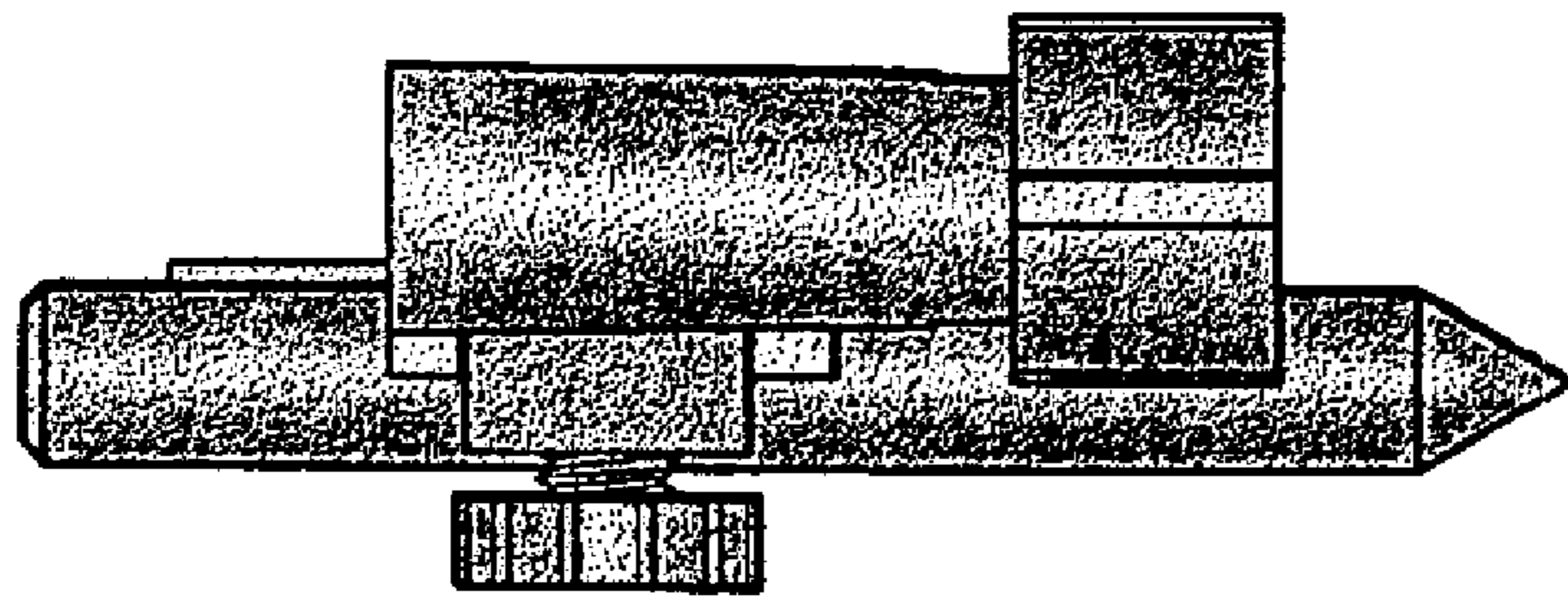


FIG. 7