



US00D512095S

(12) **United States Design Patent** (10) **Patent No.:** **US D512,095 S**  
**Allard et al.** (45) **Date of Patent:** **\*\* \*Nov. 29, 2005**

(54) **CARD WITH AN ANTENNA AND A BLUE RECTANGLE**

(75) Inventors: **Lee Allard**, Uckfield (GB); **David Bonalle**, New Rochelle, NY (US); **Gail Francolini**, New York, NY (US); **Pam Kornfeld**, Westfield, NJ (US); **Leigh Malnati**, Mountain Lakes, NJ (US); **Sue Mueller**, Phoenix, AZ (US); **Zarita Norcross**, Glendale, AZ (US); **Danielle Nulle**, Atlantic Highlands, NJ (US); **Steve Rank**, New York, NY (US); **Lisa Skilling-Belmond**, New York, NY (US); **Lisa Webb**, Darien, CT (US)

(73) Assignee: **American Express Travel Related Services Company, Inc.**, New York, NY (US)

(\*) Notice: This patent is subject to a terminal disclaimer.

(\*\*) Term: **14 Years**

(21) Appl. No.: **29/206,931**

(22) Filed: **Jun. 3, 2004**

(51) **LOC (8) Cl.** ..... **09-08**  
 (52) **U.S. Cl.** ..... **D19/10**  
 (58) **Field of Search** ..... D14/436, 437, D14/438; D19/1, 2, 9, 10, 11; D20/22, 27, 40; 40/625, 626; 235/380, 382, 449, 488, 492, 493; 283/106, 107, 108, 109, 904

(56) **References Cited**

**U.S. PATENT DOCUMENTS**

4,711,690 A \* 12/1987 Haghiri-Tehrani ..... 156/309.6  
 5,321,240 A \* 6/1994 Takahira ..... 235/380  
 5,705,852 A \* 1/1998 Orihara et al. .... 257/679  
 5,809,633 A \* 9/1998 Mundigl et al. .... 29/600

6,095,424 A \* 8/2000 Prancz ..... 235/492  
 6,127,989 A \* 10/2000 Kunz ..... 343/895  
 6,161,761 A \* 12/2000 Ghaem et al. .... 235/492  
 D442,629 S \* 5/2001 Webb et al. .... D19/10  
 6,252,777 B1 \* 6/2001 Ikeda et al. .... 361/737  
 6,255,725 B1 \* 7/2001 Akagawa et al. .... 257/679  
 D447,515 S \* 9/2001 Faenza et al. .... D19/10  
 6,386,459 B1 \* 5/2002 Patrice et al. .... 235/492  
 6,412,702 B1 \* 7/2002 Ishikawa et al. .... 235/492  
 6,536,674 B2 \* 3/2003 Kayanakis et al. .... 235/492  
 D474,472 S \* 5/2003 Maekawa et al. .... D14/436  
 6,628,240 B2 \* 9/2003 Amadeo ..... 343/866  
 6,631,847 B1 \* 10/2003 Kasahara et al. .... 235/487  
 6,651,891 B1 \* 11/2003 Zakel et al. .... 235/487  
 6,724,103 B2 \* 4/2004 Parrault ..... 307/104  
 2002/0089405 A1 \* 7/2002 Jitaru ..... 336/200  
 2003/0085288 A1 \* 5/2003 Luu ..... 235/492  
 2004/0129785 A1 \* 7/2004 Luu ..... 235/486

\* cited by examiner

*Primary Examiner*—Joel A. Sincavage

*Assistant Examiner*—Elizabeth Albert

(74) *Attorney, Agent, or Firm*—Snell & Wilmer L.L.P.

(57) **CLAIM**

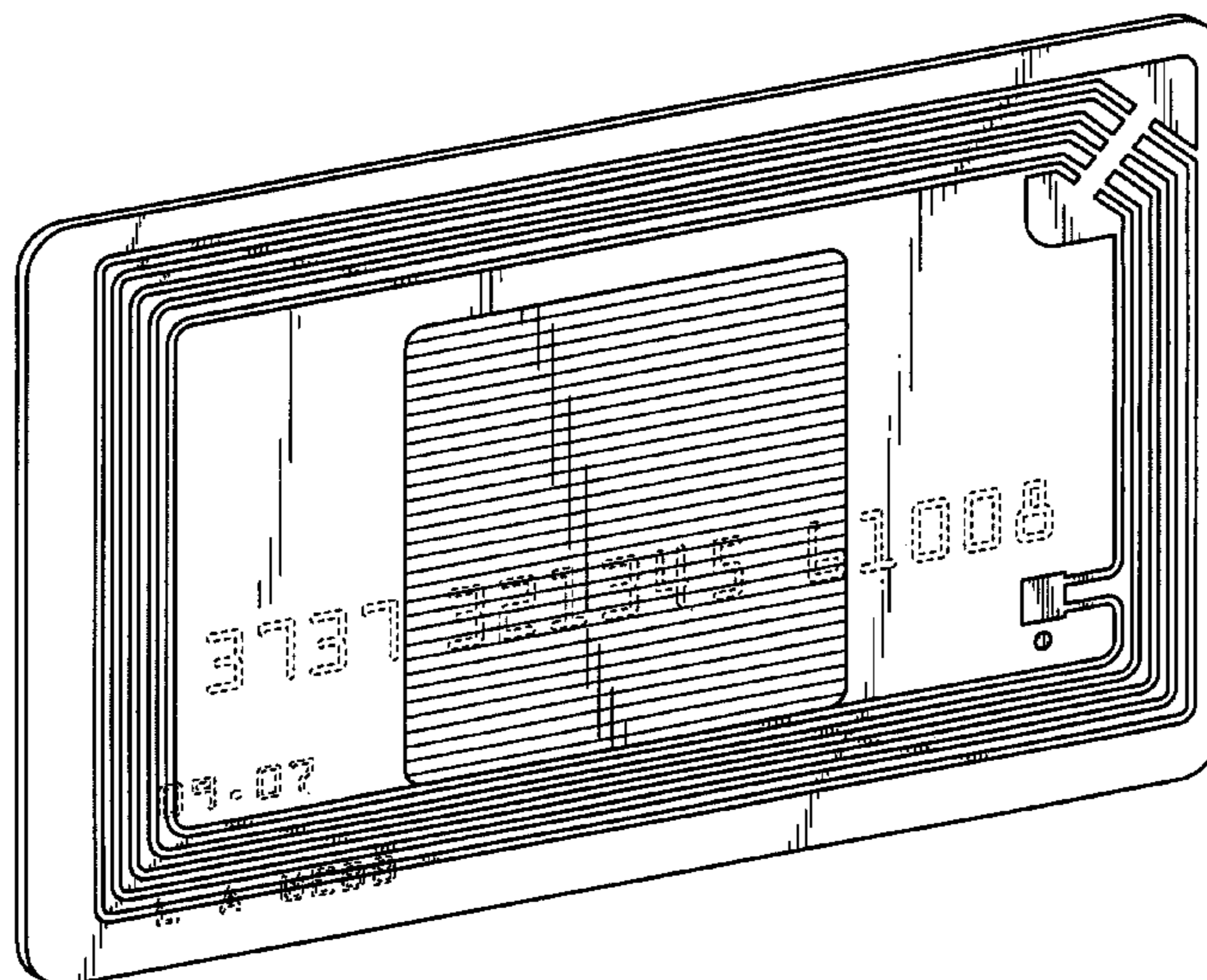
The ornamental design for a card with an antenna and a blue rectangle, as shown and described.

**DESCRIPTION**

FIG. 1 is a perspective view of a card with an antenna and a blue ornamental rectangle showing our new design; FIG. 2 is a top plan view of the card of FIG. 1; FIG. 3 is a bottom plan view of the card of FIG. 1; FIG. 4 is a right side elevational view thereof; FIG. 5 is a left side elevational view thereof; FIG. 6 is a front elevational view thereof; and, FIG. 7 is a rear elevational view thereof.

The broken lines showing environment in the drawings are shown for illustrative purposes only and form no part of the claimed design.

**1 Claim, 3 Drawing Sheets**



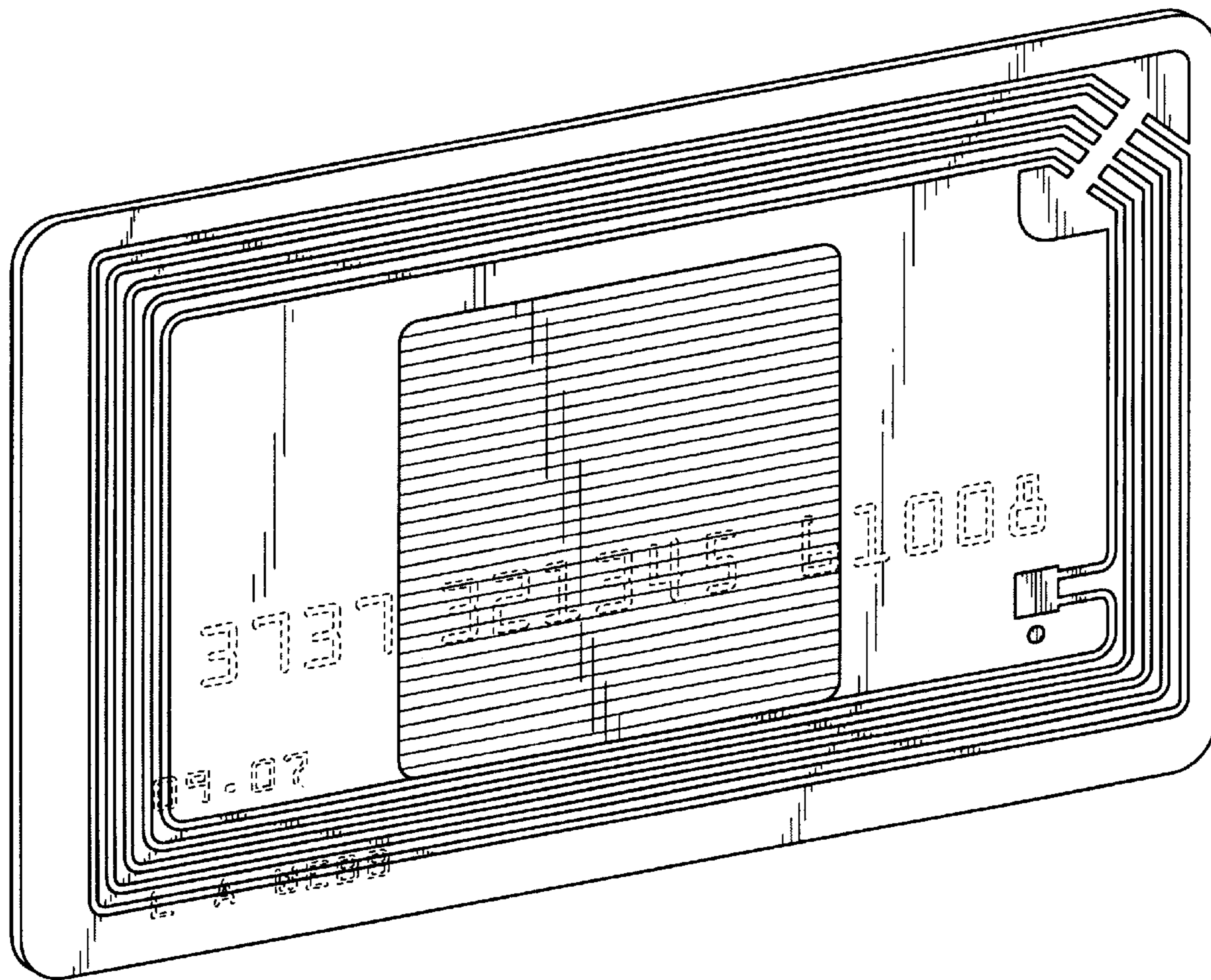


FIG.1

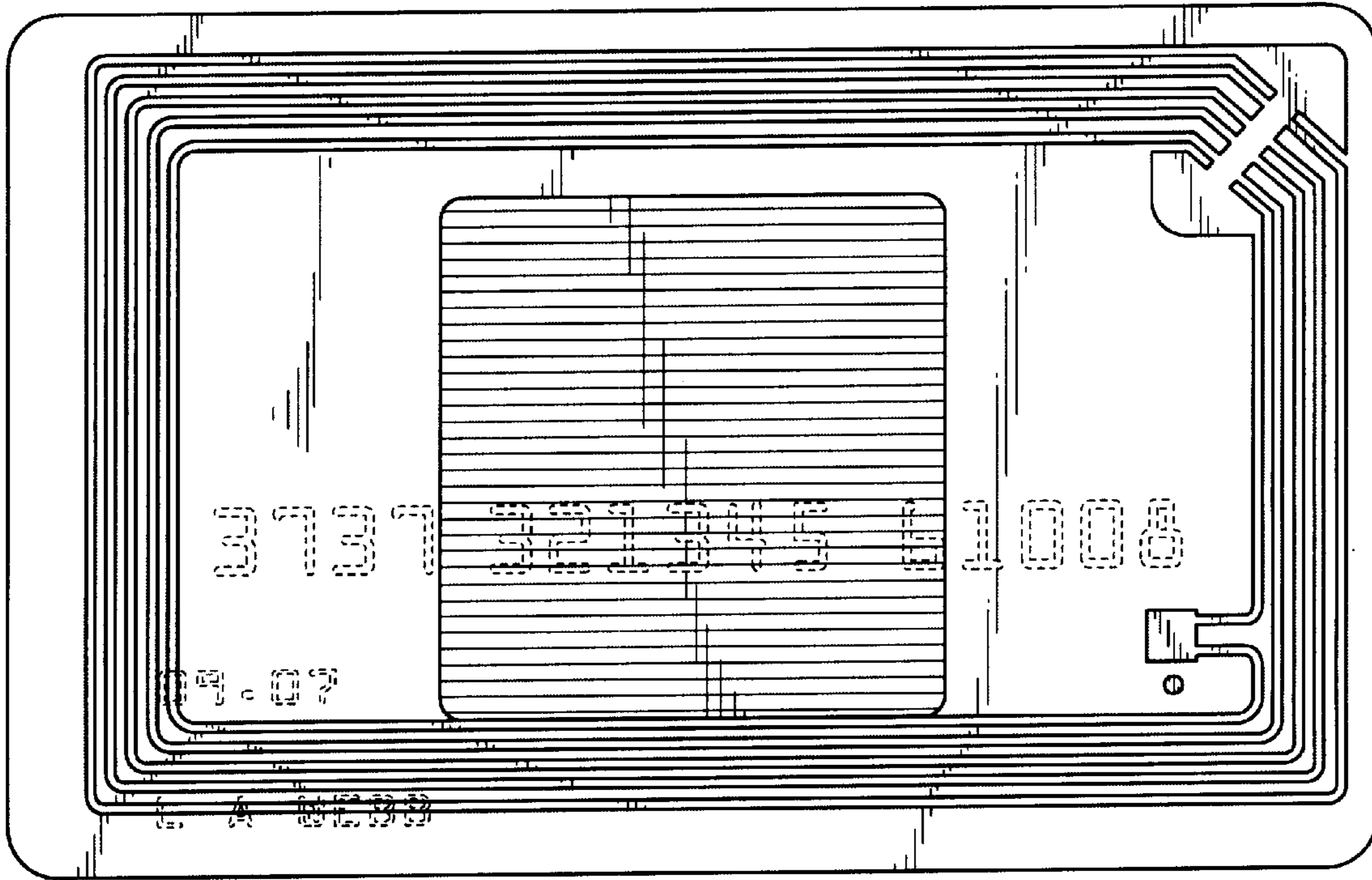


FIG.2

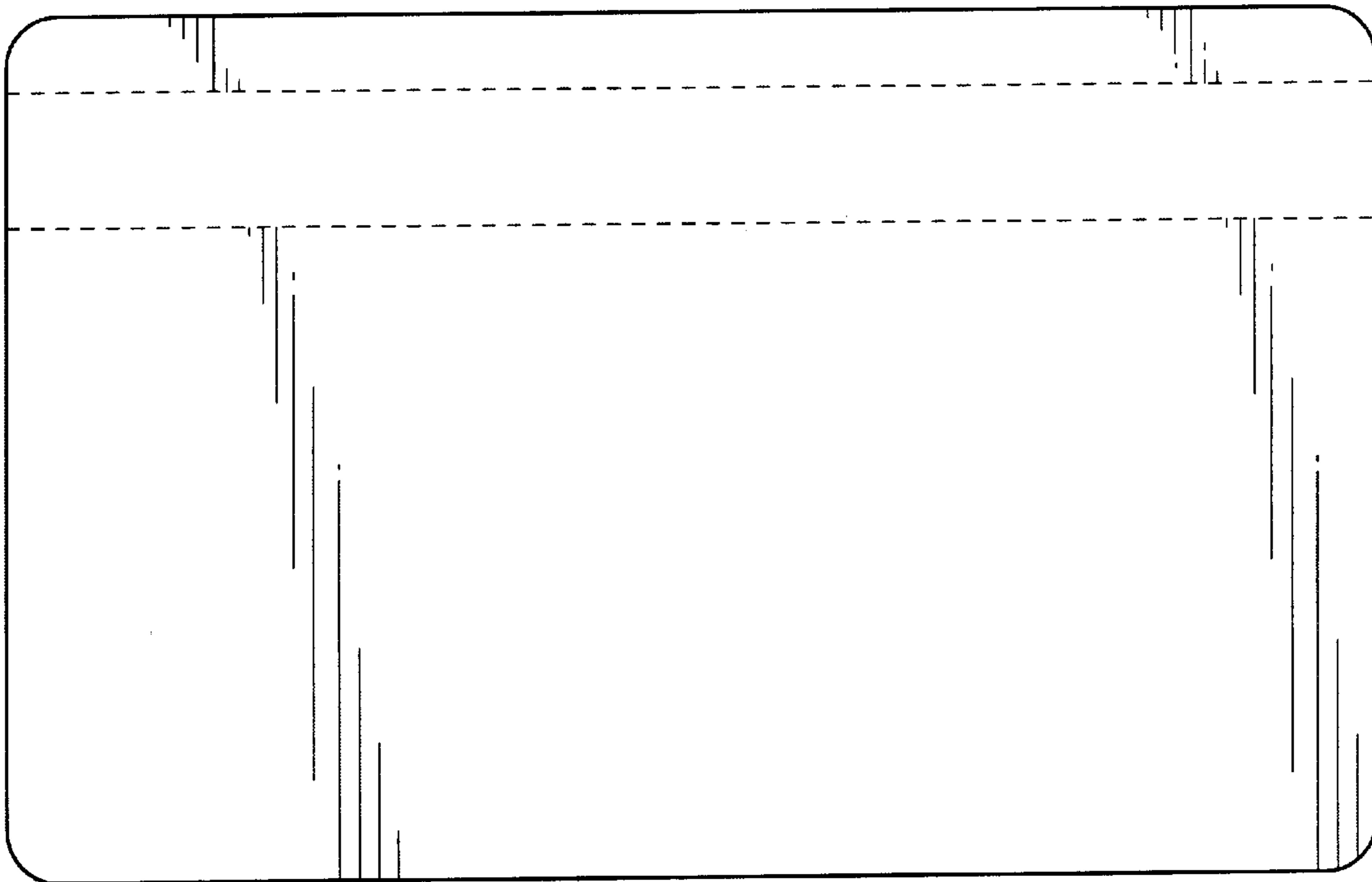


FIG.3



FIG. 4

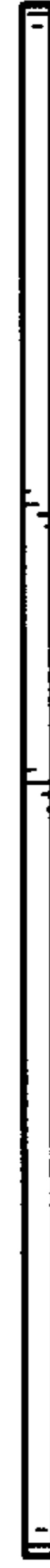


FIG. 5

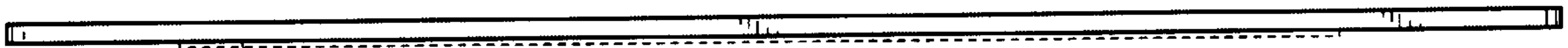


FIG. 6

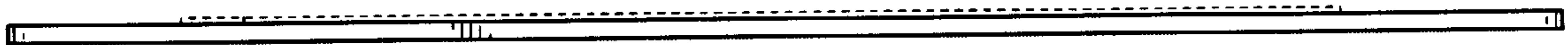


FIG. 7