



US00D512093S

(12) **United States Design Patent**  
**Namekawa**

(10) **Patent No.:** **US D512,093 S**

(45) **Date of Patent:** **\*\* Nov. 29, 2005**

(54) **INK CARTRIDGE**

(75) Inventor: **Takumi Namekawa, Tokyo (JP)**

(73) Assignee: **Sony Corporation, Tokyo (JP)**

(\*\*) Term: **14 Years**

(21) Appl. No.: **29/195,451**

(22) Filed: **Dec. 12, 2003**

(51) **LOC (8) Cl.** ..... **18-02**

(52) **U.S. Cl.** ..... **D18/56; 347/86**

(58) **Field of Search** ..... **D18/40, 43, 56;**  
**347/86, 87**

(56) **References Cited**

**U.S. PATENT DOCUMENTS**

D365,846 S	*	1/1996	Nishimura	.....	D18/43
D424,612 S	*	5/2000	Inoue et al.	.....	D18/56
D454,363 S	*	3/2002	Seino et al.	.....	D18/56
D477,020 S	*	7/2003	Seino	.....	D18/56
D477,841 S	*	7/2003	Shimizu et al.	.....	D18/56
D478,345 S	*	8/2003	Kinoshita et al.	.....	D18/43
D481,756 S	*	11/2003	Shinada et al.	.....	D18/56
D489,757 S	*	5/2004	Matsumoto	.....	D18/56
D490,102 S	*	5/2004	Umeyama et al.	.....	D18/56
6,739,707 B2	*	5/2004	Shimizu et al.	.....	347/85

D490,846 S	*	6/2004	Suzuki et al.	.....	D18/56
D492,962 S	*	7/2004	Suzuki et al.	.....	D18/56
D493,819 S	*	8/2004	Katsuyama	.....	D18/56
6,866,374 B2	*	3/2005	Taku	.....	347/86

\* cited by examiner

*Primary Examiner*—Cathy Anne MacCormac

(74) *Attorney, Agent, or Firm*—Rader, Fishman & Grauer PLLC

(57) **CLAIM**

The ornamental design for an ink cartridge, as shown and described.

**DESCRIPTION**

FIG. 1 is a perspective view of an ink cartridge showing my new design;

FIG. 2 is a front elevational view thereof;

FIG. 3 is a rear elevational view thereof;

FIG. 4 is a left side elevational view thereof;

FIG. 5 is a right side elevational view thereof;

FIG. 6 is a top plan view thereof; and,

FIG. 7 is a bottom plan view thereof.

Portions of FIGS. 1-7 that are shown as broken lines are for illustrative purpose only and form no part of the claimed design.

**1 Claim, 4 Drawing Sheets**

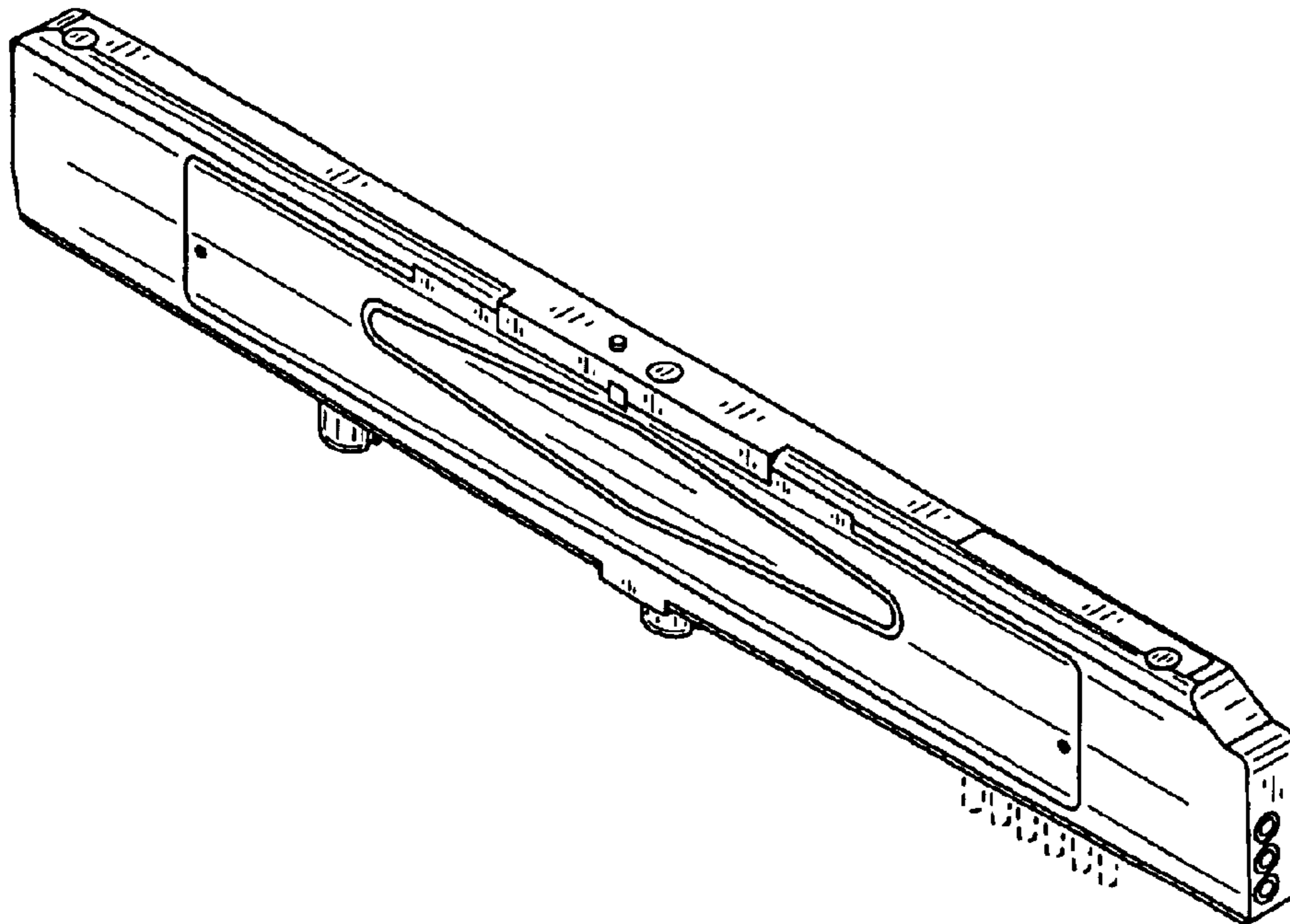


Fig. 1

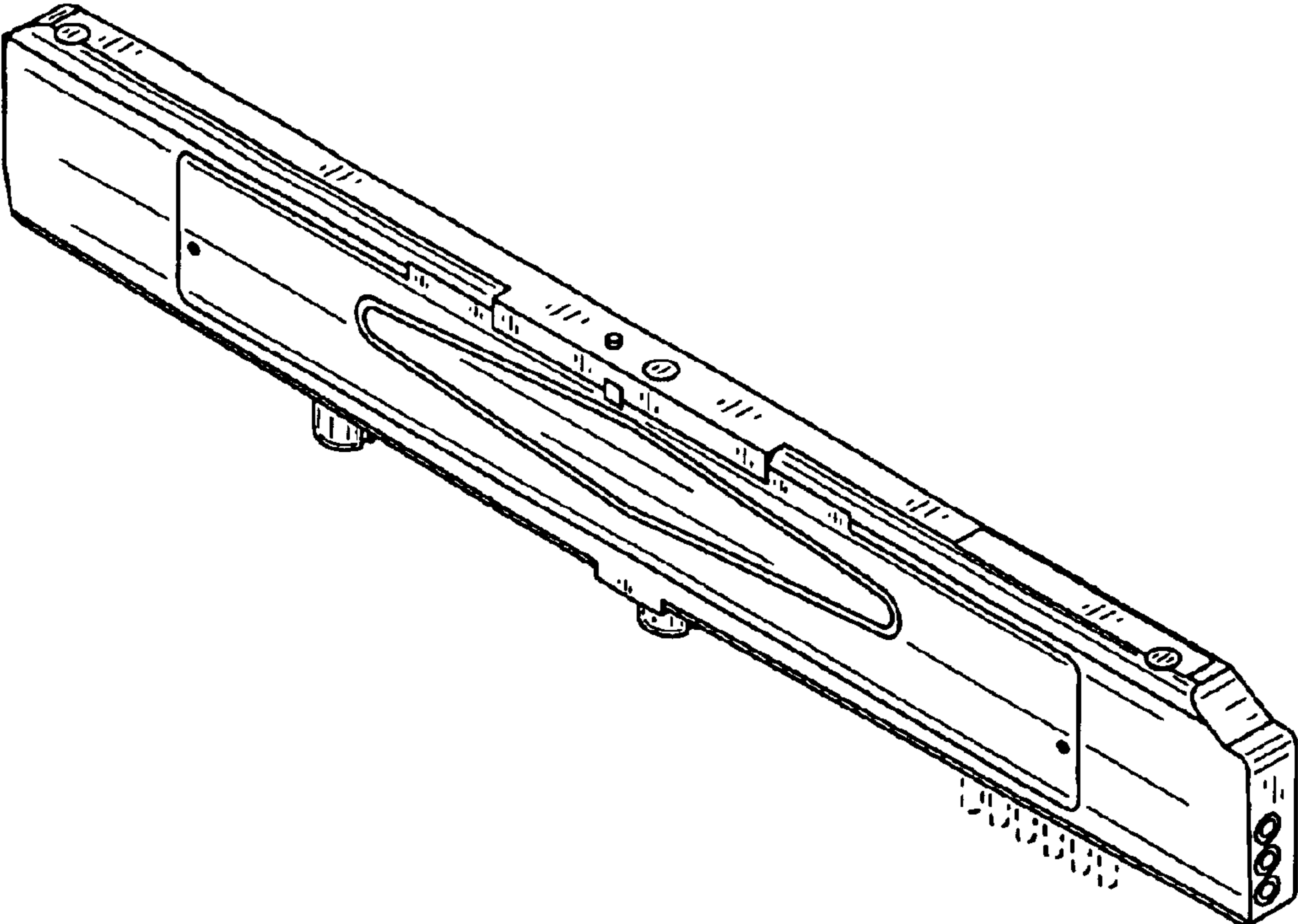


Fig.2

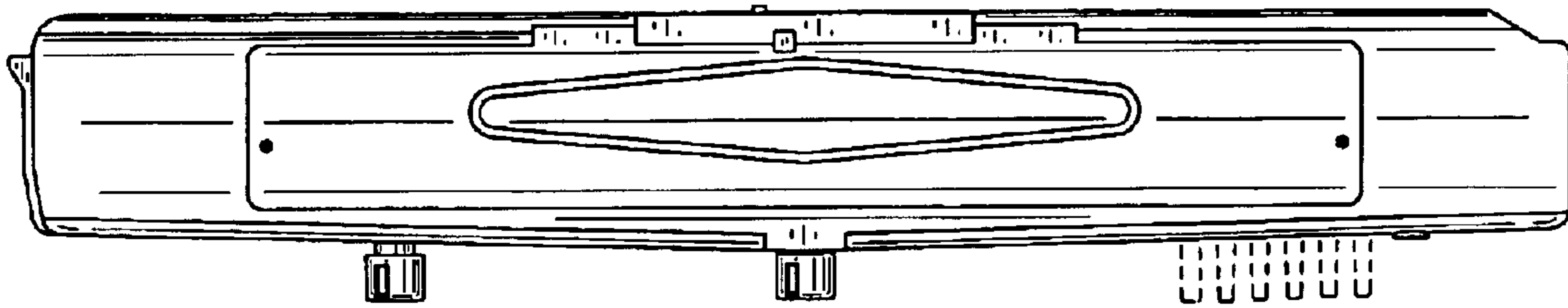


Fig.3

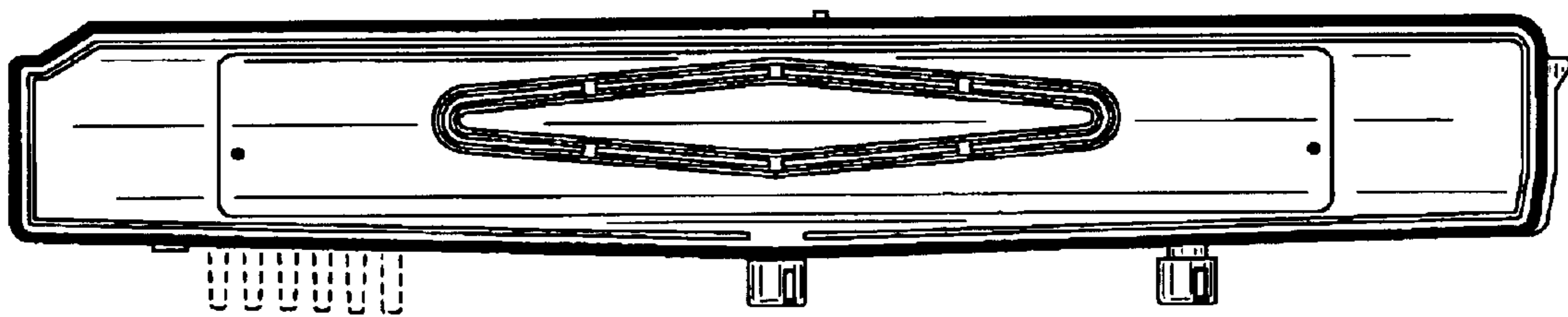


Fig.4



Fig.5



Fig.6



Fig.7

