



US00D512088S

(12) **United States Design Patent**
Yatabe

(10) **Patent No.:** **US D512,088 S**

(45) **Date of Patent:** **** Nov. 29, 2005**

(54) **DIGITAL CAMERA**

D500,069 S * 12/2004 Hayashi D16/219

(75) Inventor: **Takashi Yatabe**, Higashimurayama (JP)

* cited by examiner

(73) Assignee: **Casio Keisanki Kabushiki Kaisha**,
Tokyo (JP)

Primary Examiner—Adir Aronovich

(74) *Attorney, Agent, or Firm*—Frishauf, Holtz, Goodman
& Chick, P.C.

(**) Term: **14 Years**

(57) **CLAIM**

(21) Appl. No.: **29/210,245**

The ornamental design for a digital camera, as shown and described.

(22) Filed: **Jul. 28, 2004**

DESCRIPTION

(51) **LOC (8) Cl.** **16-05**

(52) **U.S. Cl.** **D16/219; D16/202**

(58) **Field of Search** D16/200–206,
D16/208, 217, 218, 219; 348/373–376;
358/906, 909.1; 396/535–541

FIG. 1 is a reduced scale front, left side, top perspective view of a digital camera showing my new design; FIG. 2 is a front elevational view thereof; FIG. 3 is a rear elevational view thereof; FIG. 4 is a left side view thereof; FIG. 5 is a right side view thereof; FIG. 6 is a top plan view thereof; and, FIG. 7 is a bottom plan view thereof.

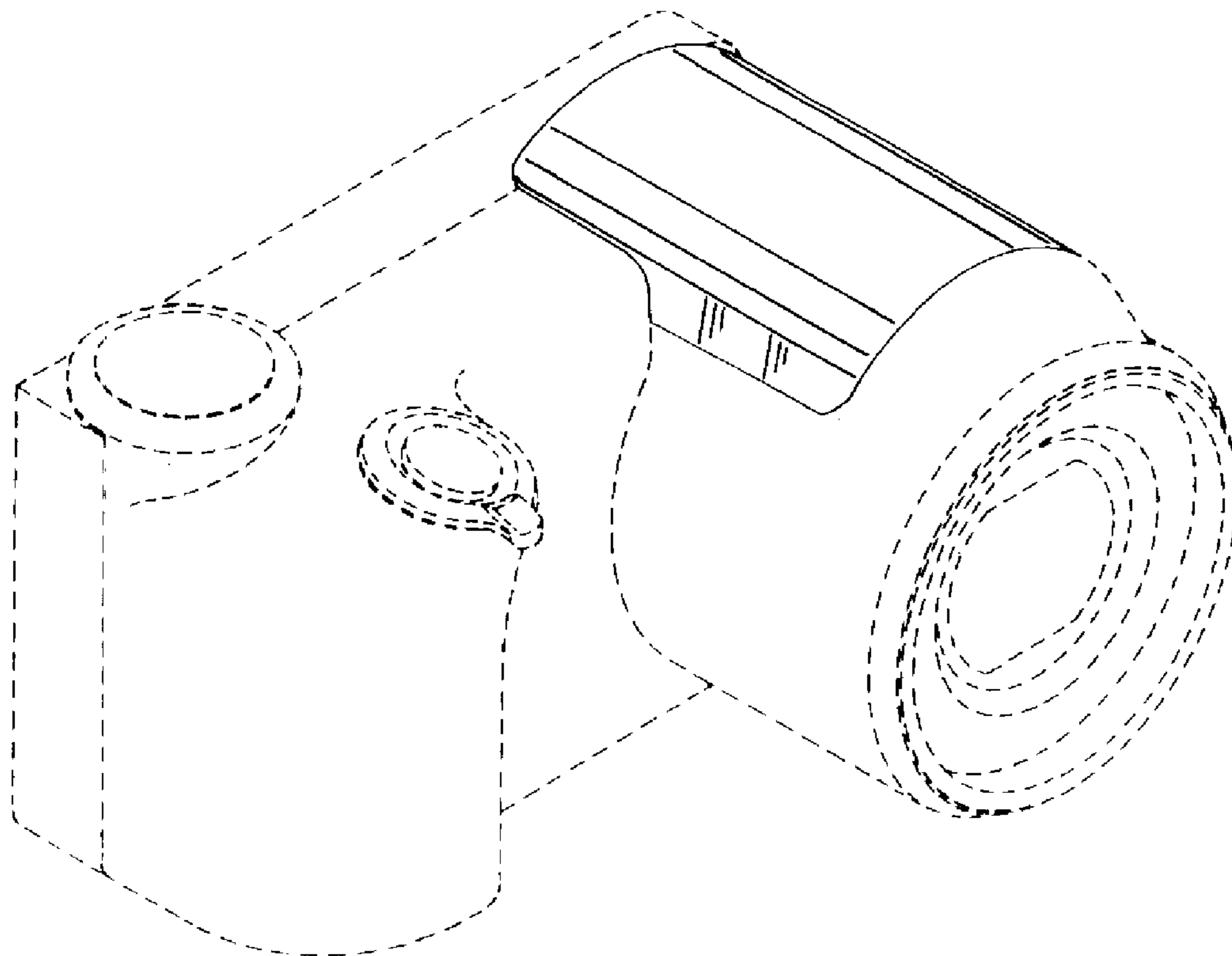
(56) **References Cited**

U.S. PATENT DOCUMENTS

- 6,033,130 A * 3/2000 Muroi et al. 396/535
- D425,095 S * 5/2000 Watarai et al. D16/206
- D446,532 S * 8/2001 Takahashi D16/202
- D456,035 S * 4/2002 Yamazaki et al. D16/202
- 6,393,225 B1 * 5/2002 Yamada 396/540

The broken line showing of portions of the digital camera are for illustrative purposes only and form no part of the claimed design.

1 Claim, 4 Drawing Sheets



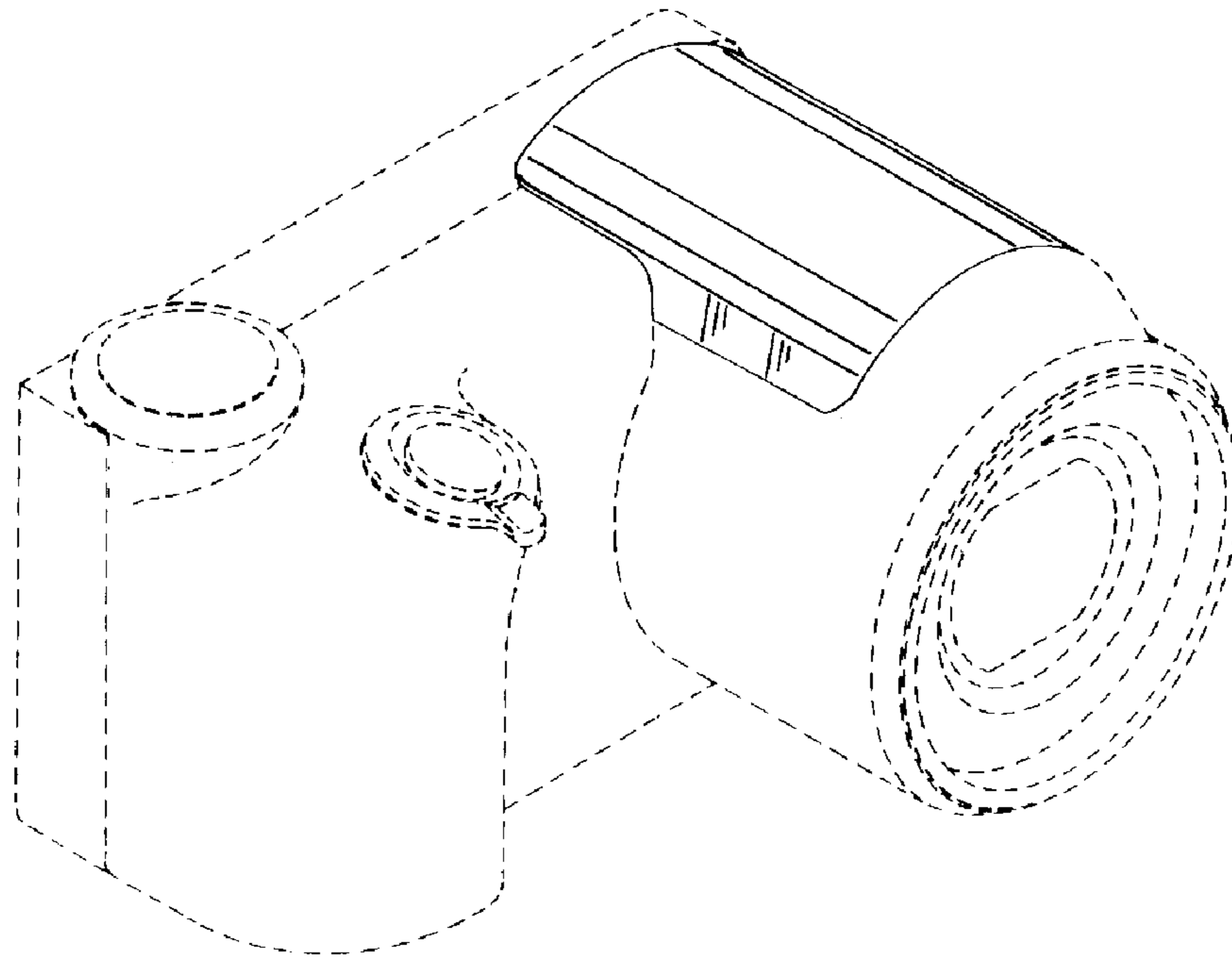


FIG. 1

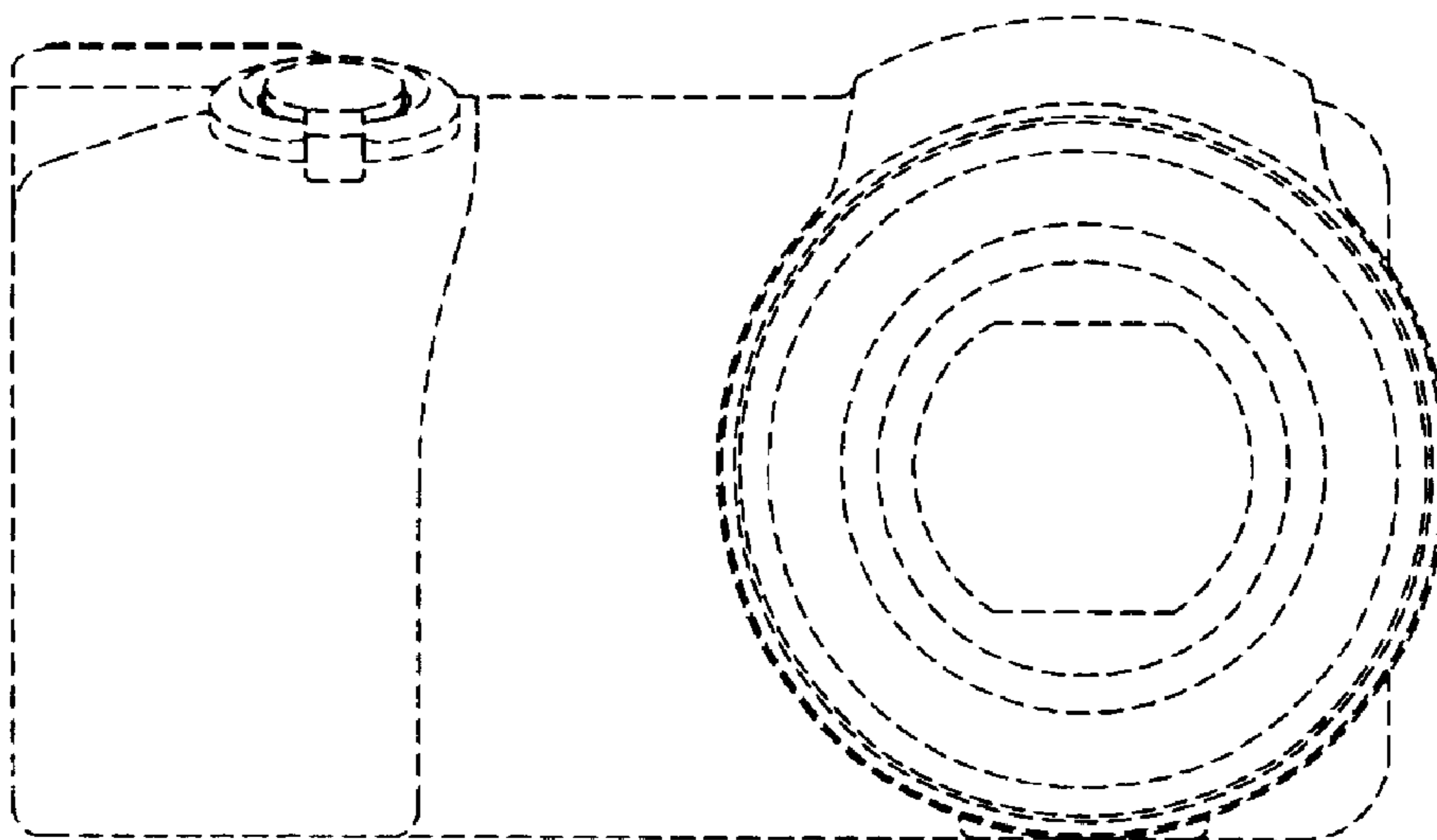


FIG. 2

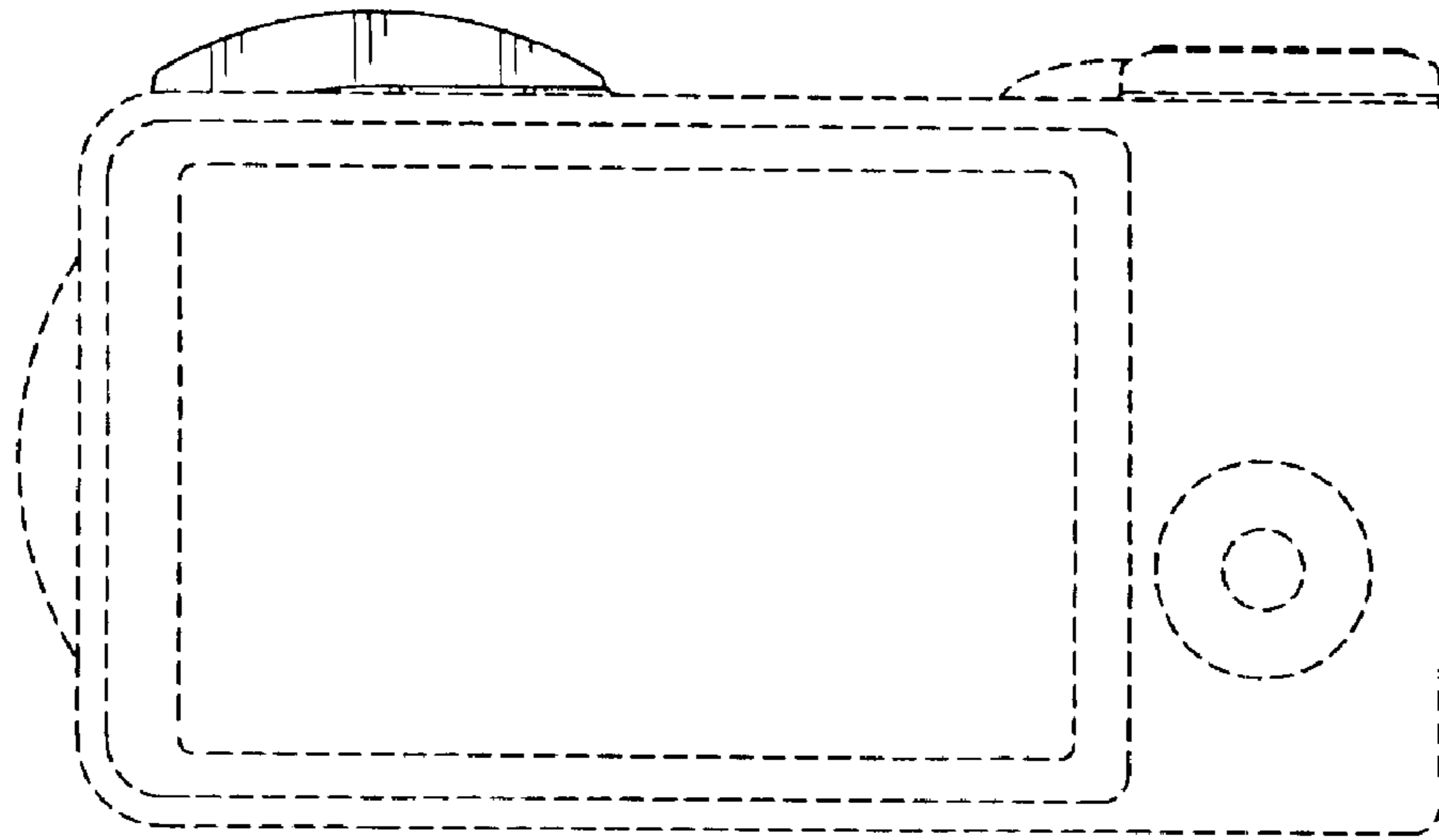


FIG. 3

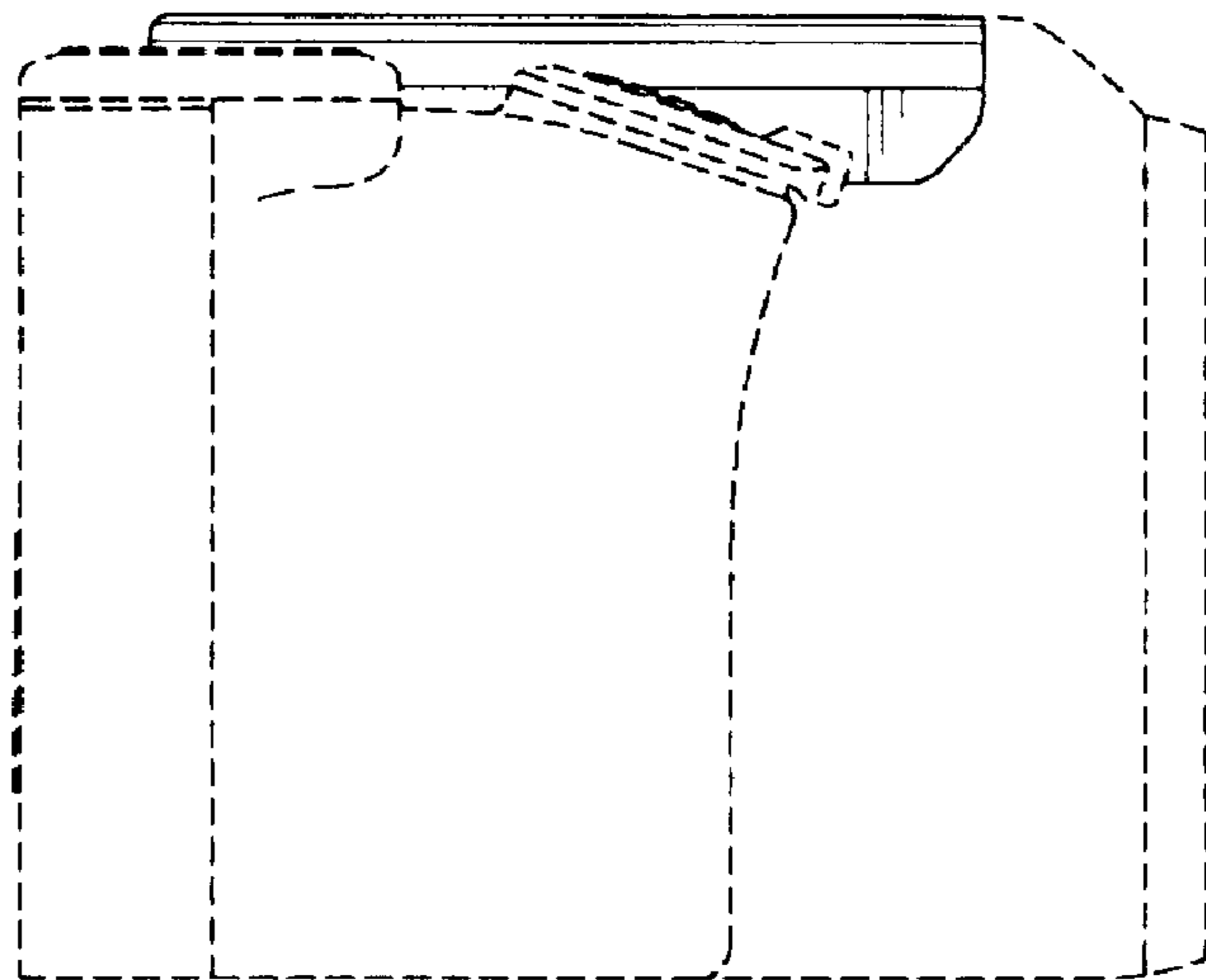


FIG. 4

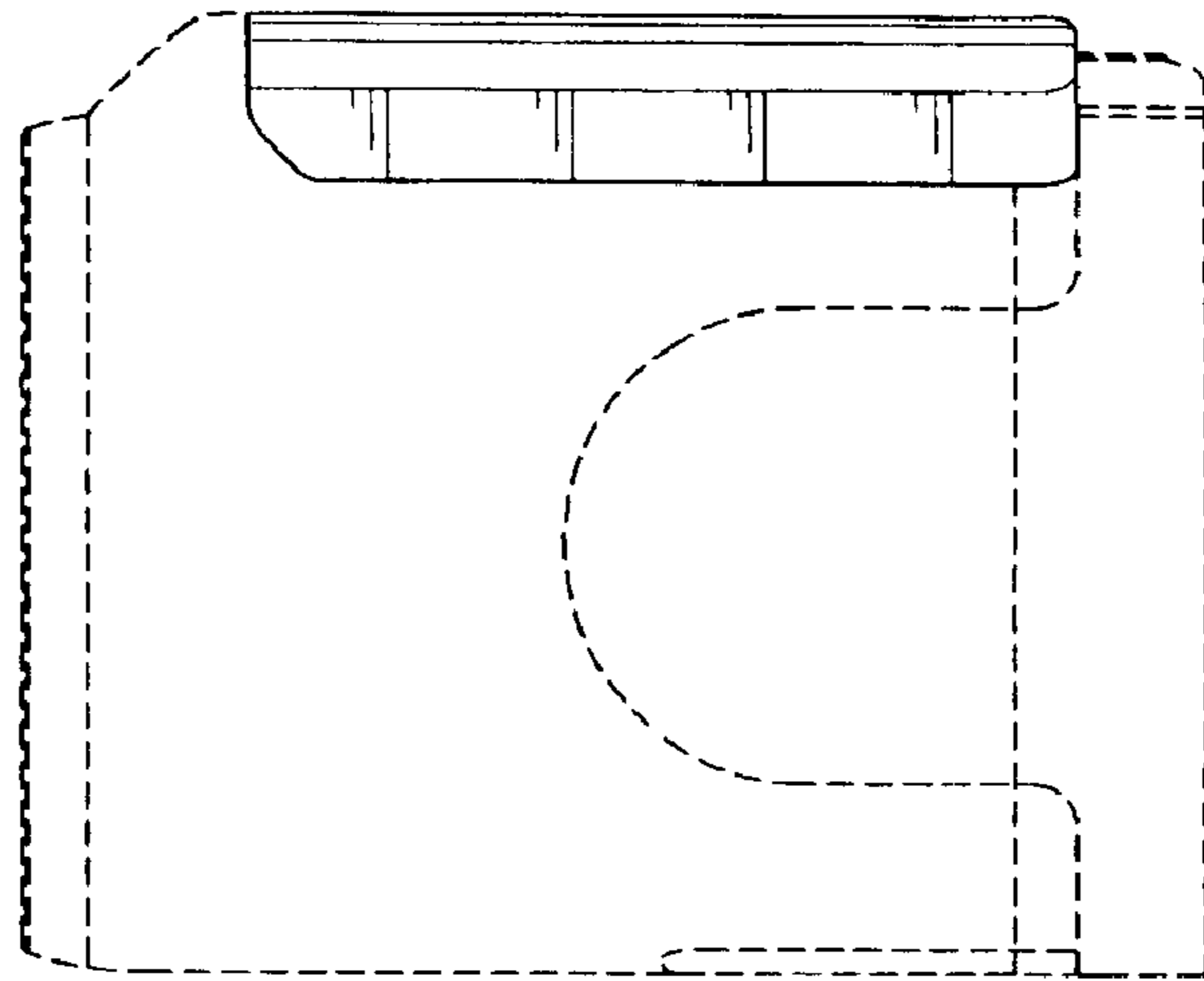


FIG. 5

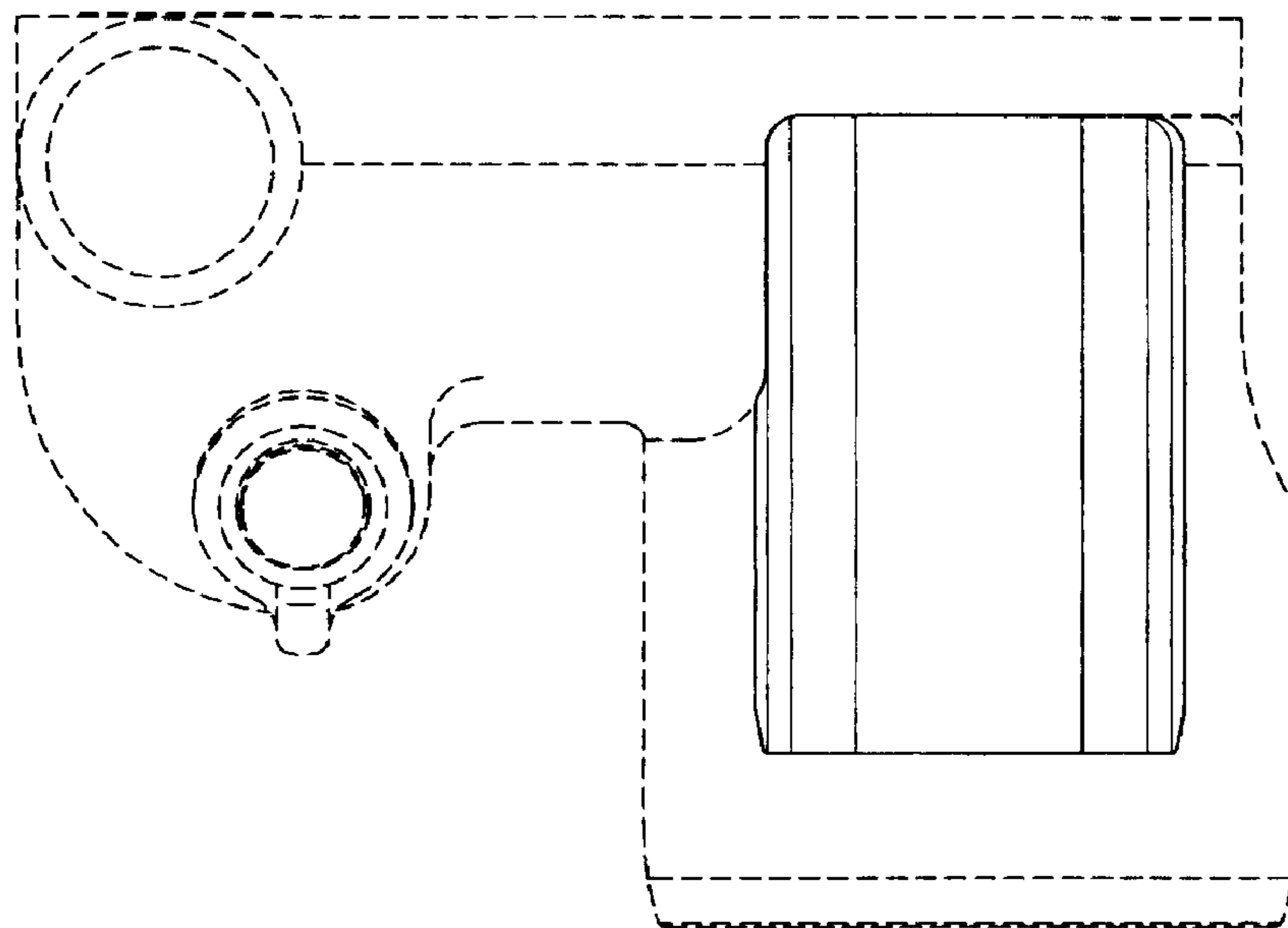


FIG. 6

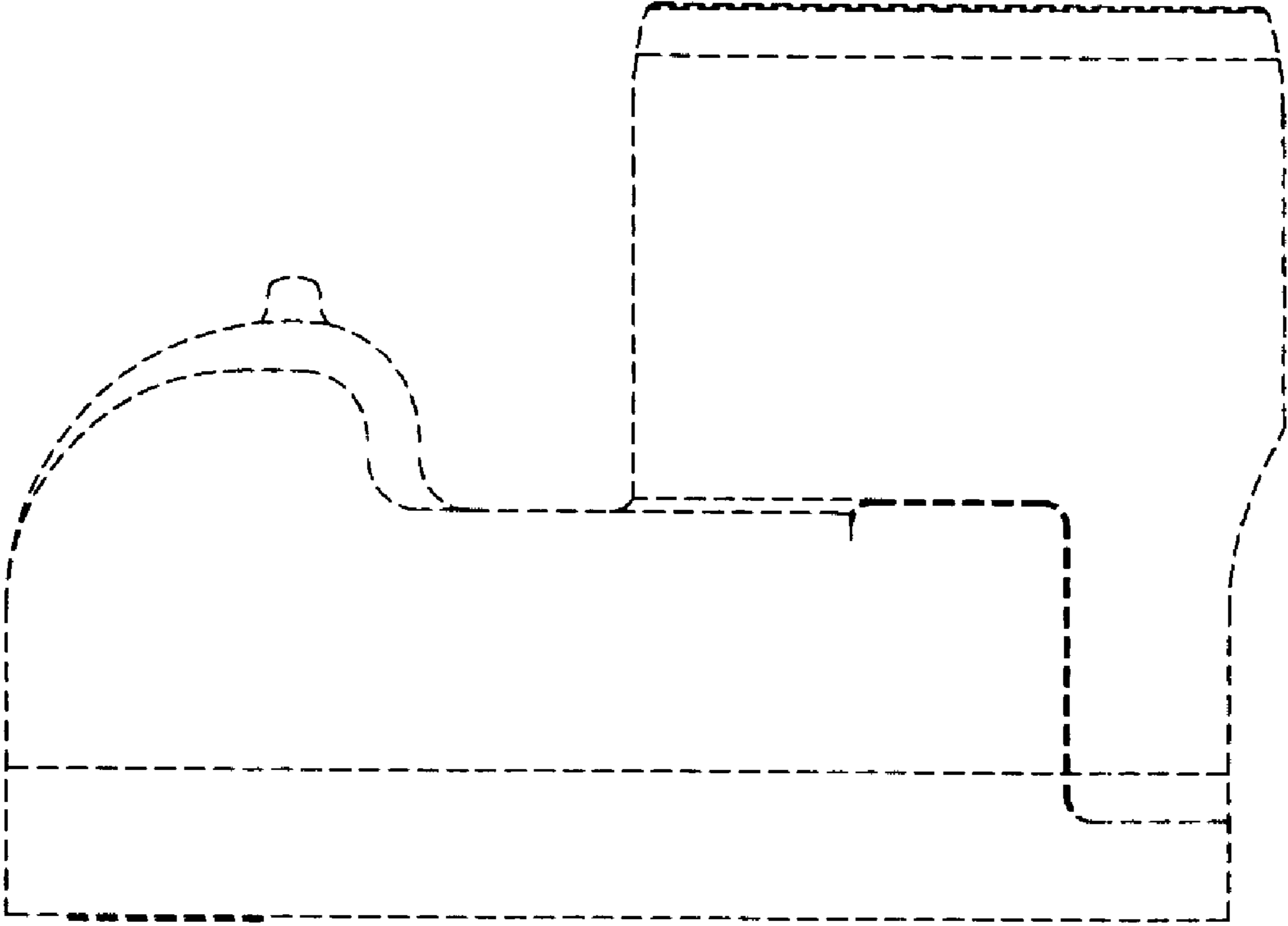


FIG. 7