



US00D512087S

(12) **United States Design Patent**
Kato et al.

(10) **Patent No.:** **US D512,087 S**
(45) **Date of Patent:** **** Nov. 29, 2005**

(54) **SURVEILLANCE TELEVISION CAMERA**

(75) Inventors: **Tetsuro Kato**, Nagoya (JP); **Eiji Togawa**, Nagoya (JP); **Shuntaro Hayashi**, Chita (JP)

(73) Assignee: **Elmo Co., Ltd.**, Aichi (JP)

(**) Term: **14 Years**

(21) Appl. No.: **29/210,408**

(22) Filed: **Jul. 30, 2004**

(30) **Foreign Application Priority Data**

Feb. 3, 2004 (JP) 2004-2688

(51) **LOC (8) Cl.** **16-01**

(52) **U.S. Cl.** **D16/203**

(58) **Field of Search** D16/200-205,
D16/208, 218; 348/143, 151, 373-376;
396/427, 535, 536-541

(56) **References Cited**

U.S. PATENT DOCUMENTS

D339,598 S * 9/1993 Shimizu D16/203

5,790,910 A * 8/1998 Haskin 396/427
D418,853 S * 1/2000 Kubota D16/203
D426,844 S * 6/2000 Fujii D16/203
D476,671 S * 7/2003 van Schaik et al. D16/203
6,830,387 B2 * 12/2004 Rife 396/427

* cited by examiner

Primary Examiner—Adir Aronovich

(74) *Attorney, Agent, or Firm*—Koda & Androlia

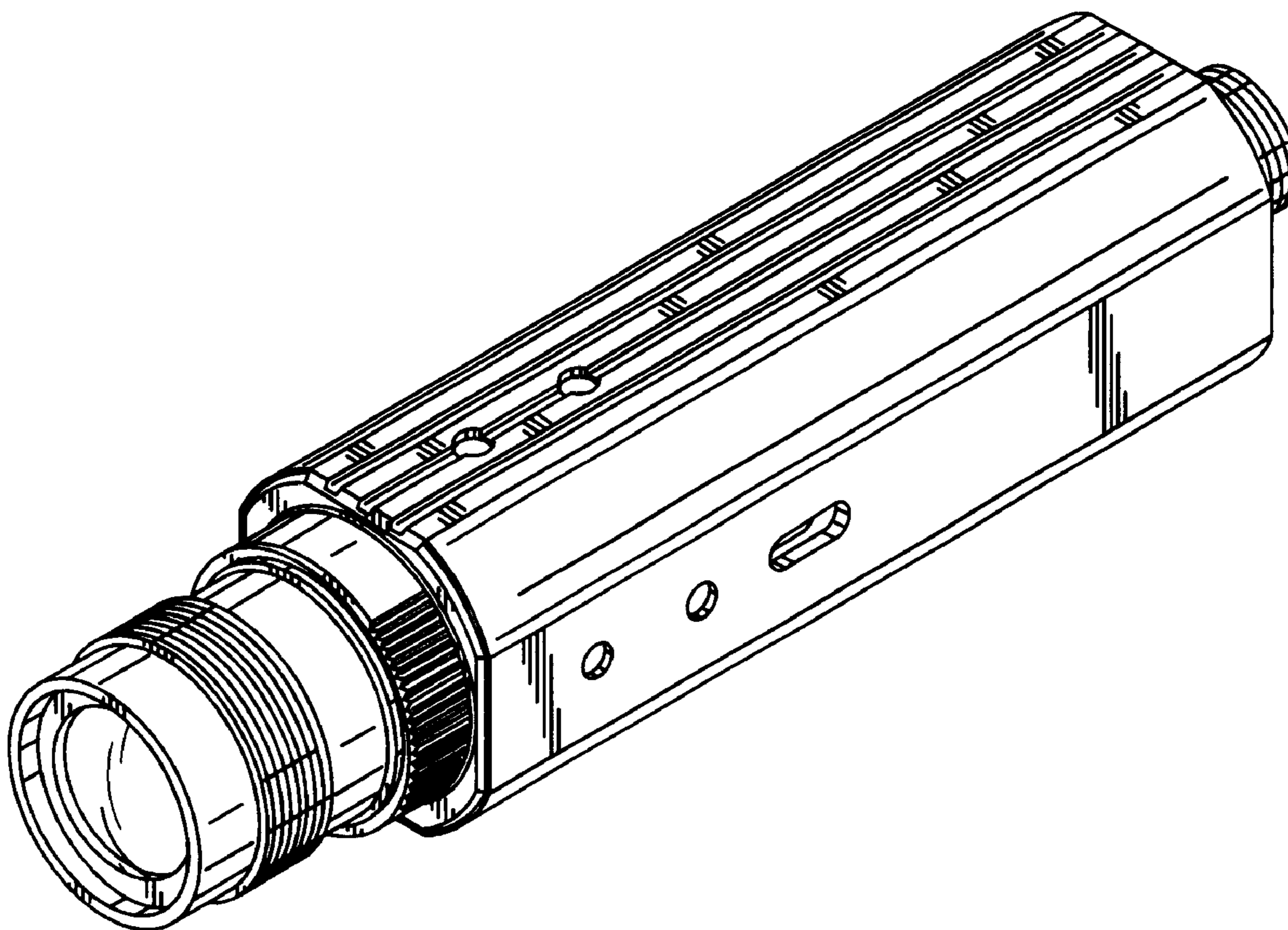
(57) **CLAIM**

The ornamental design for a surveillance television camera, as shown and described.

DESCRIPTION

FIG. 1 is a front elevational view of the surveillance television camera showing our new design; FIG. 2 is a rear elevational view thereof; FIG. 3 is a top plan view thereof; FIG. 4 is a bottom plan view thereof; FIG. 5 is a right side elevational view thereof; FIG. 6 is a left side elevational view thereof; and, FIG. 7 is a perspective view taken from the front, bottom and left side of the surveillance television camera.

1 Claim, 4 Drawing Sheets



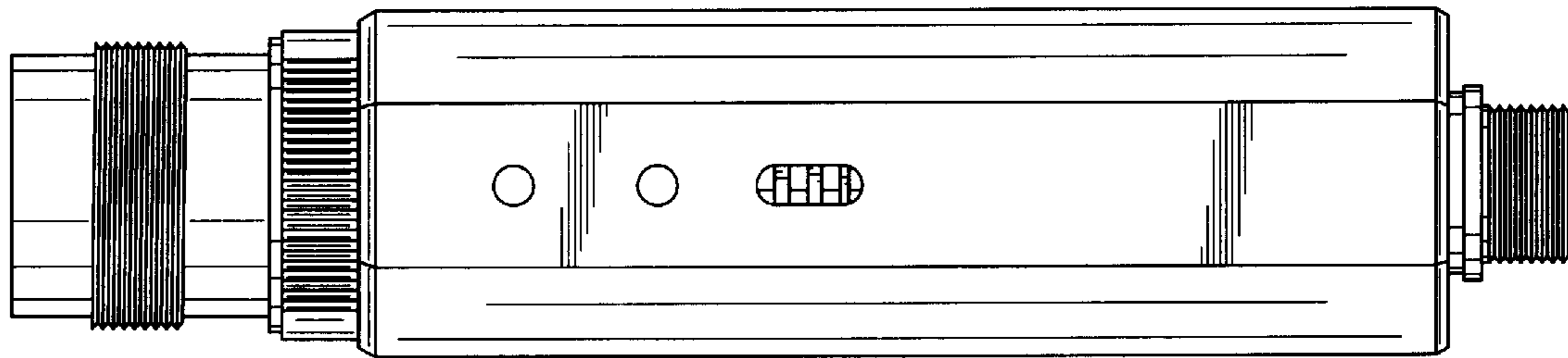


FIG. 1

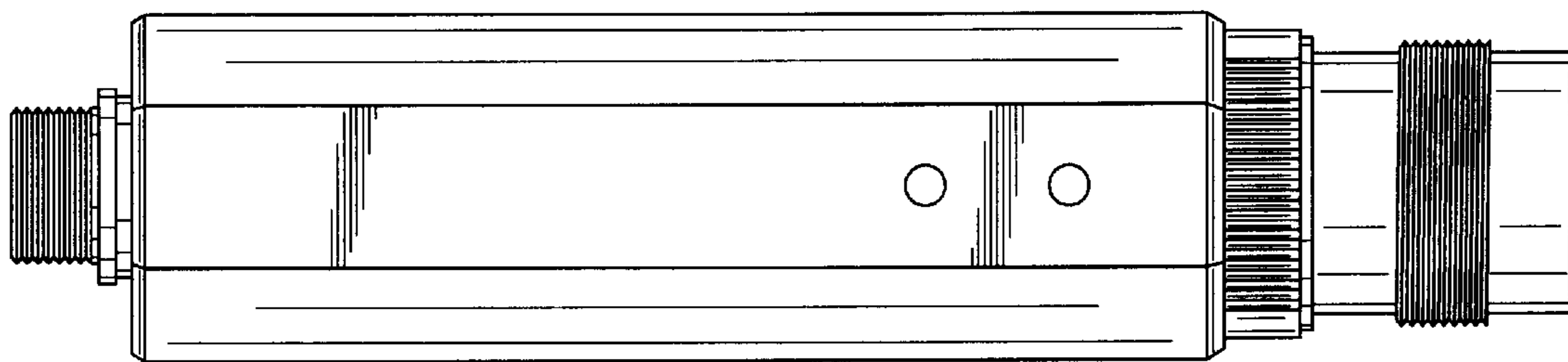


FIG. 2

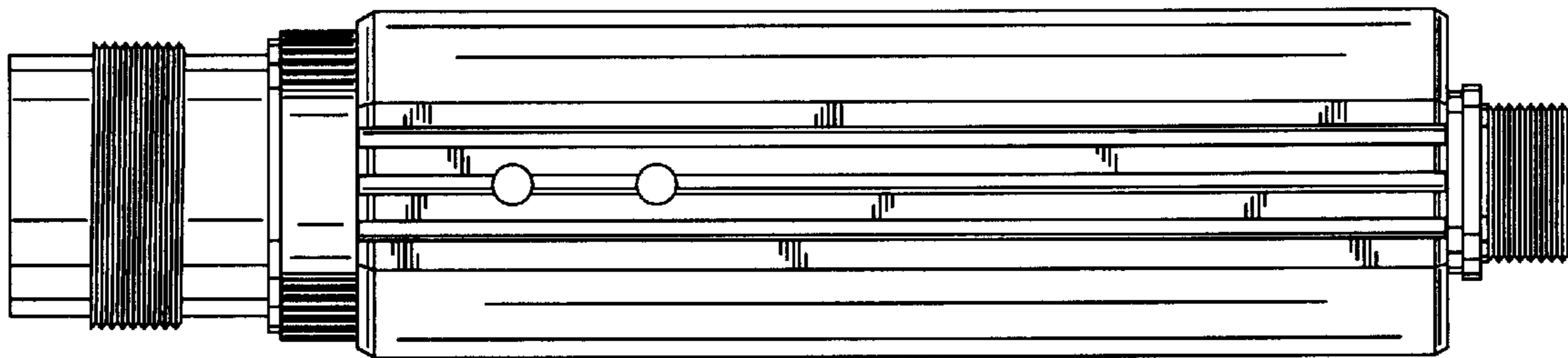


FIG. 3

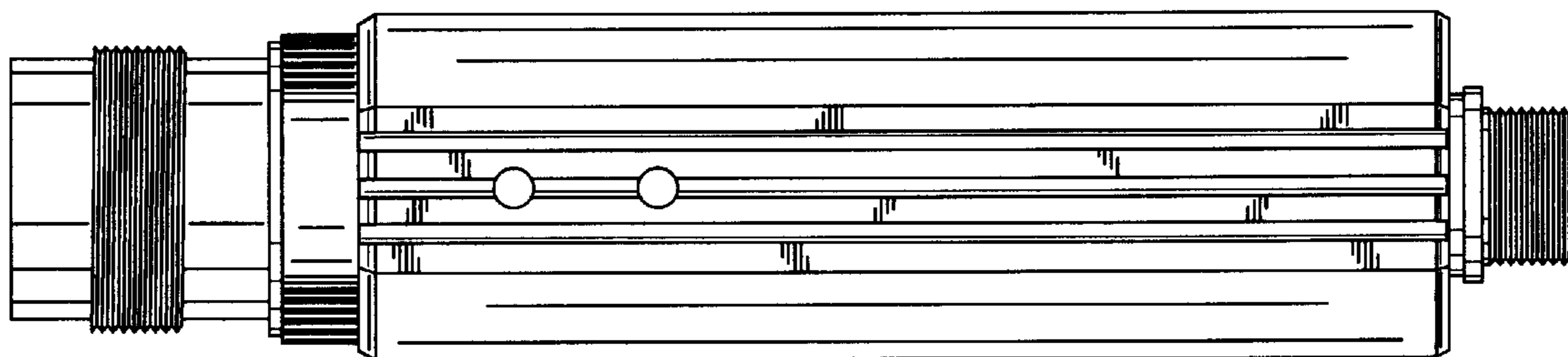


FIG. 4

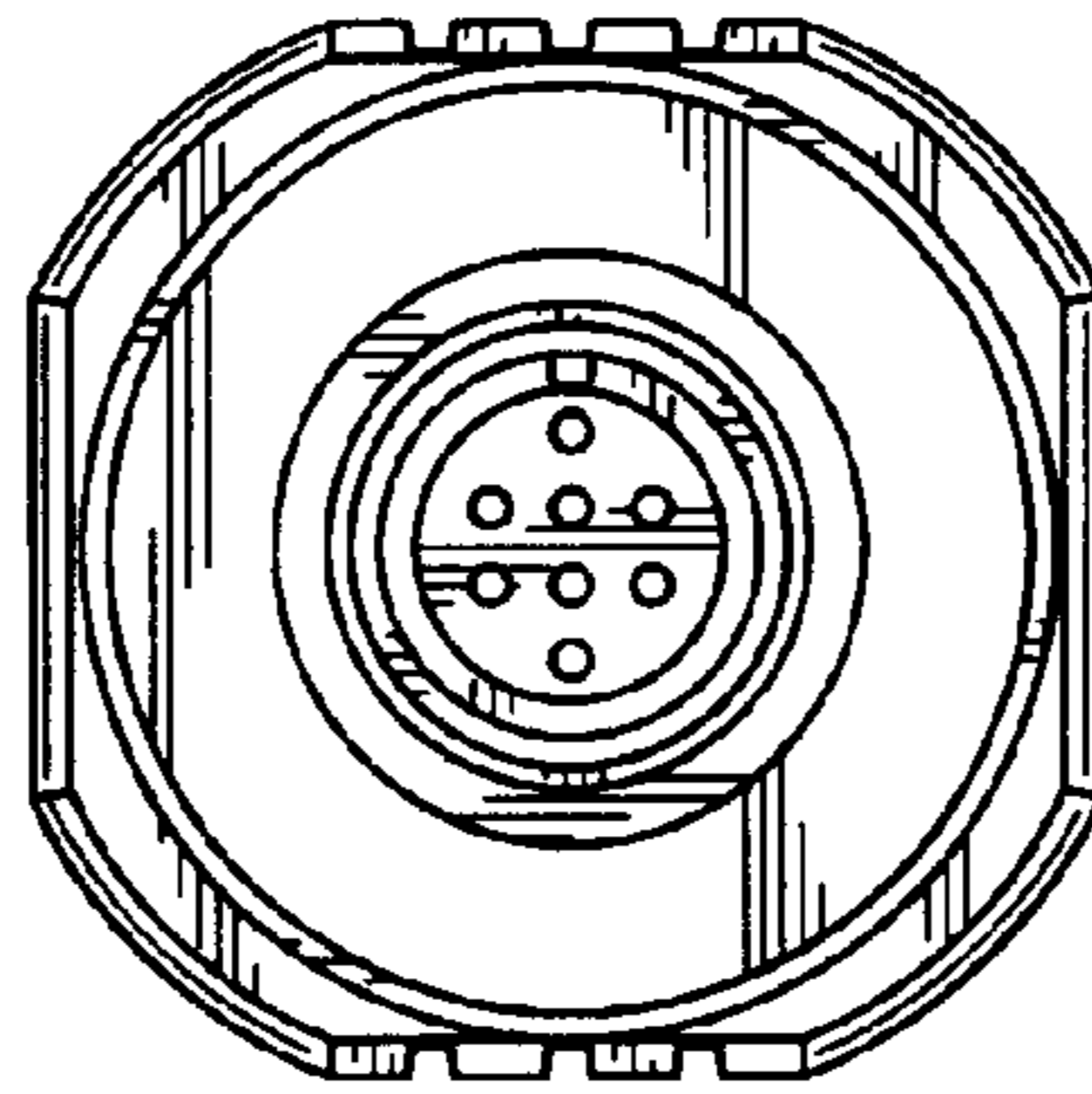


FIG. 5

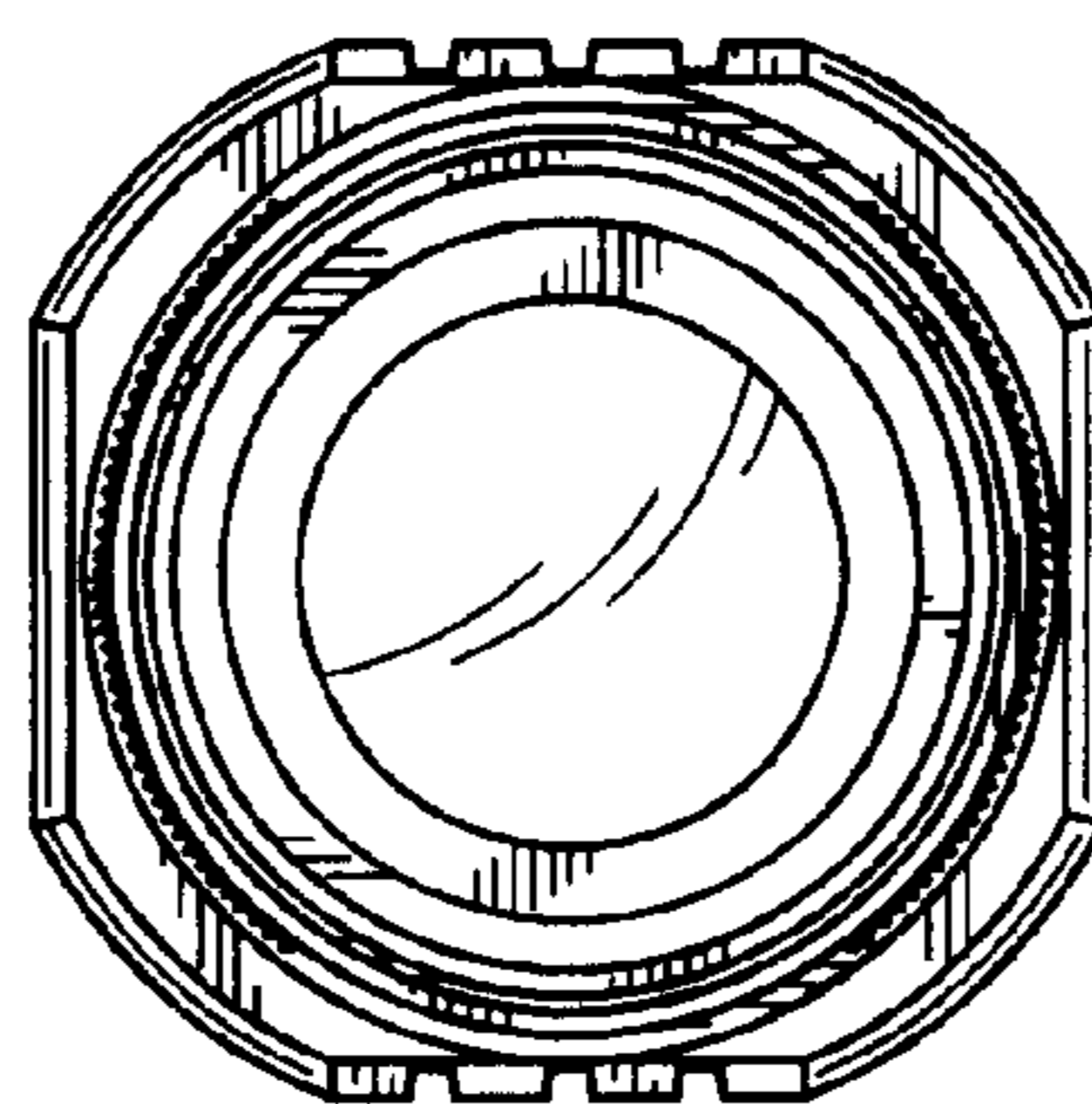


FIG. 6

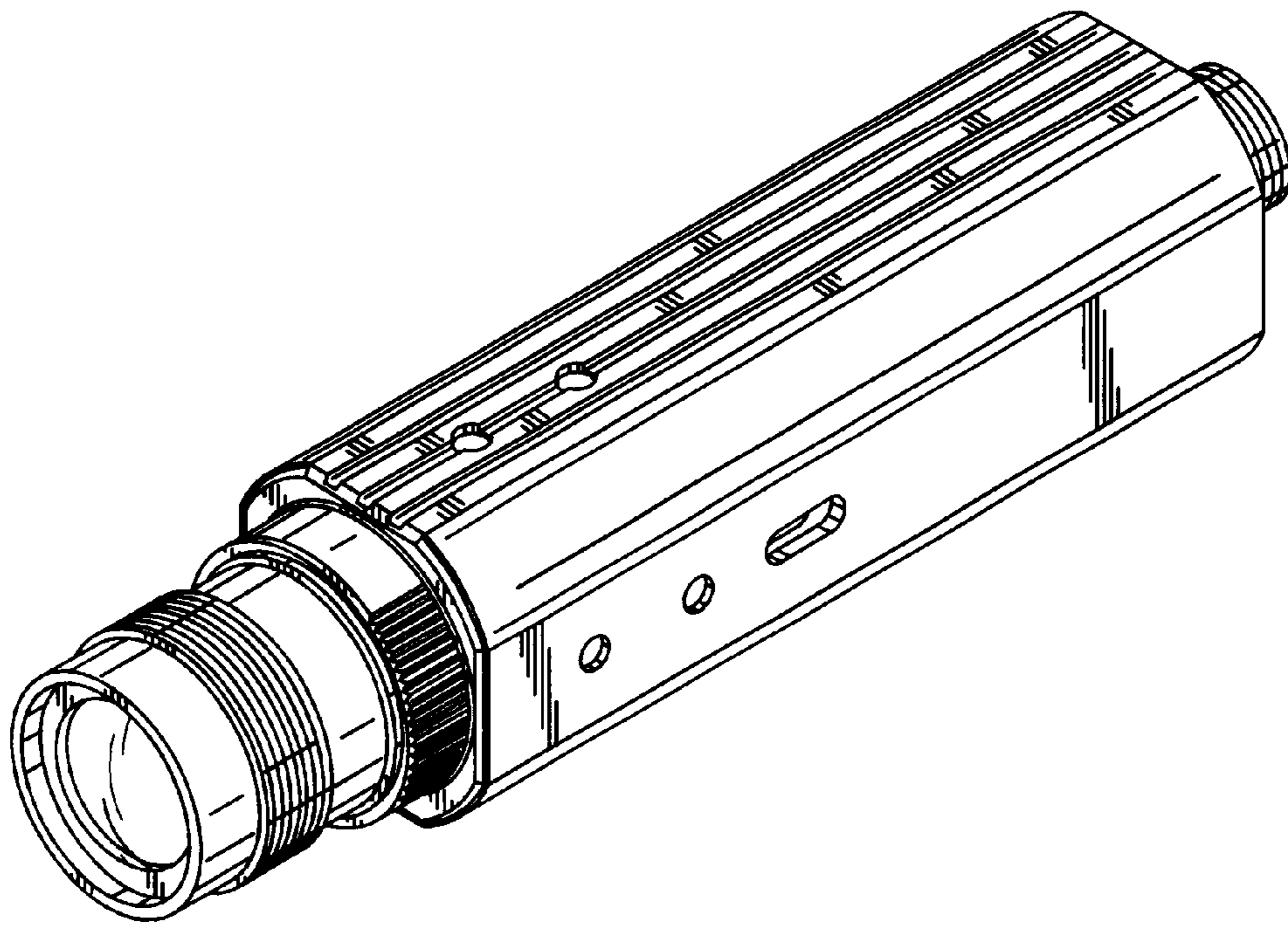


FIG. 7