

US00D512082S

(12) **United States Design Patent** (10) **Patent No.:** **US D512,082 S**
Lowery et al. (45) **Date of Patent:** **** Nov. 29, 2005**

(54) **REFRIGERATOR**

(75) Inventors: **Frederick M. Lowery**, Urbandale, IA (US); **Robert Brueckner**, Johnston, IA (US); **Kenneth C. Boyle**, Newton, IA (US); **Gary N. Petersen**, Grinnell, IA (US); **Barry P. Markwick**, Columbus, OH (US); **Michael T. Kopczewski**, Grove City, OH (US)

(73) Assignee: **Maytag Corporation**, Newton, IA (US)

(**) Term: **14 Years**

(21) Appl. No.: **29/218,373**

(22) Filed: **Dec. 1, 2004**

(51) **LOC (8) Cl.** **15-07**

(52) **U.S. Cl.** **D15/88**

(58) **Field of Search** D15/79-82, 85, D15/88, 91; D6/470; D7/605; 62/337, 371, 246-255, 3.6, 457.1, 457.4, 457.7; 220/761, 592.1-592.2; 312/116, 401

(56) **References Cited**

U.S. PATENT DOCUMENTS

1,961,022 A	*	5/1934	Teller et al.	312/329
D103,701 S	*	3/1937	Towle	D15/81
D117,452 S	*	11/1939	Kruck	D15/88
D166,716 S	*	5/1952	Sandin	D15/88
2,663,391 A		12/1953	Kuhns		
3,364,882 A		1/1968	Merrick		
4,002,384 A		1/1977	Brown et al.		
4,375,758 A		3/1983	Simmons		
4,581,902 A		4/1986	Starck et al.		
D342,744 S	*	12/1993	Renner	D15/81
5,307,647 A		5/1994	McClure		
5,319,937 A		6/1994	Fritsch et al.		
D358,823 S	*	5/1995	Grant	D15/83
5,415,010 A		5/1995	Woo		
D368,387 S		4/1996	Bureau		
5,660,296 A		8/1997	Greenwich		

D402,138 S	*	12/1998	Trulaske, Sr.	D6/470
5,941,077 A		8/1999	Safyan		
D451,936 S	*	12/2001	Ma et al.	D15/85
D452,869 S	*	1/2002	Ma et al.	D15/81
6,532,756 B1		3/2003	Wang et al.		
D491,960 S	*	6/2004	Kang et al.	D15/85
D494,606 S	*	8/2004	Krieger et al.	D15/81
6,782,711 B2		8/2004	Abfalter		

FOREIGN PATENT DOCUMENTS

JP	2004/159870 A2	11/2002
JP	2004/108773 A2	1/2004

* cited by examiner

Primary Examiner—Nanda Bondade
Assistant Examiner—Shanda C. Hill

(74) *Attorney, Agent, or Firm*—Brian J. Laurenzo; Michael C. Gilchrist; Jason M. Hunt

(57) **CLAIM**

We claim the ornamental design of a refrigerator, substantially as shown and described.

DESCRIPTION

FIG. 1 is a top, front perspective of a refrigerator showing my new design;

FIG. 2 is a front elevational view thereof;

FIG. 3 is a rear elevational view thereof;

FIG. 4 is a right side elevational view thereof;

FIG. 5 is a left side elevational view thereof;

FIG. 6 is a top plan view thereof;

FIG. 7 is a bottom plan view thereof;

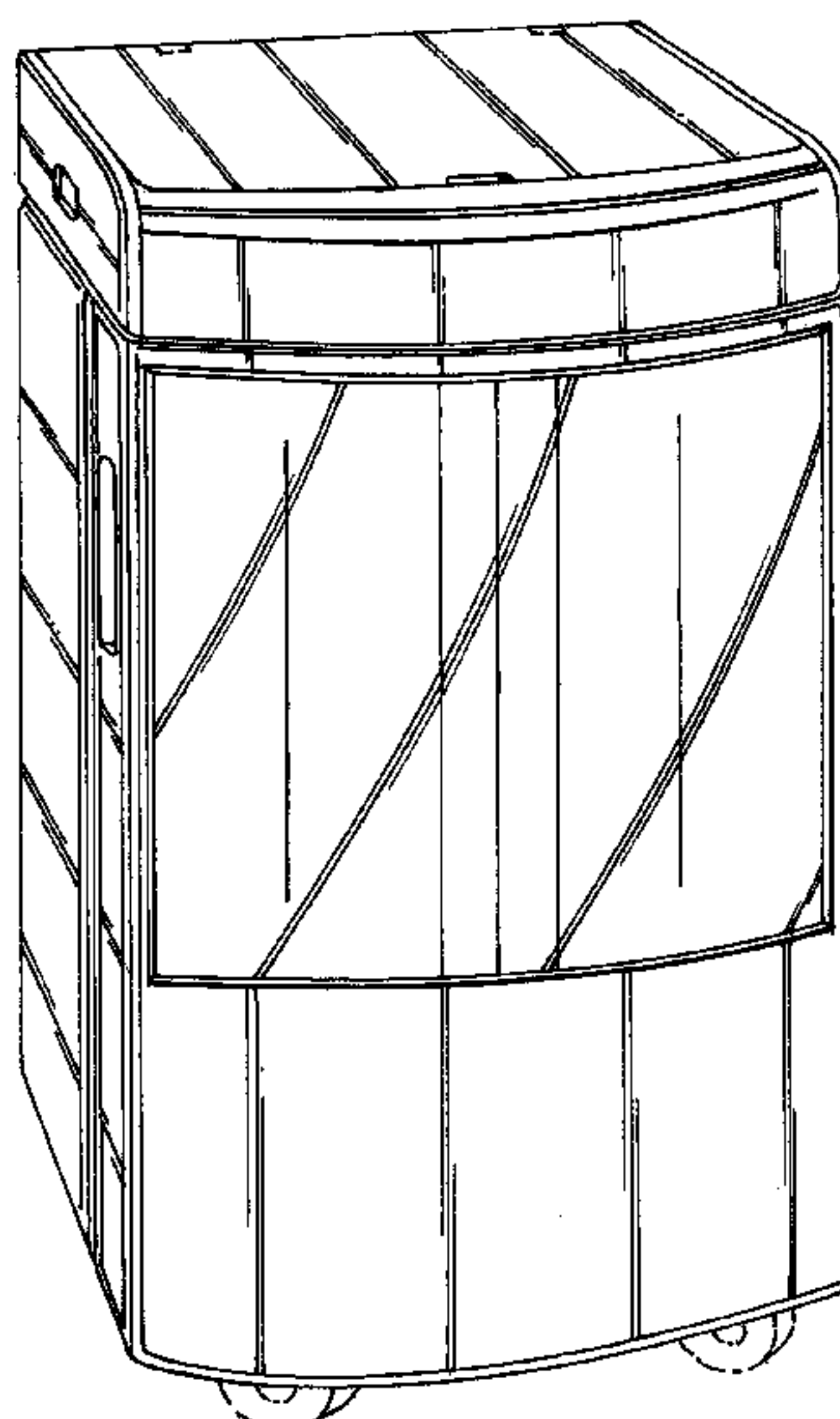
FIG. 8 is an enlarged top, rear perspective view thereof, shown in an open position; and,

FIG. 9 is a top, front perspective view thereof, shown in an open position.

FIGS. 1 and 9 are on an enlarged scale.

The broken lines shown in the drawing disclosure are for illustrative purposes only and form no part of the claimed design.

1 Claim, 6 Drawing Sheets



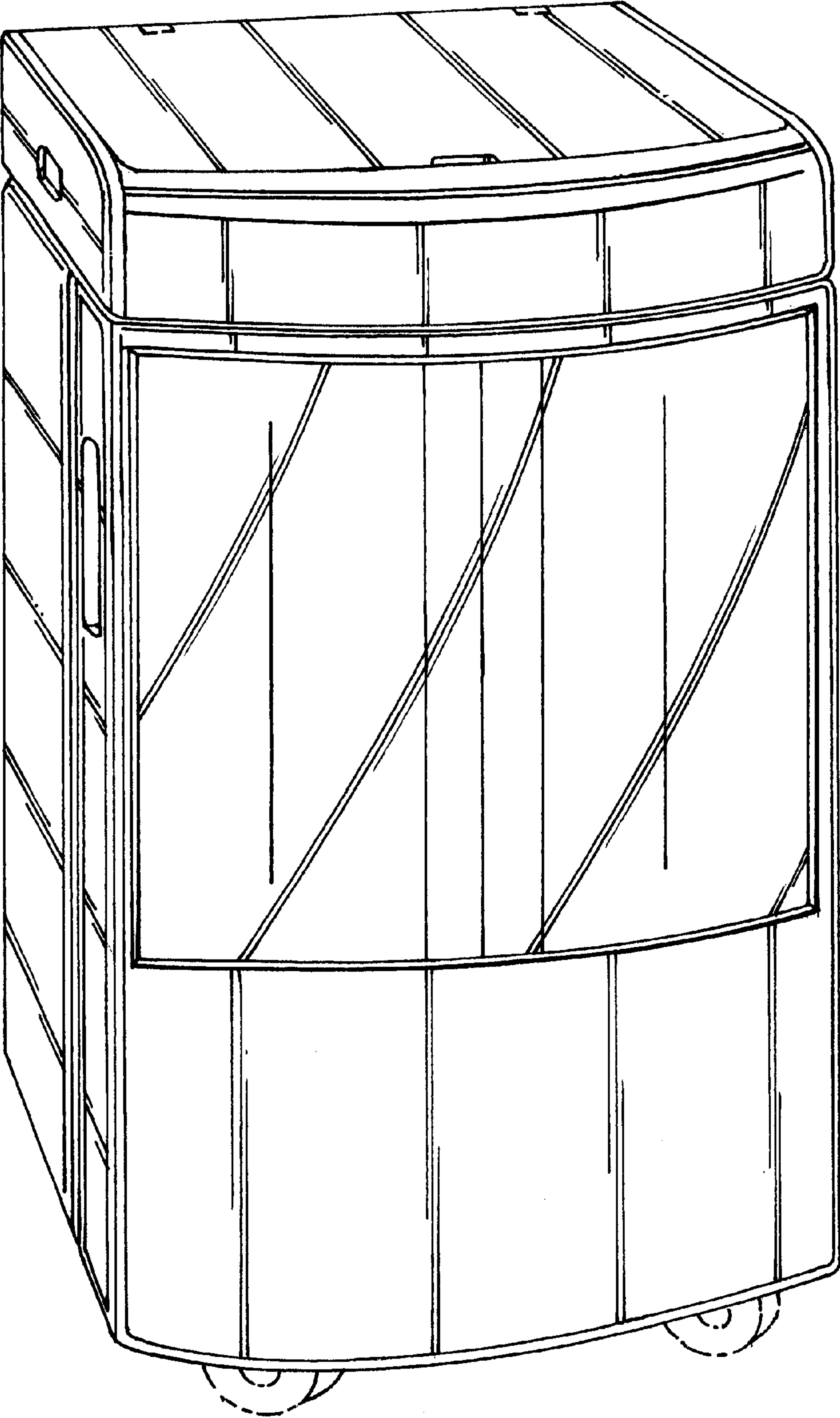


Fig. 1

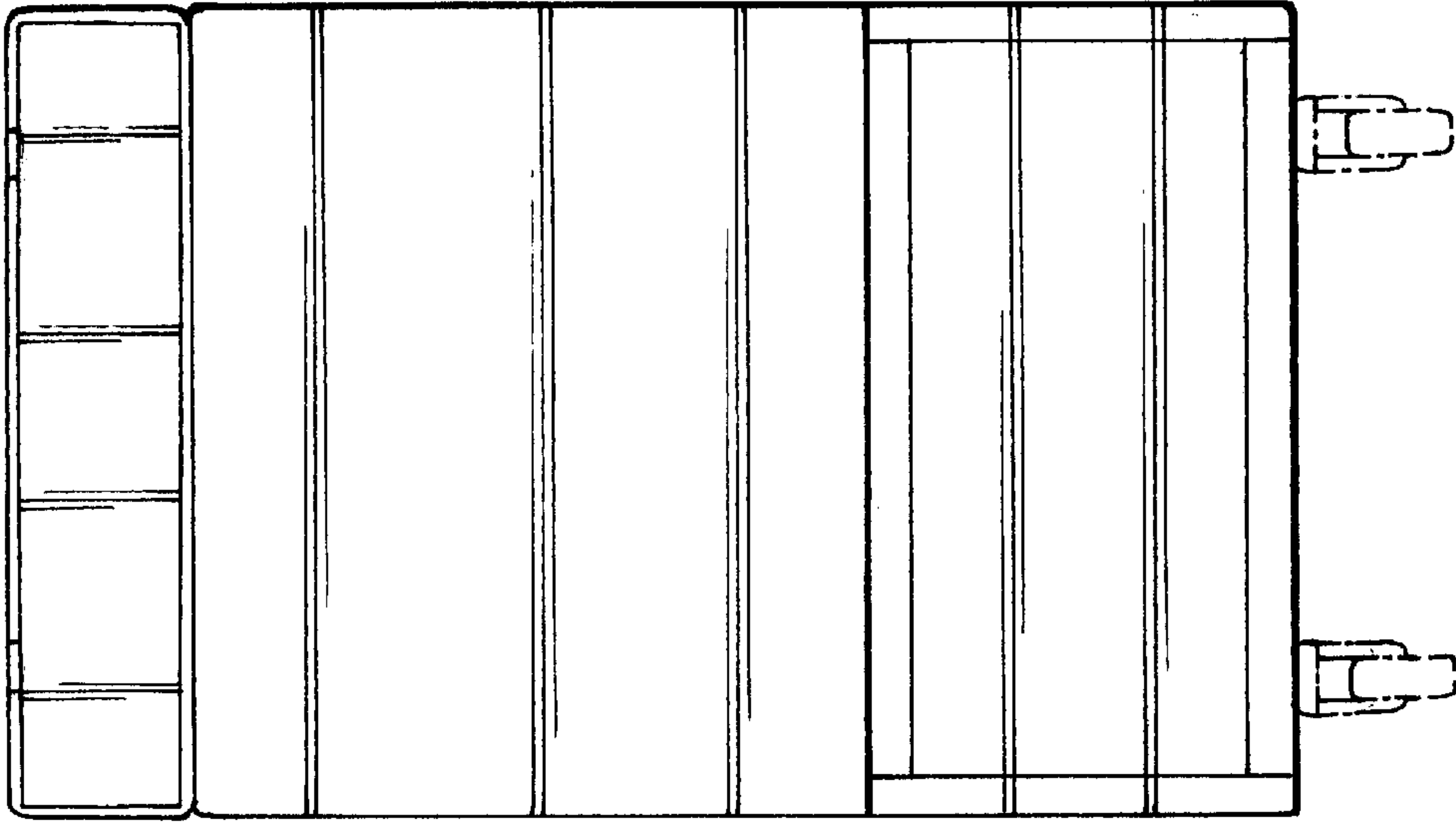


Fig. 3

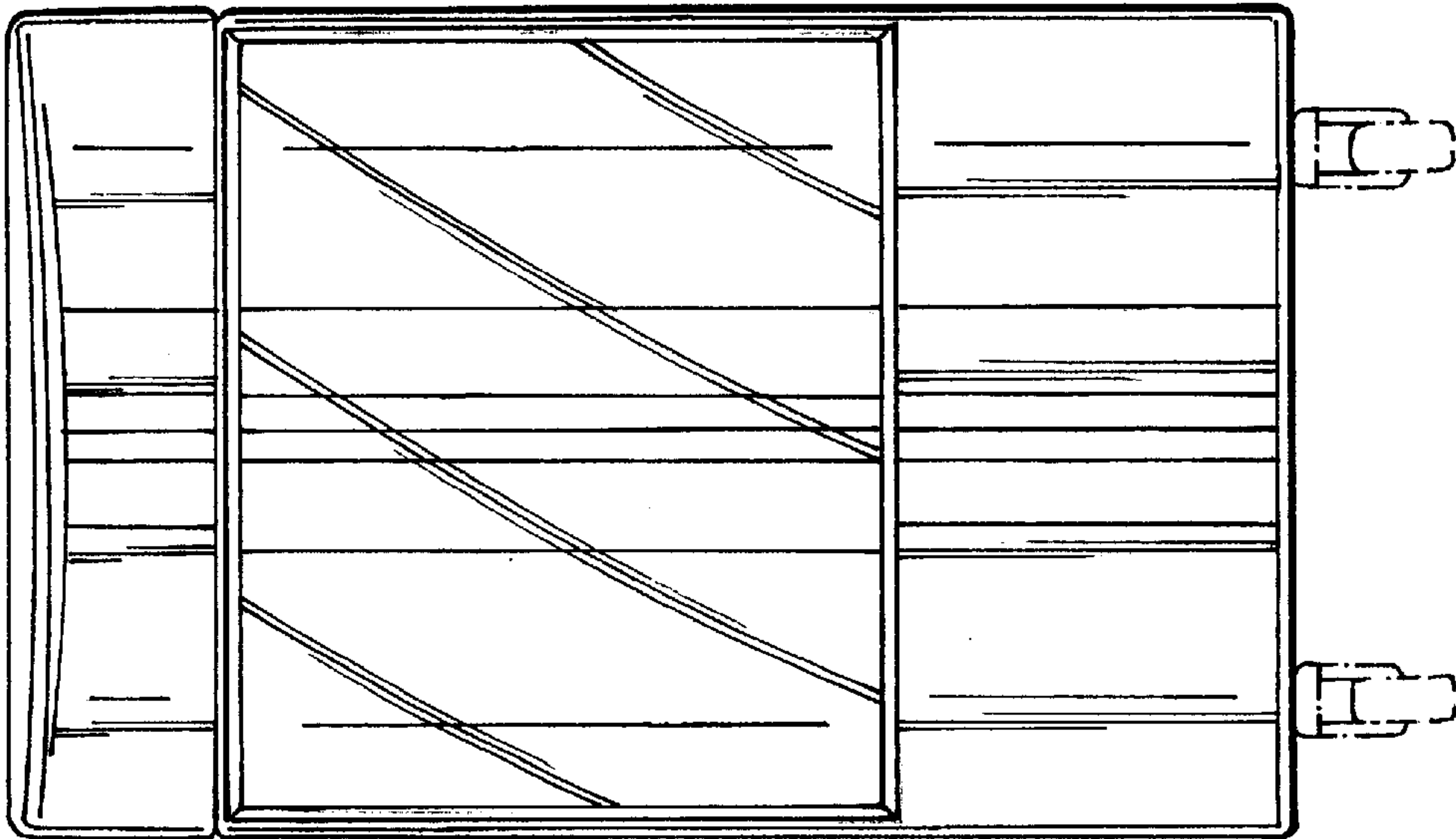


Fig. 2

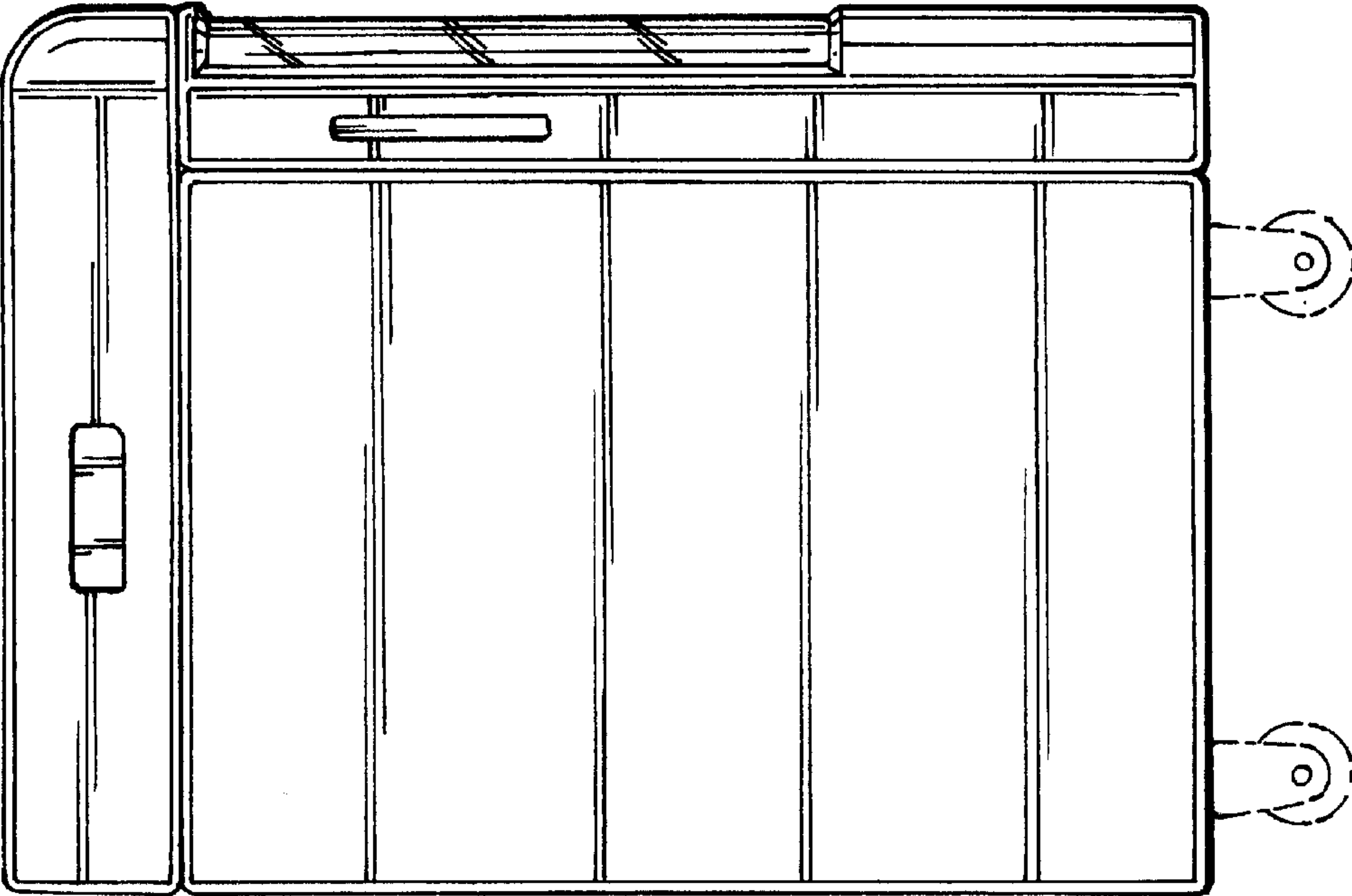


Fig. 5

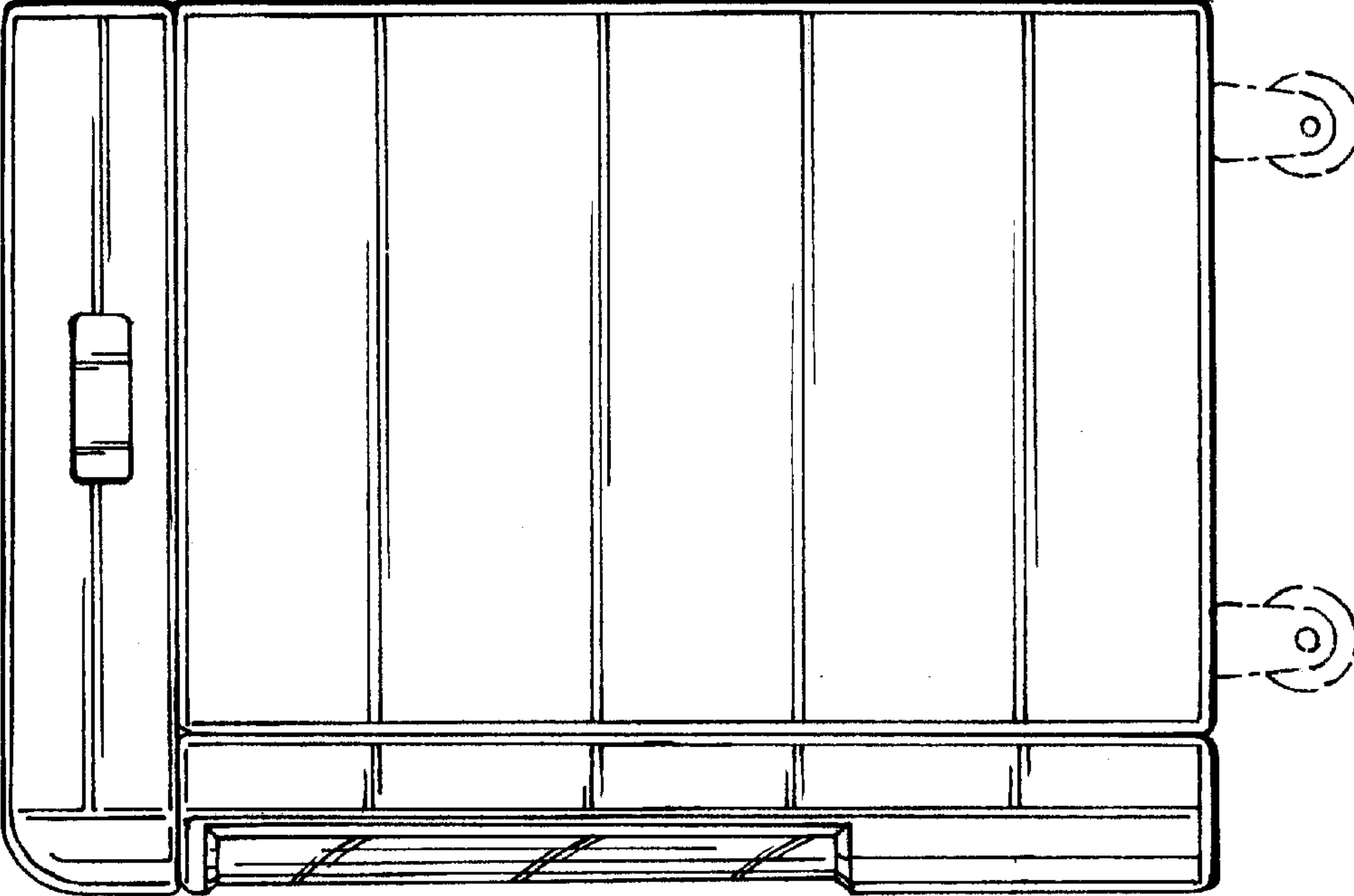


Fig. 4

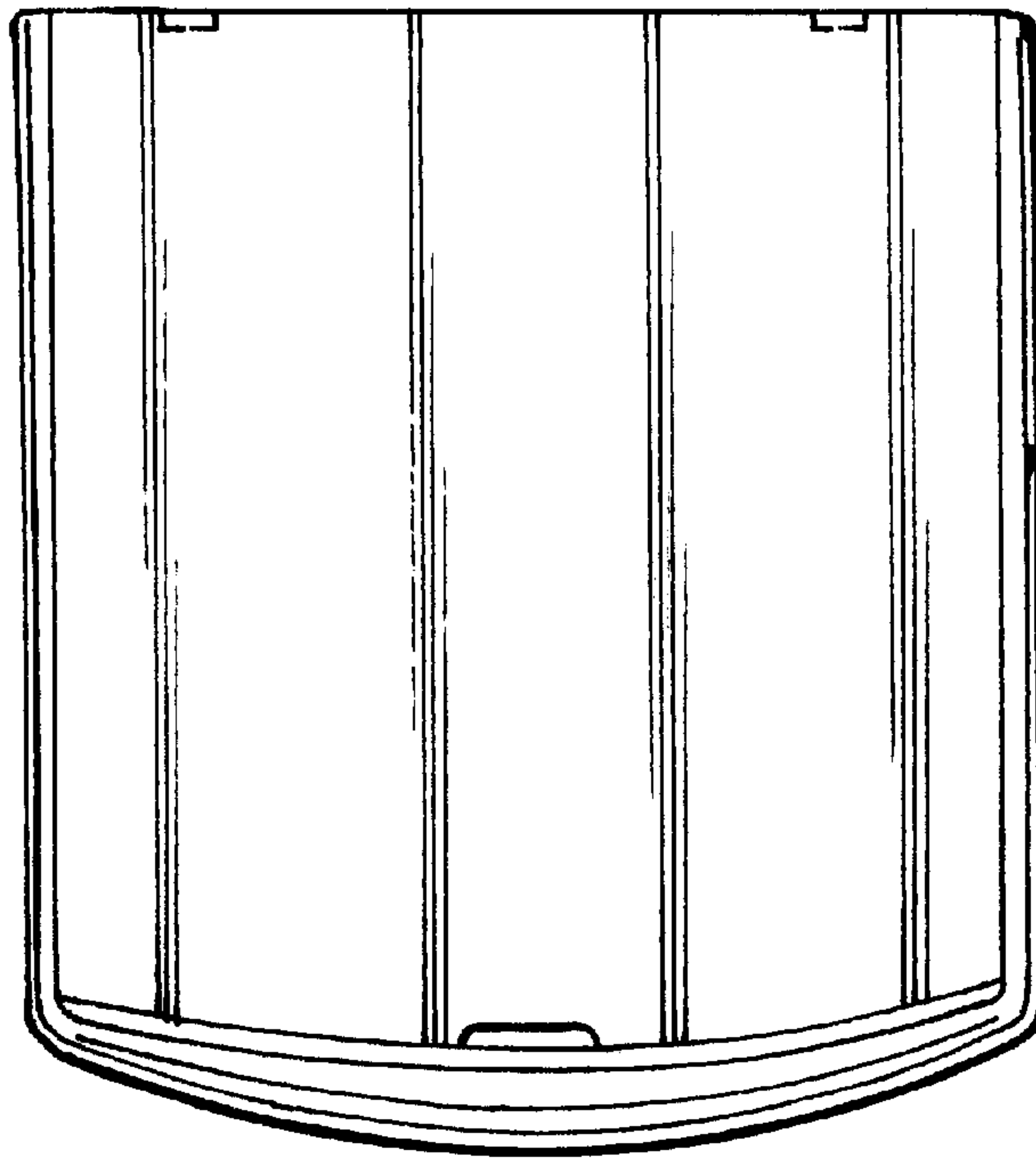


Fig. 6

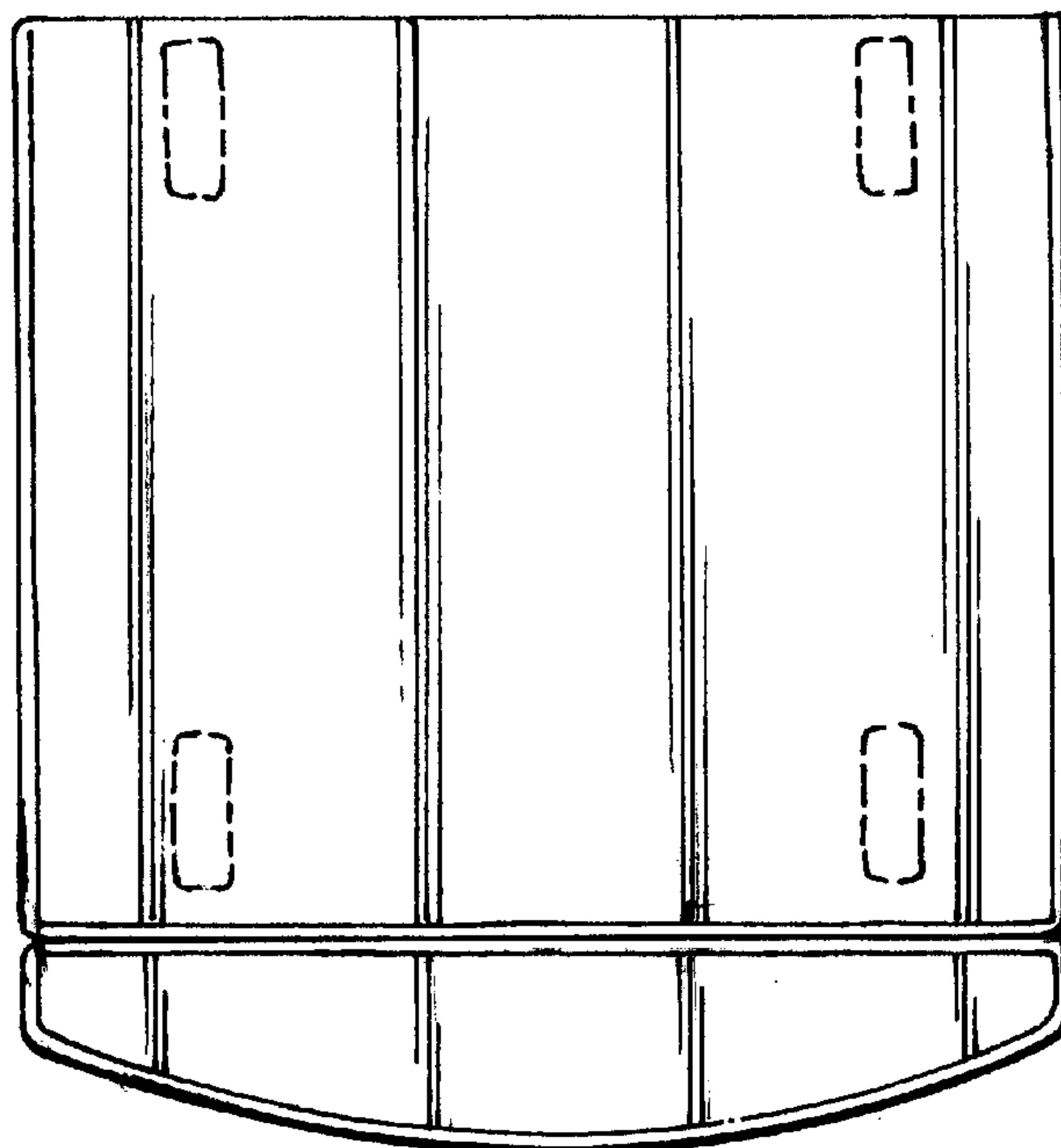


Fig. 7

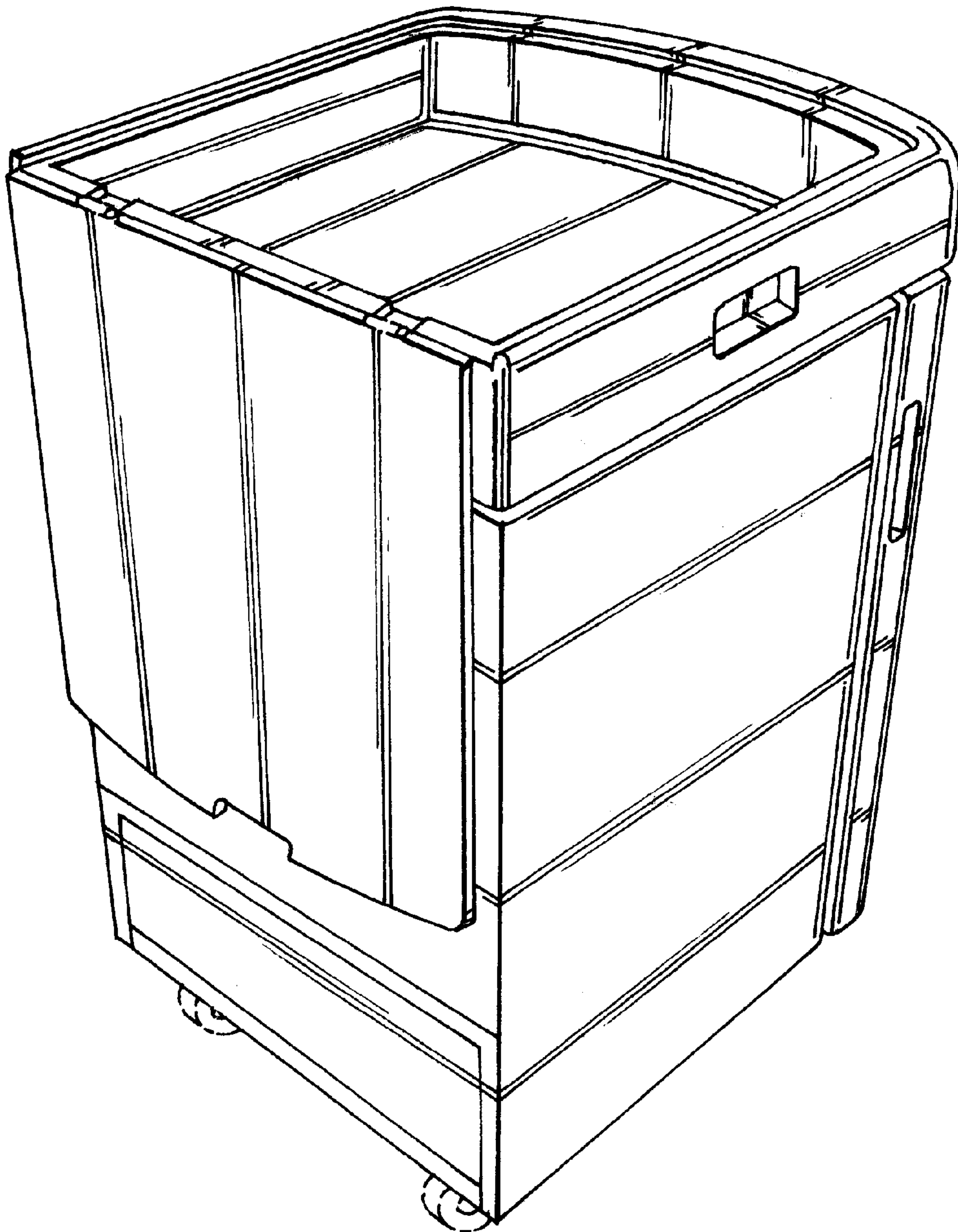


Fig. 8

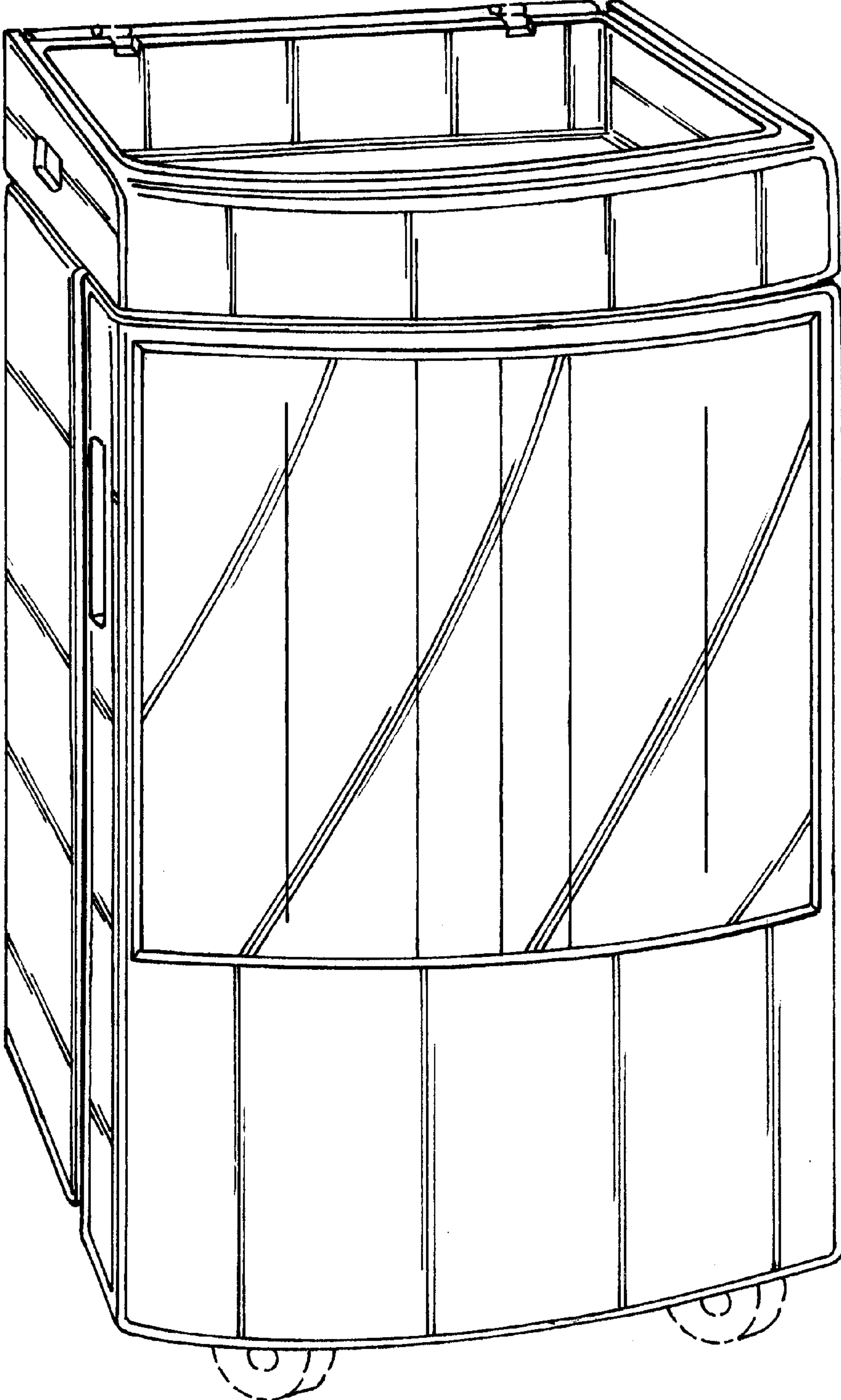


Fig. 9