



US00D512079S

(12) **United States Design Patent**
Farlow et al.

(10) **Patent No.: US D512,079 S**
(45) **Date of Patent: ** Nov. 29, 2005**

(54) **LARGE ROW CROP TRACTOR HOOD**

(75) Inventors: **Scott Keith Farlow**, Cedar Falls, IA (US); **Dennis Aaron Bowman**, Cedar Falls, IA (US); **Michael Deininger**, Royal Oak, MI (US); **William Edward Crookes**, Ann Arbor, MI (US)

(73) Assignee: **Deere & Company**, Moline, IL (US)

(**) Term: **14 Years**

(21) Appl. No.: **29/195,864**

(22) Filed: **Dec. 18, 2003**

(51) **LOC (8) Cl. 15-03**

(52) **U.S. Cl. D15/31**

(58) **Field of Search** D15/10, 22-26, D15/28, 31, 33; 180/89.1, 89.12, 900; 296/186, 187, 190, 901; 56/320.1, 320.2, 255

(56) **References Cited**

U.S. PATENT DOCUMENTS

D355,423 S	*	2/1995	Woods et al.	D15/23
D371,372 S	*	7/1996	Westimayer et al.	D15/31
D381,341 S	*	7/1997	Goebert et al.	D15/31
D389,492 S	*	1/1998	Schmidt et al.	D15/31
D413,905 S	*	9/1999	Schmidt et al.	D15/31
D419,164 S	*	1/2000	Heiler et al.	D15/31

D439,586 S	*	3/2001	Moehle et al.	D15/33
D451,106 S	*	11/2001	Crookes et al.	D15/31
D458,944 S	*	6/2002	Crookes et al.	D15/31
D466,531 S	*	12/2002	Hohnl et al.	D15/31
D483,383 S	*	12/2003	Crookes et al.	D15/31

* cited by examiner

Primary Examiner—Mitchell Siegel

(57) **CLAIM**

The ornamental design for a large row crop tractor hood, as shown and described.

DESCRIPTION

FIG. 1 is a perspective view of a large row crop tractor hood showing our new design.

FIG. 2 is an elevational view of the large row crop tractor hood design of FIG. 1.

FIG. 3 is a elevational view of the large row crop tractor hood design of FIG. 1.

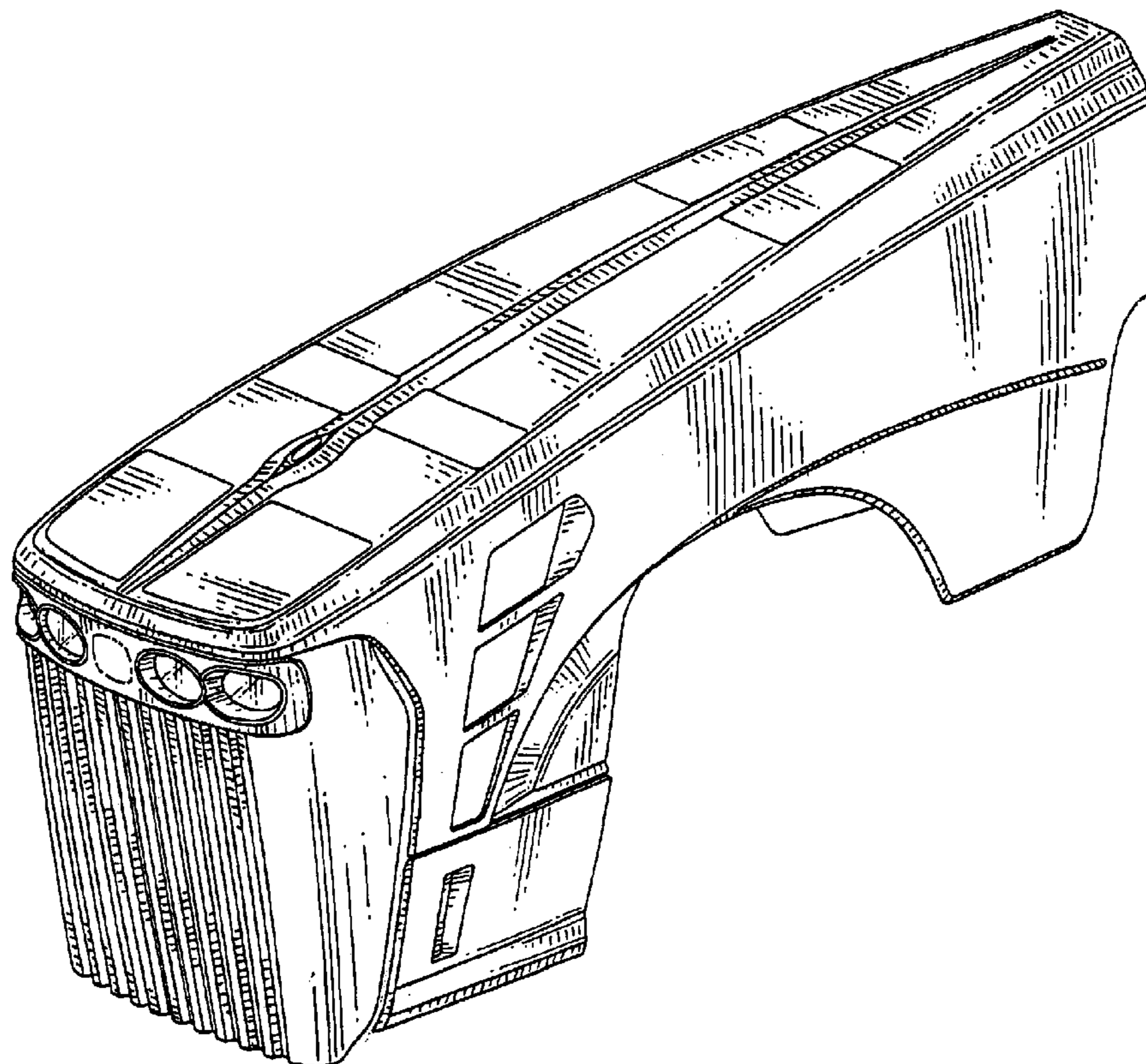
FIG. 4 is a plan view of the large row crop tractor hood design of FIG. 1.

FIG. 5 is a bottom view of the large row crop tractor hood design of FIG. 1.

FIG. 6 is a front view of the large row crop tractor hood design of FIG. 1; and,

FIG. 7 is a rear view of the large row crop tractor hood design of FIG. 1.

1 Claim, 5 Drawing Sheets



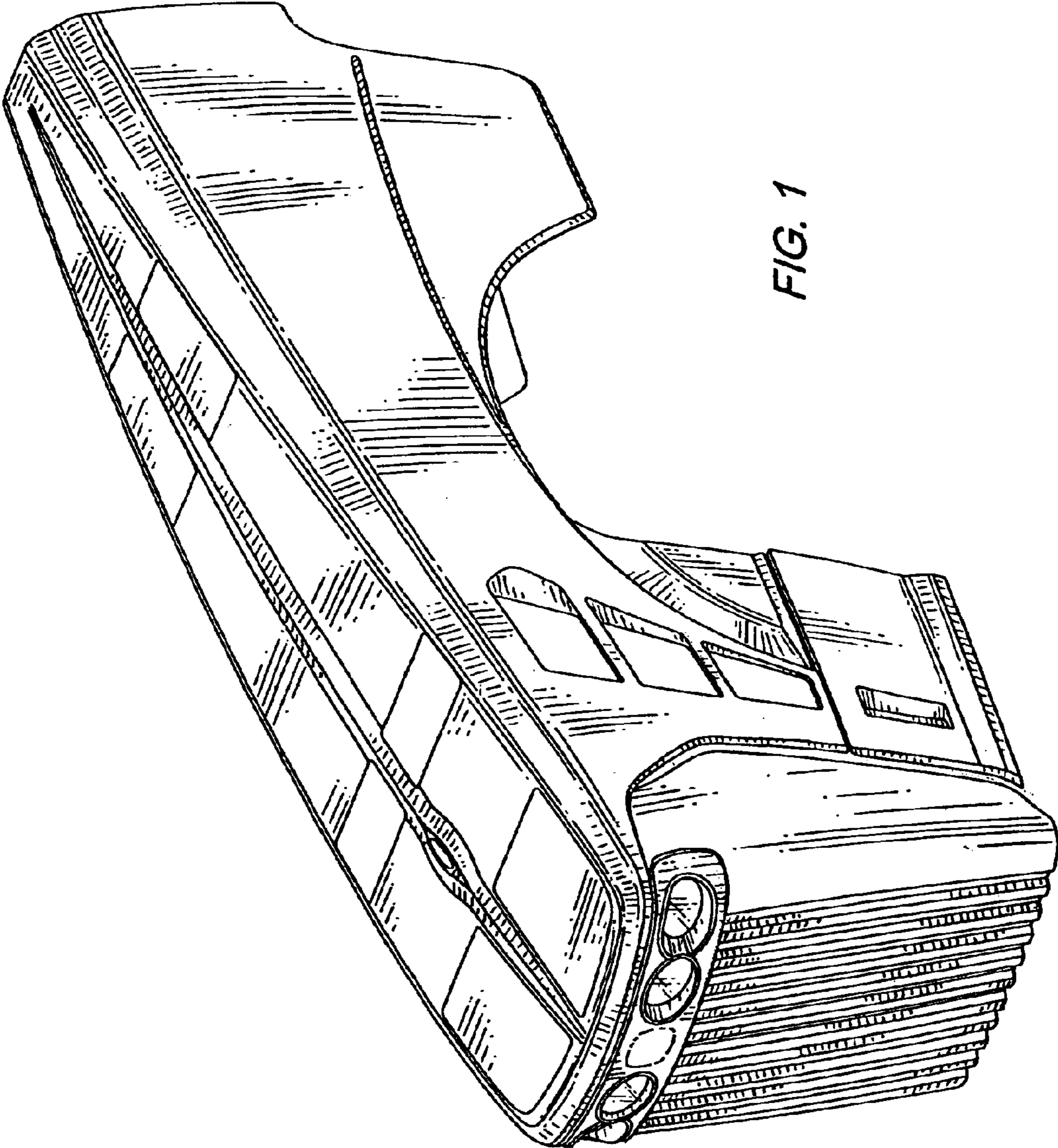


FIG. 1

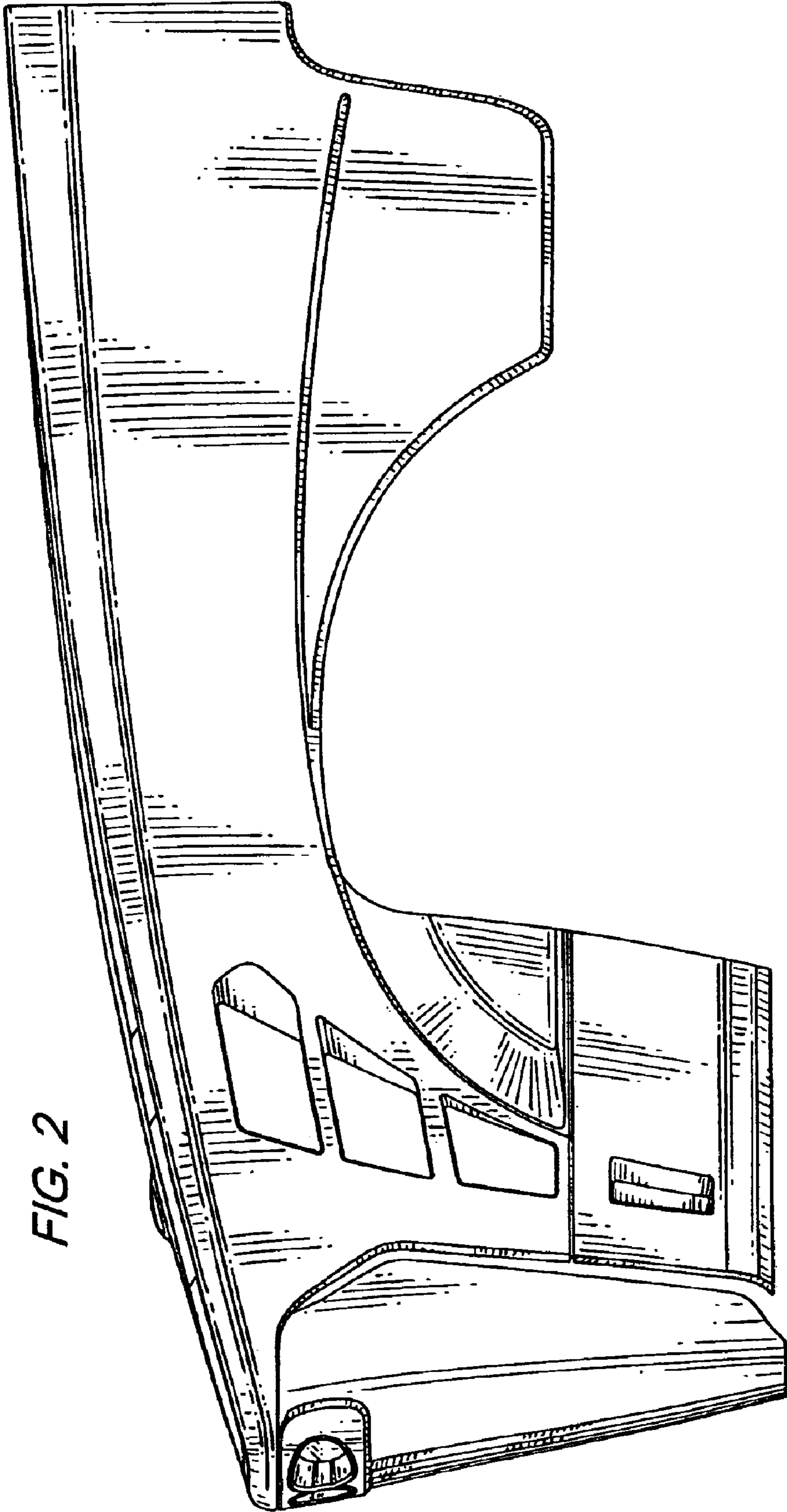
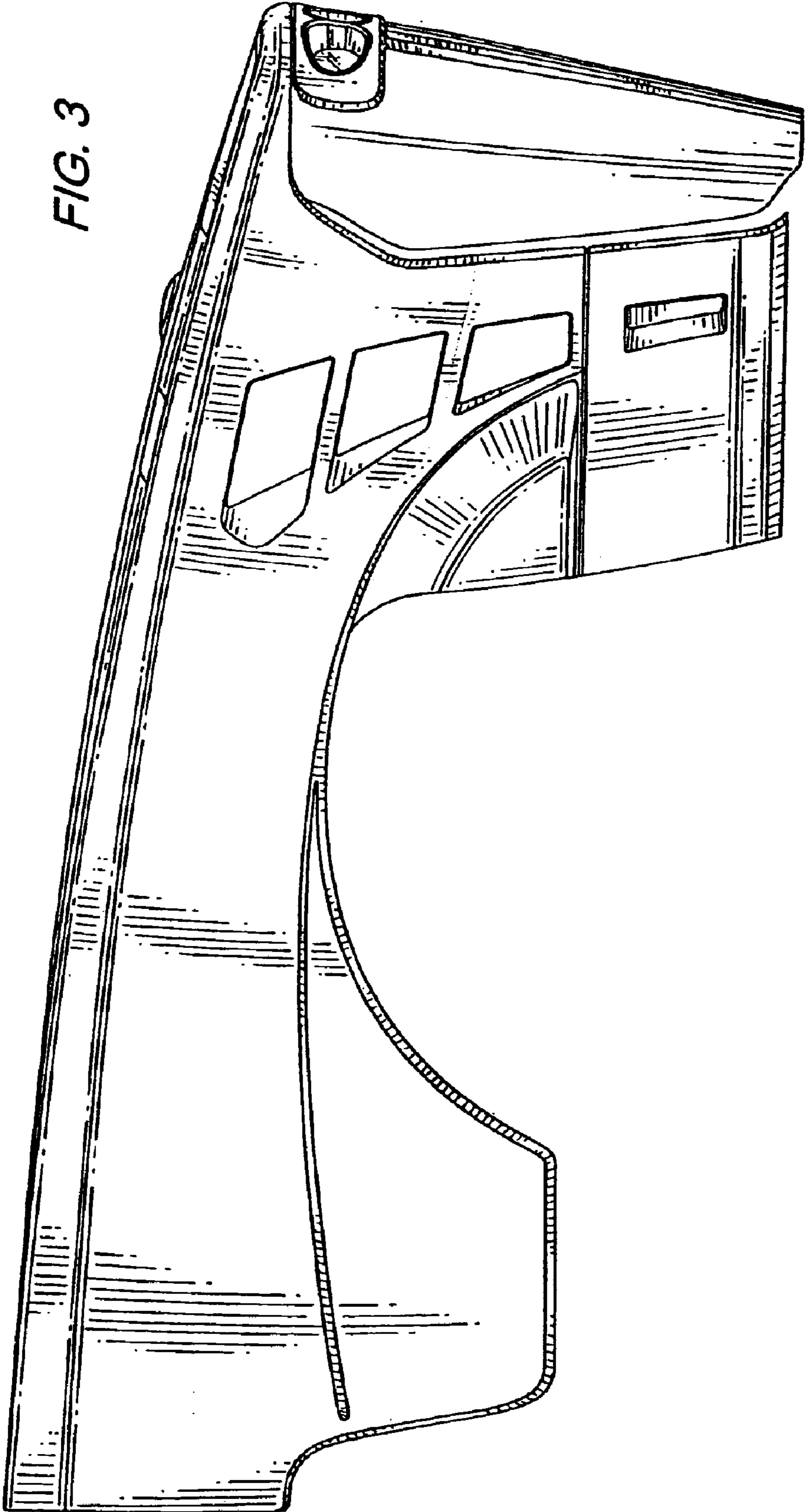


FIG. 2

FIG. 3



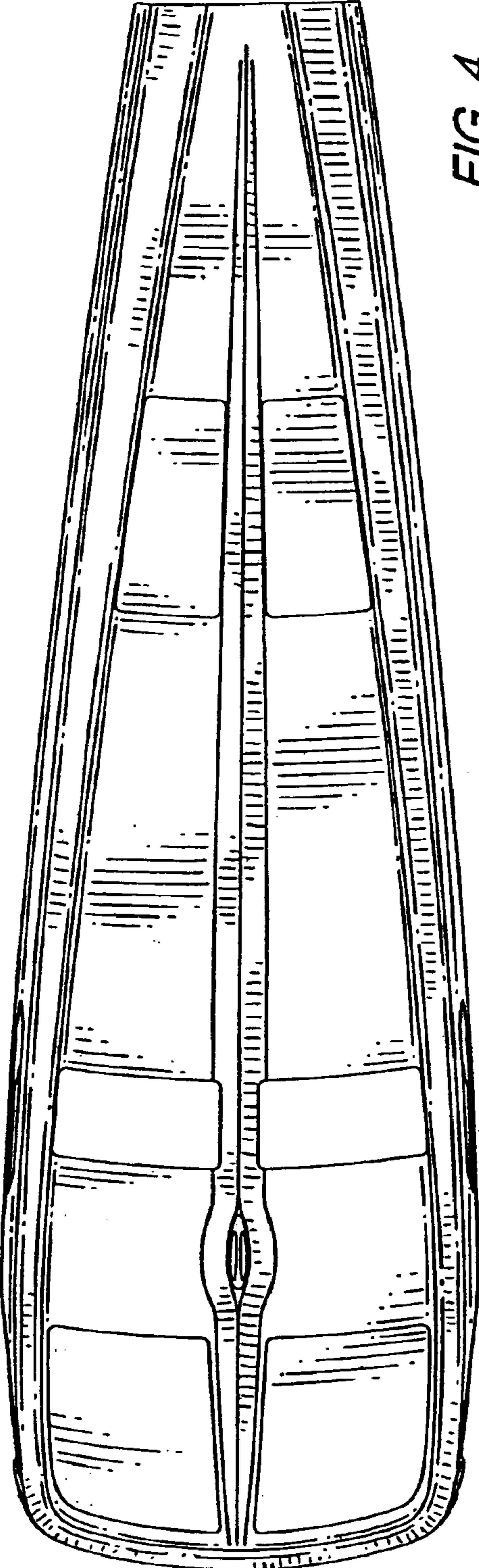


FIG. 4

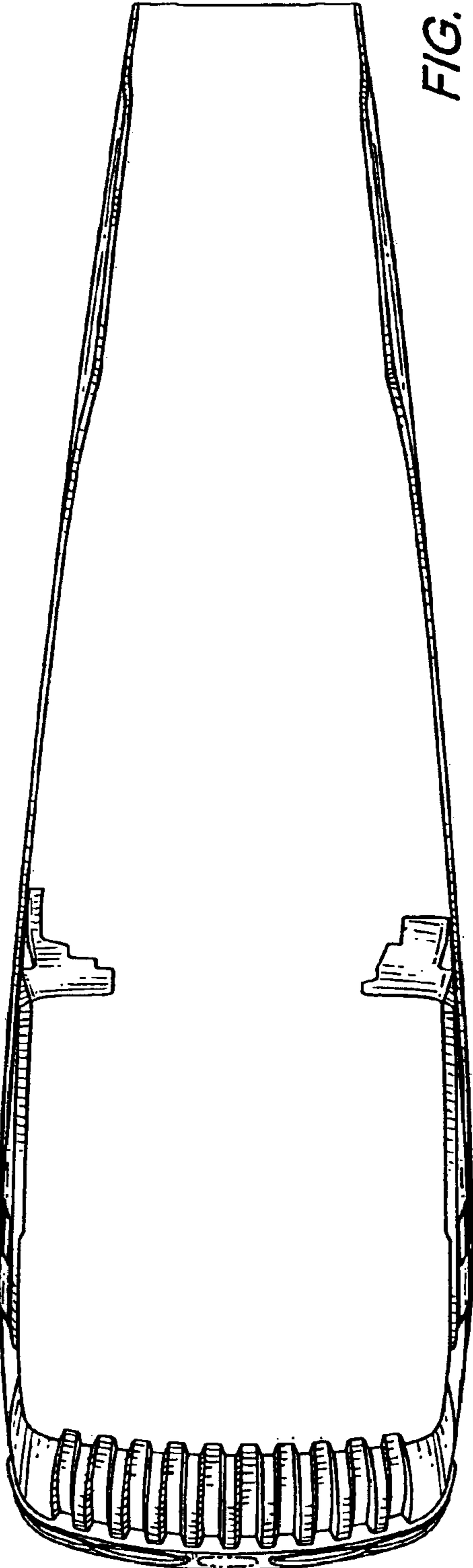


FIG. 5

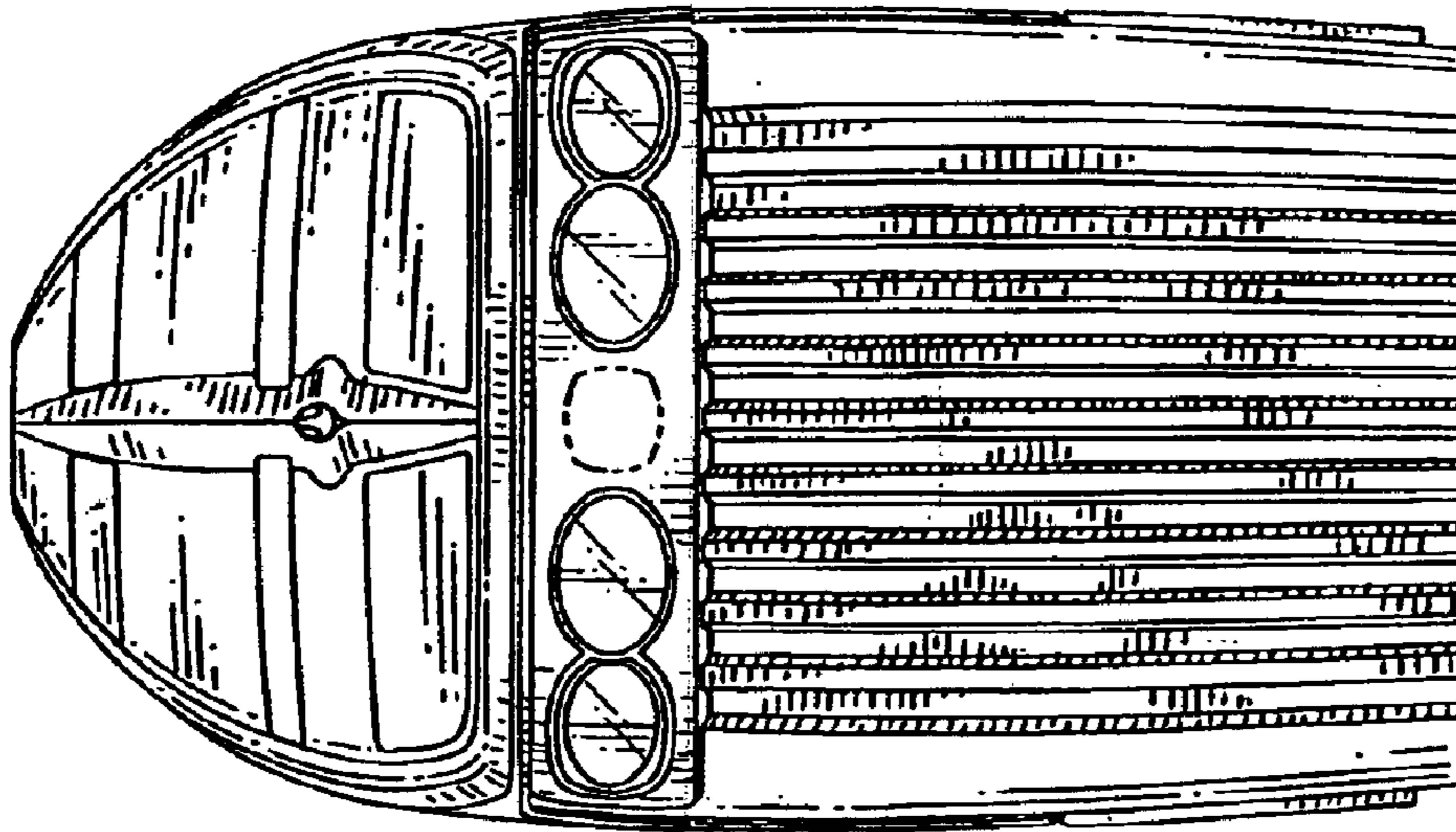


FIG. 6

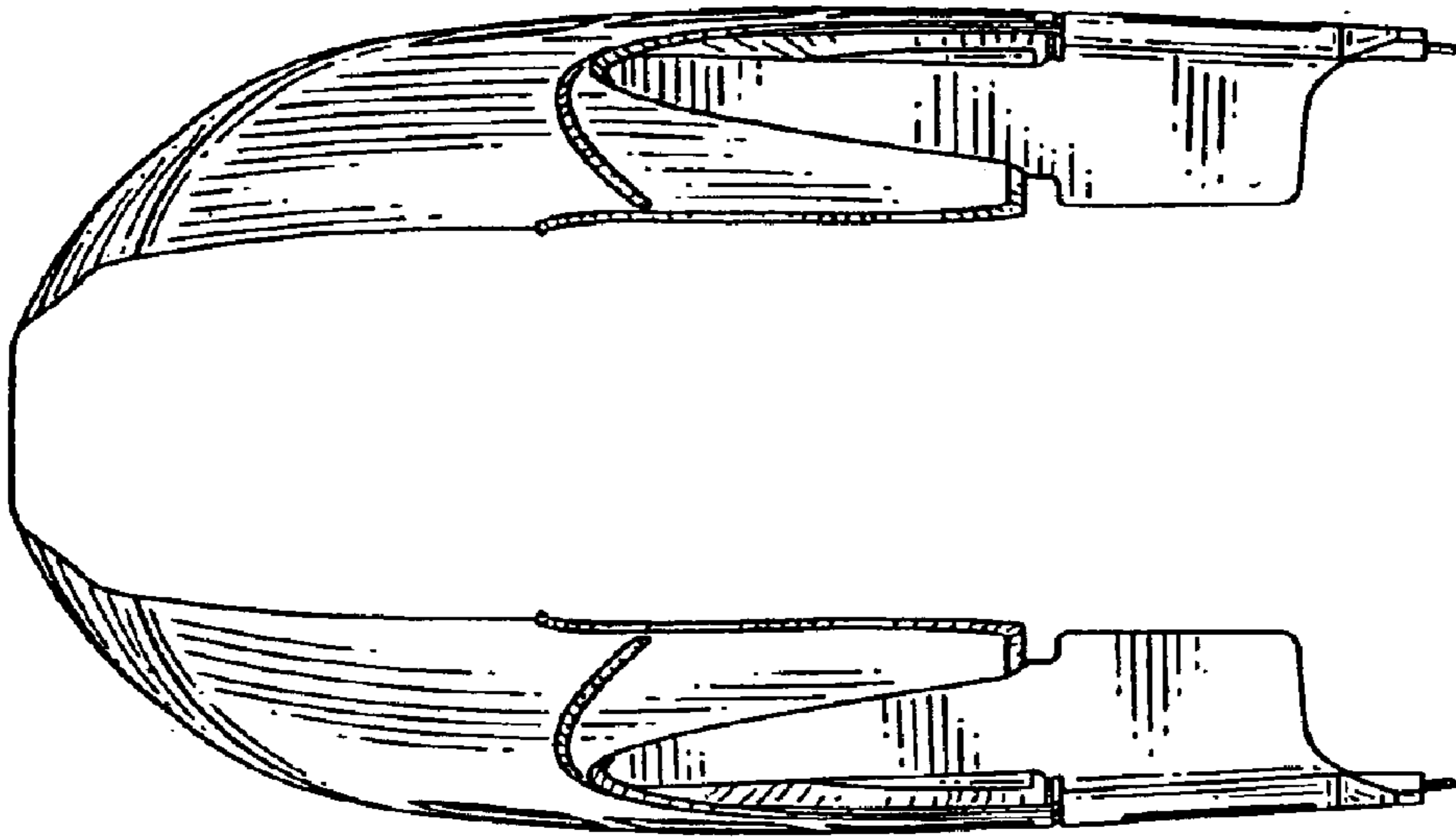


FIG. 7