



US00D512078S

(12) **United States Design Patent**
Poutre

(10) **Patent No.:** **US D512,078 S**

(45) **Date of Patent:** **** Nov. 29, 2005**

(54) **COATED RIPPER POINT**

(75) **Inventor:** **Benoit Jocelyn Poutre**, Elkhart, IA (US)

(73) **Assignee:** **Deere & Company**, Moline, IL (US)

(**) **Term:** **14 Years**

(21) **Appl. No.:** **29/203,047**

(22) **Filed:** **Apr. 8, 2004**

(51) **LOC (8) Cl.** **15-03**

(52) **U.S. Cl.** **D15/29**

(58) **Field of Search** D15/10, 11, 25,
D15/28, 29, 32, 139; 37/452-454, 446;
172/699, 713, 730, 770, 771

(56) **References Cited**

U.S. PATENT DOCUMENTS

RE27,851 E	12/1973	Alessi	
4,408,667 A	10/1983	Jarvis	172/722
4,457,381 A	7/1984	Wetmore	172/722
4,459,328 A	7/1984	Mizuhara	427/192
4,580,639 A	4/1986	Johnson	172/730
D285,206 S	* 8/1986	Johnson	D15/29
D285,691 S	* 9/1986	Johnson	D15/29
5,456,323 A	10/1995	Hill	172/721
5,499,686 A	3/1996	Parker	172/730
5,813,475 A	9/1998	Bergan et al.	172/719
5,879,743 A	3/1999	Revankar	427/191
D415,173 S	* 10/1999	Zaun	D15/29
D415,773 S	* 10/1999	Chapman	D15/11
D429,257 S	* 8/2000	Zaun	D15/29
D429,258 S	* 8/2000	Zaun	D15/29
6,382,328 B1	5/2002	Beyer	172/747

D480,734 S * 10/2003 Poutre D15/29

* cited by examiner

Primary Examiner—Stella Reid

Assistant Examiner—Mark A. Goodwin

(57) **CLAIM**

The ornamental design for a coated ripper point, as shown and described.

DESCRIPTION

FIG. 1 is a top front perspective view of a coated ripper point showing my new design;

FIG. 2 is a bottom front perspective view thereof;

FIG. 3 is a top view thereof;

FIG. 4 is a left side view thereof;

FIG. 5 is a bottom view thereof;

FIG. 6 is a rear view thereof;

FIG. 7 is a right side view thereof;

FIG. 8 is a front view thereof;

FIG. 9 is a top front perspective view of an alternate embodiment of the coated ripper point showing my new design;

FIG. 10 is a bottom front perspective view thereof;

FIG. 11 is a top view thereof;

FIG. 12 is a left side view thereof;

FIG. 13 is a bottom view thereof;

FIG. 14 is a rear view thereof;

FIG. 15 is a right side view thereof; and,

FIG. 16 is a front view thereof.

The broken line showing in FIGS. 1, 2, 4-7, 9, 10, and 12-15 is for illustrative purposes only and forms no part of the claimed design.

1 Claim, 6 Drawing Sheets

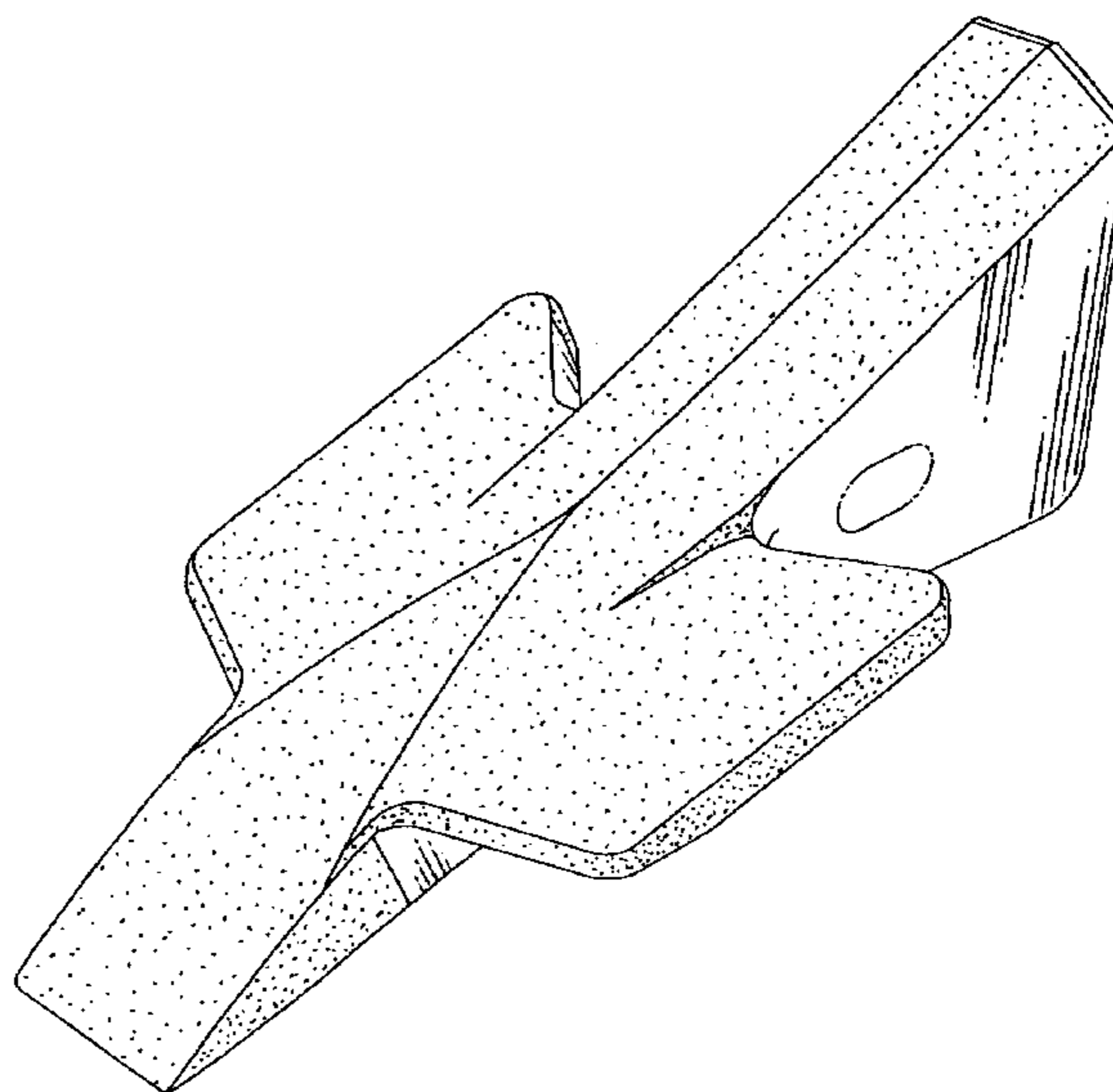
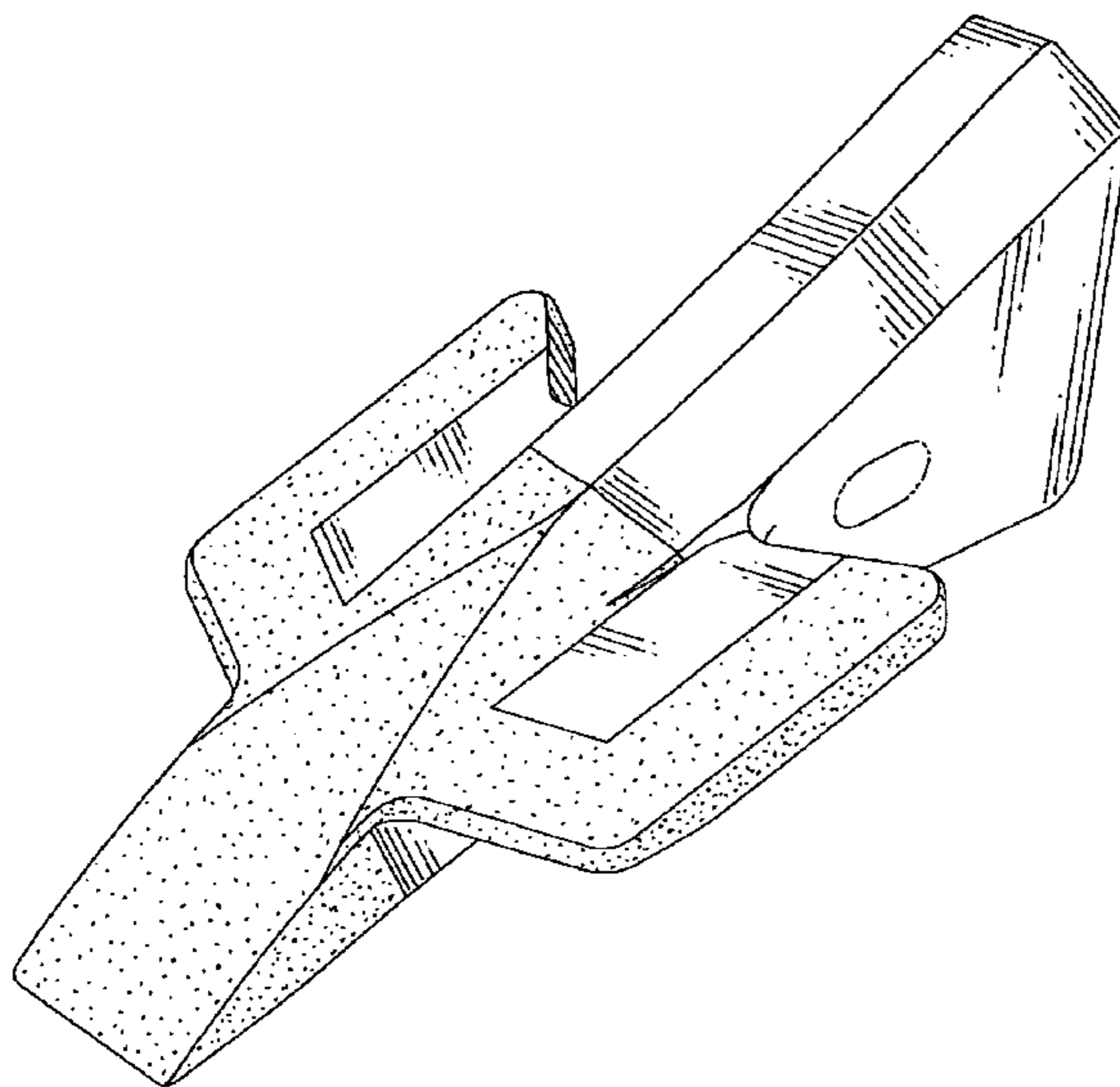


FIG. 1

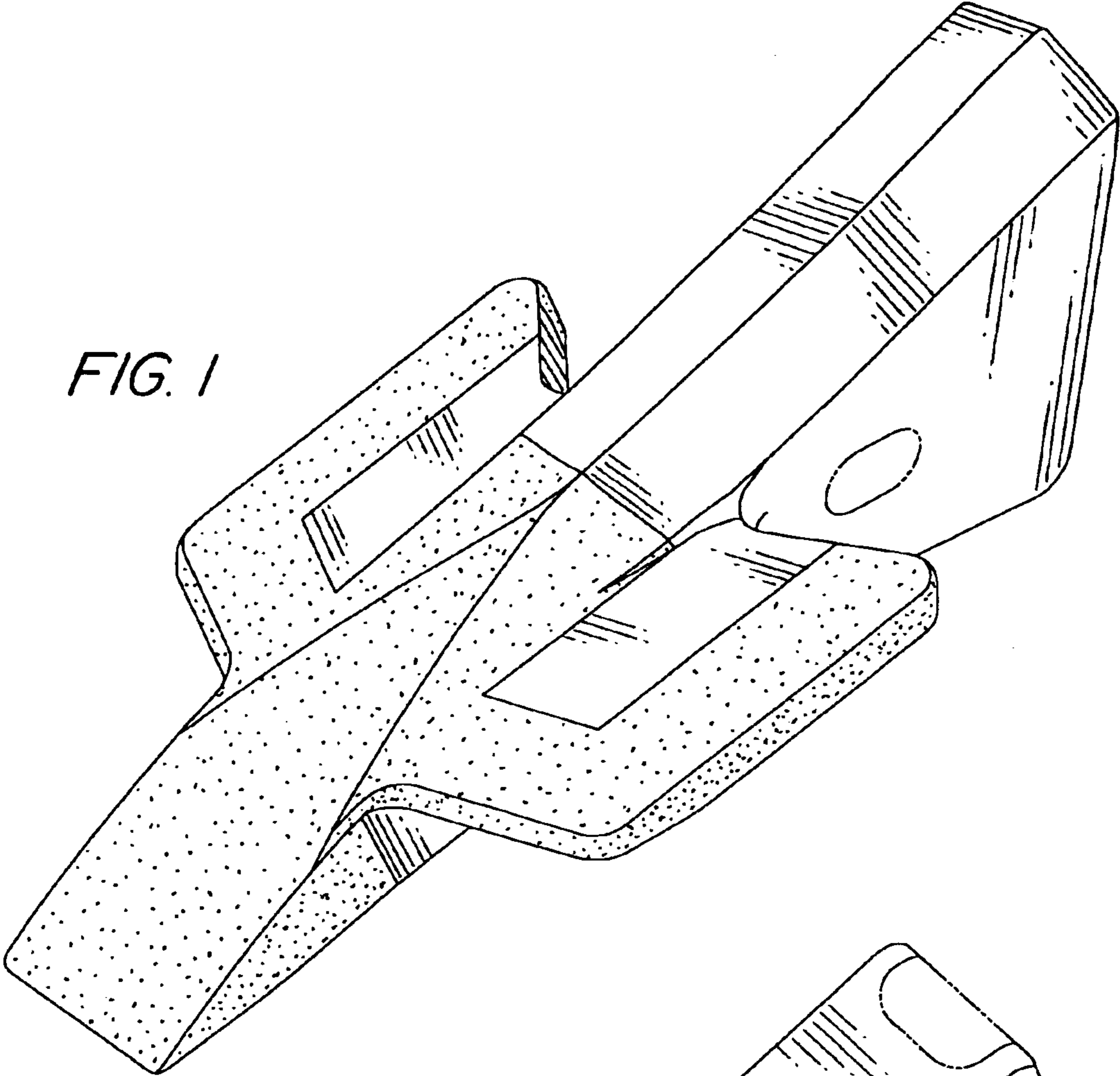


FIG. 2

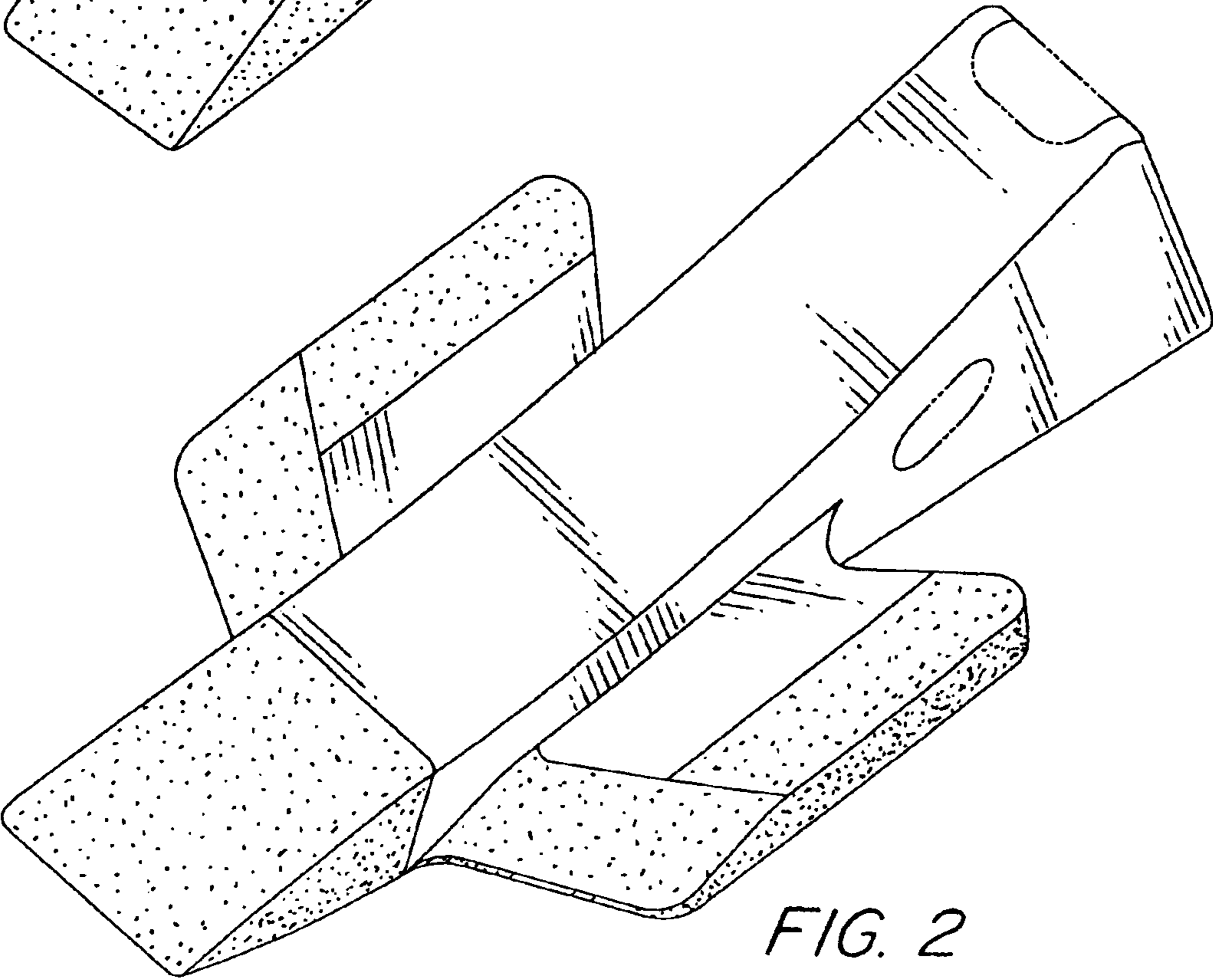


FIG. 3

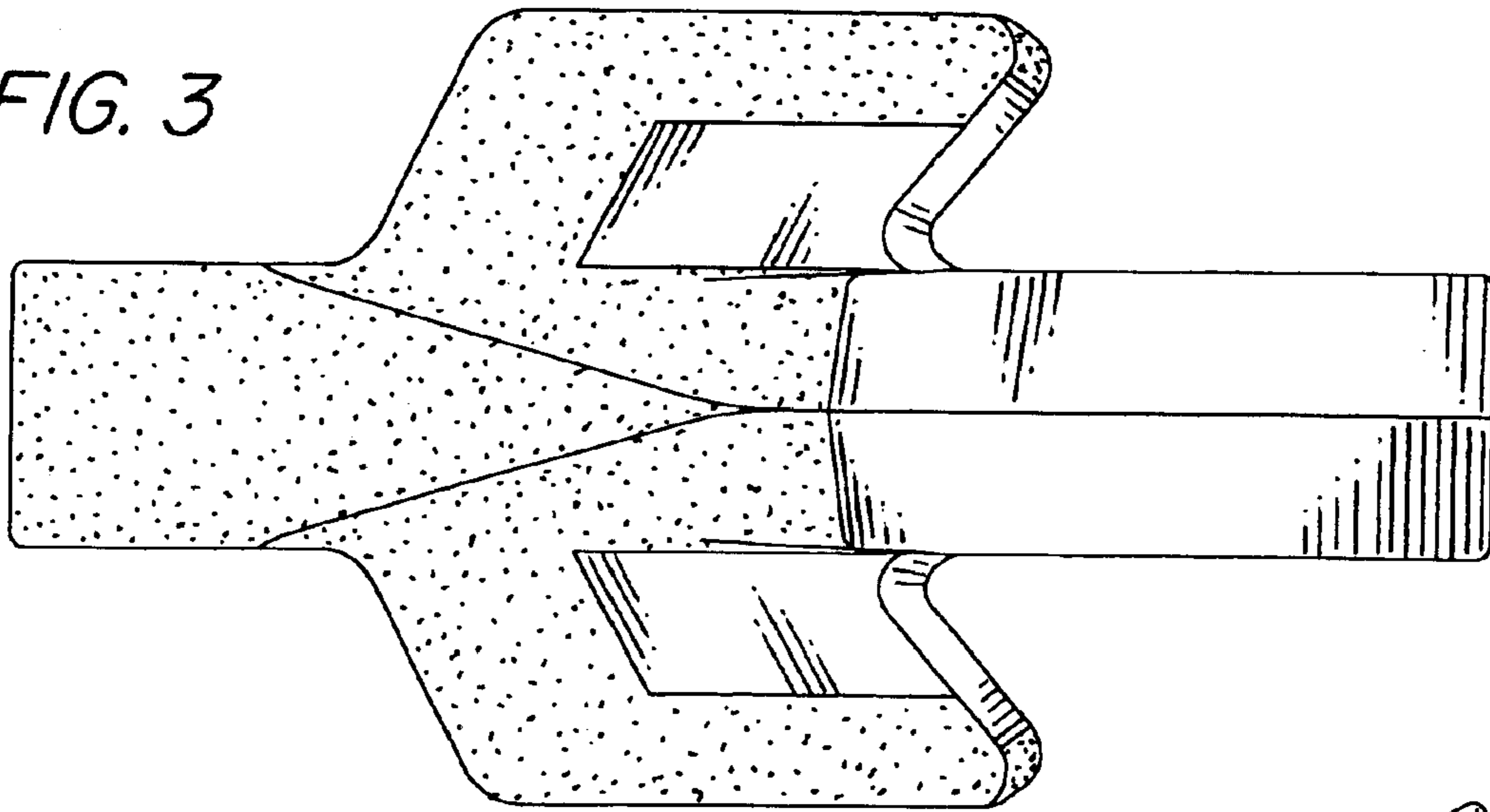


FIG. 4

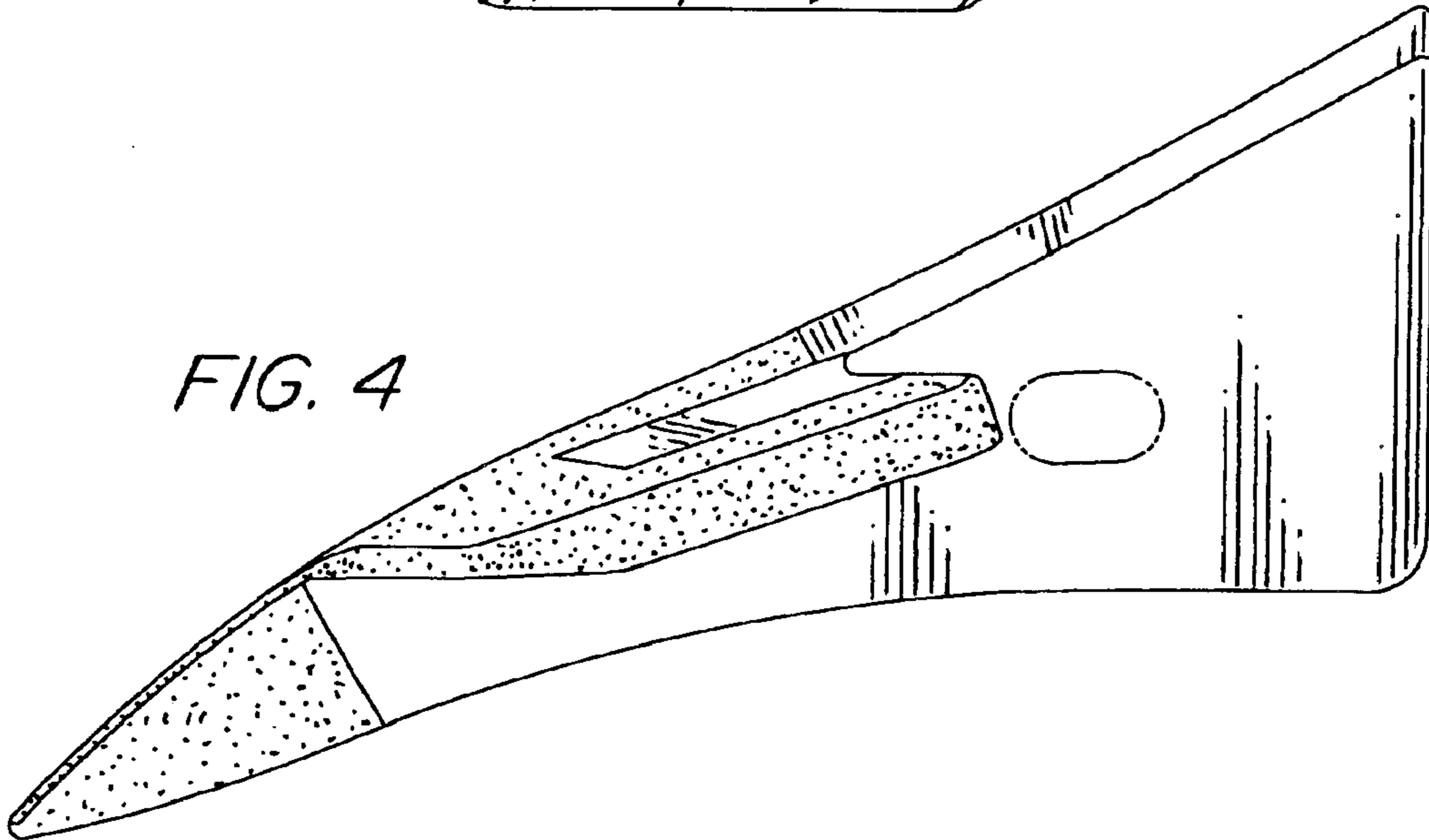


FIG. 5

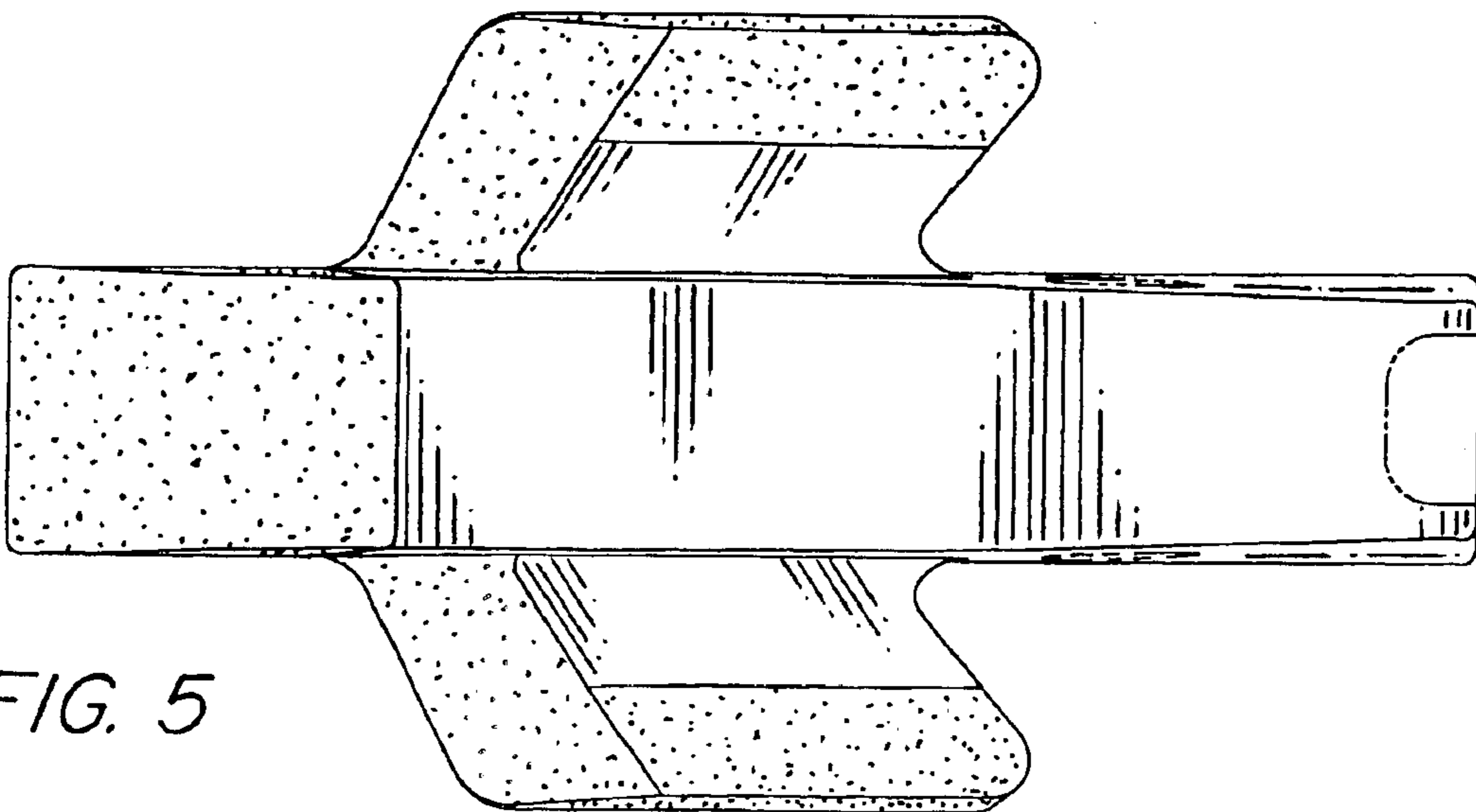


FIG. 6

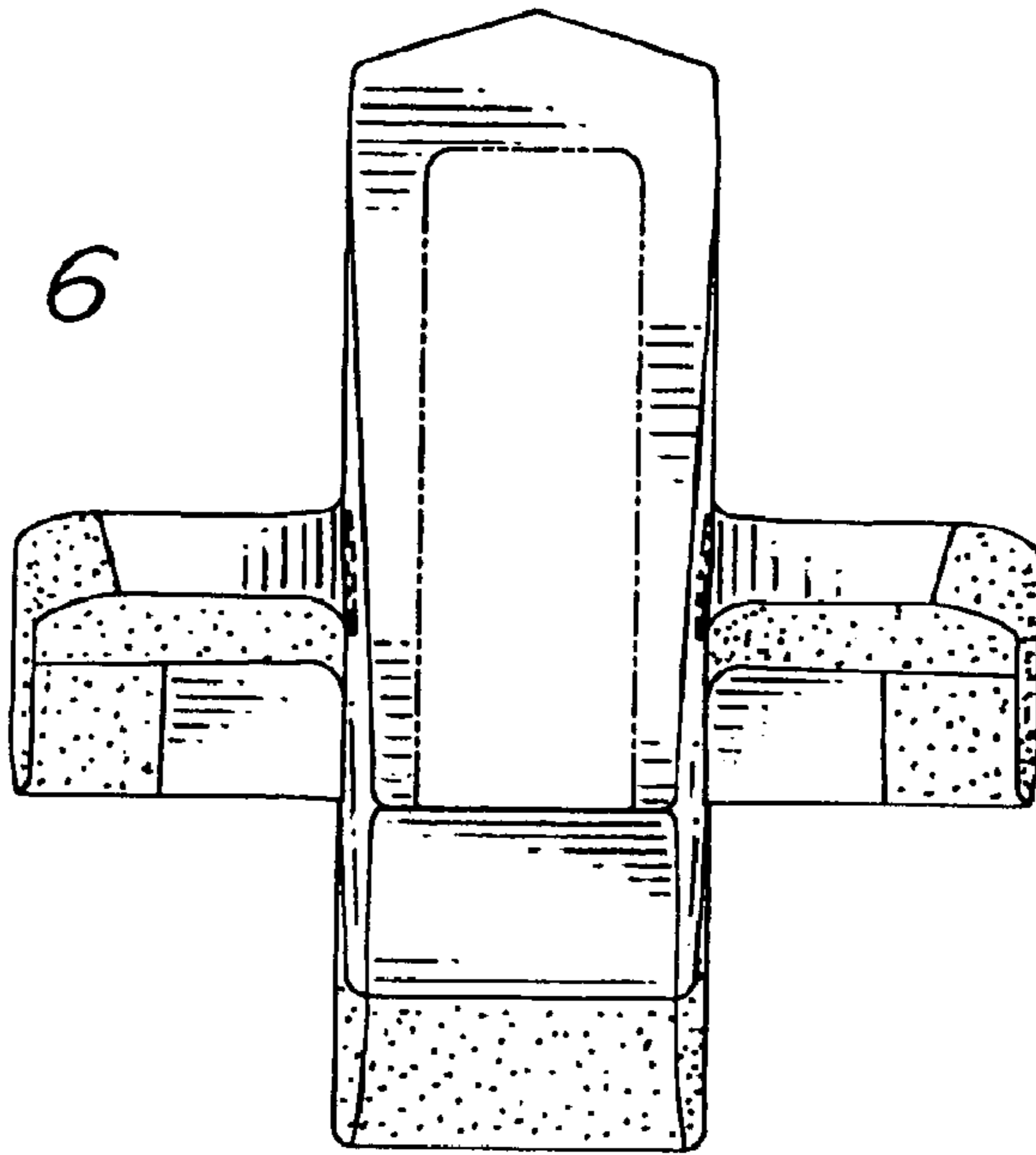


FIG. 7

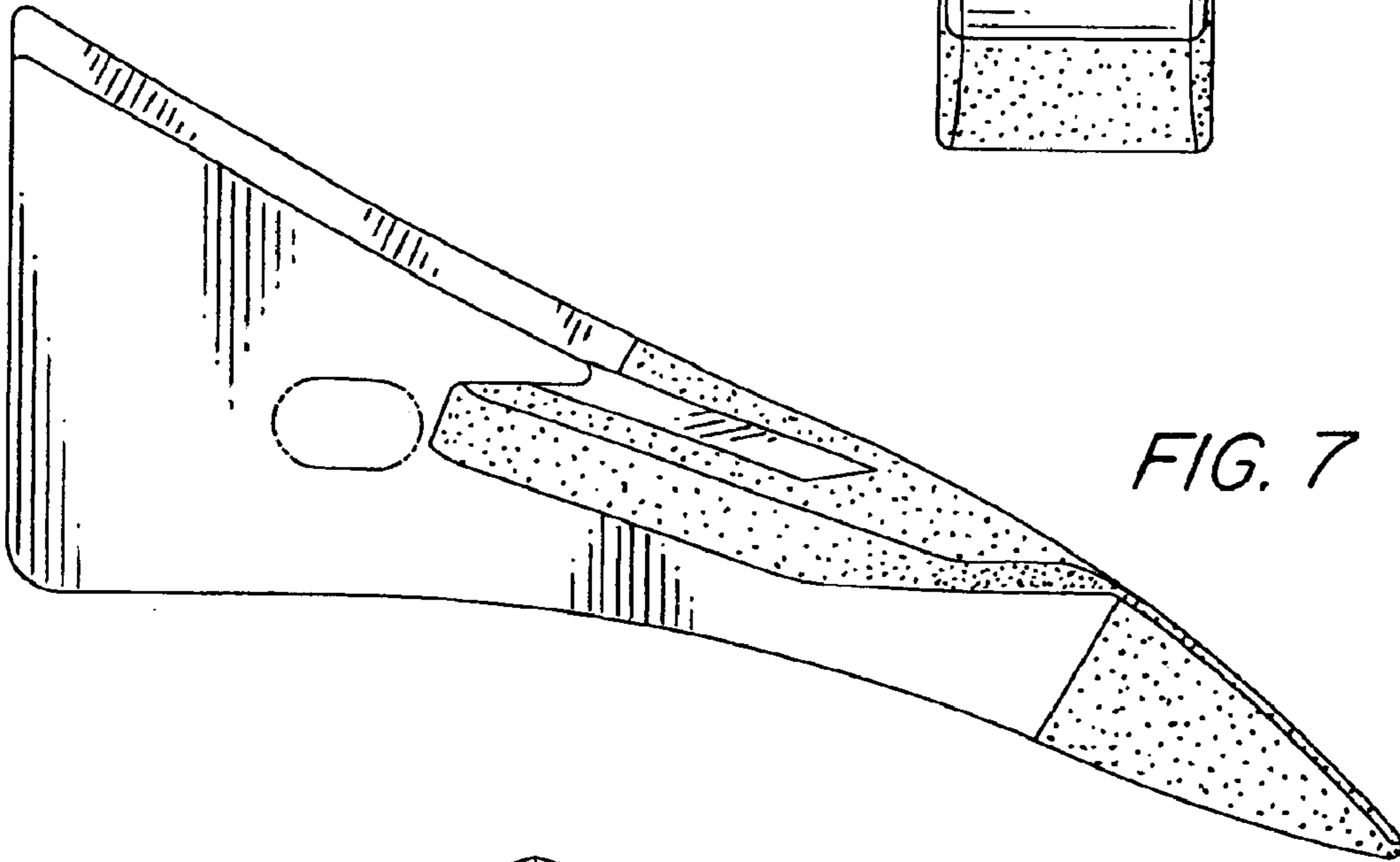


FIG. 8

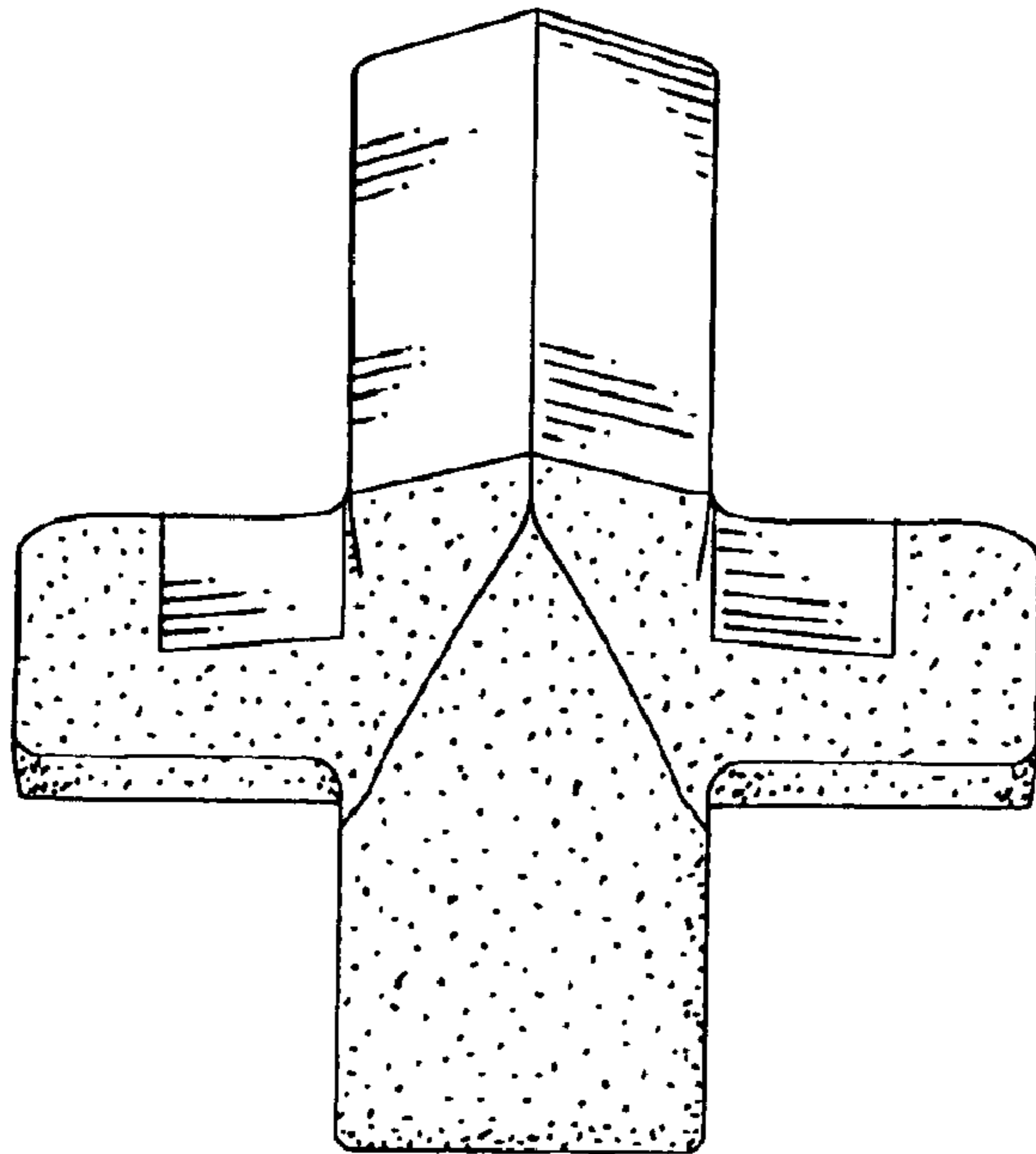


FIG. 9

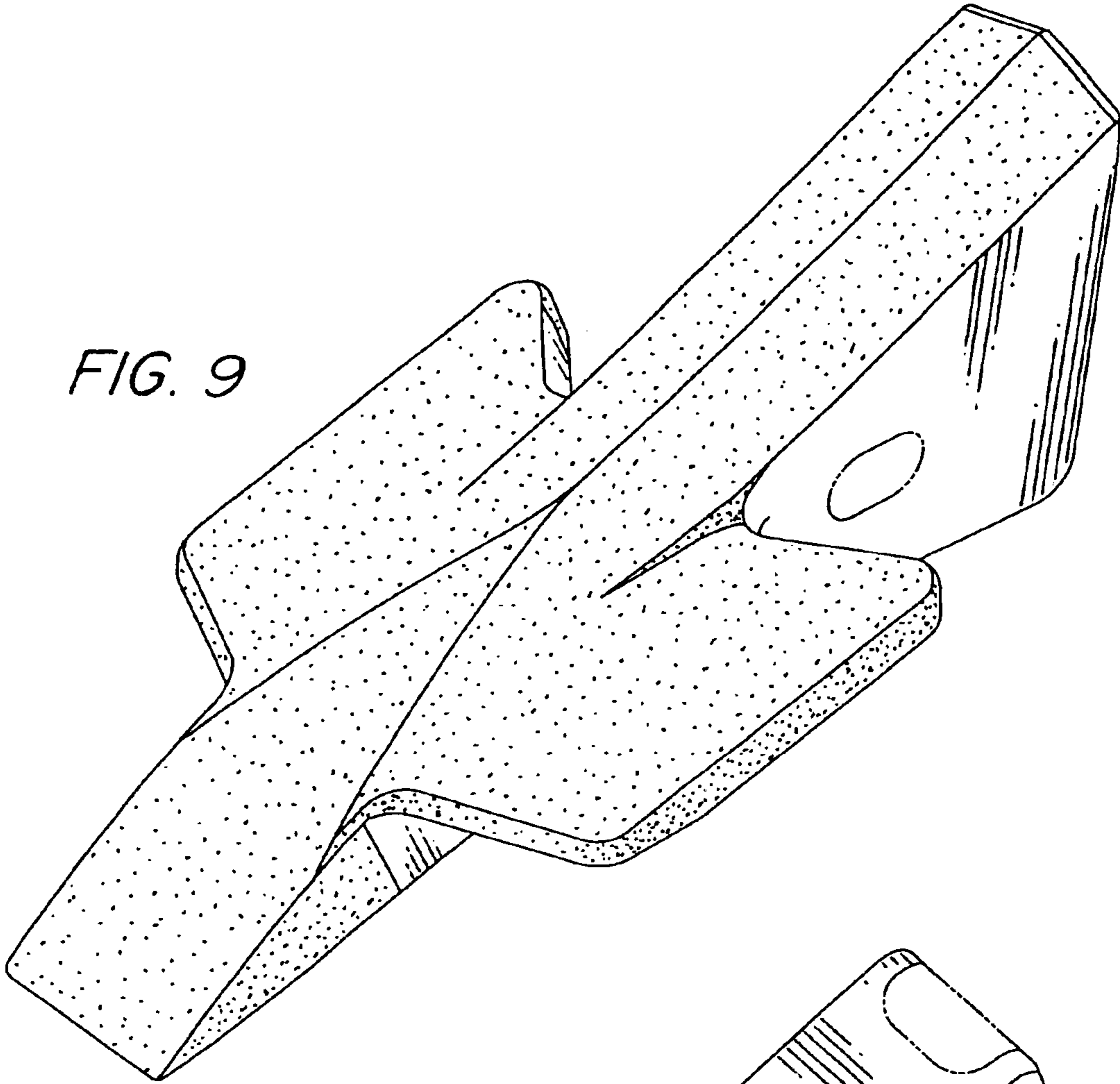


FIG. 10

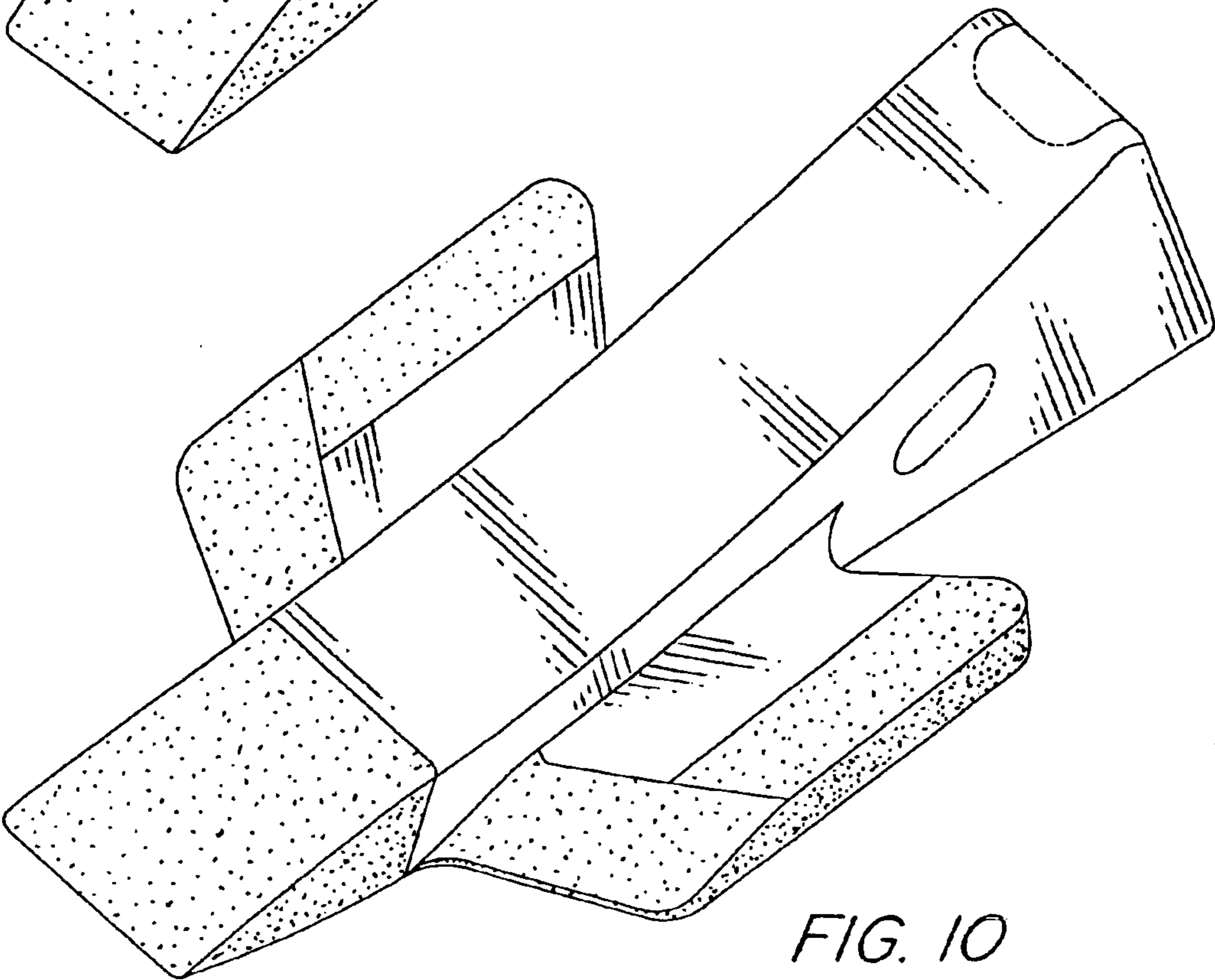


FIG. 11

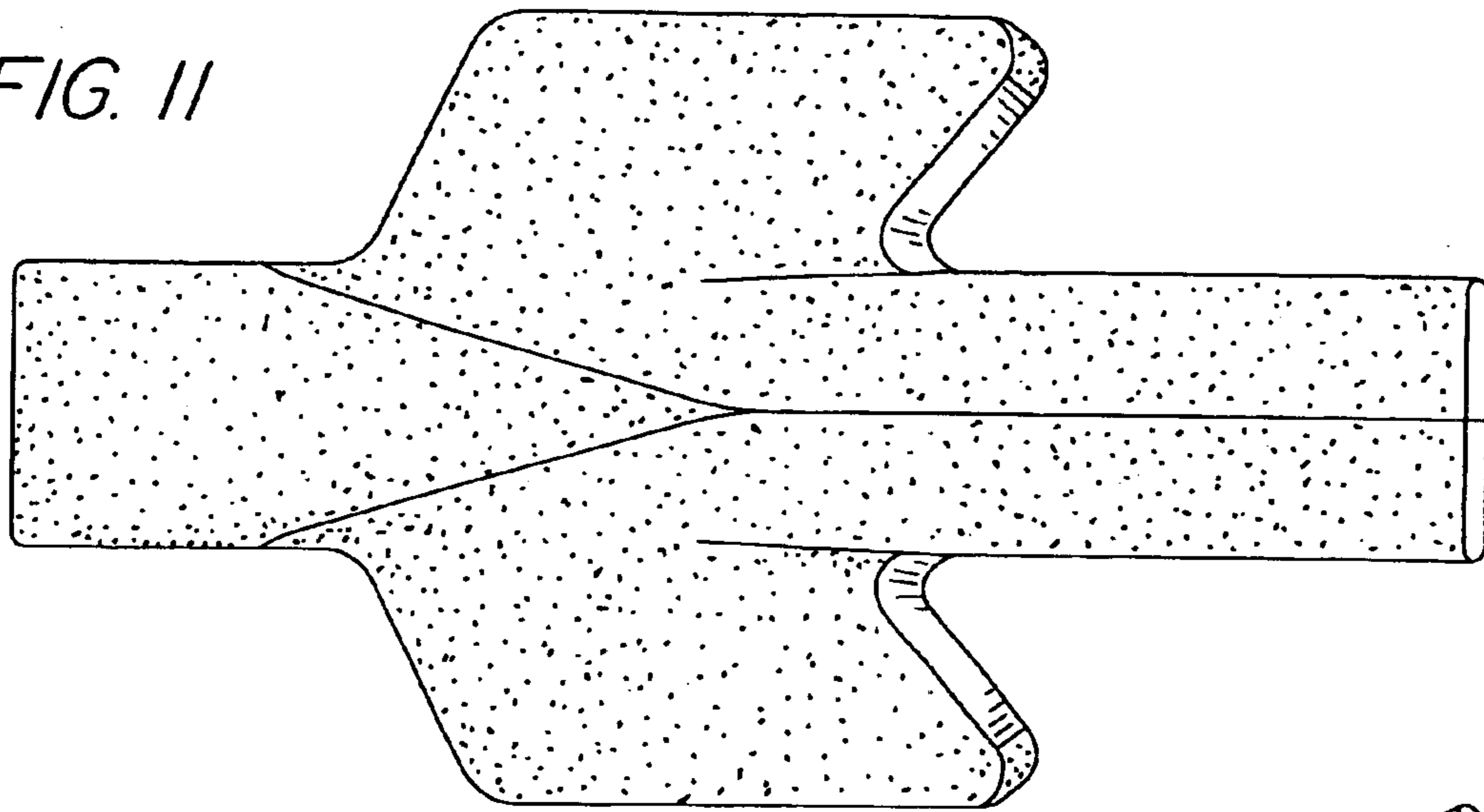


FIG. 12

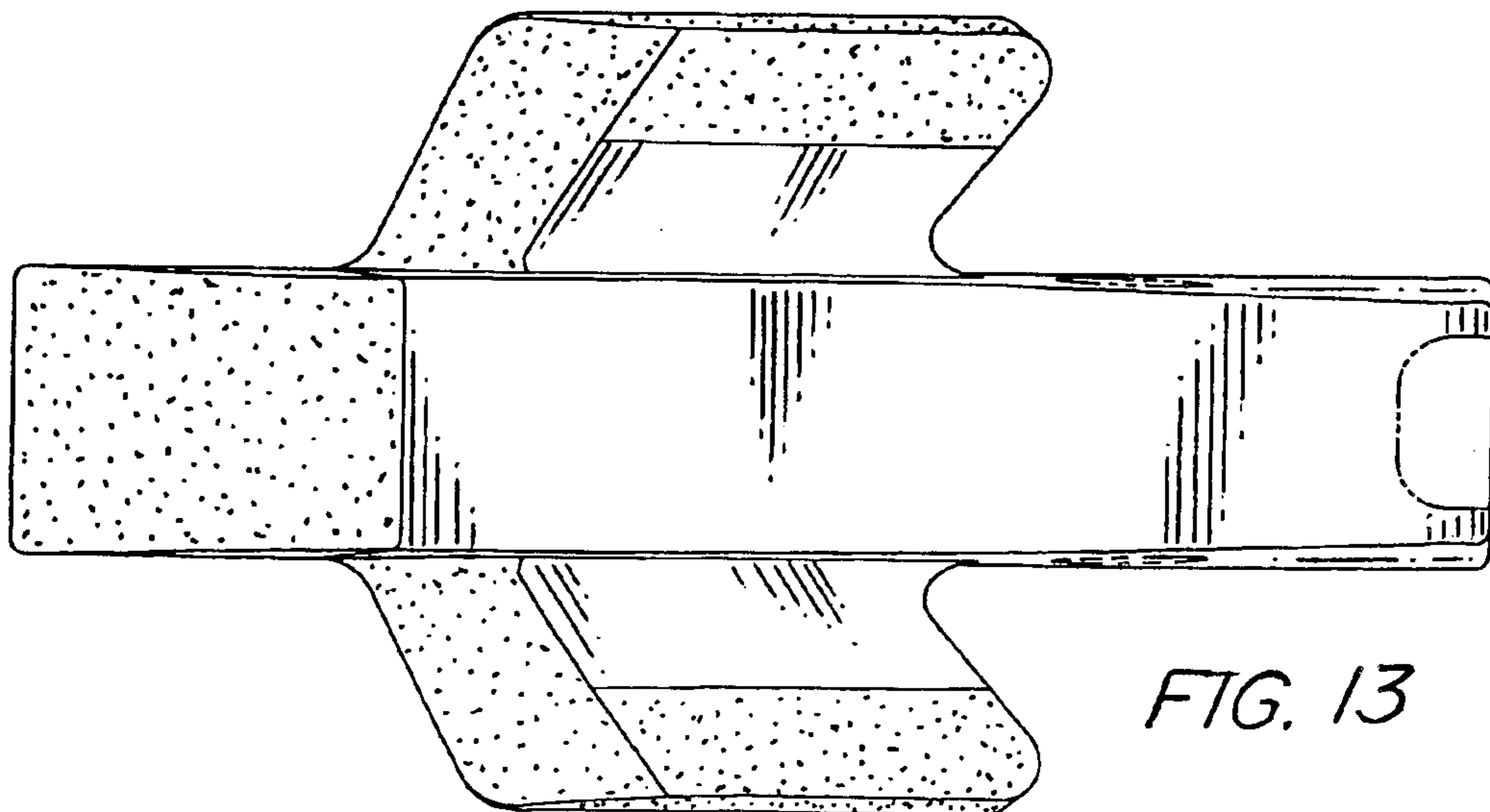
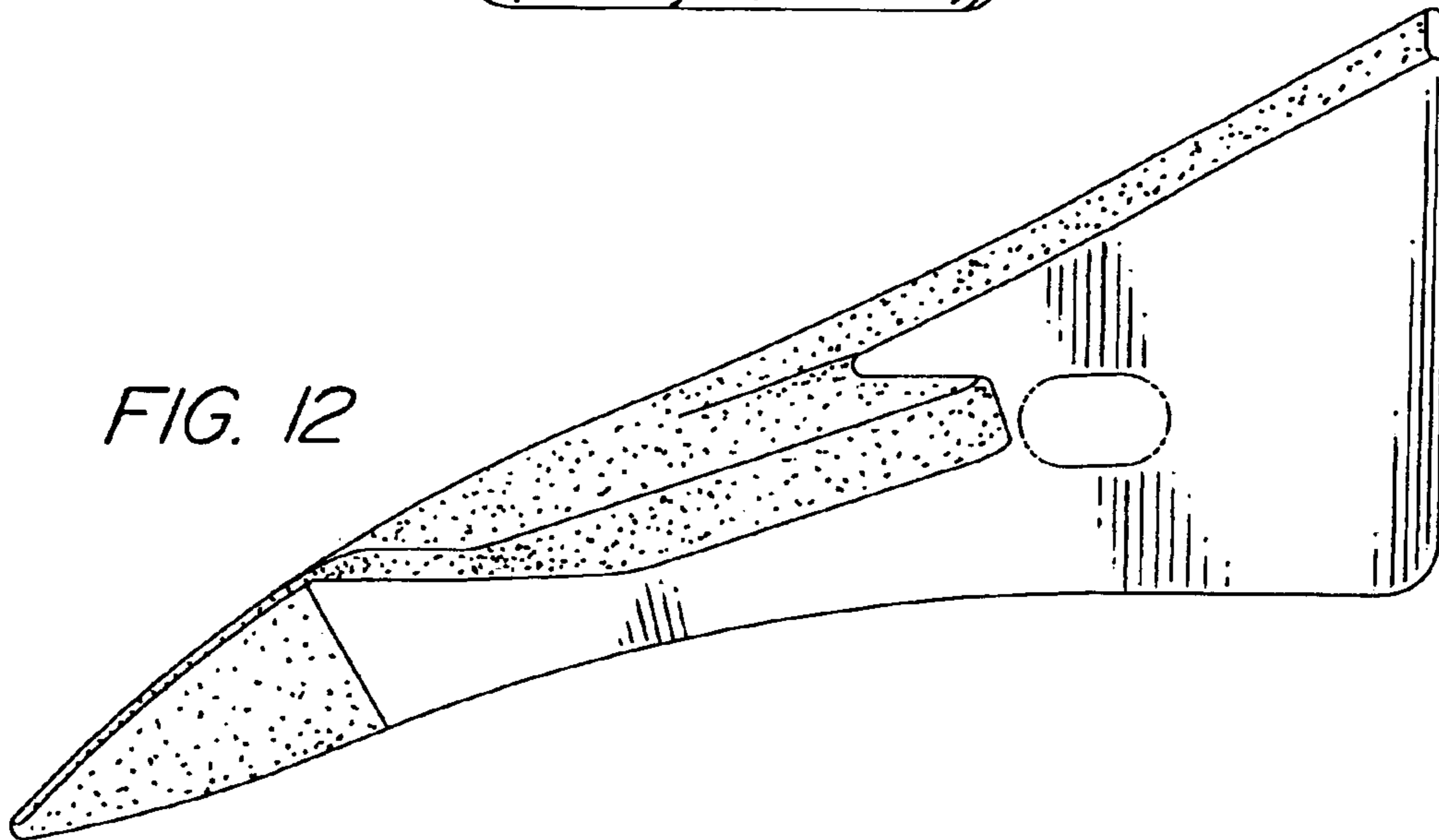


FIG. 13

FIG. 14

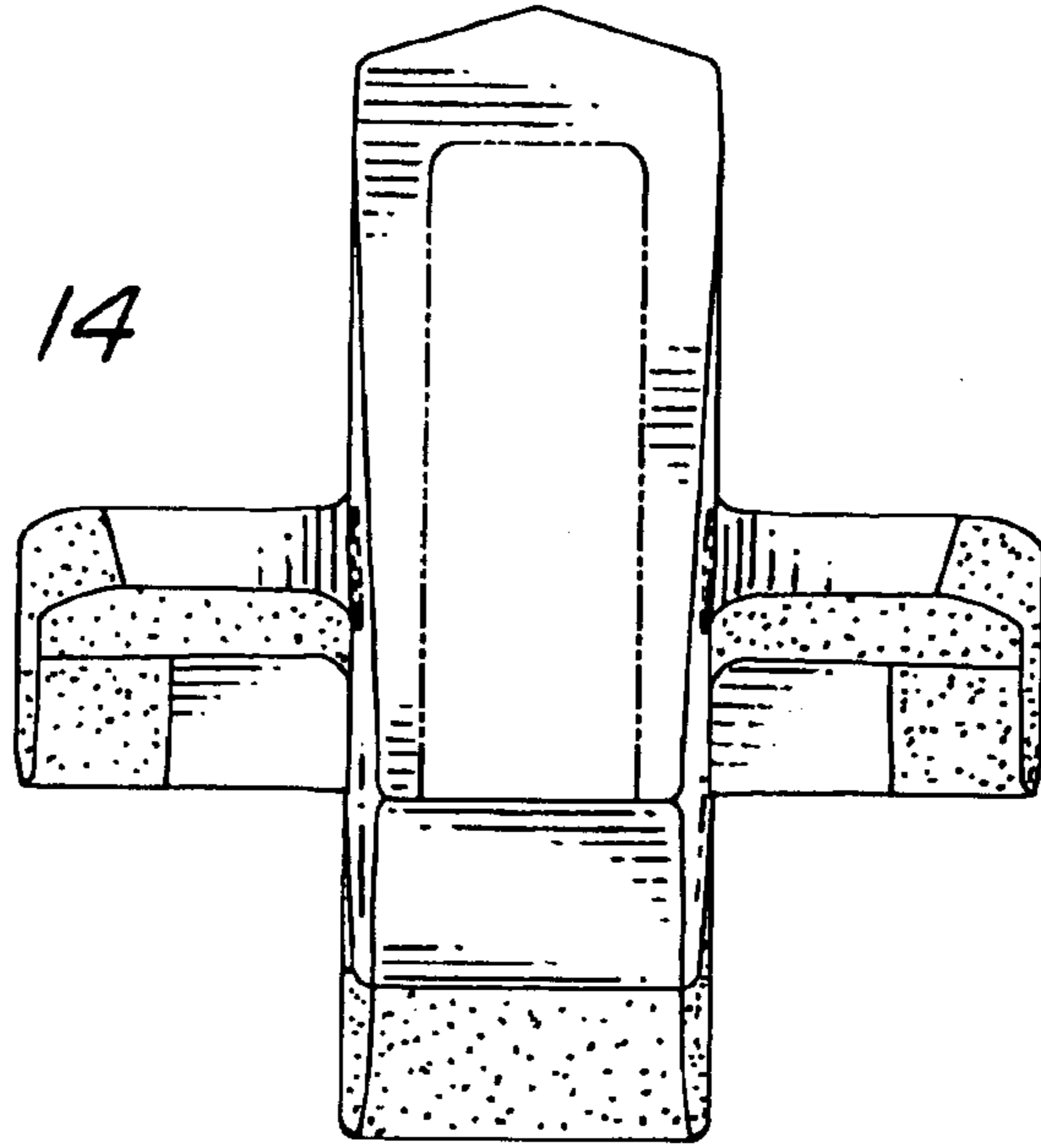


FIG. 15

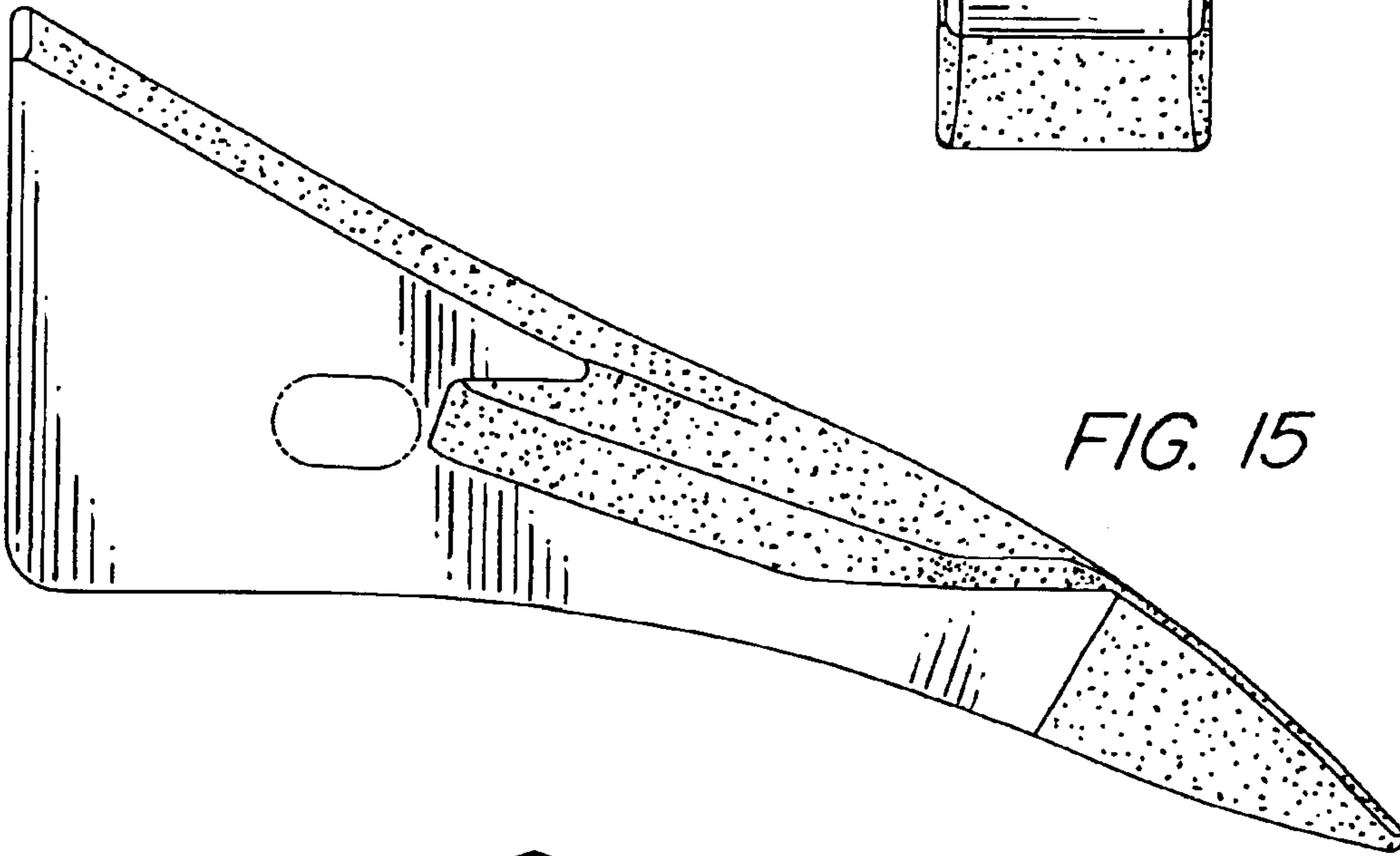


FIG. 16

