



US00D512075S

(12) **United States Design Patent** (10) **Patent No.:** **US D512,075 S**
Buck (45) **Date of Patent:** **** Nov. 29, 2005**

(54) **HAND PORTABLE AIR COMPRESSOR**(75) Inventor: **John E. Buck**, Cockeysville, MD (US)(73) Assignee: **Black & Decker Inc.**, Newark, DE (US)(**) Term: **14 Years**(21) Appl. No.: **29/206,581**(22) Filed: **Jun. 1, 2004**(51) **LOC (8) Cl.** **15-02**(52) **U.S. Cl.** **D15/9**(58) **Field of Search** D15/7-9; D23/231, D23/232; 417/410.4, 359, 415, 410.3, 234, 229, 321, 265, 405(56) **References Cited**

U.S. PATENT DOCUMENTS

2,434,675 A	1/1948	Simpson	
D170,330 S	9/1953	Miller	
D273,493 S	4/1984	Vitaloni	
D273,789 S	5/1984	Davis	
D273,958 S	5/1984	Mariol	
D275,291 S	8/1984	Dunlap	
D293,447 S	12/1987	Hefling	
D293,682 S	1/1988	Liou	
D296,104 S	6/1988	Hung	
D301,247 S	5/1989	Prevosto	
D327,891 S	7/1992	Morgan	
D328,465 S	8/1992	Schwartz et al.	
D352,295 S	11/1994	Morgan	
D382,883 S	8/1997	Breitzman et al.	
D403,331 S	12/1998	Williams	
D409,627 S	5/1999	Wang	
D440,578 S	4/2001	Nolan	
D444,796 S	7/2001	Morgan	
D444,797 S	7/2001	Davis et al.	
D446,793 S	8/2001	Matthew et al.	
D452,253 S	12/2001	Matthew et al.	
D460,763 S	7/2002	Buck	
D461,196 S	8/2002	Buck	
D471,918 S	3/2003	Buck	
D471,919 S	3/2003	Buck	
6,582,201 B2	6/2003	Lucchi	
D482,371 S	11/2003	Buck	
D489,733 S	5/2004	Leasure et al.	
D491,197 S	* 6/2004	Stilwell et al.	D15/9
D493,179 S	* 7/2004	Buck	D15/9
D499,747 S	* 12/2004	Buck	D15/9

FOREIGN PATENT DOCUMENTS

DE M 92 07 249 3/1993

DE	M 92 09 562	6/1993
DE	M 98 04 295	1/1999
DE	498 09 993	7/1999
DE	400 05 399	10/2000
WO	DM 054178	11/2000
WO	DM 057951	8/2001

OTHER PUBLICATIONS

Porter-Cable, Job Boss/TM, 4.5 Gallon 150 PSI Portable Air Compressor, Model C3551; located @ <http://www.porter-cable.com/index.asap?e=4434&t=t&p=4797>. May 25, 2004.Porter-Cable, Job Boss/TM, 4.5 Gallon 150 PSI Contractor Air Compressor, Model C3550; located @ <http://www.porter-cable.com/index.asap?e=4434&t=t&p=4795>. May 25, 2004.Porter-Cable, Job Boss/TM, 4.5 Gallon 150 PSI Portable Air Compressor, Model C3151; located @ <http://www.porter-cable.com/index.asap?e=4434&t=t&p=4794>. May 25, 2004.Porter-Cable, Job Boss/TM, 4.5 Gallon 150 PSI Contractor Air Compressor, Model C3150; located @ <http://www.porter-cable.com/index.asap?e=4434&t=t&p=4793>. May 25, 2004.

* cited by examiner

Primary Examiner—Ralf Seifert(74) *Attorney, Agent, or Firm*—Michael P. Leary; Charles E. Yocum; Adan Ayala(57) **CLAIM**

The ornamental design for a hand portable air compressor, as shown and described.

DESCRIPTION

FIG. 1 is a perspective view of a hand portable air compressor showing my new design.

FIG. 2 is a front view of a hand portable air compressor according to FIG. 1.

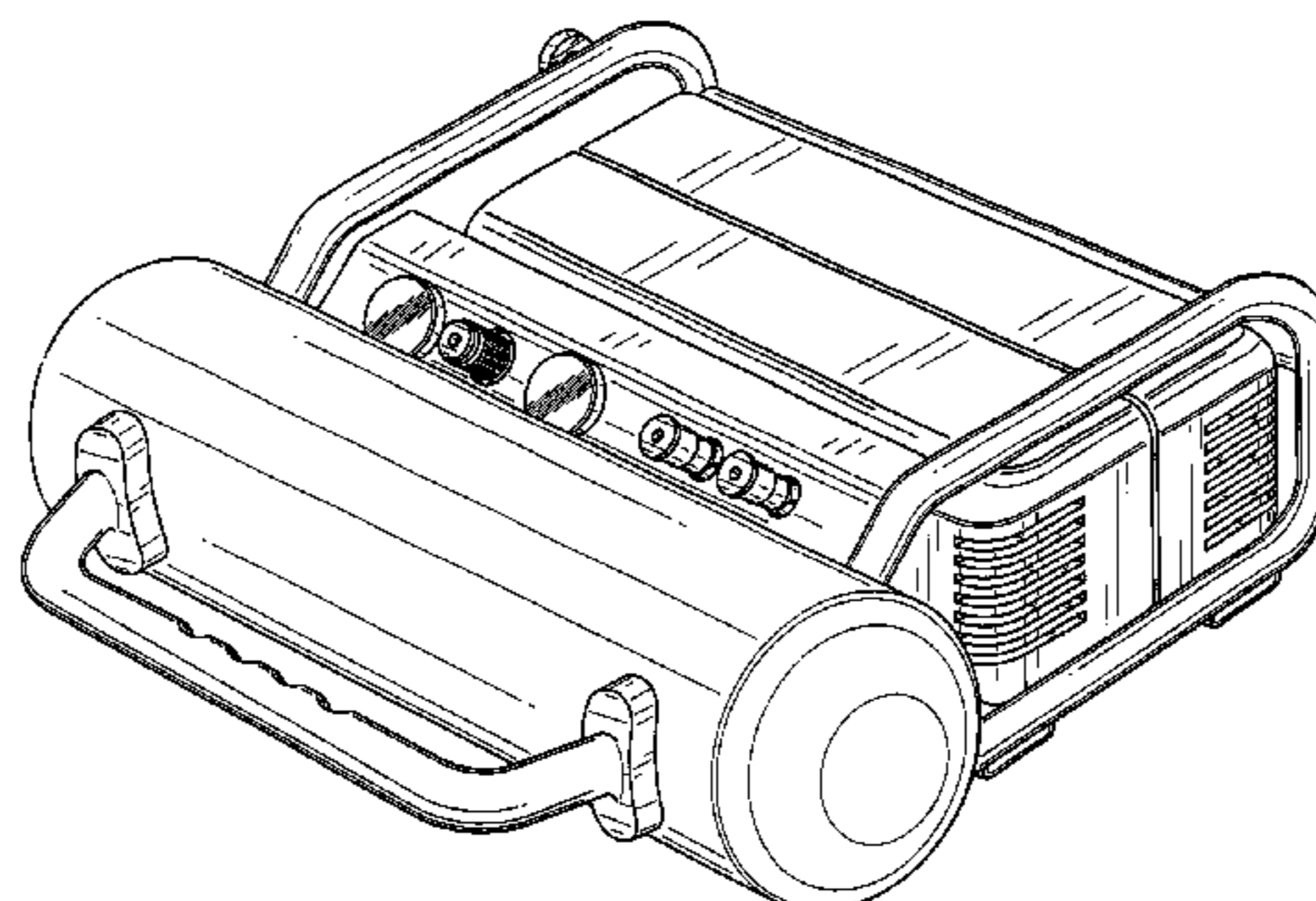
FIG. 3 is a rear view of a hand portable air compressor according to FIG. 1.

FIG. 4 is a left side view of a hand portable air compressor according to FIG. 1.

FIG. 5 is a right side view of a hand portable air compressor according to FIG. 1.

FIG. 6 is a top view of a hand portable air compressor according to FIG. 1; and,

FIG. 7 is a bottom view of a hand portable air compressor according to FIG. 1.

1 Claim, 5 Drawing Sheets

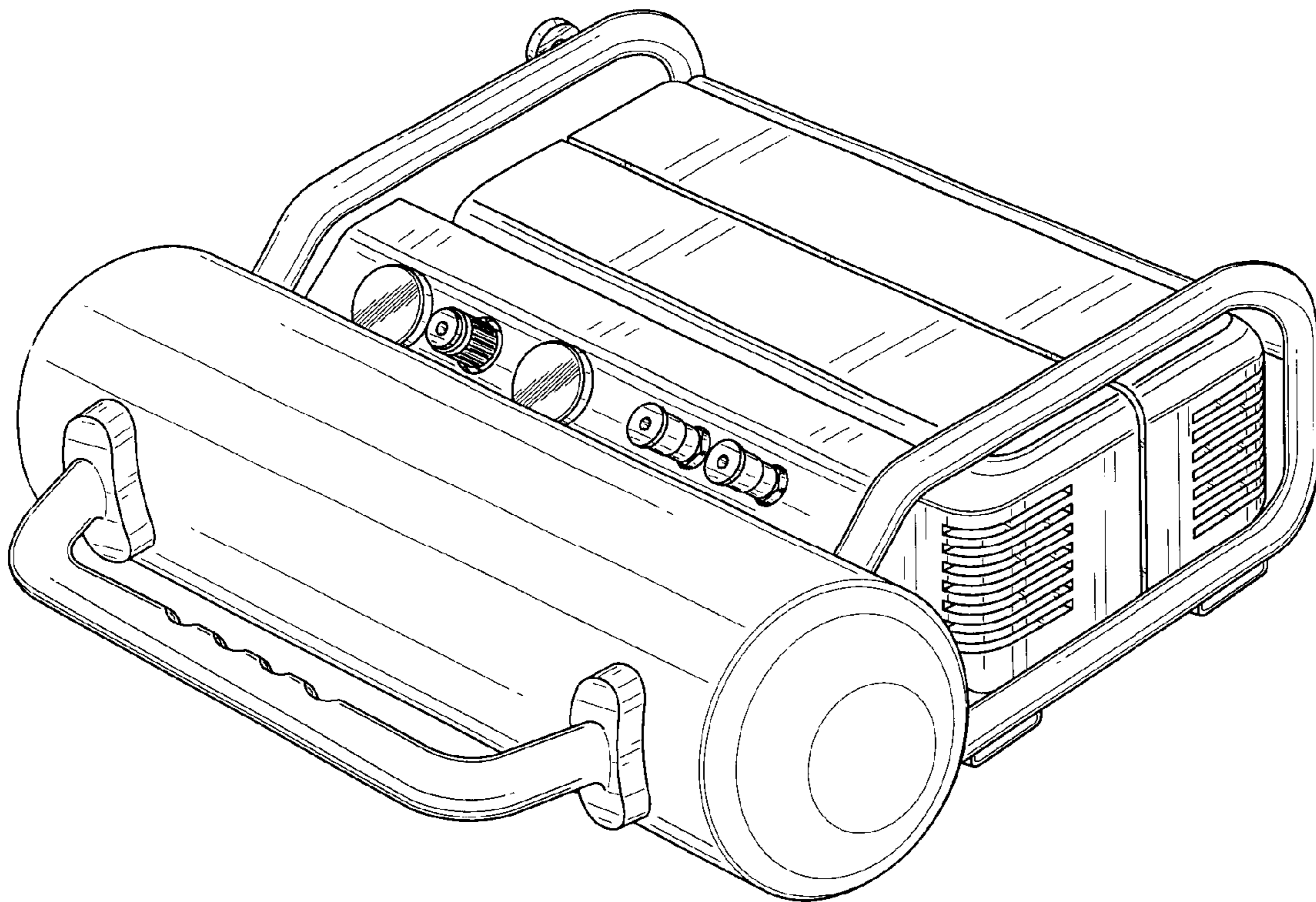


FIG. 1

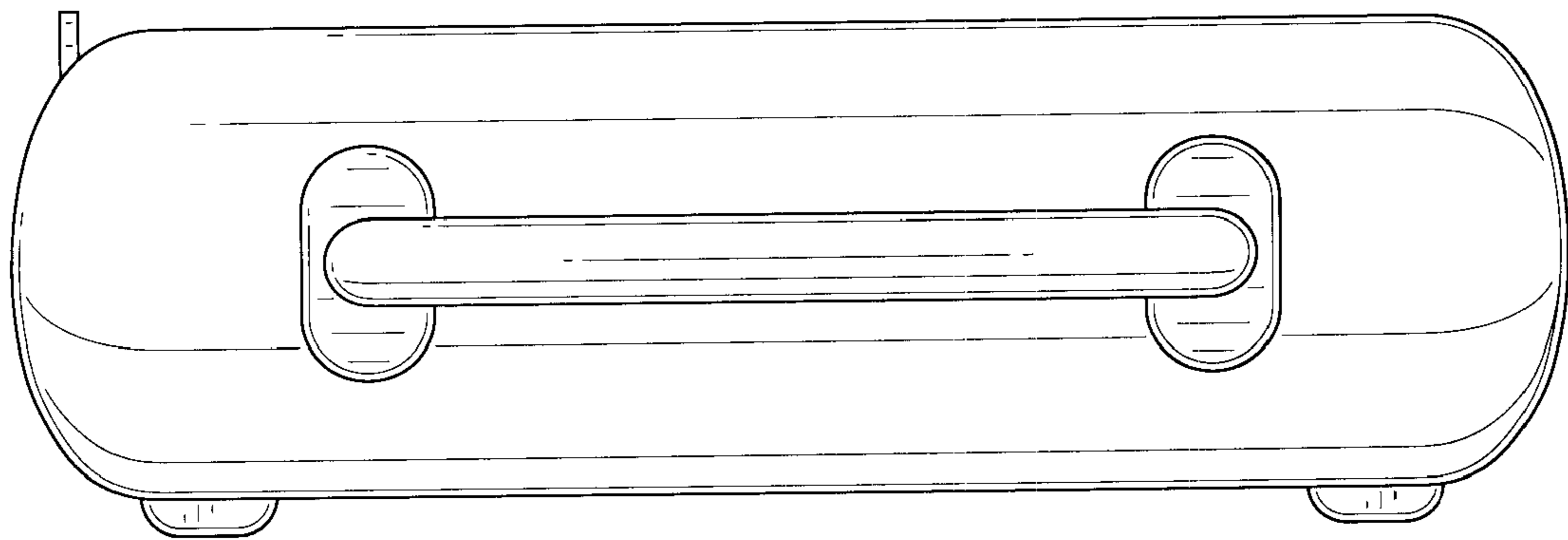


FIG. 2

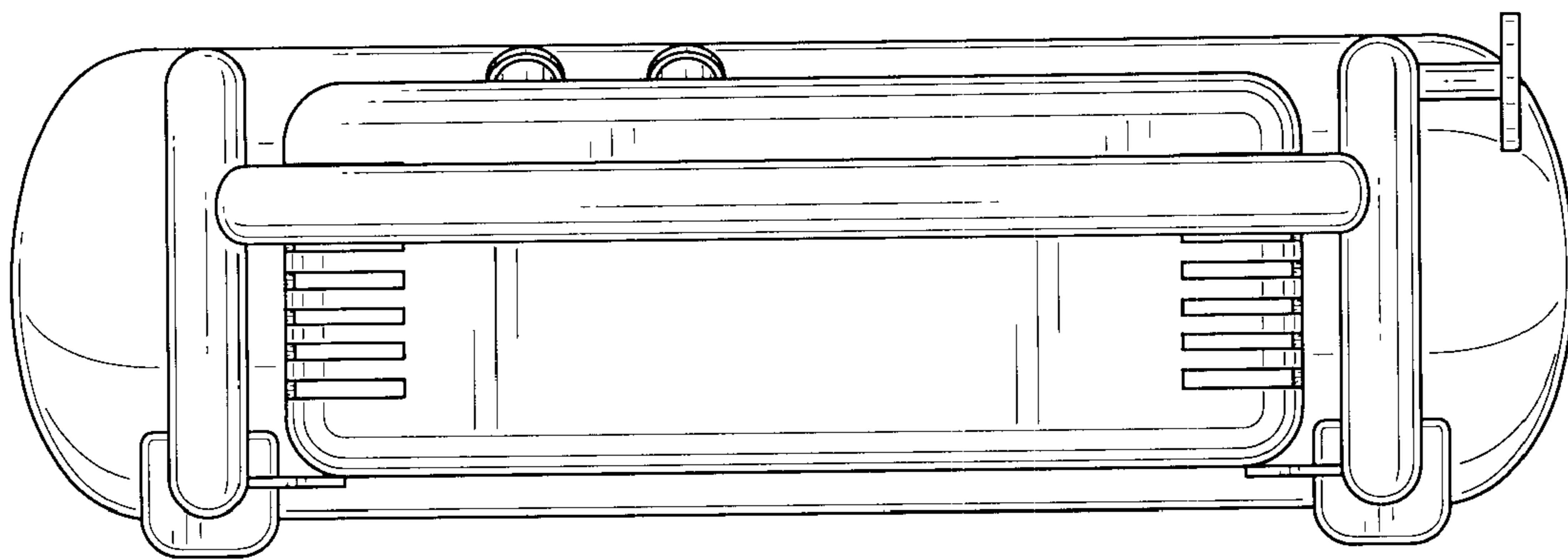


FIG. 3

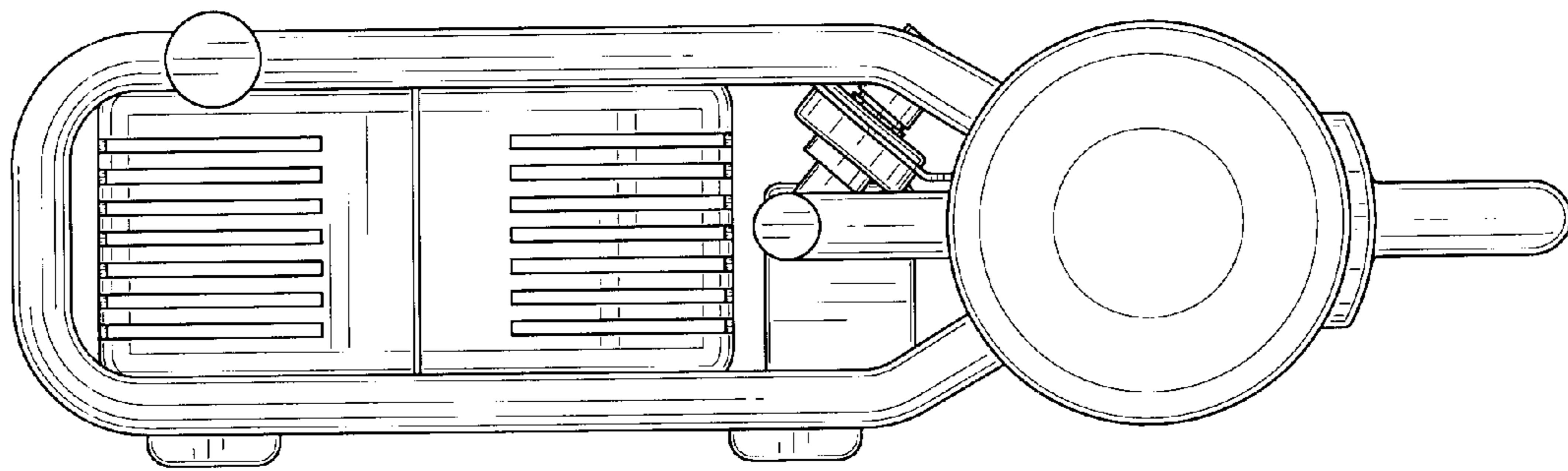


FIG. 4

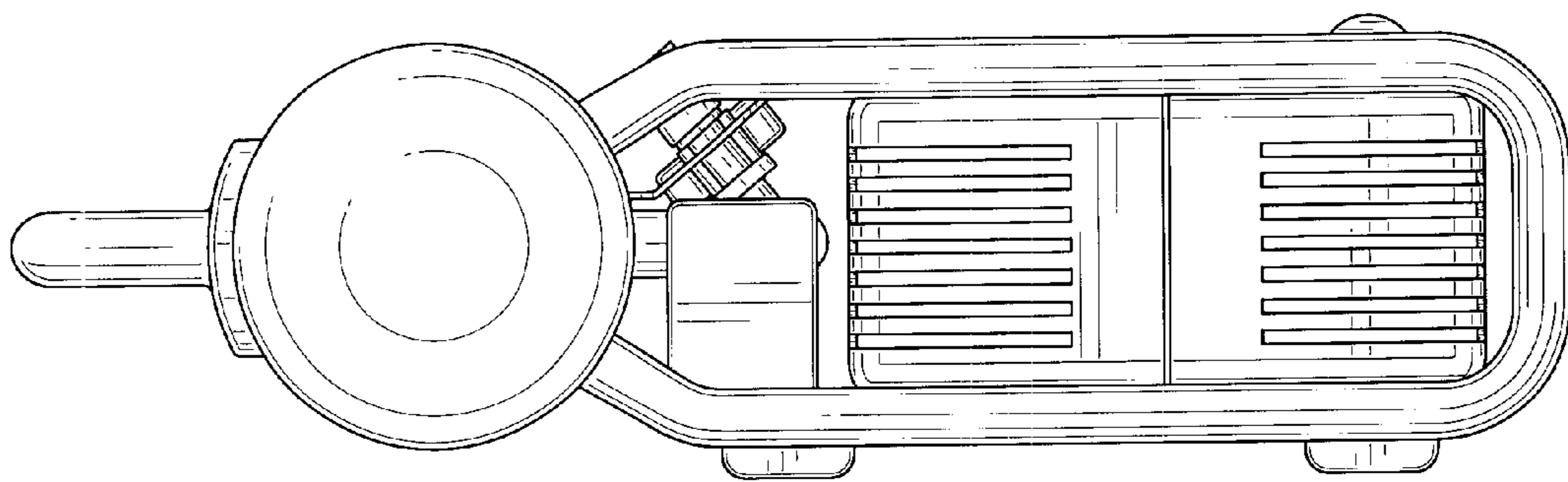


FIG. 5

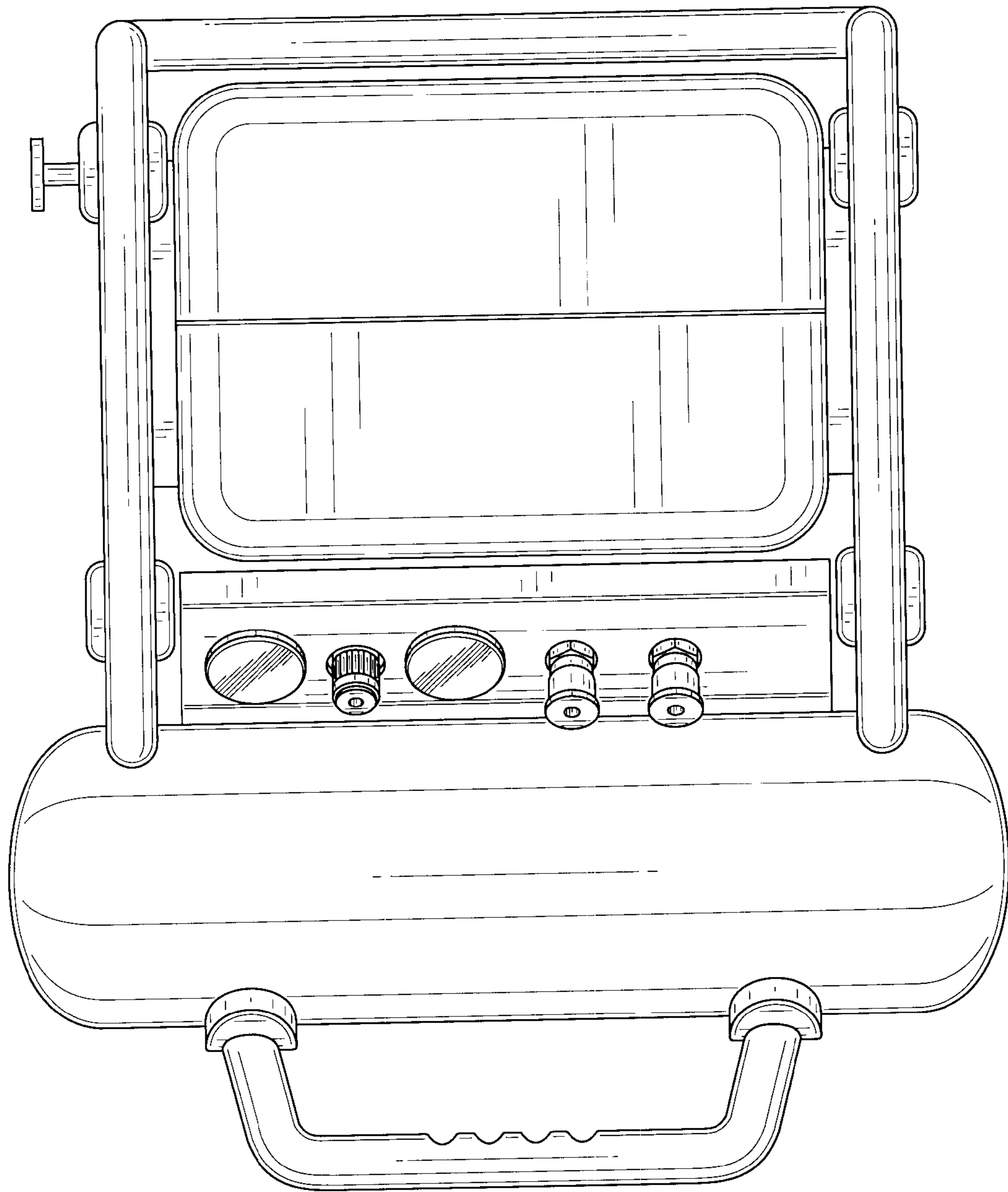


FIG. 6

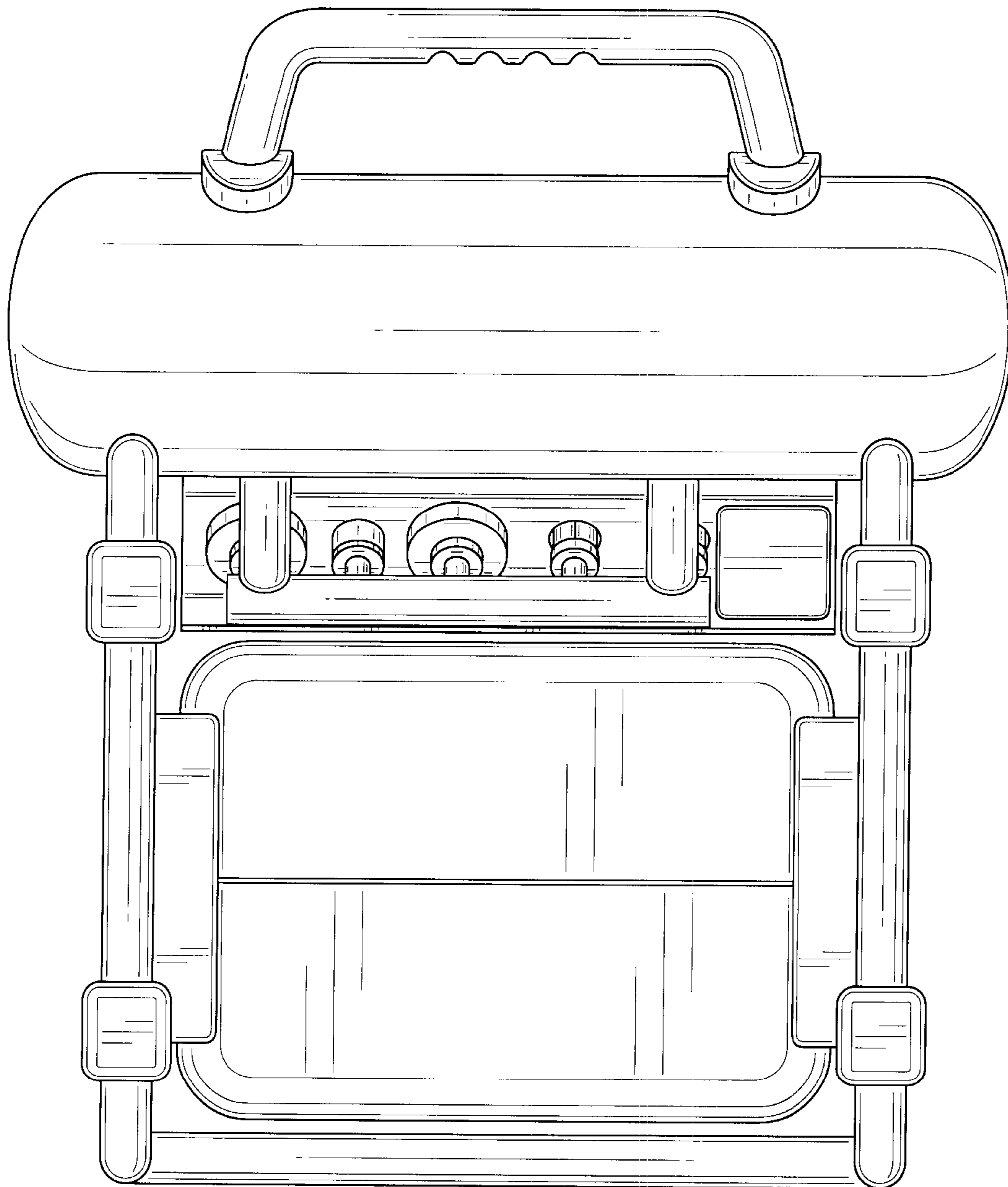


FIG. 7