

US00D512073S

(12) **United States Design Patent**  
**Rodarte**

(10) **Patent No.:** **US D512,073 S**  
(45) **Date of Patent:** **\*\* Nov. 29, 2005**

(54) **PORTABLE CLAMSHELL DIGITAL AUDIO PLAYER**

D494,189 S \* 8/2004 Ko et al. .... D14/496  
D499,424 S \* 12/2004 Bahroocha .... D14/496

(75) **Inventor:** **Luis Ernesto Elizalde Rodarte,**  
Durham, NC (US)

(73) **Assignee:** **International Business Machines Corporation,** Armonk, NY (US)

(\*\*) **Term:** **14 Years**

(21) **Appl. No.:** **29/213,909**

(22) **Filed:** **Sep. 23, 2004**

(51) **LOC (8) Cl.** ..... **14-03**

(52) **U.S. Cl.** ..... **D14/496**

(58) **Field of Search** ..... D14/496, 435,  
D14/474, 483, 217, 188, 204, 156, 157,  
160, 167, 168; 369/1, 2, 75.11, 86, 99,  
12; 370/342-344; 455/344-351; 273/148 B;  
463/1, 43-47; D9/420-425

(56) **References Cited**

**U.S. PATENT DOCUMENTS**

5,214,514 A	*	5/1993	Haberkern	.....	386/97
5,349,575 A	*	9/1994	Park	.....	369/1
6,041,023 A	*	3/2000	Lakhansingh	.....	369/7
D474,510 S	*	5/2003	Fayram et al.	.....	D21/330
D484,472 S	*	12/2003	Isshiki	.....	D14/132
D484,918 S	*	1/2004	Okada et al.	.....	D21/330
D488,470 S	*	4/2004	Morisawa	.....	D14/345

**OTHER PUBLICATIONS**

New Dell DJ20, 1999-2005 (C), from Dell web page.\*  
Samsung YP-T5V, 2005 (C) from web page.\*  
San Disk Digital Audio Player from web page, May 26, 2005.\*

\* cited by examiner

*Primary Examiner*—Prabhakar Deshmukh

(74) *Attorney, Agent, or Firm*—James R. Nock

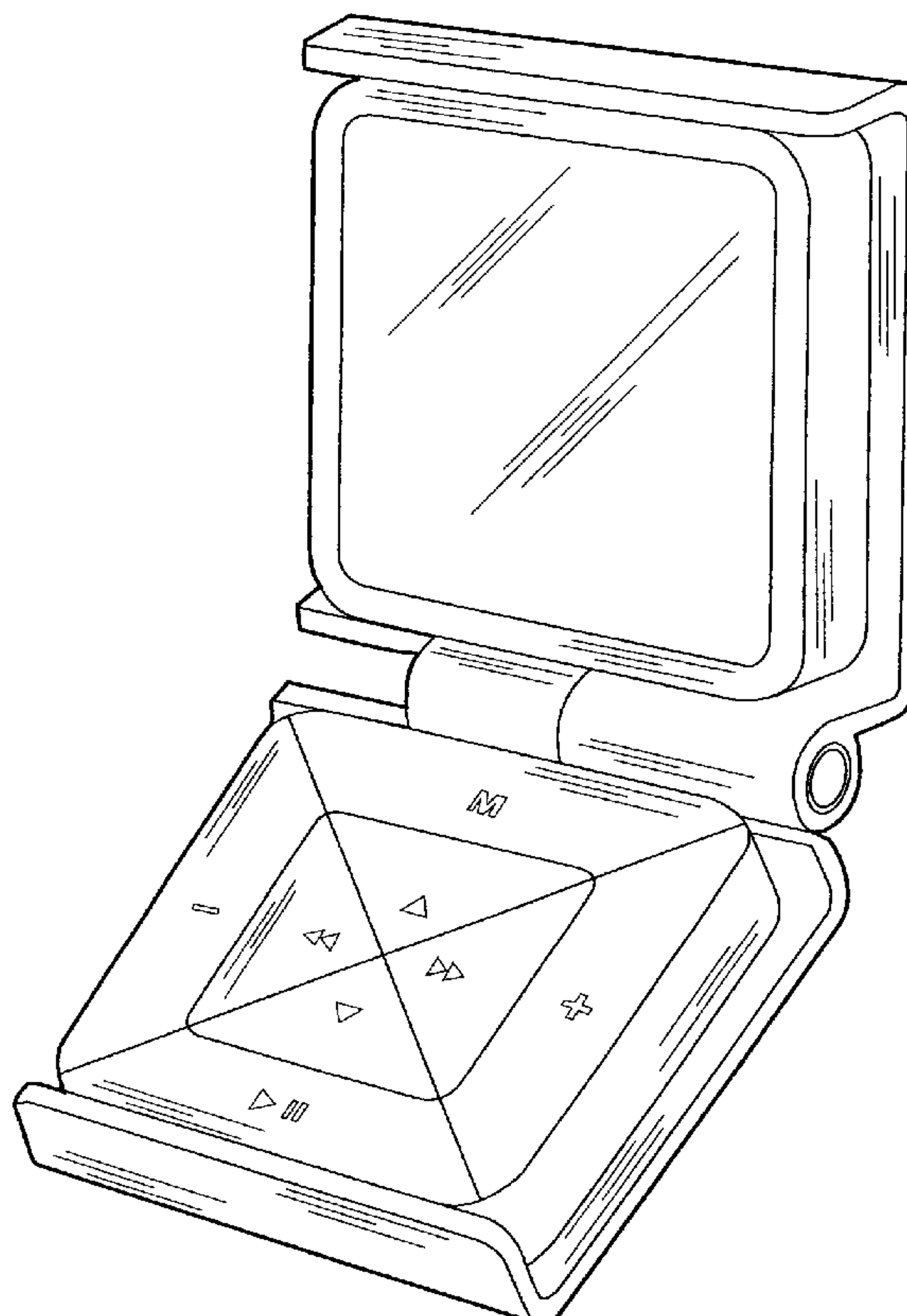
(57) **CLAIM**

The ornamental design for a portable clamshell digital audio player, as shown and described.

**DESCRIPTION**

FIG. 1 is a front, right perspective view of the portable clamshell digital audio player, with the player open; FIG. 2 is a front view thereof, with the player open; FIG. 3 is a left view thereof, with the player open; FIG. 4 is a right view thereof, with the player open; FIG. 5 is a back view thereof, with the player open; FIG. 6 is a front view thereof, with the player closed; FIG. 7 is a right view thereof, with the player closed; FIG. 8 is a left view thereof, with the player closed; FIG. 9 is a top view thereof, with the player closed; and, FIG. 10 is a bottom view thereof, with the player closed.

**1 Claim, 10 Drawing Sheets**



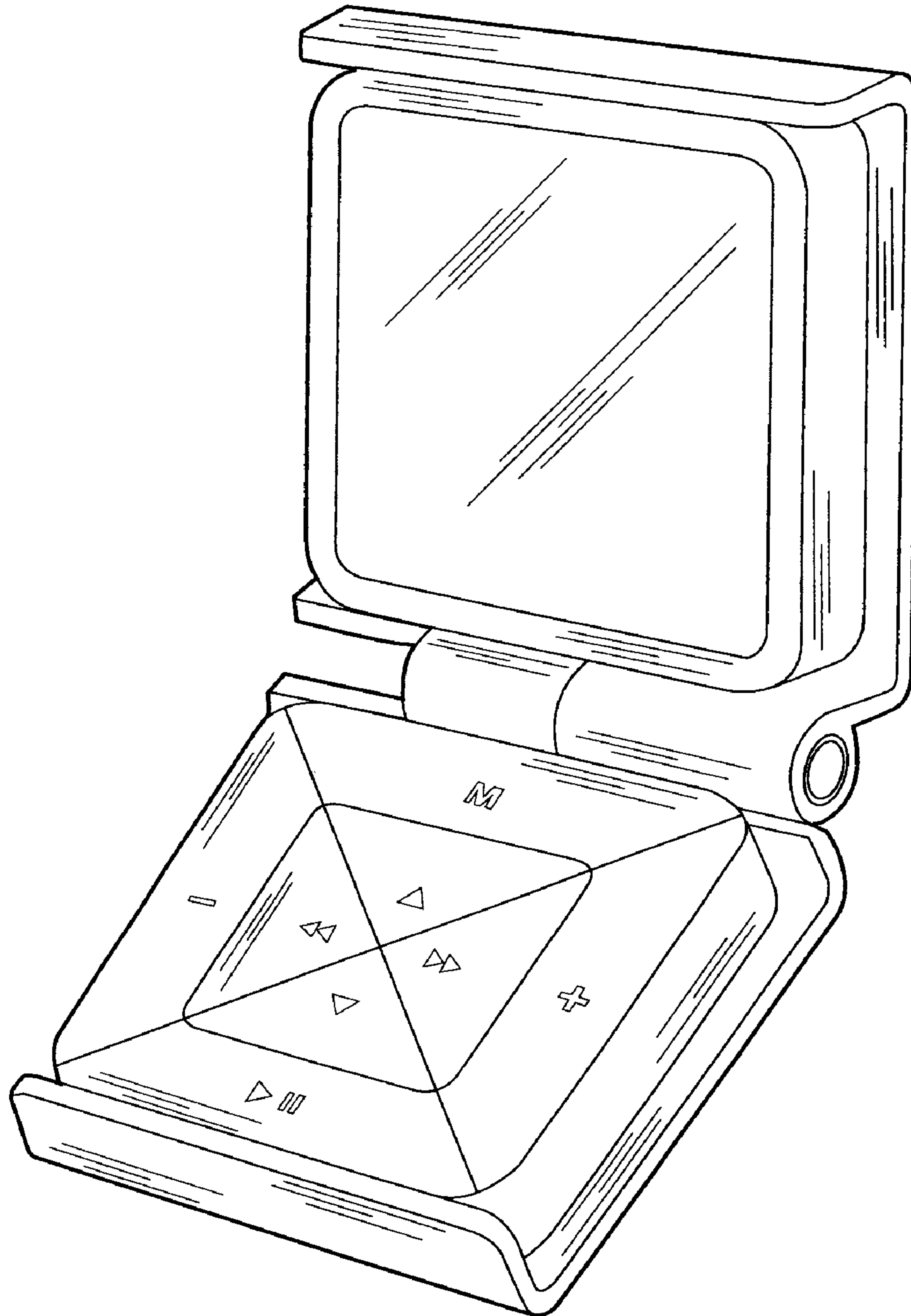


Fig. 1

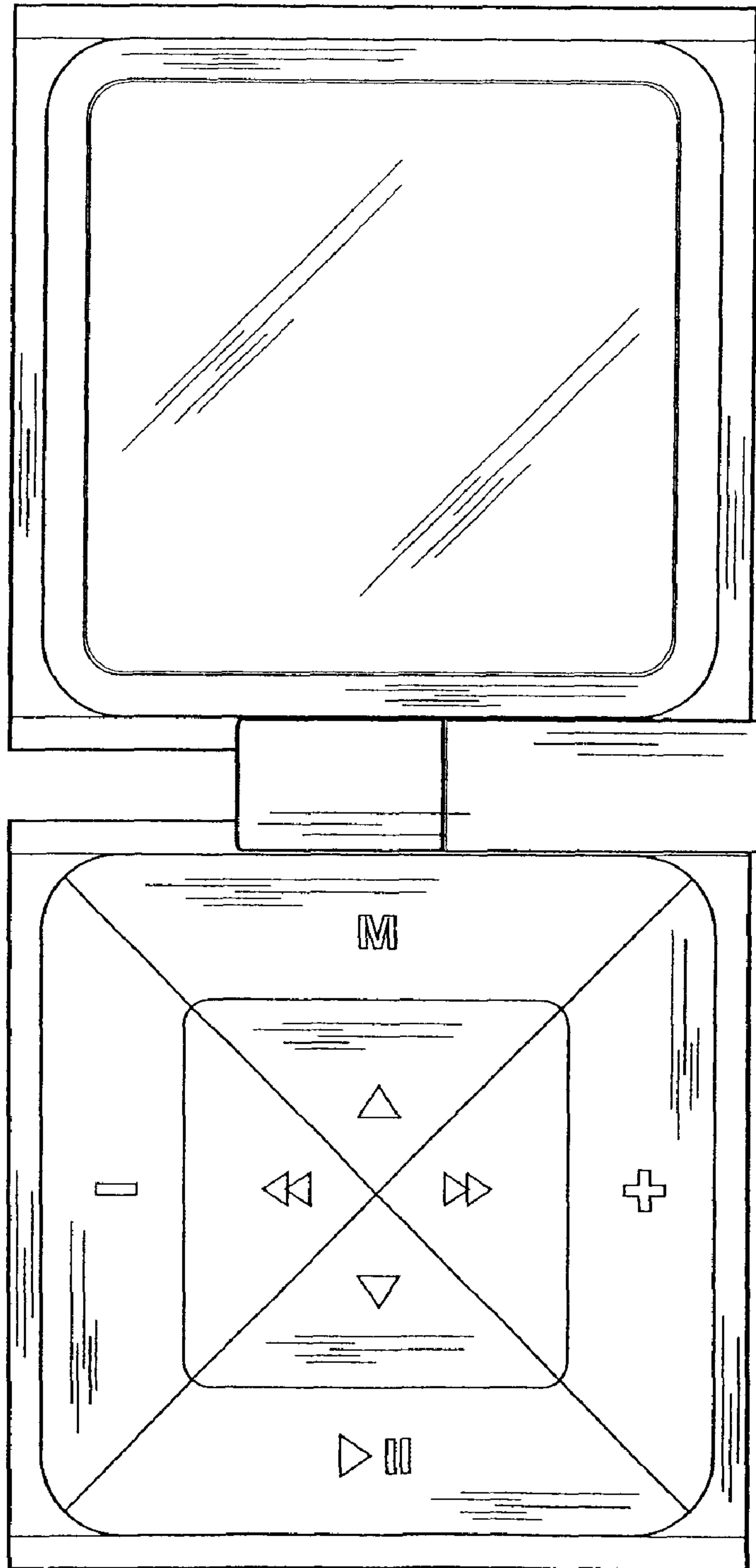


Fig. 2

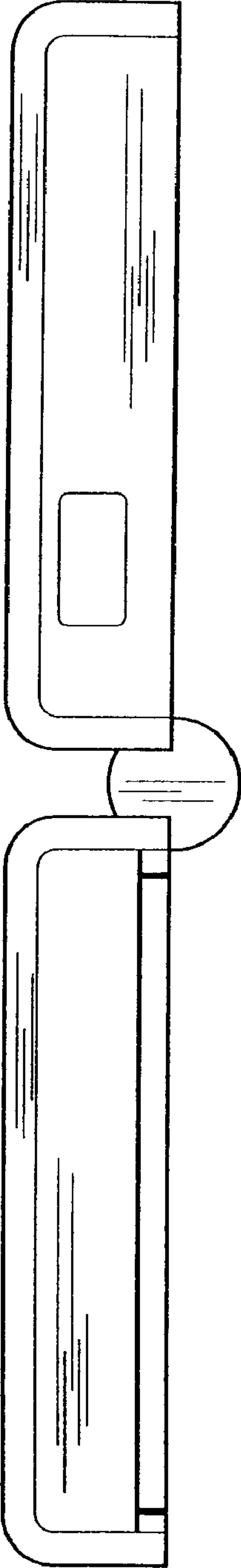


Fig. 3

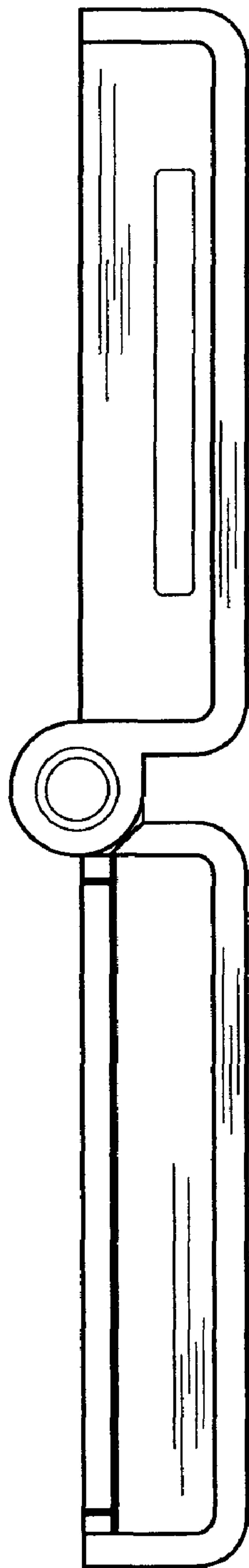


Fig. 4

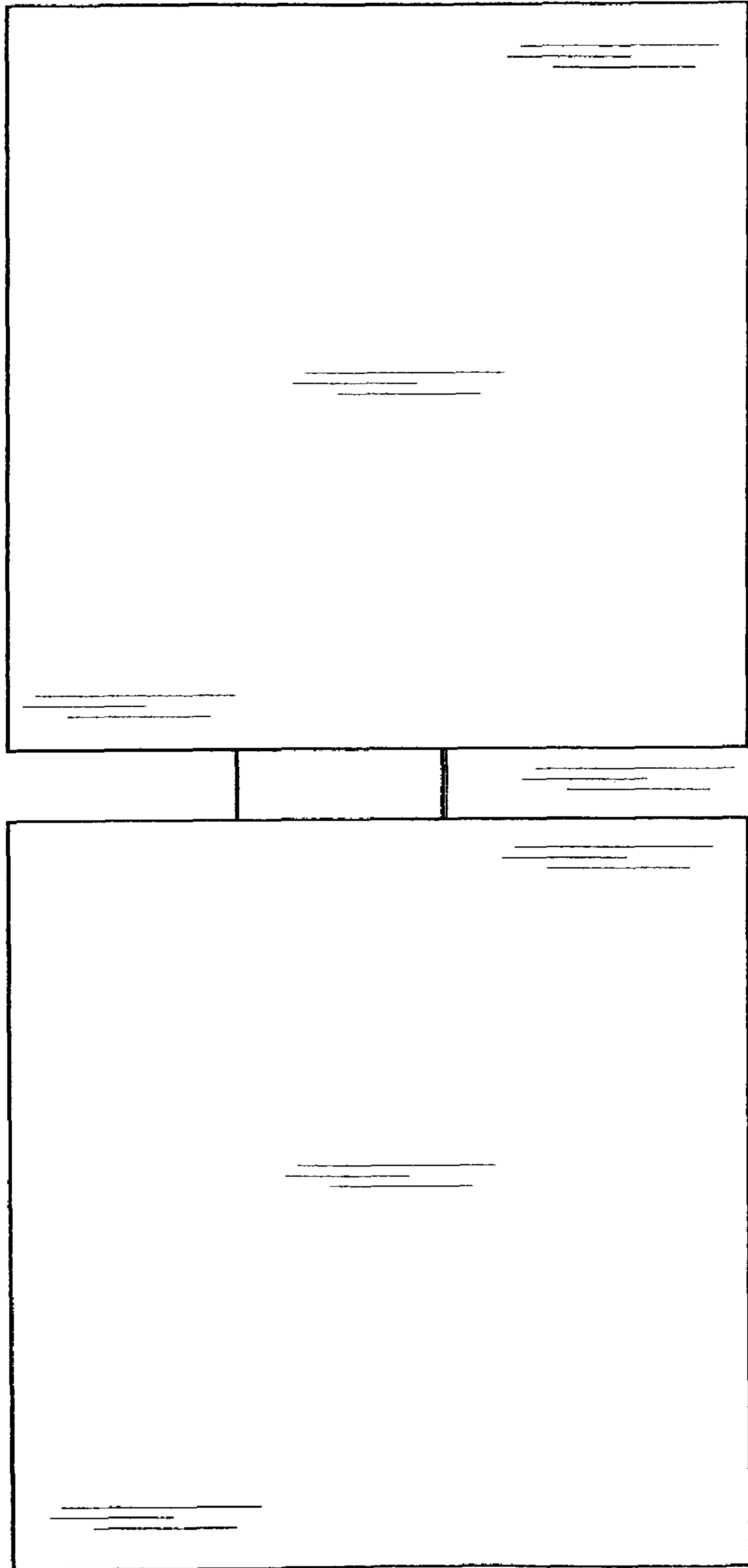


Fig. 5

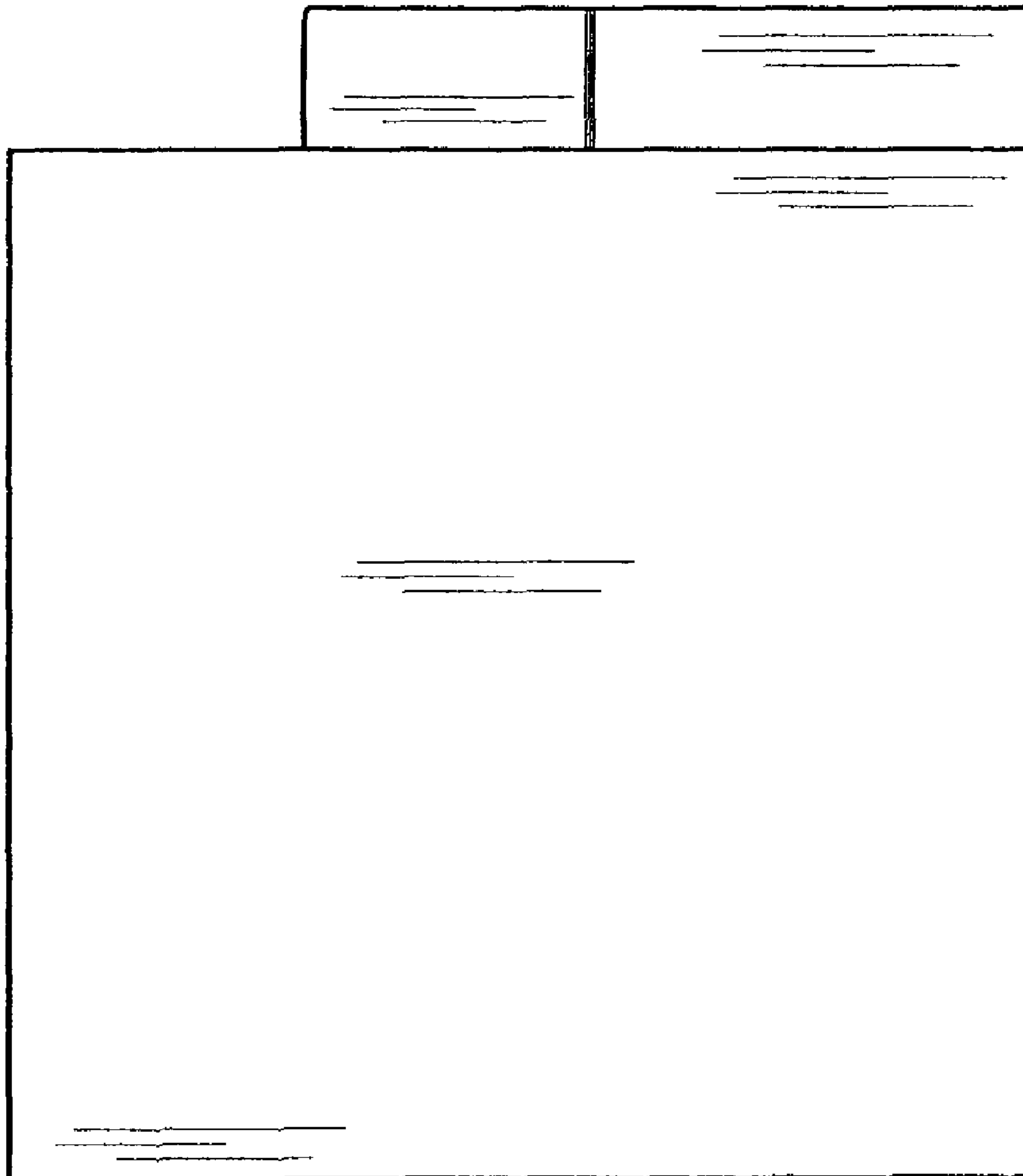


Fig. 6

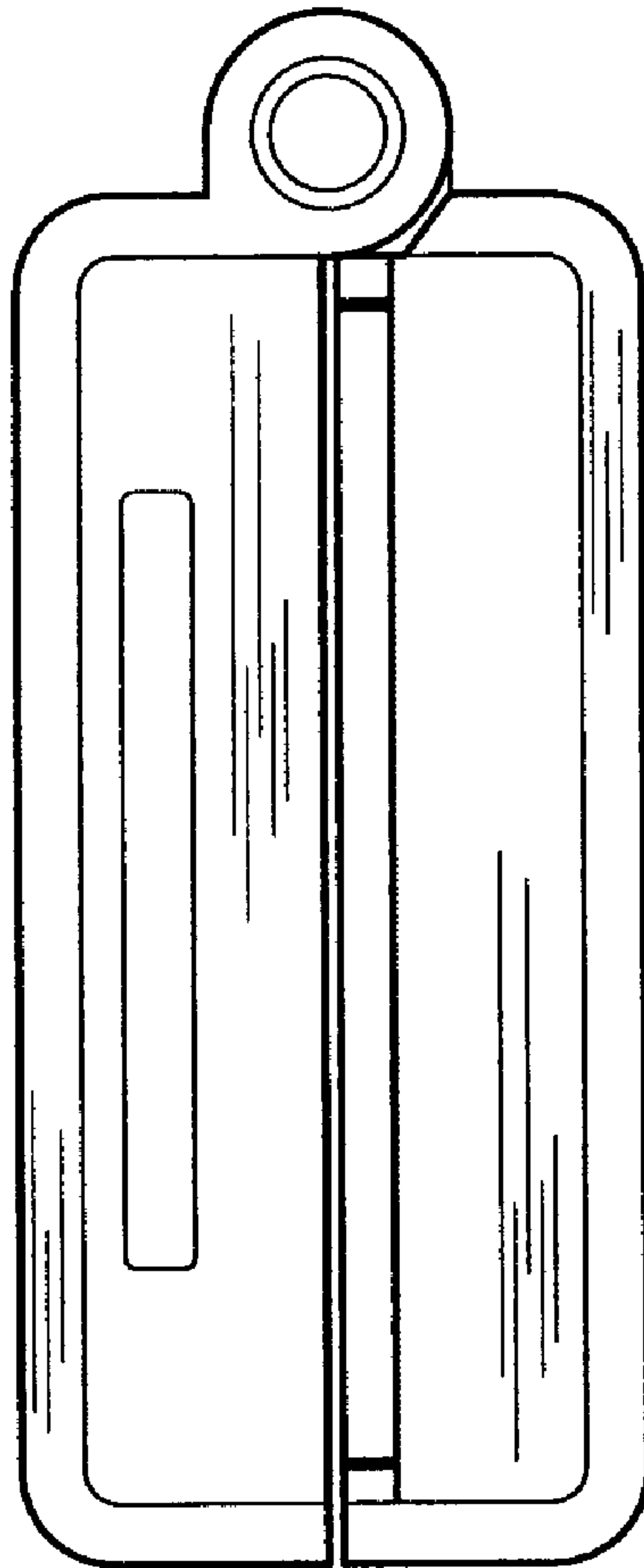


Fig. 7



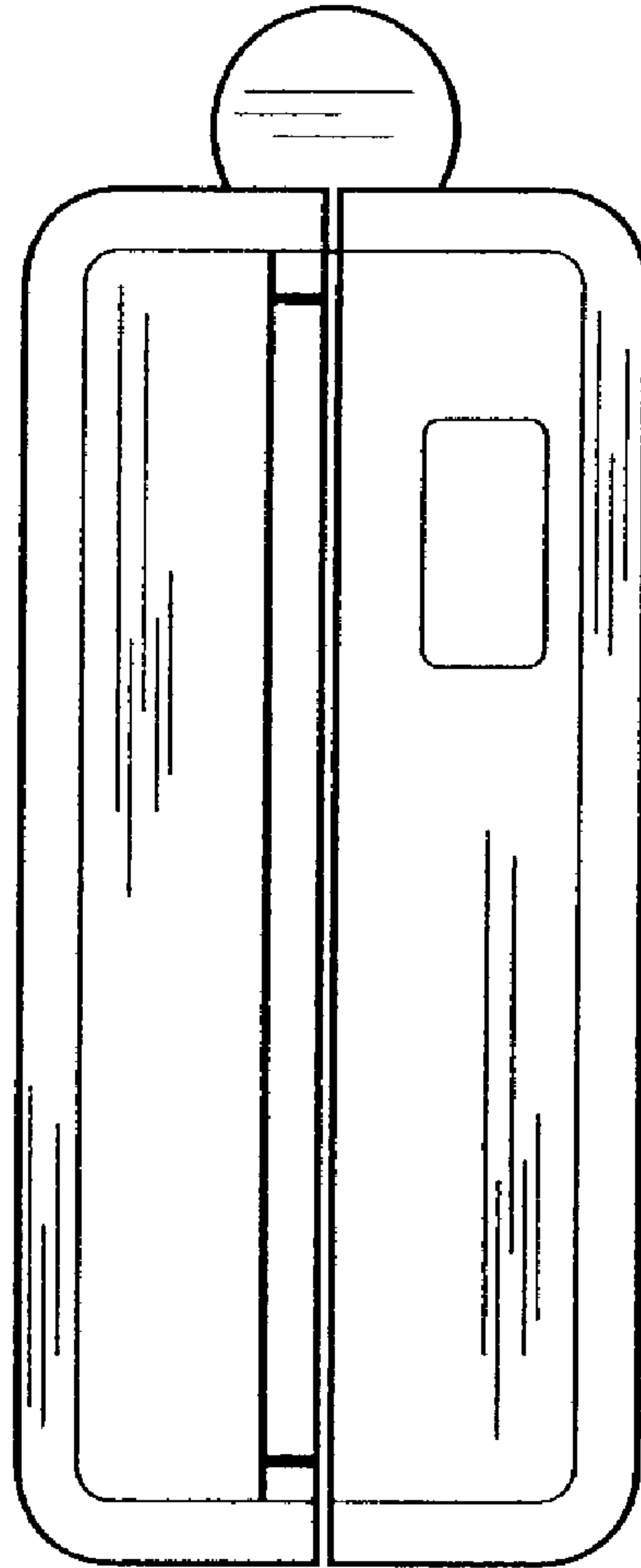


Fig. 8

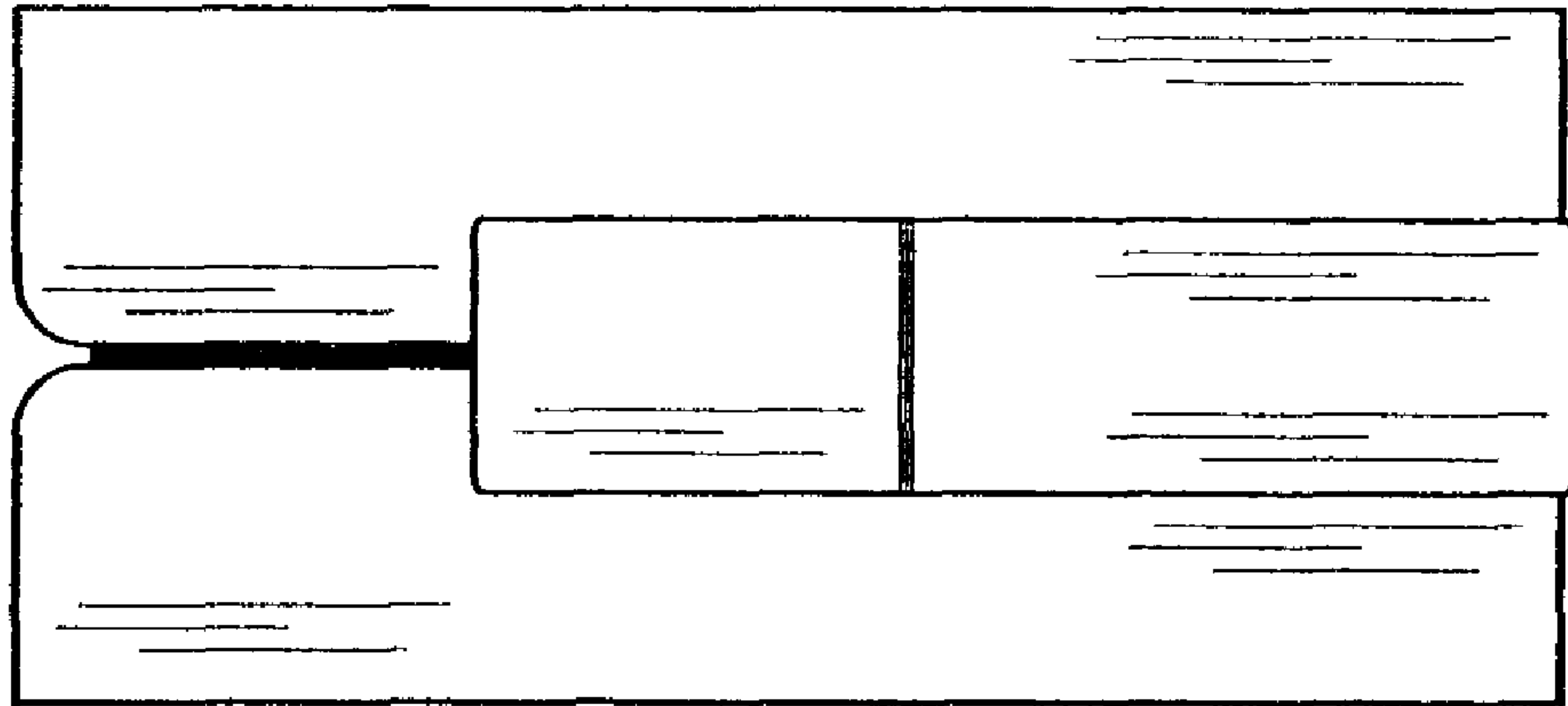


Fig. 9

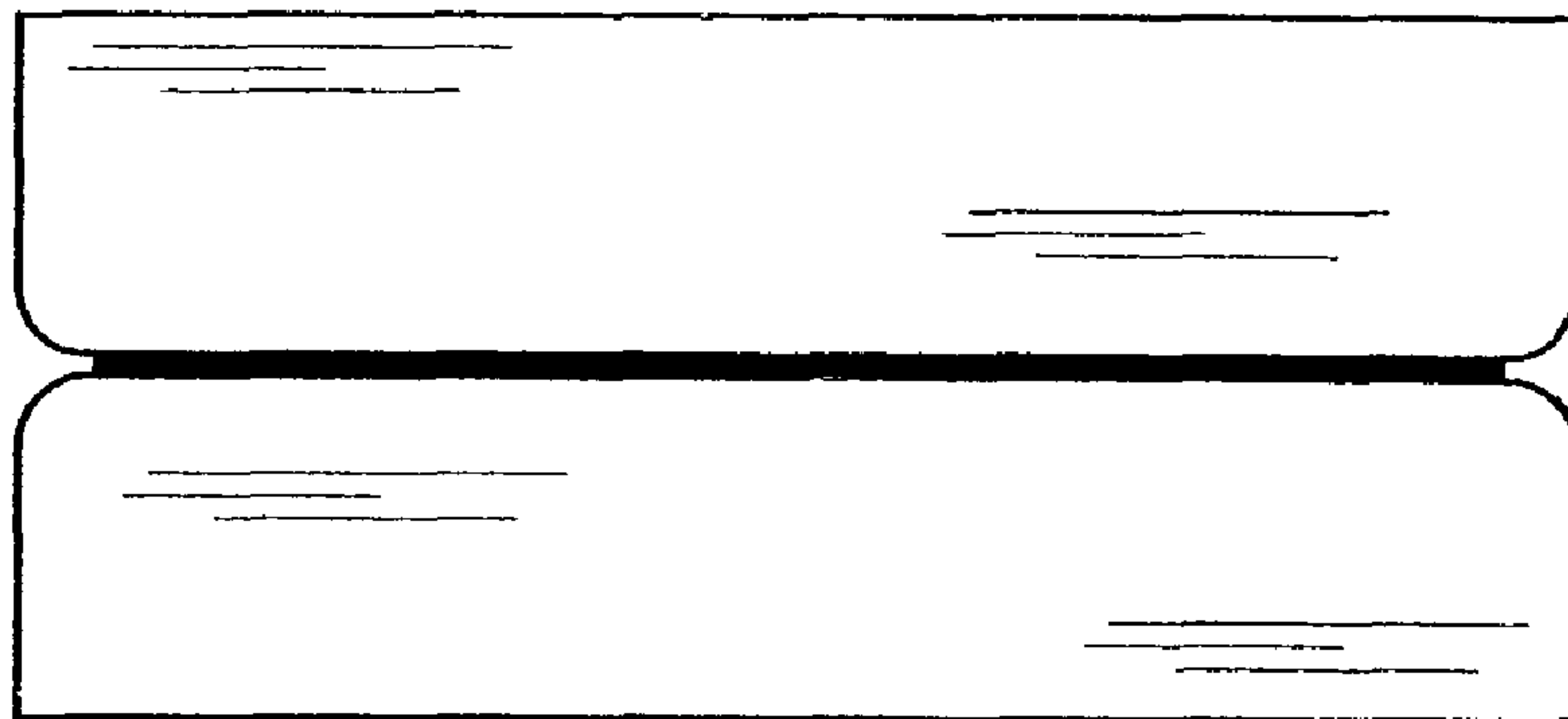


Fig. 10