



US00D512065S

(12) **United States Design Patent**
Ko et al.

(10) **Patent No.:** **US D512,065 S**
(45) **Date of Patent:** **** Nov. 29, 2005**

- (54) **SCANNER WITH A STAND**
- (75) Inventors: **Ti-Chieh Ko**, Taipei (TW); **Hsun-Li Huang**, Hsinchu (TW)
- (73) Assignee: **Benq Corporation**, Taoyuan (TW)
- (**) Term: **14 Years**
- (21) Appl. No.: **29/210,414**
- (22) Filed: **Jul. 30, 2004**
- (30) **Foreign Application Priority Data**
Jun. 1, 2004 (TW) 93303238
- (51) **LOC (8) Cl.** **14-02**
- (52) **U.S. Cl.** **D14/420**
- (58) **Field of Search** D14/420-21, 424;
358/497, 473, 474, 471, 494; 250/208.1;
382/313, 312, 315, 321; 399/7, 211

- (56) **References Cited**
U.S. PATENT DOCUMENTS
D325,729 S * 4/1992 Forsythe et al. D14/420
D387,337 S * 12/1997 Sween et al. D14/420
D389,463 S * 1/1998 Kasahara D14/425
D390,861 S * 2/1998 Liao D16/225
D396,452 S * 7/1998 Naruki D14/424
D414,753 S * 10/1999 Inukai D14/424
6,172,360 B1 * 1/2001 Khovaylo et al. 250/235

- D442,596 S * 5/2001 Lin et al. D14/421
- 6,233,064 B1 * 5/2001 Griffin 358/474
- D464,969 S * 10/2002 Byun et al. D14/420
- D486,827 S * 2/2004 Detallante D14/420
- 2003/0059127 A1 * 3/2003 Khovaylo et al. 382/321

* cited by examiner

Primary Examiner—Stella Reid
Assistant Examiner—Susan Moon Lee

(74) *Attorney, Agent, or Firm*—Thomas, Kayden, Horstemeyer & Risley

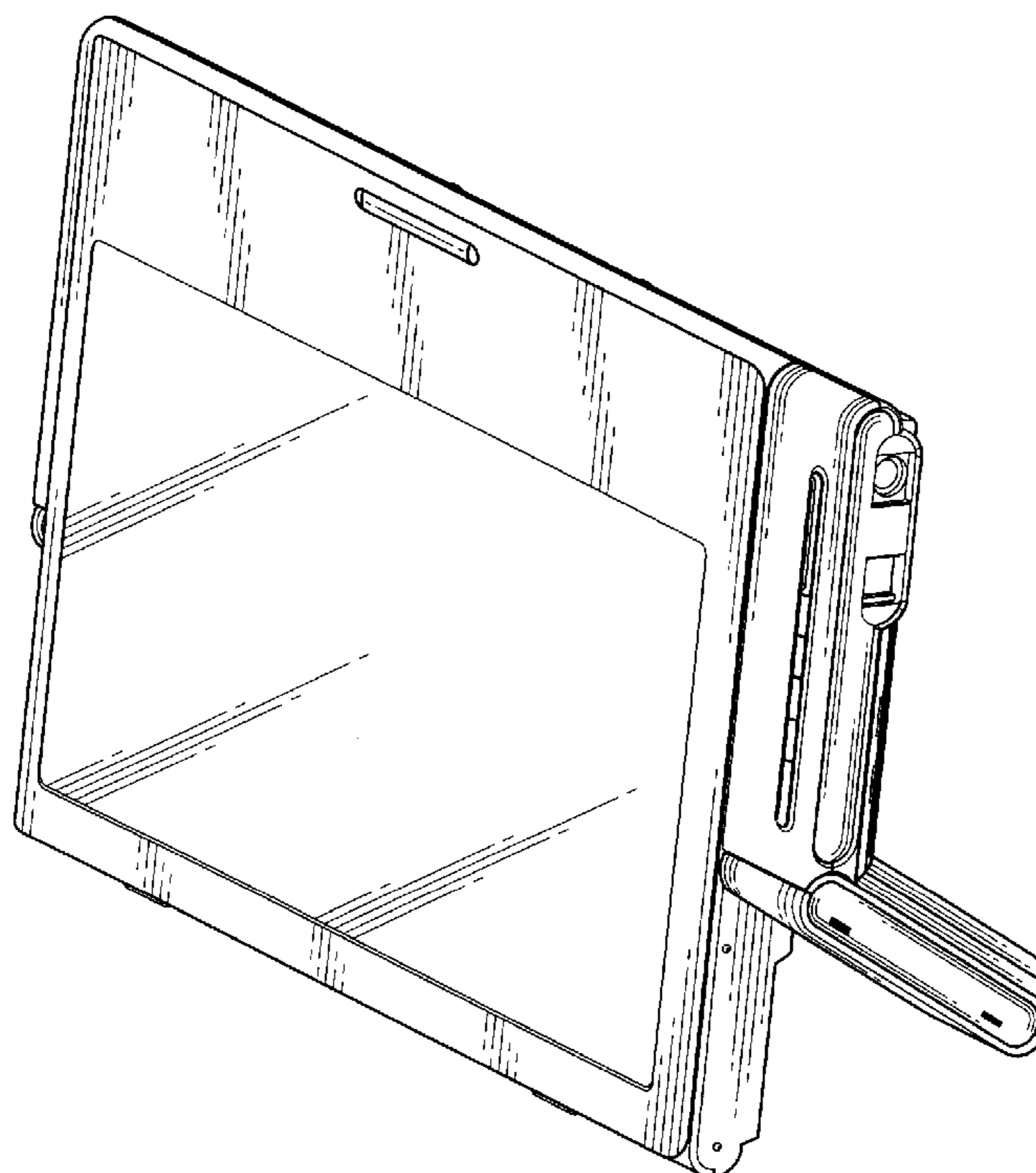
(57) **CLAIM**

The ornamental design for a scanner with a stand, as shown and described.

DESCRIPTION

FIG. 1 is a perspective view of the present invention with an open stand;
 FIG. 2 is a front elevational view thereof with an open stand;
 FIG. 3 is a rear elevational view thereof with an open stand;
 FIG. 4 is a left side elevational view thereof with an open stand;
 FIG. 5 is a right side elevational view thereof with an open stand;
 FIG. 6 is a top plane view thereof with an open stand;
 FIG. 7 is a bottom plane view thereof with an open stand;
 FIG. 8 is a perspective view thereof with a closed stand; and,
 FIG. 9 is a front elevational view thereof with a closed stand.

1 Claim, 6 Drawing Sheets



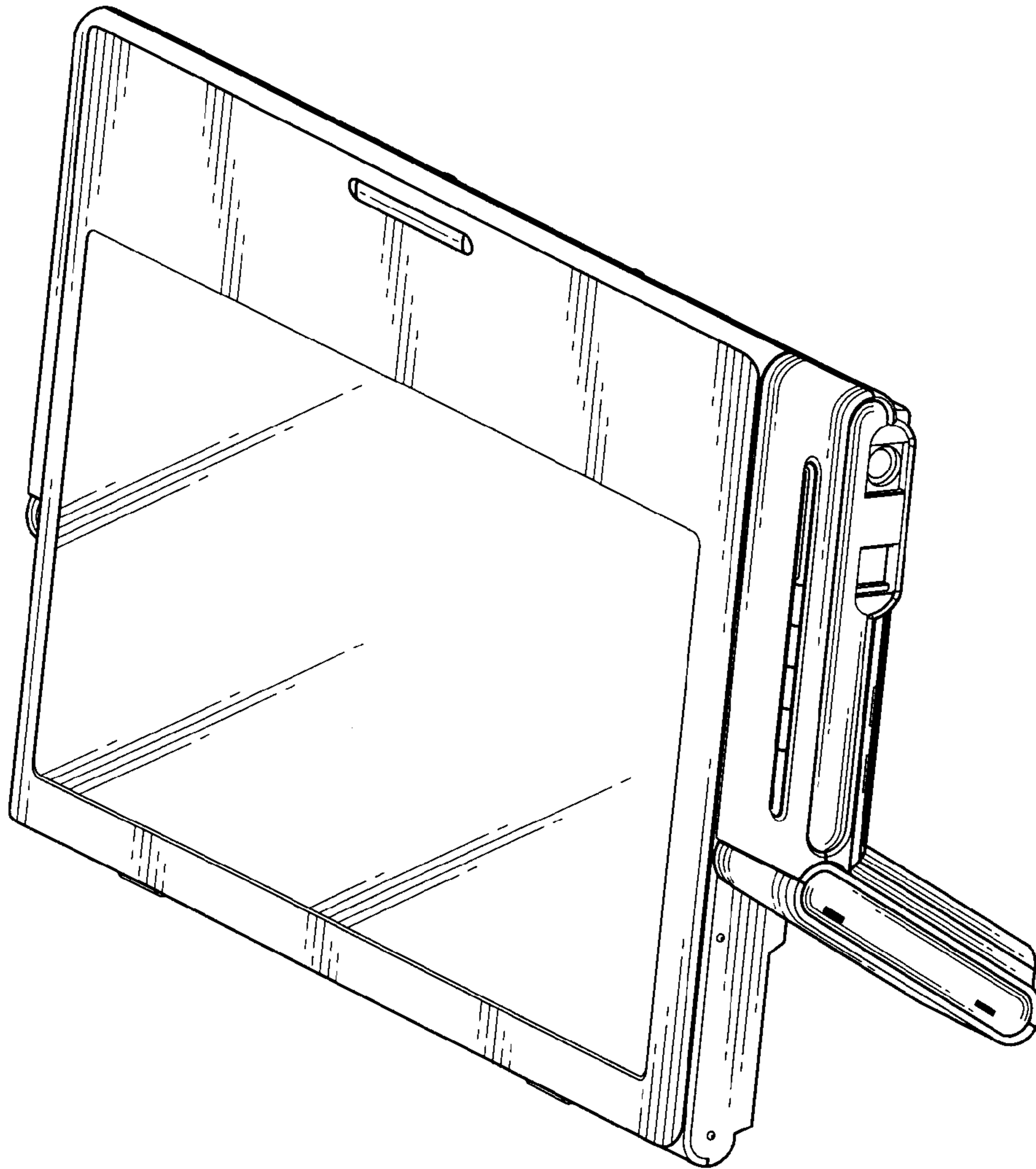


FIG. 1

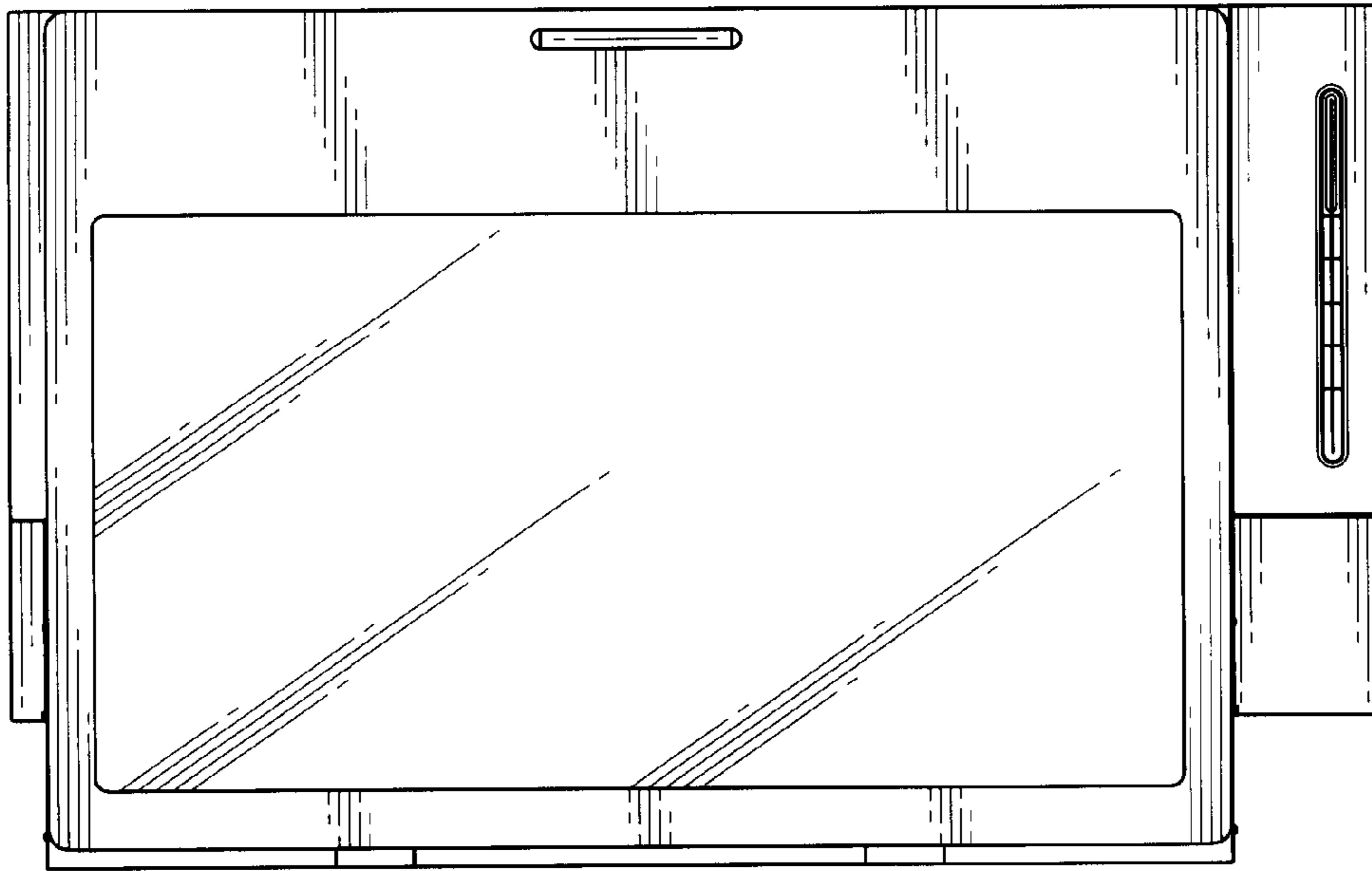


FIG. 2

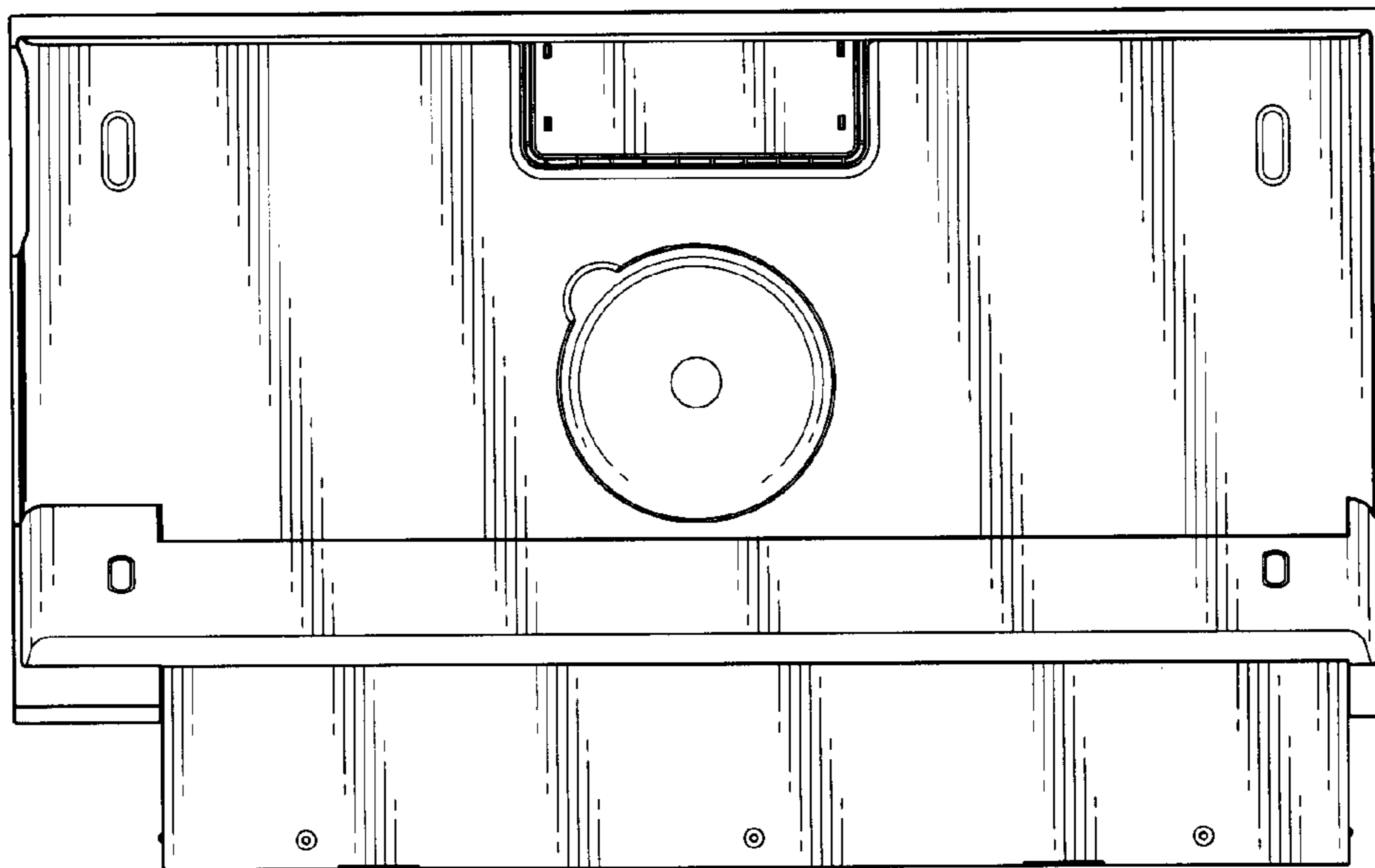


FIG. 3

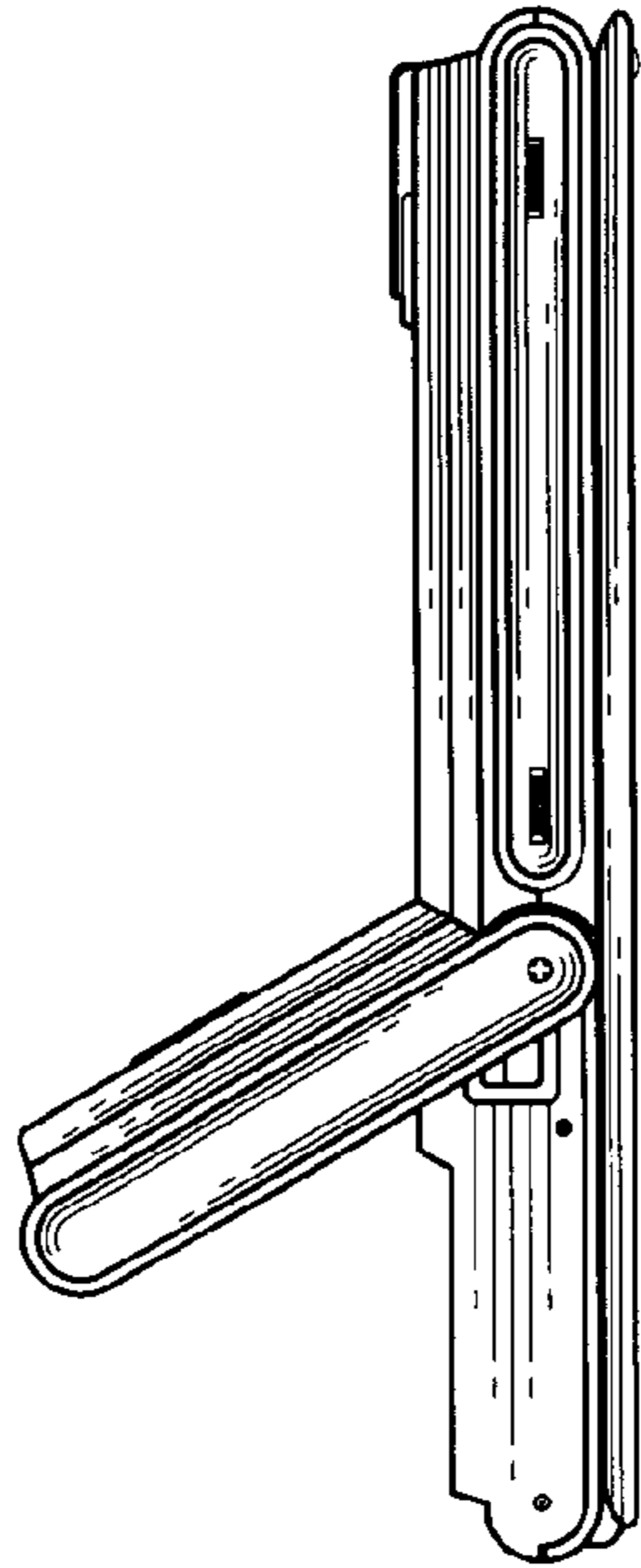


FIG. 4

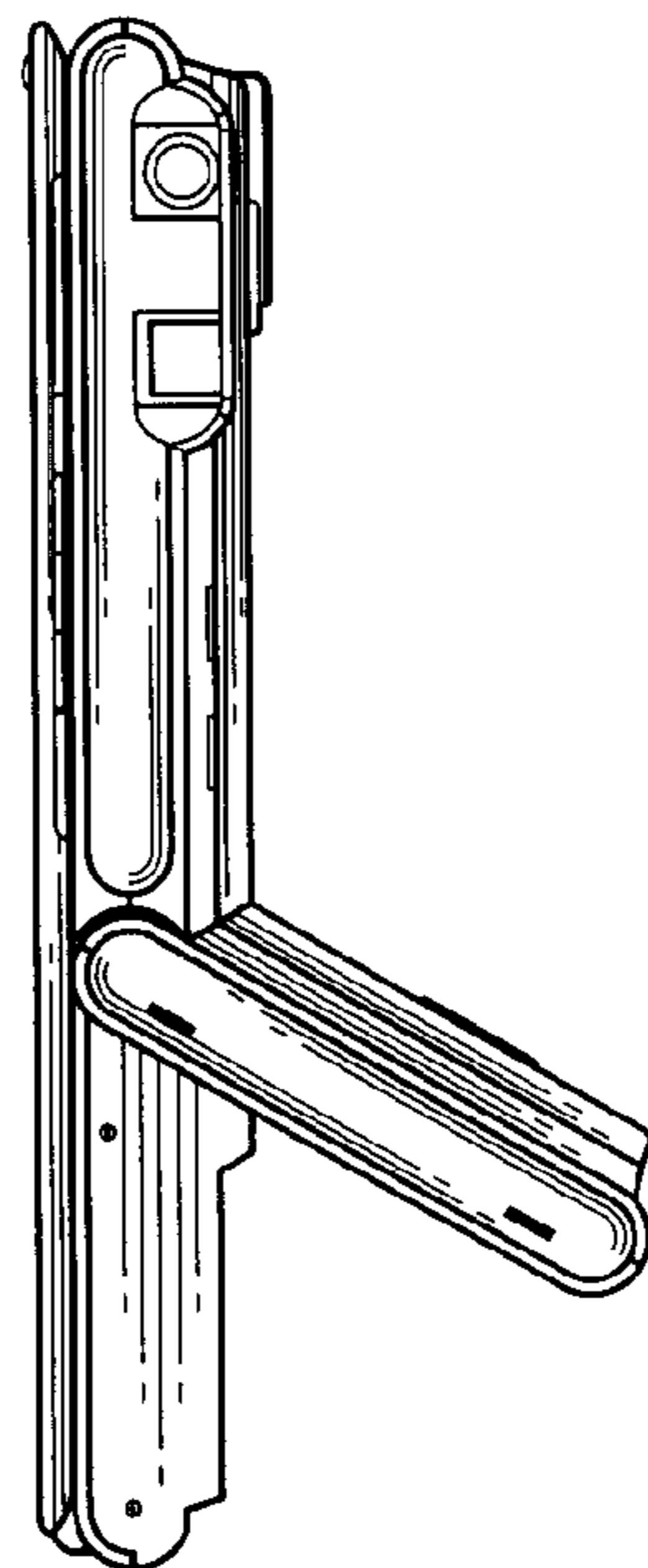


FIG. 5

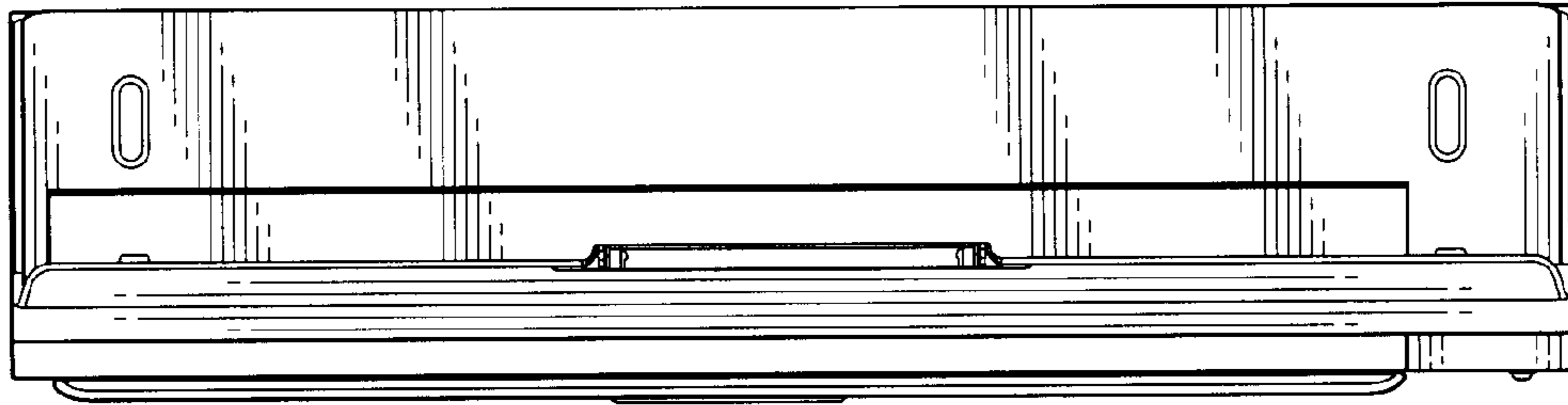


FIG. 6

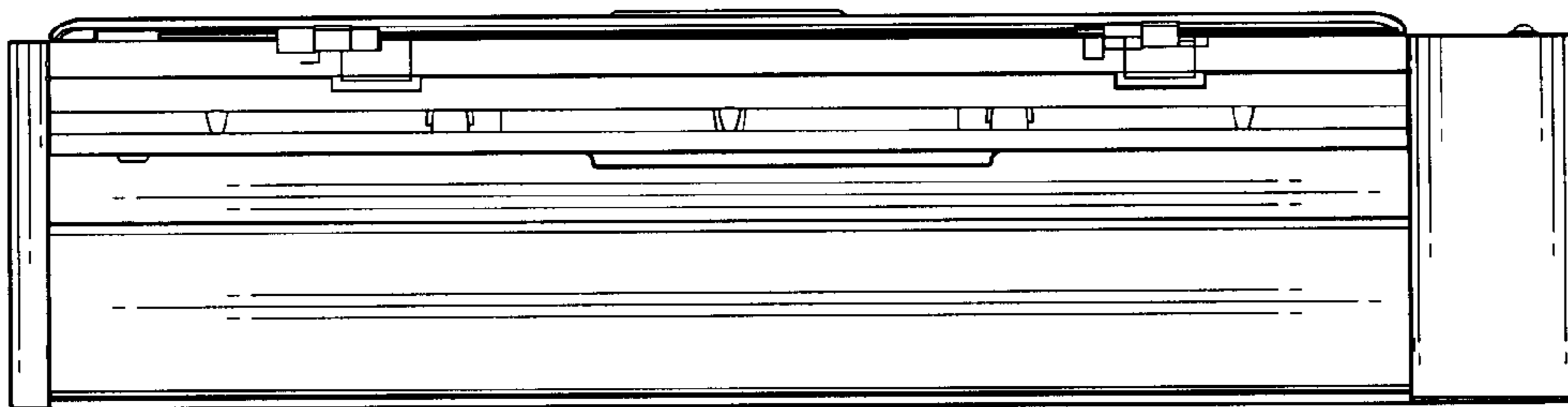


FIG. 7

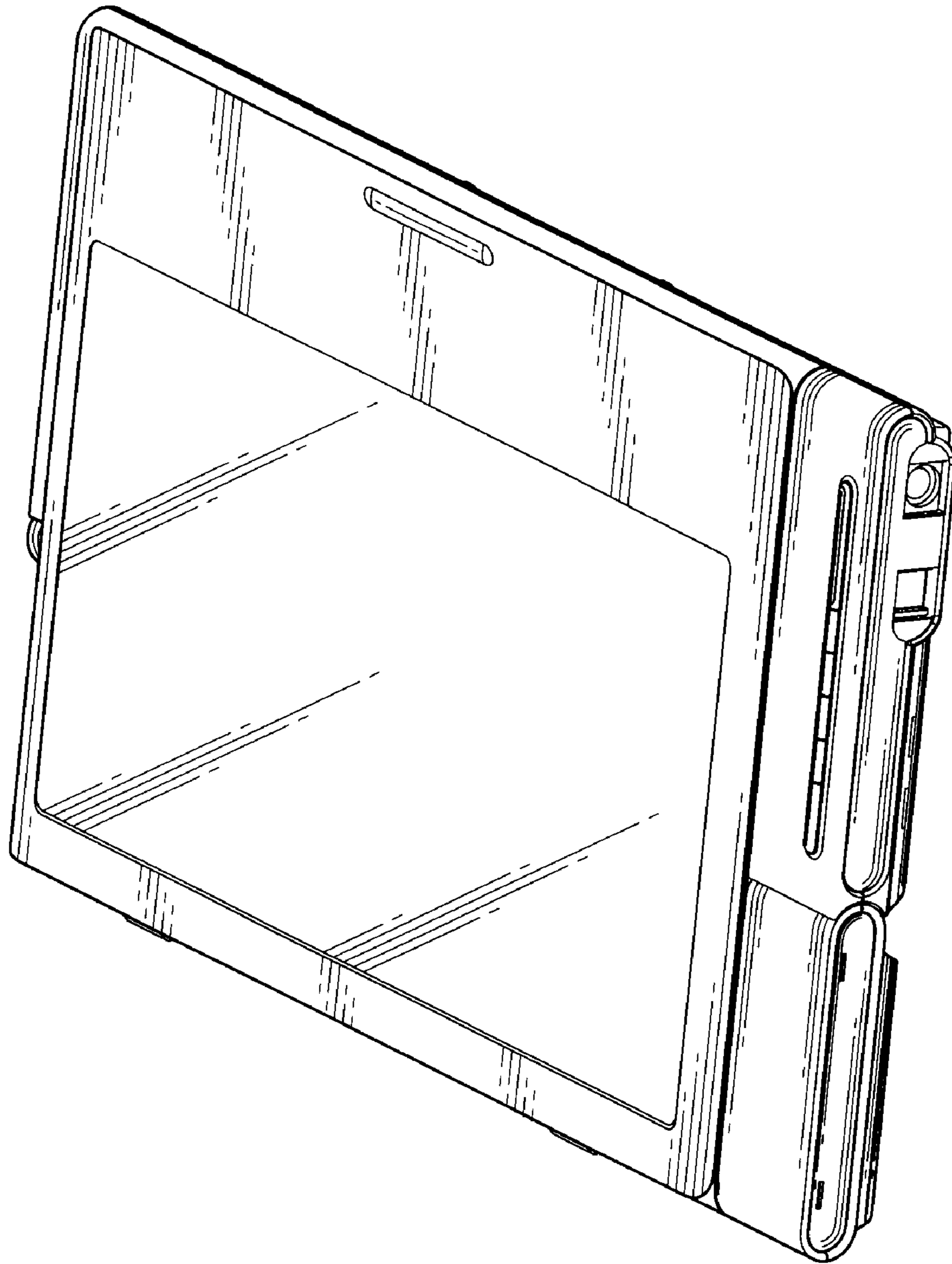


FIG. 8

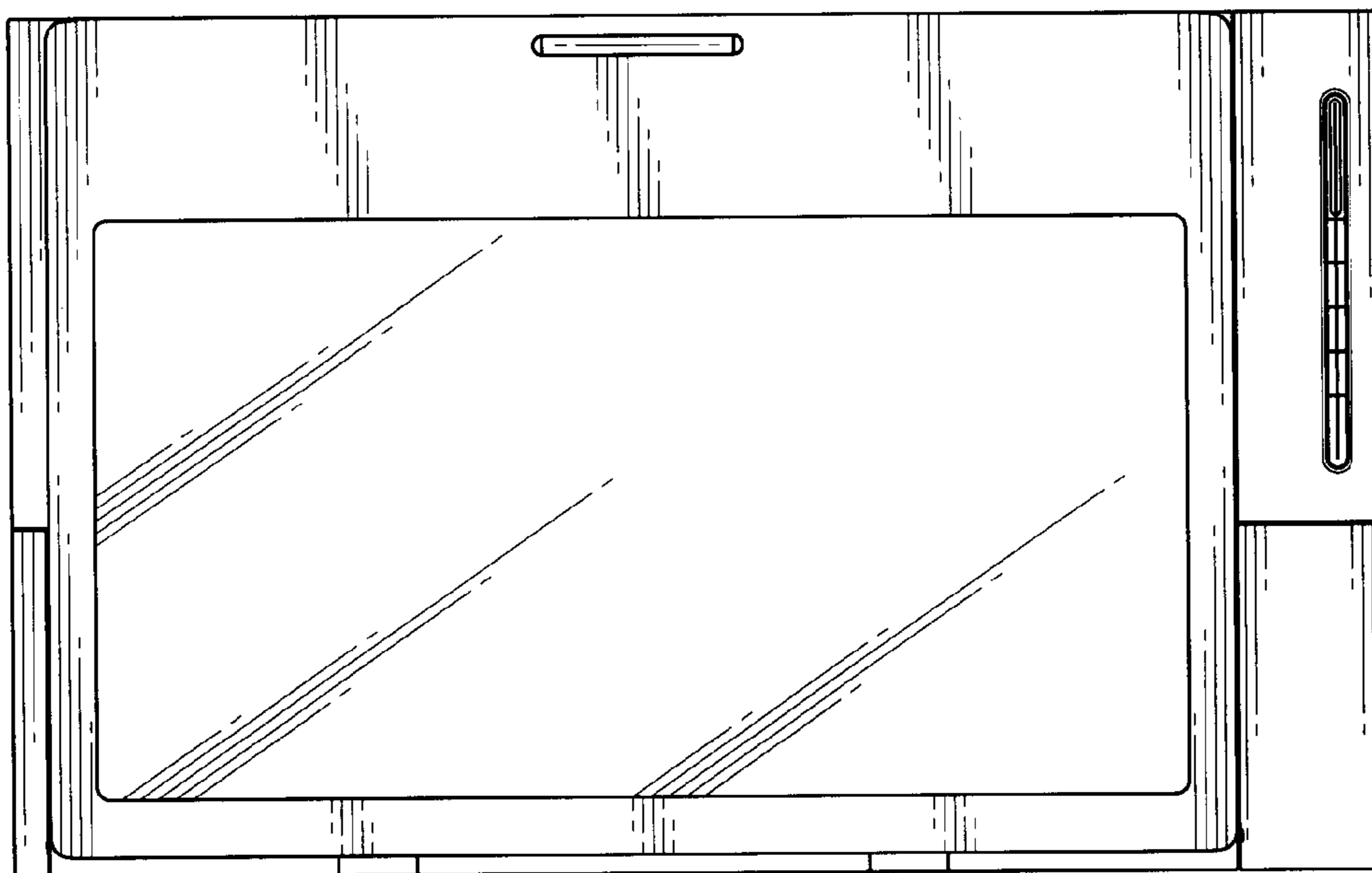


FIG. 9