



US00D512062S

(12) **United States Design Patent** (10) **Patent No.:** **US D512,062 S**  
**Lee et al.** (45) **Date of Patent:** **\*\* Nov. 29, 2005**

- (54) **FLAT PANEL MONITOR FRAME**
- (75) Inventors: **Noel Lee**, Las Vegas, NV (US);  
**Kendrew Lee**, Fremont, CA (US)
- (73) Assignee: **Monster, LLC**, Las Vegas, NV (US)
- (\*\*) Term: **14 Years**
- (21) Appl. No.: **29/219,279**
- (22) Filed: **Dec. 14, 2004**

**Related U.S. Application Data**

- (62) Division of application No. 29/195,133, filed on Dec. 4, 2003, now Pat. No. Des. 504,687.
- (51) **LOC (8) Cl.** ..... **14-02**
- (52) **U.S. Cl.** ..... **D14/374**
- (58) **Field of Search** ..... D14/371-375,  
D14/125-129; 345/104, 156, 168, 173;  
248/917-924; 348/180, 184, 325, 739;  
341/12; 349/1, 2, 11, 62

(56) **References Cited**

**U.S. PATENT DOCUMENTS**

- D345,346 S \* 3/1994 Alfonso et al. .... D14/341
- D382,259 S \* 8/1997 Nagai et al. .... D14/374
- D453,333 S \* 2/2002 Chen ..... D14/374

\* cited by examiner

*Primary Examiner*—Freda S. Nunn  
(74) *Attorney, Agent, or Firm*—LaRiviere, Grubman & Payne, LLP

(57) **CLAIM**

The ornamental design for a flat panel monitor frame, as shown.

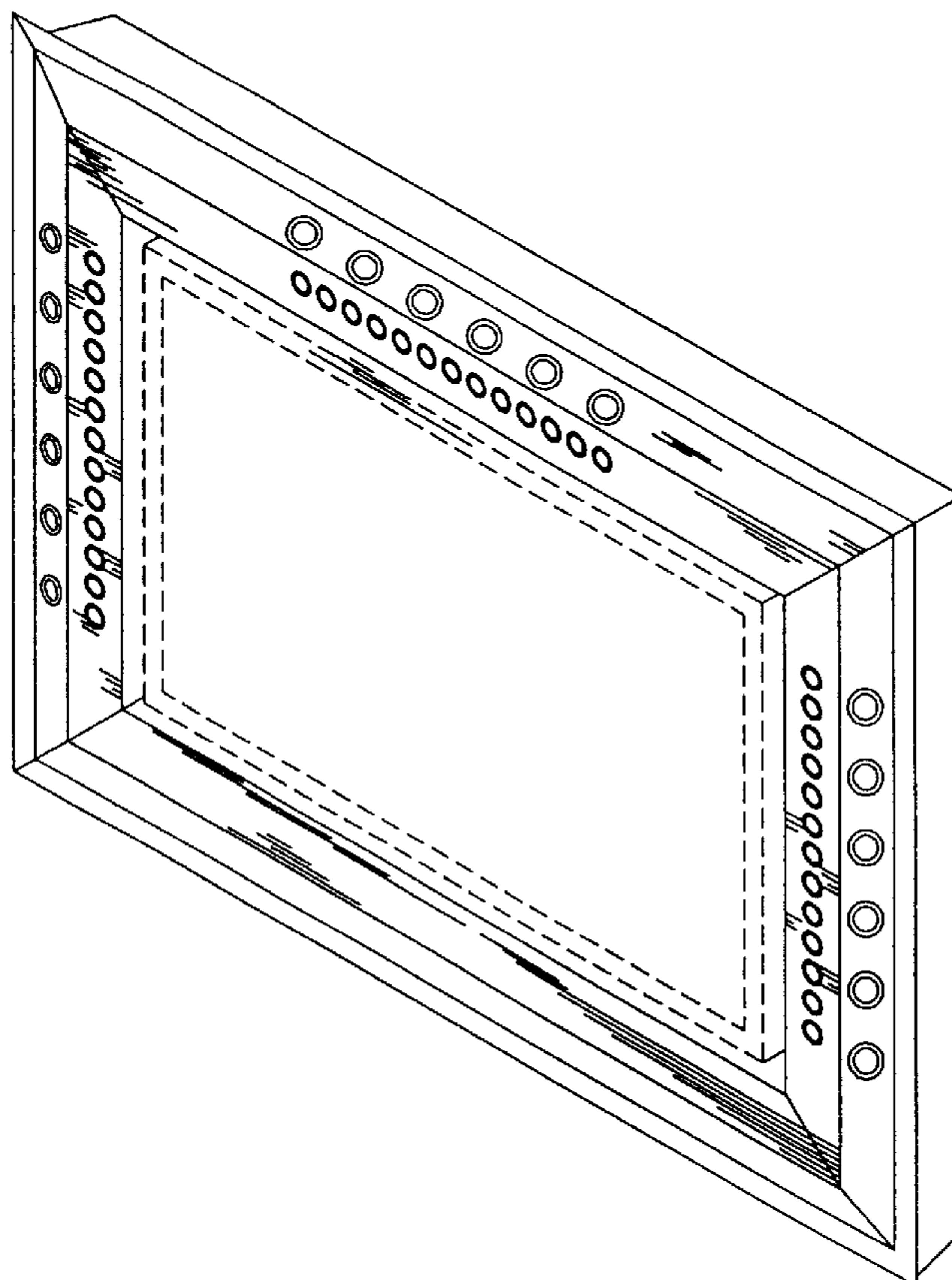
**DESCRIPTION**

A portion of the disclosure of this patent document contains material to which a claim for copyright is made. The copyright owner has no objection to the facsimile reproduction by anyone of the patent document or the patent disclosure, as it appears in the Patent and Trademark Office patent file or records, but reserves all other copyright rights whatsoever.

FIG. 1 is a perspective view of a flat panel monitor frame showing the present invention; FIG. 2 is a front view thereof; FIG. 3 is a rear view thereof; FIG. 4 is a right side view thereof; FIG. 5 is a left side view thereof; FIG. 6 is a top view thereof; and, FIG. 7 is a bottom view thereof.

The broken lines showing the environment are for illustrative purposes only and form no part of the claimed design.

**1 Claim, 3 Drawing Sheets**



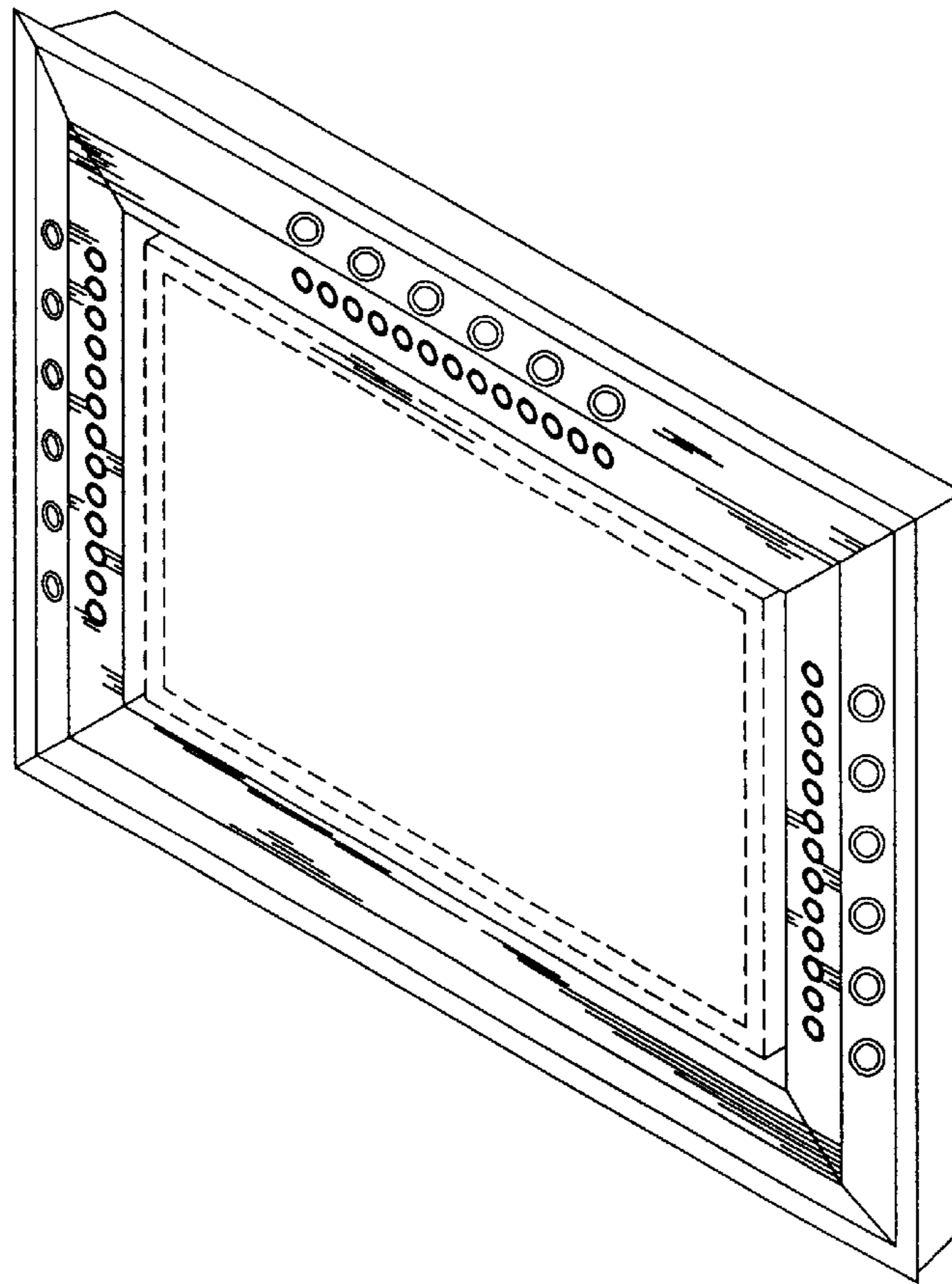


Figure 1

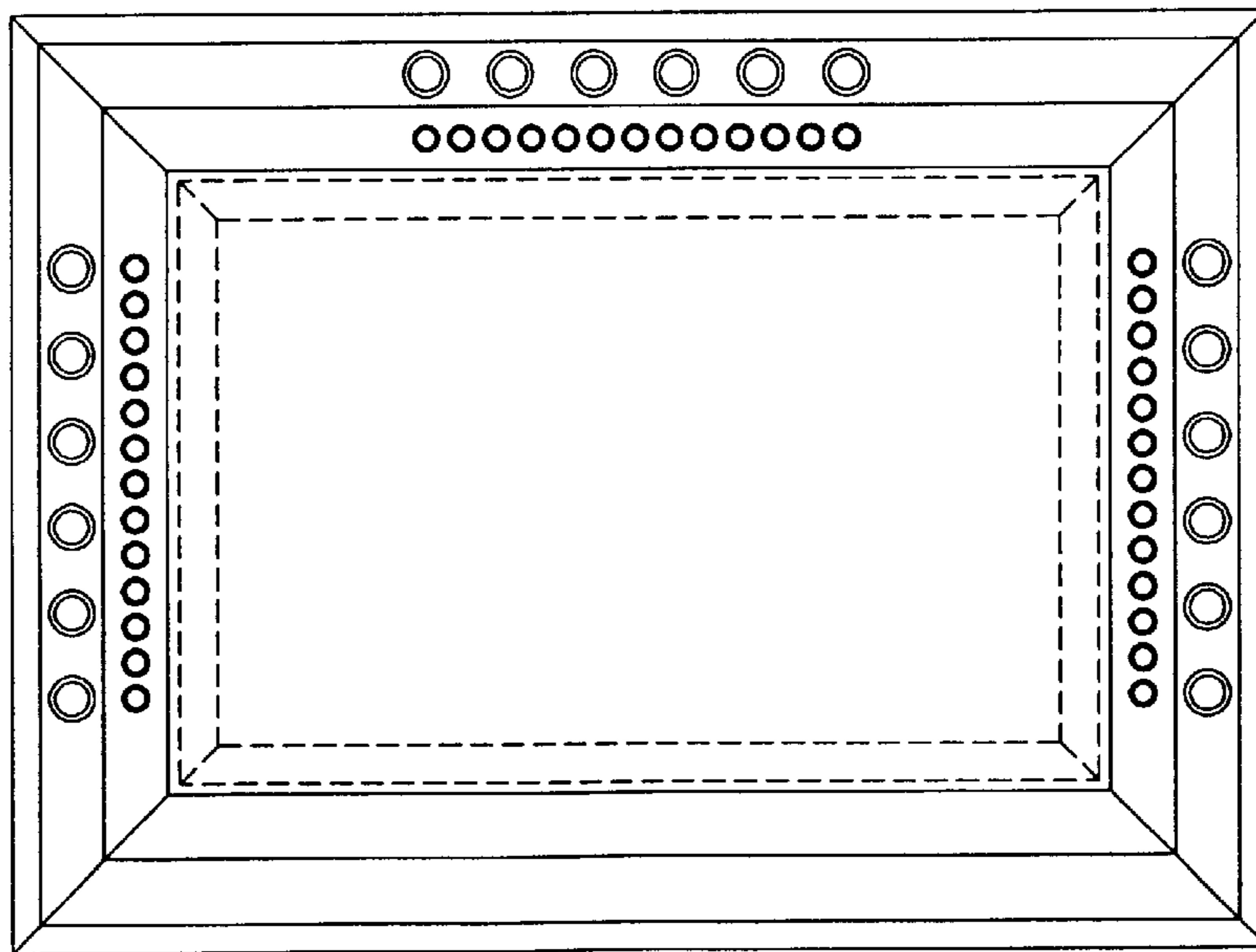


Figure 2

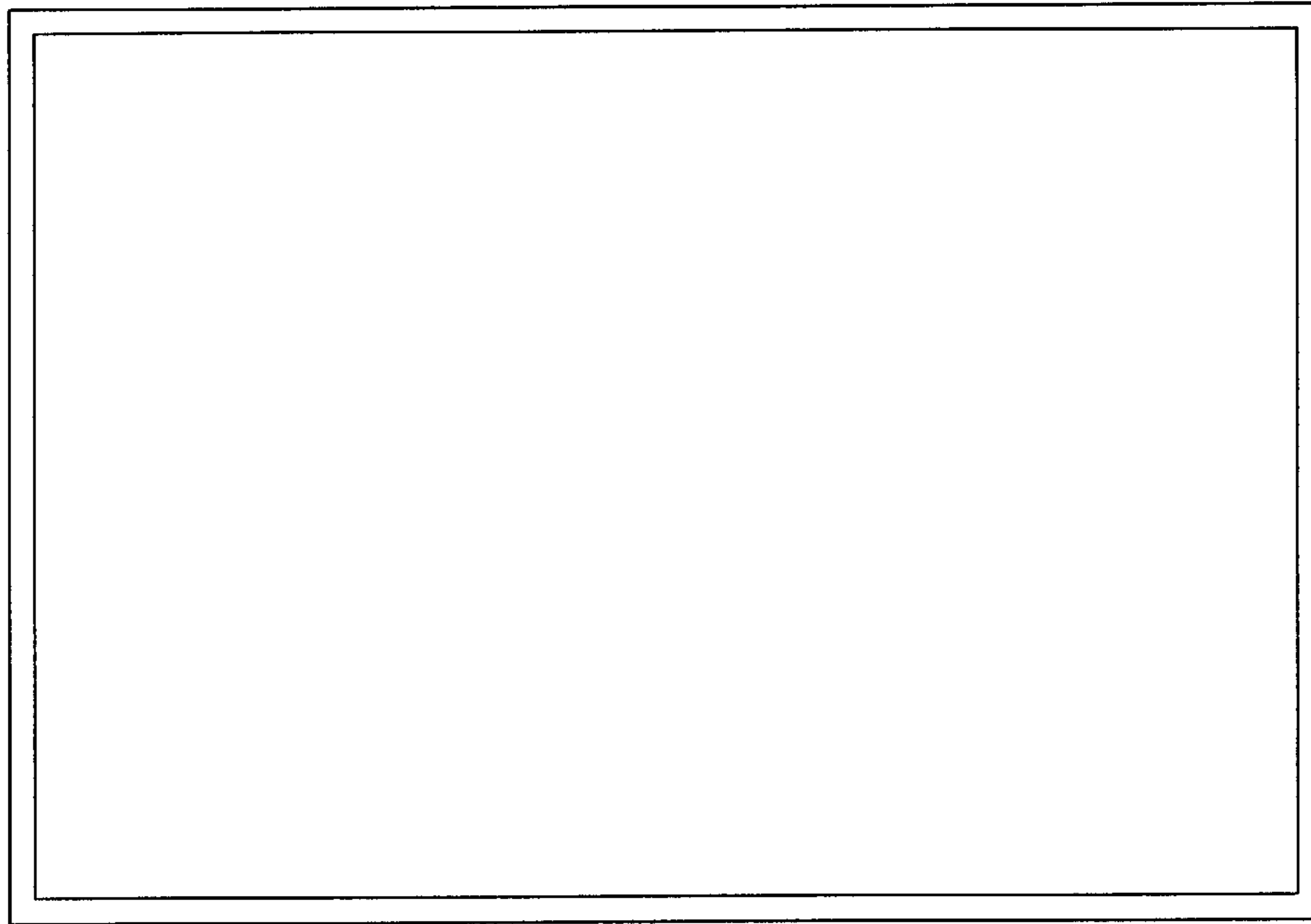


Figure 3

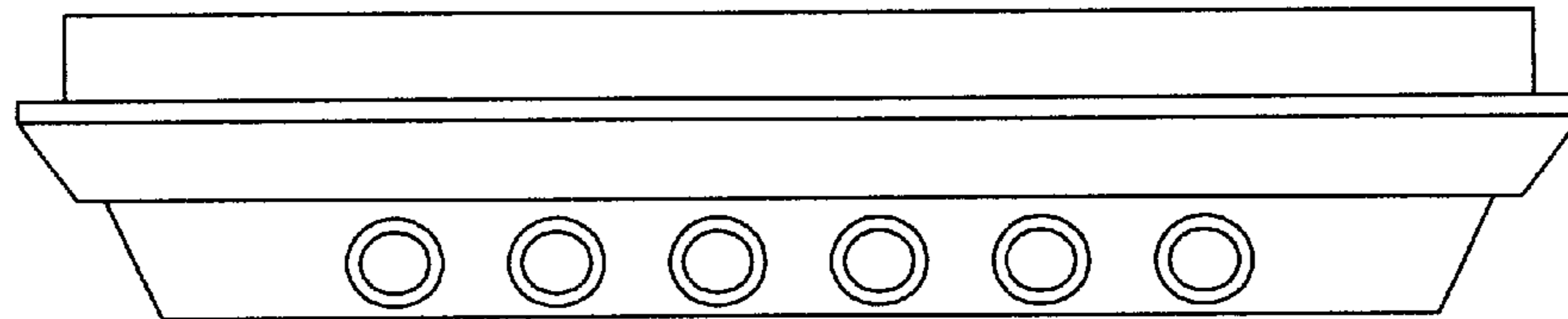


Figure 4

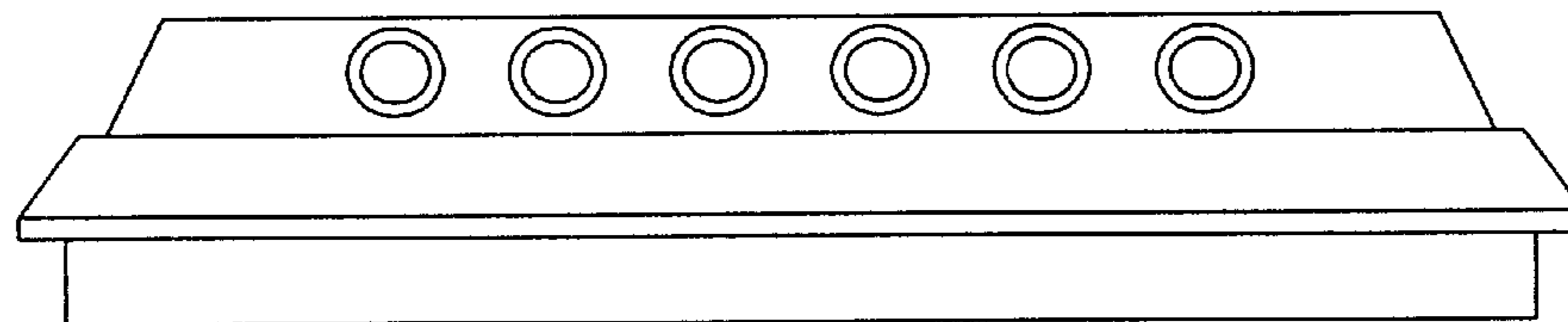


Figure 5

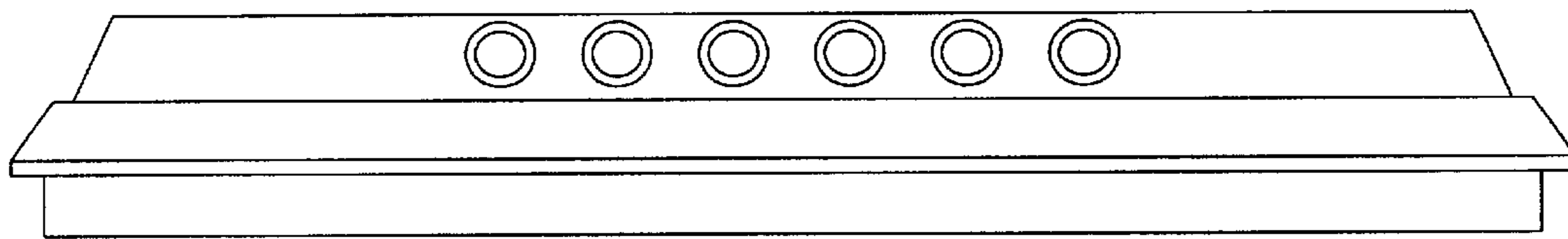


Figure 6

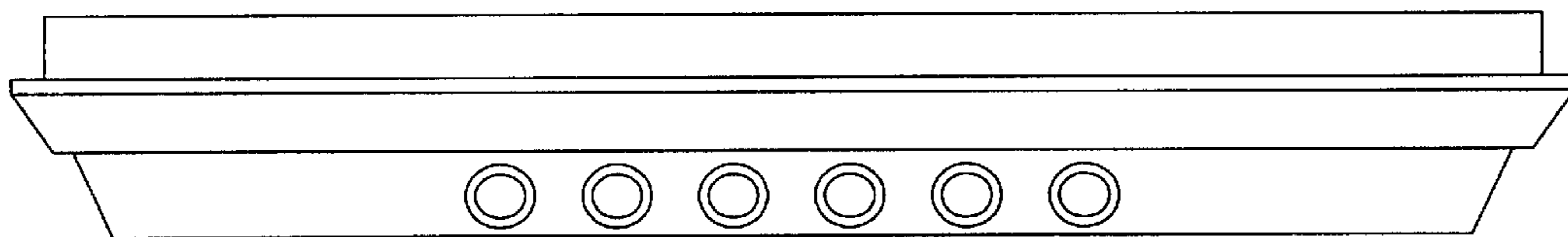


Figure 7