

US00D512061S

(12) **United States Design Patent**
Sato et al.

(10) **Patent No.: US D512,061 S**

(45) **Date of Patent: ** Nov. 29, 2005**

(54) **HARD DISK DRIVE**

(75) Inventors: **Toshikuni Sato**, Ome (JP); **Takahiro Asano**, Ome (JP); **Hidenori Miyazaki**, Ome (JP); **Takeshi Okutomi**, Ome (JP); **Jun Shimizu**, Ome (JP)

(73) Assignee: **Kabushiki Kaisha Toshiba (JP)**

(**) Term: **14 Years**

(21) Appl. No.: **29/209,432**

(22) Filed: **Jul. 16, 2004**

(30) **Foreign Application Priority Data**

Apr. 20, 2004 (JP) 2004-011919

(51) **LOC (8) Cl. 14-02**

(52) **U.S. Cl. D14/363**

(58) **Field of Search** 174/35 GC, 35 R,
174/52.1; 16/260; 369/78, 79, 258.1; 312/223.2;
206/701; D14/363, 366-68, 348, 432, 353,
474, 479; D13/184; 360/97.01-97.03, 99.01-99.12;
361/600, 693, 683-686; 248/632-638, 618;
720/600, 616, 650-652, 655; 439/483, 484

(56) **References Cited**

U.S. PATENT DOCUMENTS

5,021,905 A * 6/1991 Sleger 360/97.02
5,029,027 A * 7/1991 Sleger 360/97.03
5,187,621 A * 2/1993 Tacklind 360/97.02

5,703,734 A * 12/1997 Berberich et al. 360/97.02
6,011,670 A * 1/2000 Balsley et al. 360/97.01
6,108,162 A * 8/2000 Amirkiai et al. 360/97.01
6,229,668 B1 * 5/2001 Huynh et al. 360/97.01
6,297,928 B1 * 10/2001 Hahn et al. 360/97.01
6,341,051 B2 * 1/2002 Hachiya et al. 360/265.1
6,366,426 B1 * 4/2002 Beatty et al. 360/97.02
6,373,654 B1 * 4/2002 Iwahara et al. 360/97.01
6,396,665 B1 * 5/2002 Asano 360/264.2
D466,507 S * 12/2002 Nakamura D14/363
6,501,614 B1 * 12/2002 Kang et al. 360/97.01
6,728,062 B1 * 4/2004 Ou-Yang et al. 360/97.02
2001/0043459 A1 * 11/2001 Lindrose 361/685
2002/0093757 A1 * 7/2002 Daniel 360/97.01

* cited by examiner

Primary Examiner—Alan P. Douglas

Assistant Examiner—Susan Moon Lee

(74) *Attorney, Agent, or Firm*—Banner & Witcoff, Ltd.

(57) **CLAIM**

The ornamental design for a hard disk drive, as shown and described.

DESCRIPTION

FIG. 1 is a front, bottom and left side perspective view of a hard disk drive, showing our new design; FIG. 2 is a front elevational view thereof; FIG. 3 is a rear elevational view thereof; FIG. 4 is a top plan view thereof; and, FIG. 5 is a right side elevational view thereof.

1 Claim, 1 Drawing Sheet

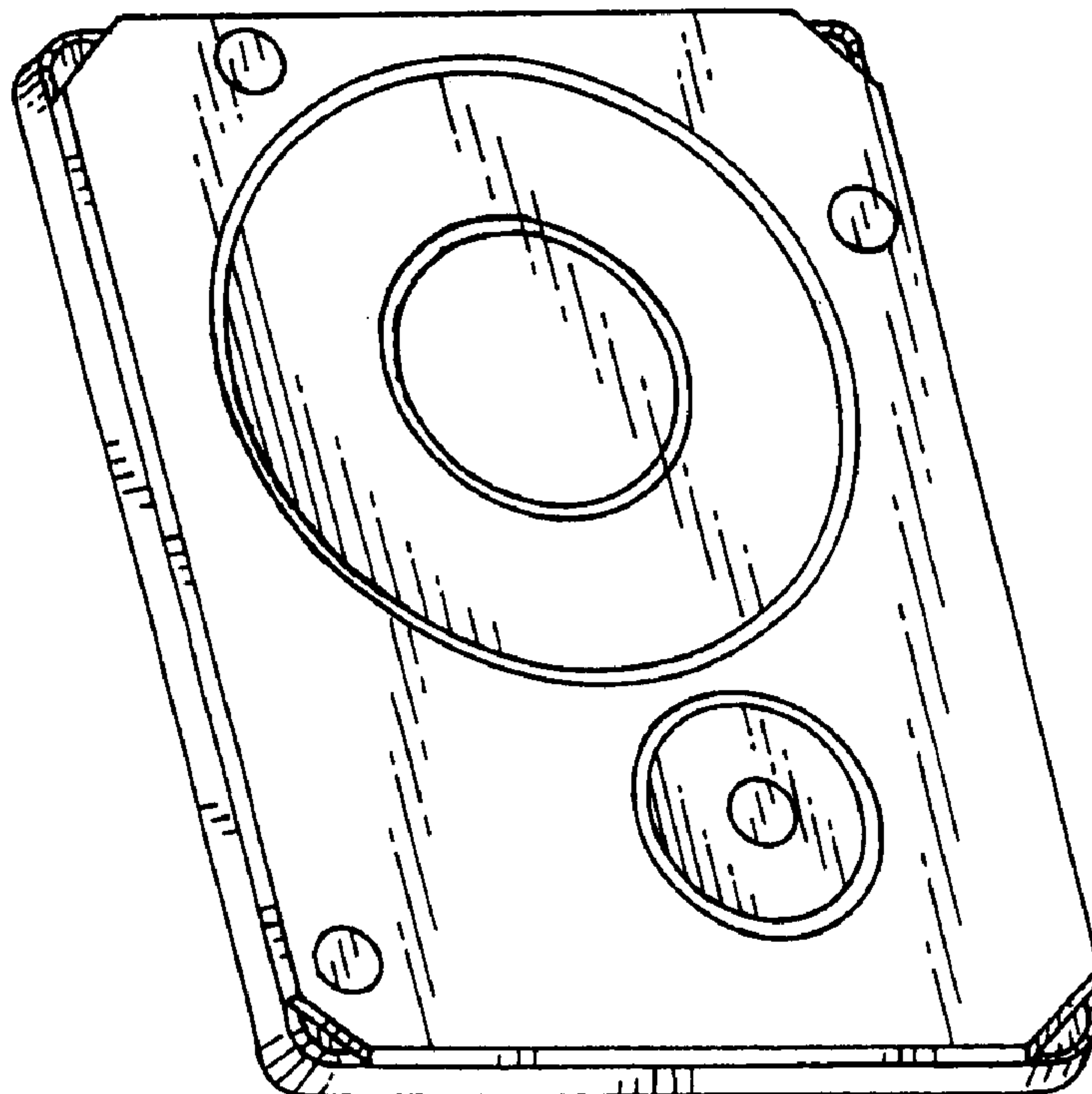


FIG. 4

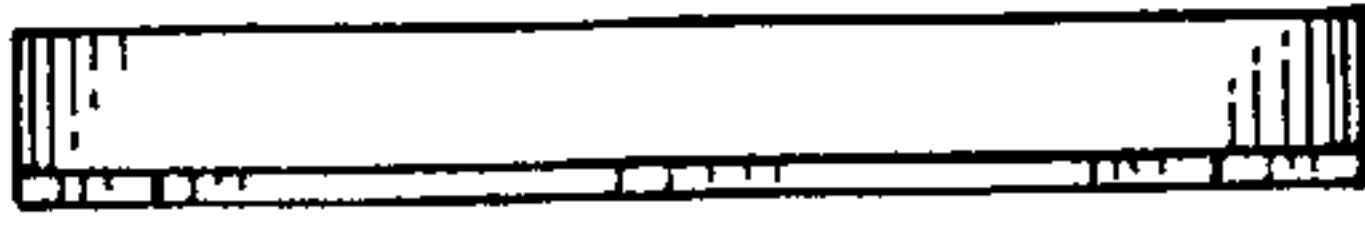


FIG. 2

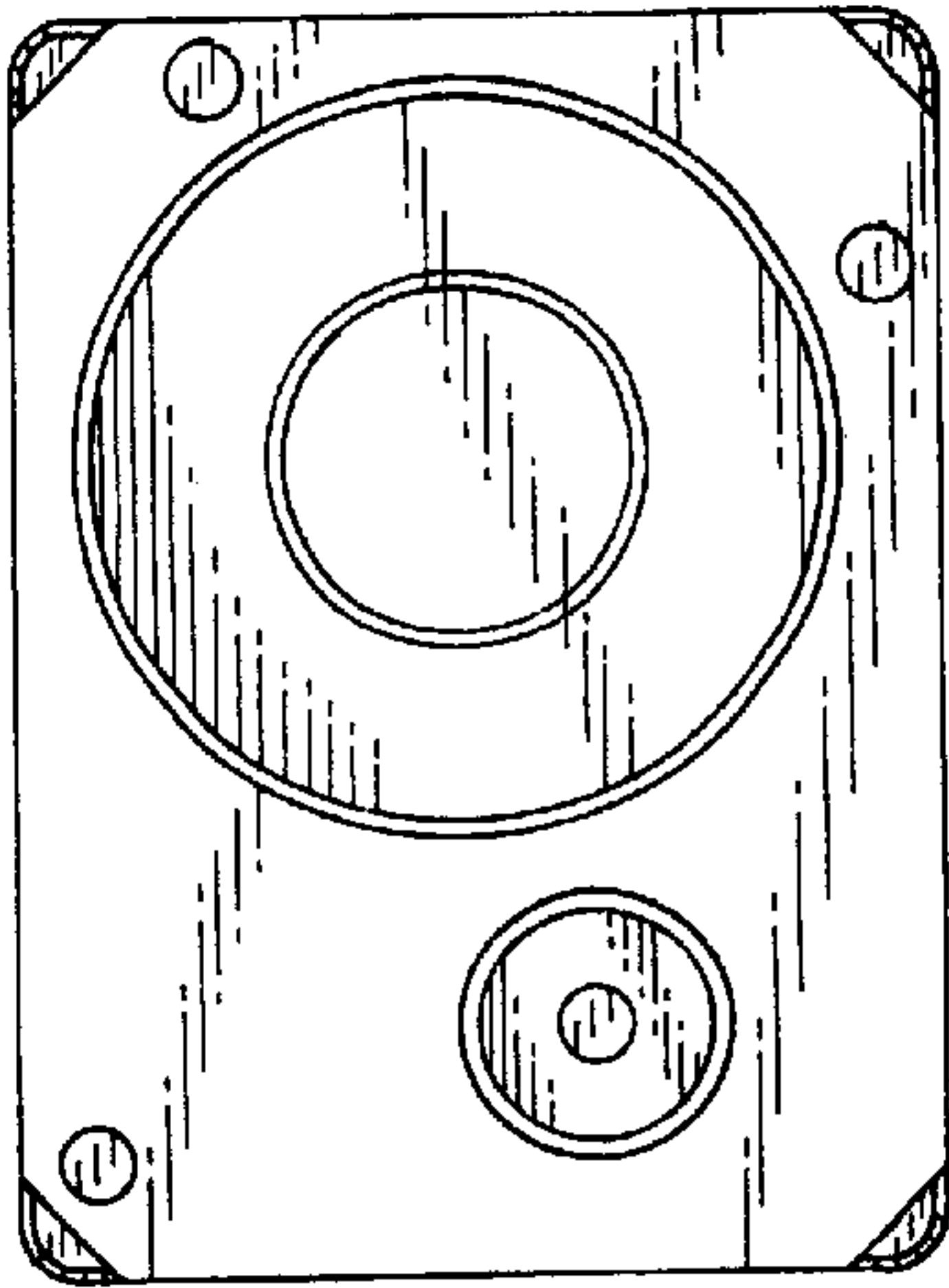


FIG. 5



FIG. 3

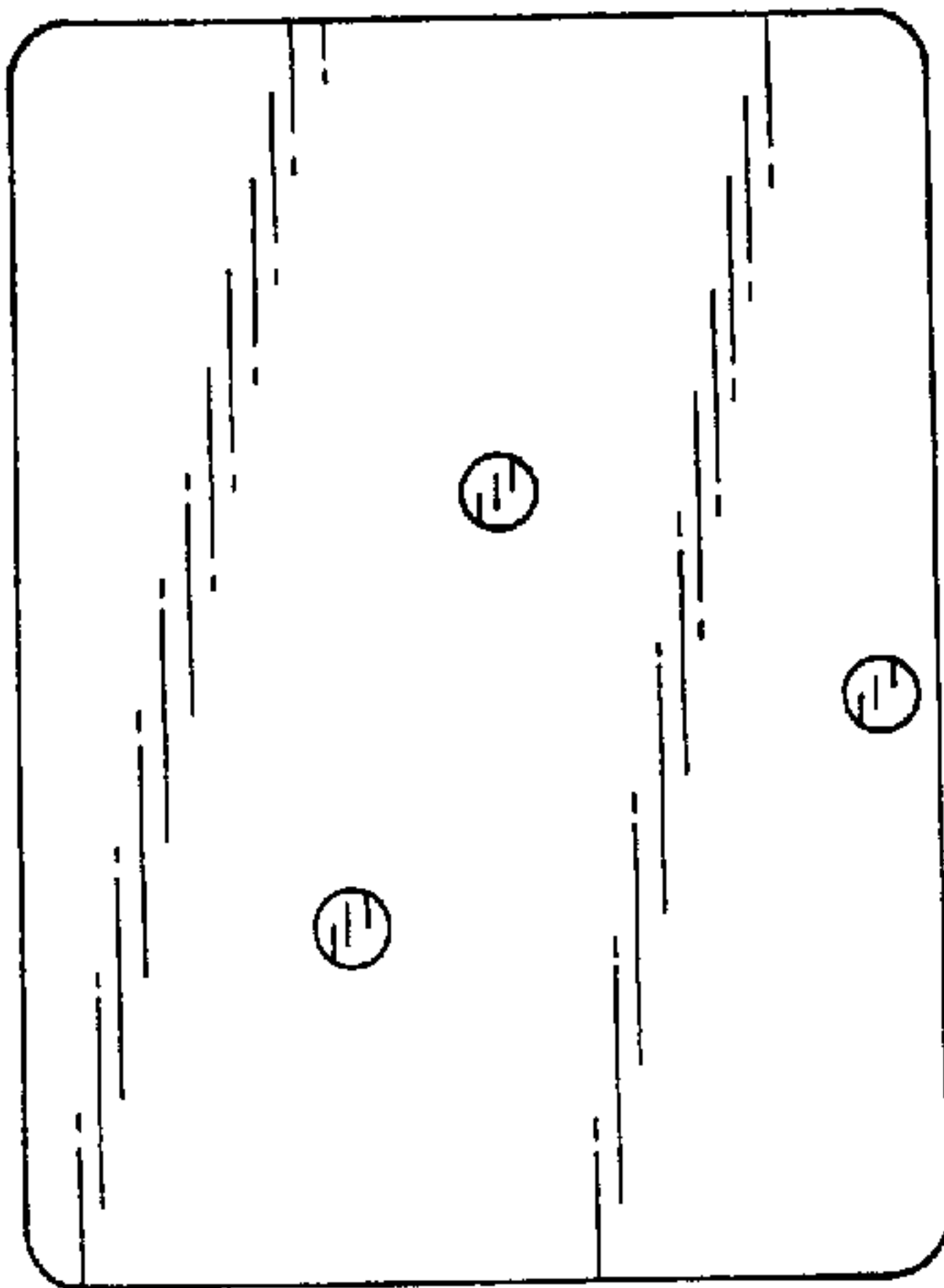


FIG. 1

