



US00D512054S

(12) **United States Design Patent** (10) **Patent No.:** **US D512,054 S**  
**Nakano** (45) **Date of Patent:** **\*\* Nov. 29, 2005**

(54) **DISK UNIT CASE**

(75) Inventor: **Kenichi Nakano**, Fukuoka (JP)

(73) Assignee: **Matsushita Electric Industrial Co., Ltd.**, Osaka (JP)

(\*\*) Term: **14 Years**

(21) Appl. No.: **29/219,091**

(22) Filed: **Dec. 10, 2004**

(30) **Foreign Application Priority Data**

Jun. 11, 2004 (JP) ..... 2004-017496

(51) **LOC (8) Cl.** ..... **14-03**

(52) **U.S. Cl.** ..... **D14/260.1**

(58) **Field of Search** ..... D14/442, 368,  
D14/217, 367, 365, 260.1; D9/416, 417,  
438, 447; 720/616, 613, 611, 610, 609,  
603, 601, 653, 652, 651, 650

(56) **References Cited**

**U.S. PATENT DOCUMENTS**

D269,068 S	*	5/1983	Mann et al.	.....	D9/416
4,512,476 A	*	4/1985	Herrington, Jr.	.....	206/554
D297,214 S	*	8/1988	Forbes, Jr.	.....	D9/416
5,305,881 A	*	4/1994	Caldwell et al.	.....	206/494
D383,978 S	*	9/1997	Loeb	.....	D9/438
D385,261 S	*	10/1997	Akiba	.....	D14/260.1
5,943,309 A	*	8/1999	Watanabe	.....	720/609
D415,424 S	*	10/1999	Hill	.....	D9/434
D438,463 S	*	3/2001	Schill et al.	.....	D9/416
6,320,835 B1	*	11/2001	Kamei	.....	720/653
6,577,577 B2	*	6/2003	Watanabe et al.	.....	720/603
D494,859 S	*	8/2004	Keberlein	.....	D9/416
2001/0026520 A1	*	10/2001	Watanabe et al.	.....	369/75.2
2003/0072243 A1	*	4/2003	Yeh et al.	.....	369/75.2
2003/0152011 A1	*	8/2003	Yeh	.....	369/75.2
2003/0202447 A1	*	10/2003	Watanabe et al.	.....	369/75.2
2004/0042371 A1	*	3/2004	Lee	.....	369/75.2
2004/0093609 A1	*	5/2004	Choi	.....	720/601

2004/0117807 A1	*	6/2004	Takahashi et al.	.....	720/610
2004/0148614 A1	*	7/2004	Bae	.....	720/601
2004/0163094 A1	*	8/2004	Matsui et al.	.....	720/650
2004/0187142 A1	*	9/2004	Namiki	.....	720/603
2004/0261088 A1	*	12/2004	Hsu et al.	.....	720/601
2005/0076346 A1	*	4/2005	Matsumoto et al.	.....	720/601

**FOREIGN PATENT DOCUMENTS**

JP	D948711	3/1996
JP	D949293-1	3/1996
JP	D1066428	4/2000
JP	D1067893	4/2000
JP	D1198837	3/2004

\* cited by examiner

*Primary Examiner*—Cathron C. Brooks

*Assistant Examiner*—Austin Murphy

(74) *Attorney, Agent, or Firm*—Brinks Hofer Gilson & Lione

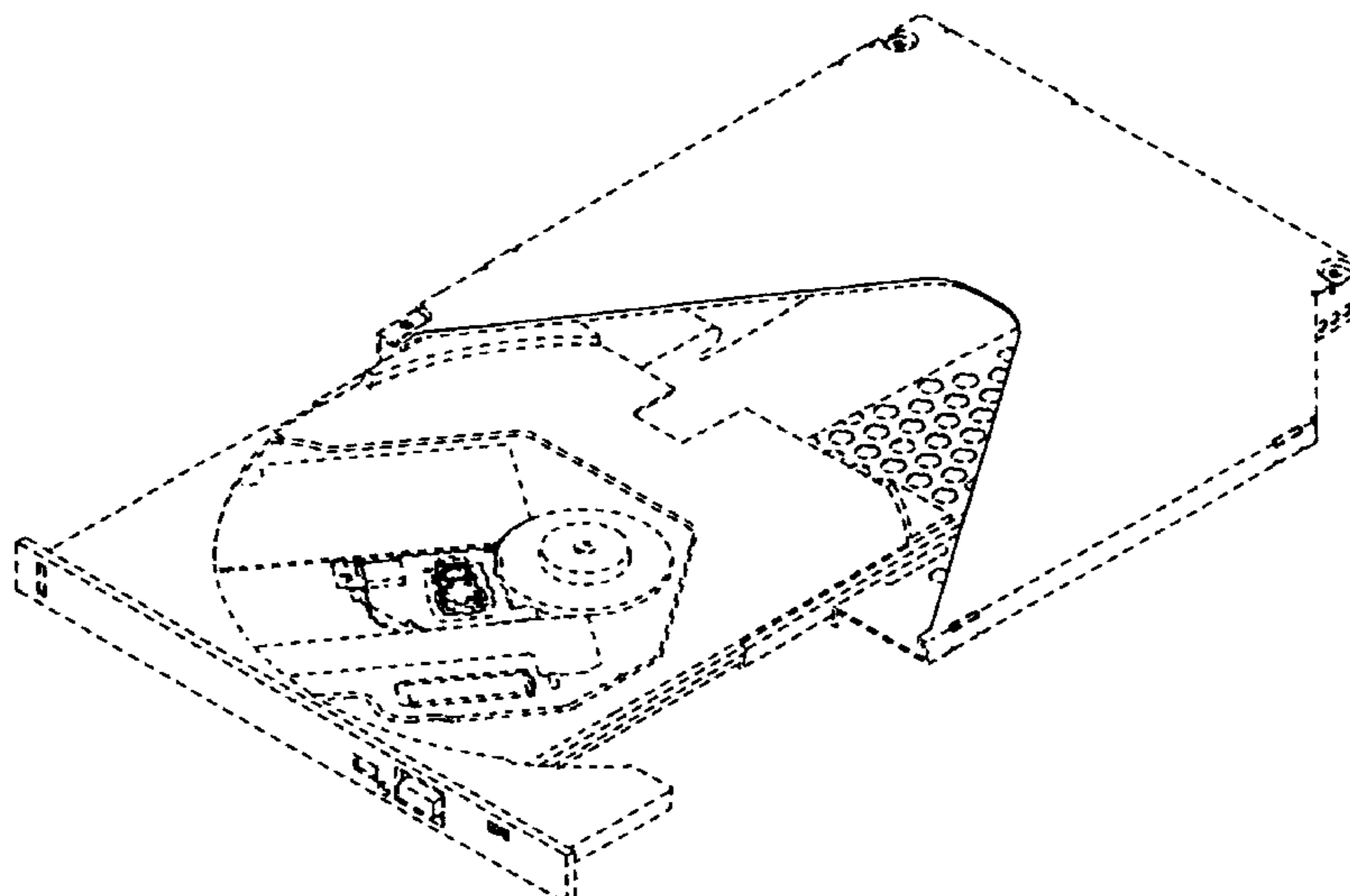
(57) **CLAIM**

The ornamental design for a disk unit case, as shown and described.

**DESCRIPTION**

FIG. 1 is a top perspective view of a disk unit case of the present invention;  
 FIG. 2 is a top view thereof;  
 FIG. 3 is first side view thereof;  
 FIG. 4 is a second side view thereof;  
 FIG. 5 is a front view thereof;  
 FIG. 6 is a bottom view thereof;  
 FIG. 7 is a rear view thereof; and,  
 FIG. 8 is a top perspective view of the disk unit case of FIG. 1 shown in an open position.  
 The ornamental design which is claimed is shown in solid lines in the drawings. Any broken lines in the drawings are for illustrative purposes only and form no part of the claimed design.

**1 Claim, 8 Drawing Sheets**



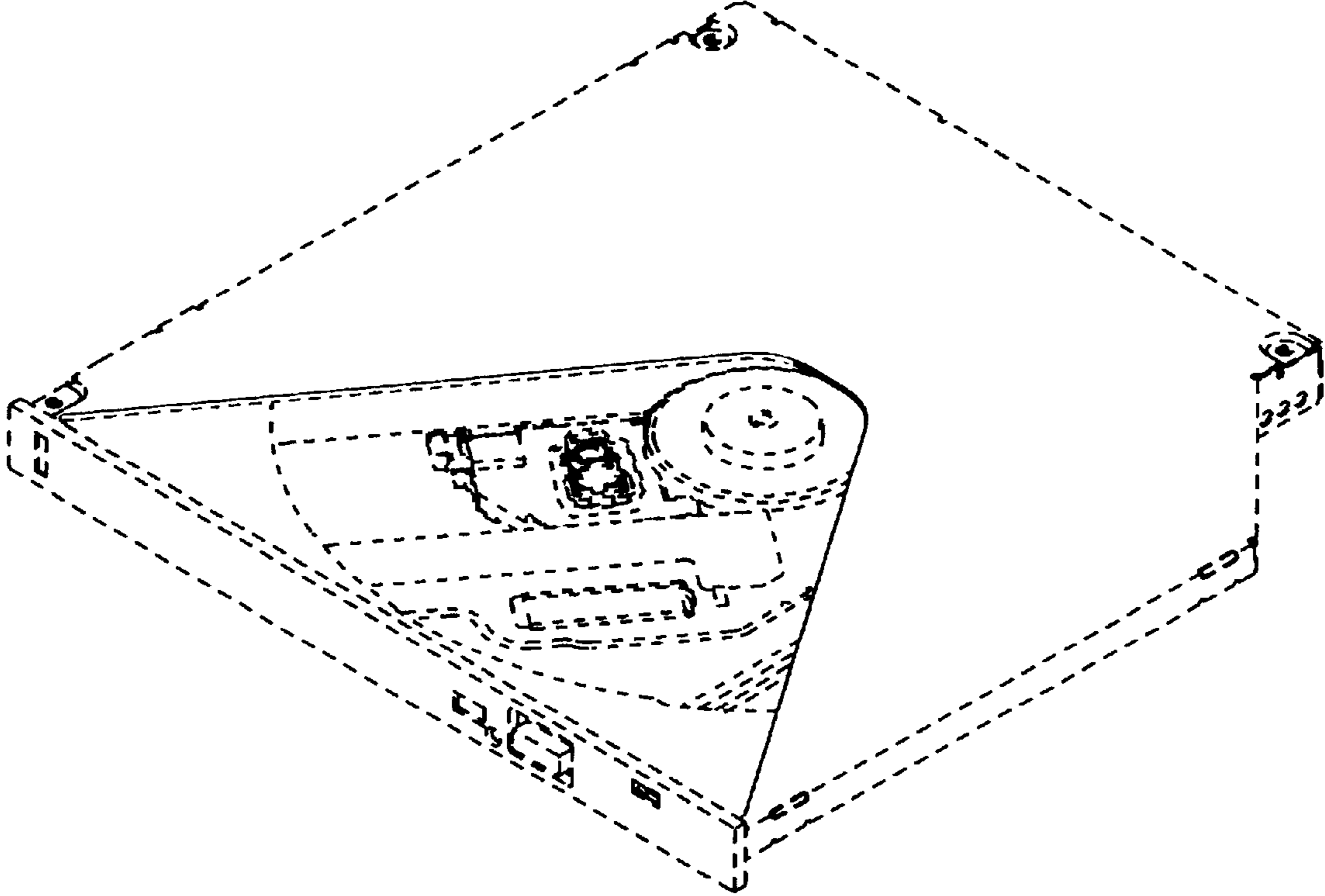


FIG. 1

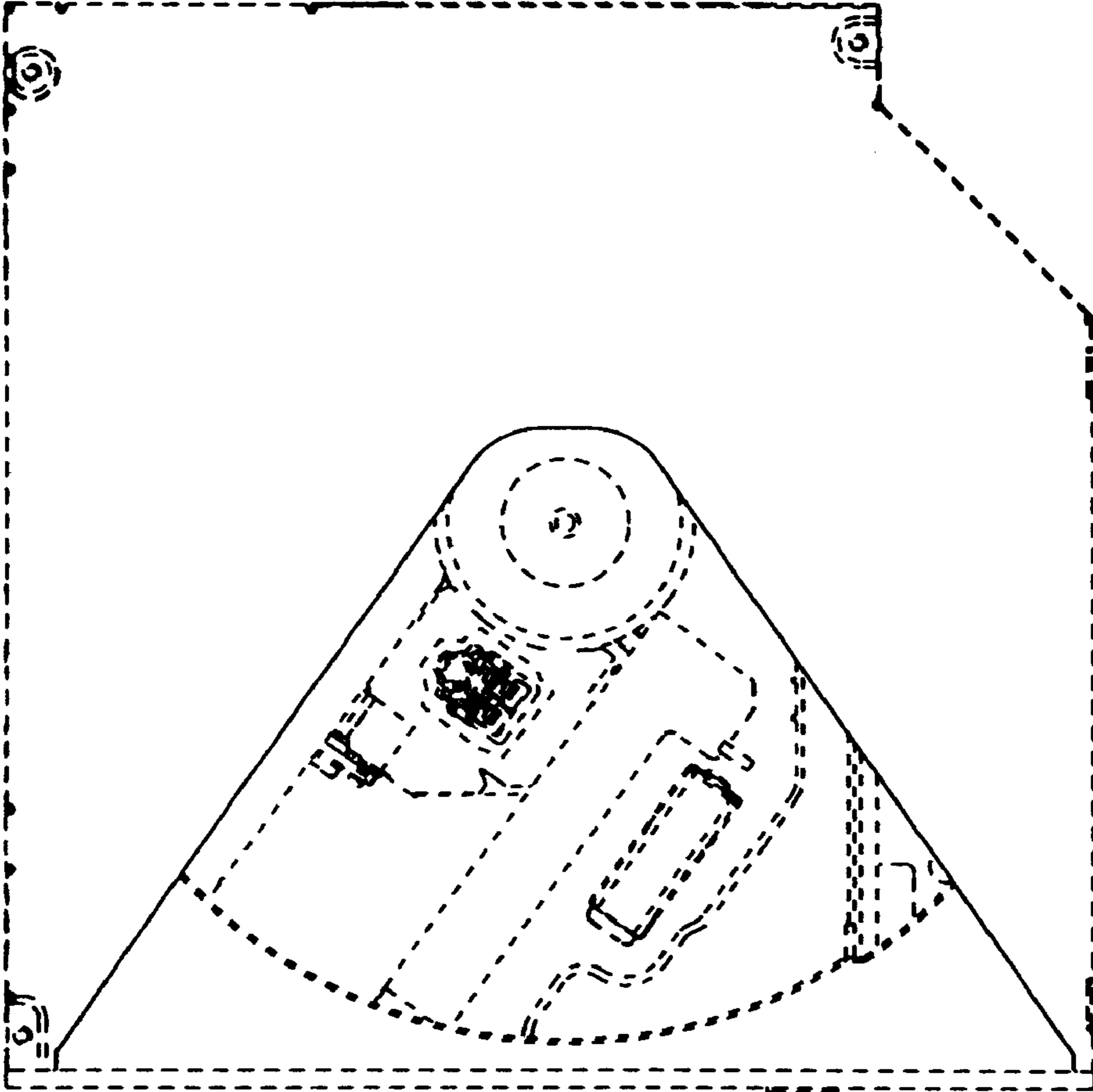
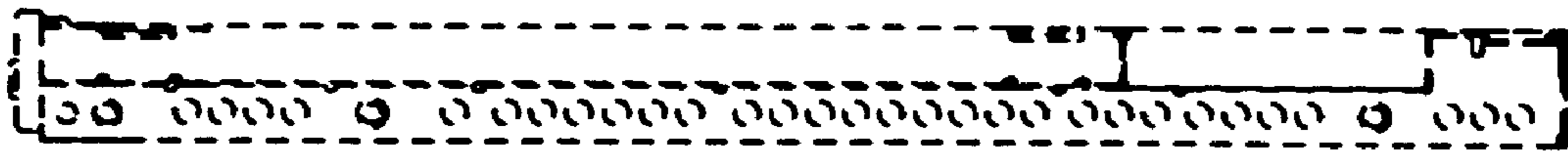
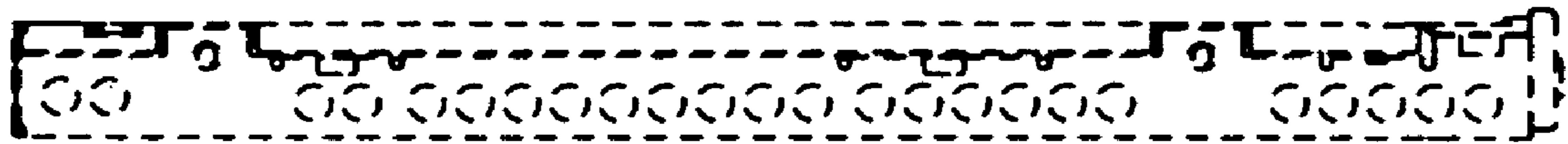


FIG. 2



**FIG. 3**



**FIG. 4**



**FIG. 5**

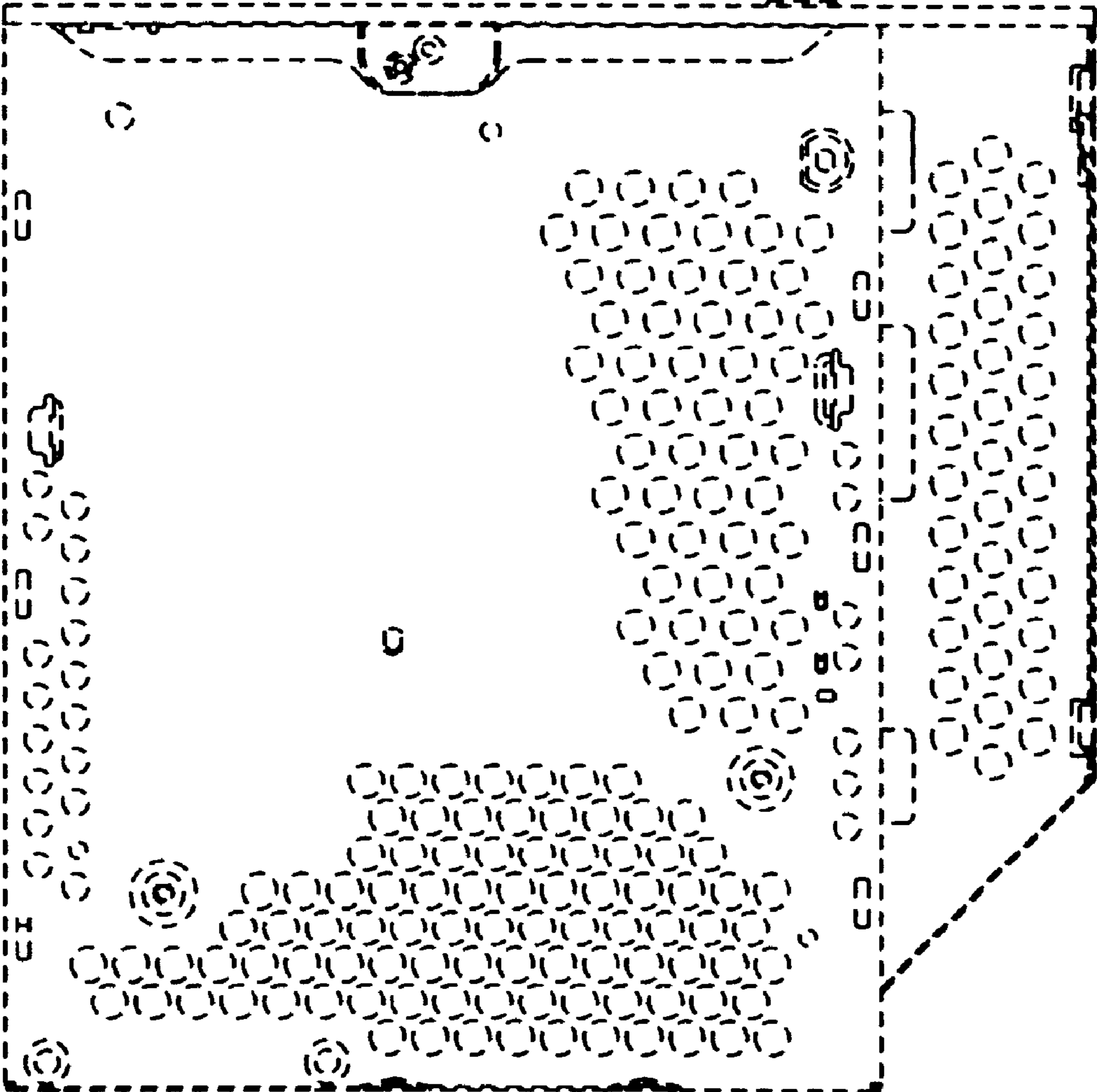
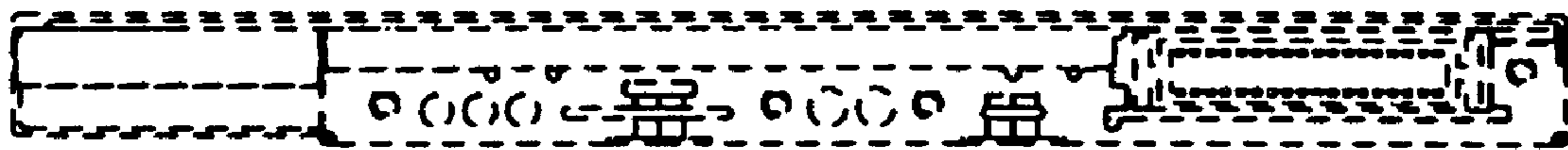


FIG. 6



**FIG. 7**



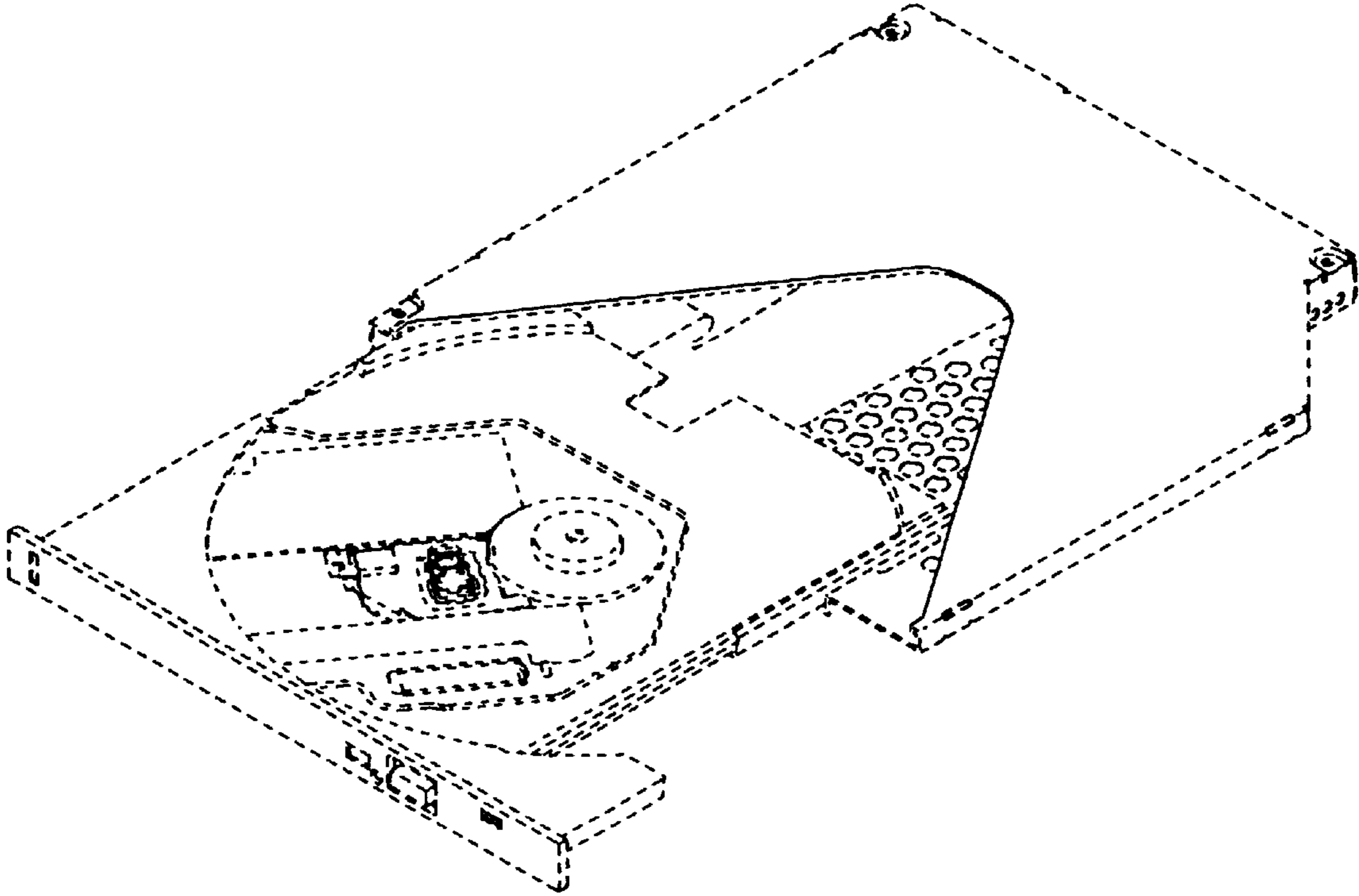


FIG. 8