



US00D512049S

(12) **United States Design Patent**
Yang

(10) **Patent No.:** **US D512,049 S**

(45) **Date of Patent:** **** Nov. 29, 2005**

(54) **EARPHONE**

(75) **Inventor:** **Bill Yang, Taipei (TW)**

(73) **Assignee:** **Cotron Corporation, Taipei (TW)**

(**) **Term:** **14 Years**

(21) **Appl. No.:** **29/207,211**

(22) **Filed:** **Jun. 8, 2004**

(30) **Foreign Application Priority Data**

Jun. 8, 2004 (TW) 93303421

(51) **LOC (8) Cl.** **14-01**

(52) **U.S. Cl.** **D14/223; D14/205**

(58) **Field of Search** D14/188, 192,
D14/205, 206, 223; 181/129, 130, 135;
381/380, 381, 385; 379/430

(56) **References Cited**

U.S. PATENT DOCUMENTS

- 4,736,435 A * 4/1988 Yokoyama et al. 381/380
- 4,742,887 A * 5/1988 Yamagishi 181/129
- D311,007 S * 10/1990 Daido D14/205
- D318,864 S * 8/1991 Daido et al. D14/205

- D331,062 S * 11/1992 Kanno D14/223
- D337,119 S * 7/1993 Taniguchi D14/223
- D337,589 S * 7/1993 Wada D14/223
- D357,921 S * 5/1995 Ming-Chin D14/223
- 6,084,976 A * 7/2000 Lin 381/380
- D430,146 S * 8/2000 Lin D14/223
- D479,834 S * 9/2003 Salazar et al. D14/205

* cited by examiner

Primary Examiner—Paula A. Greene

(74) *Attorney, Agent, or Firm*—J.C. Patents

(57) **CLAIM**

The ornamental design for an earphone, as shown and described.

DESCRIPTION

FIG. 1 is a top, front, and right side perspective view of an earphone showing the new design.

FIG. 2 is a front elevational view thereof.

FIG. 3 is a rear elevational view thereof.

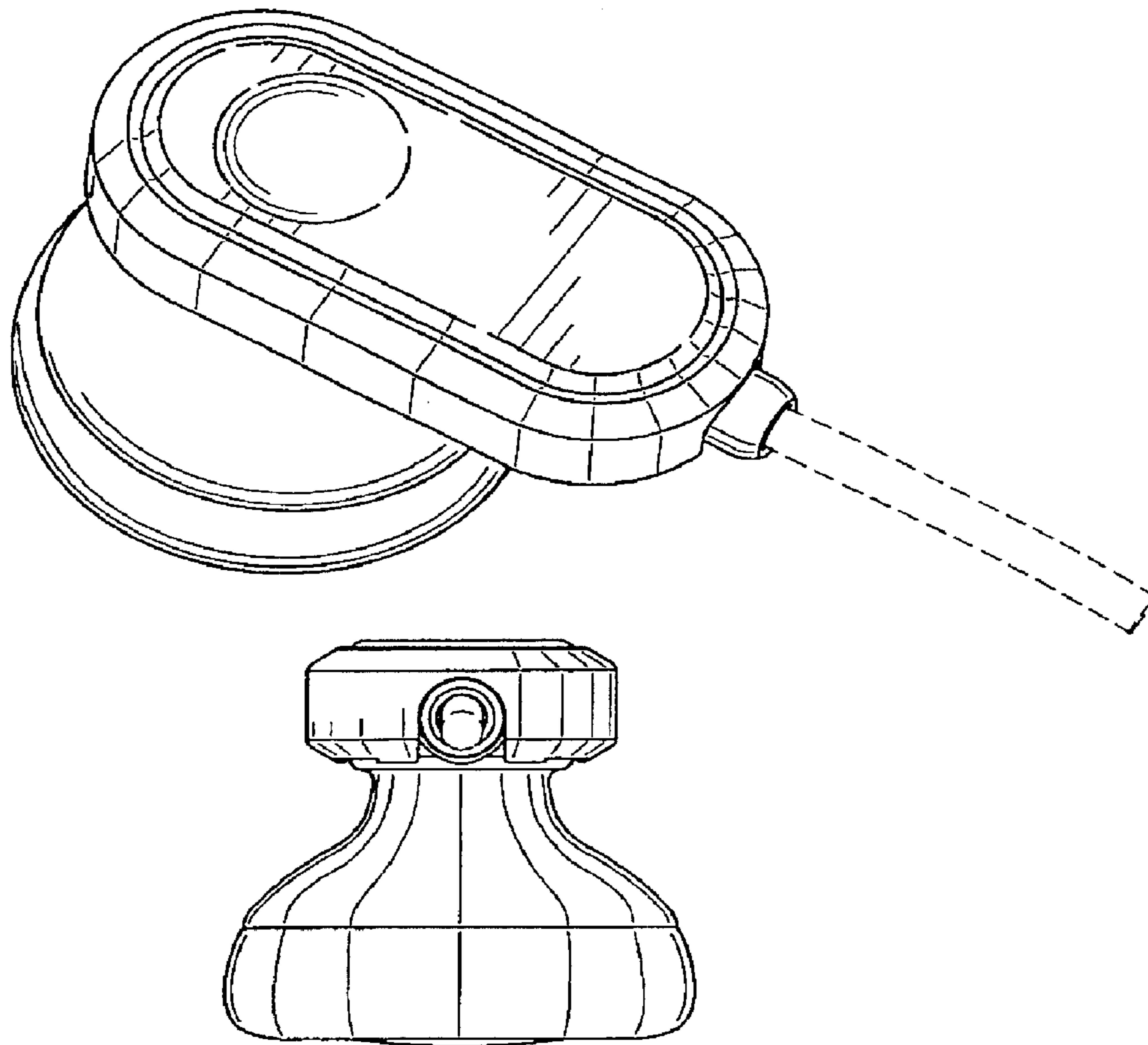
FIG. 4 is a left side elevational view thereof.

FIG. 5 is a right side elevational view thereof.

FIG. 6 is a top plan view thereof; and,

FIG. 7 is a bottom plan view thereof.

1 Claim, 4 Drawing Sheets



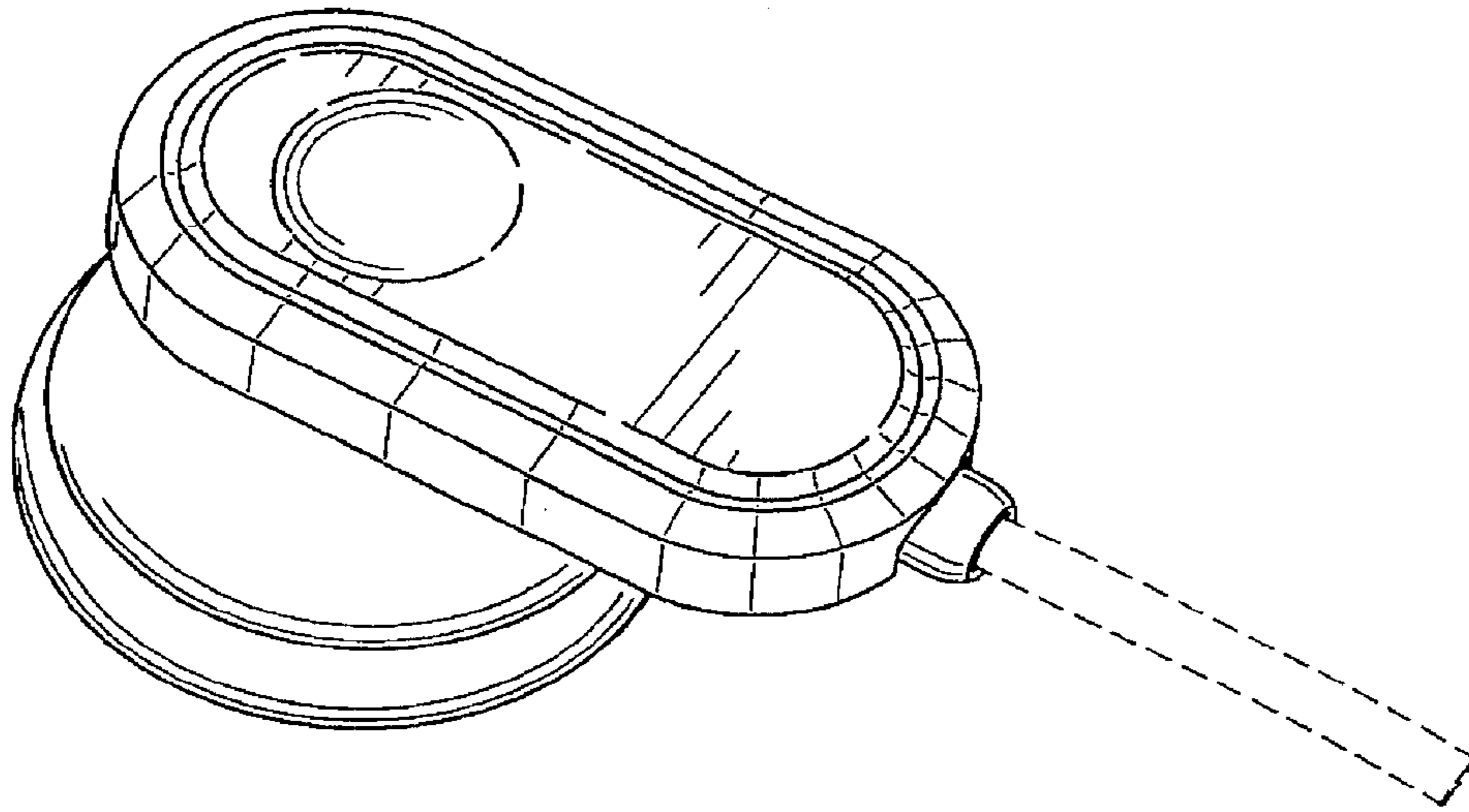


FIG. 1

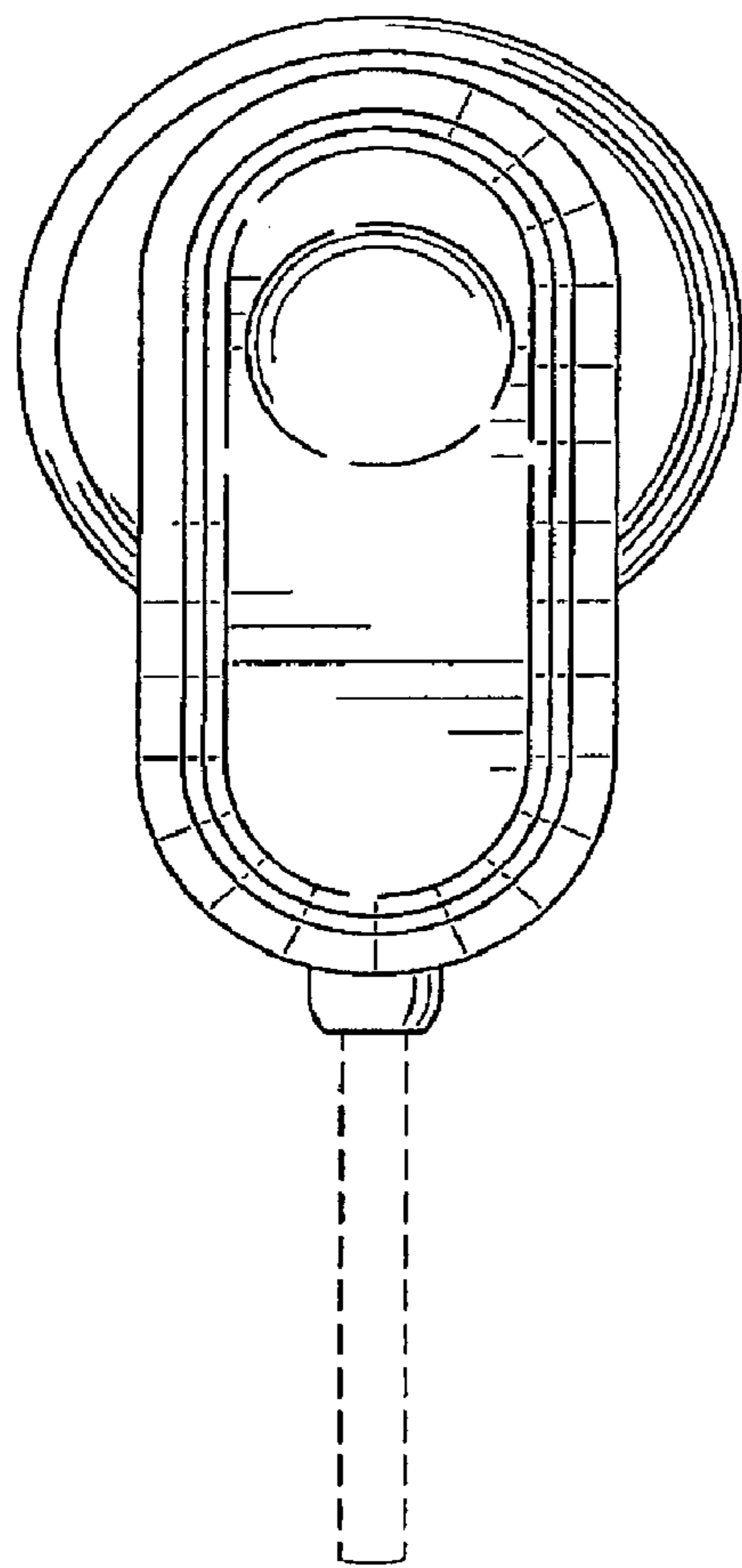


FIG. 2

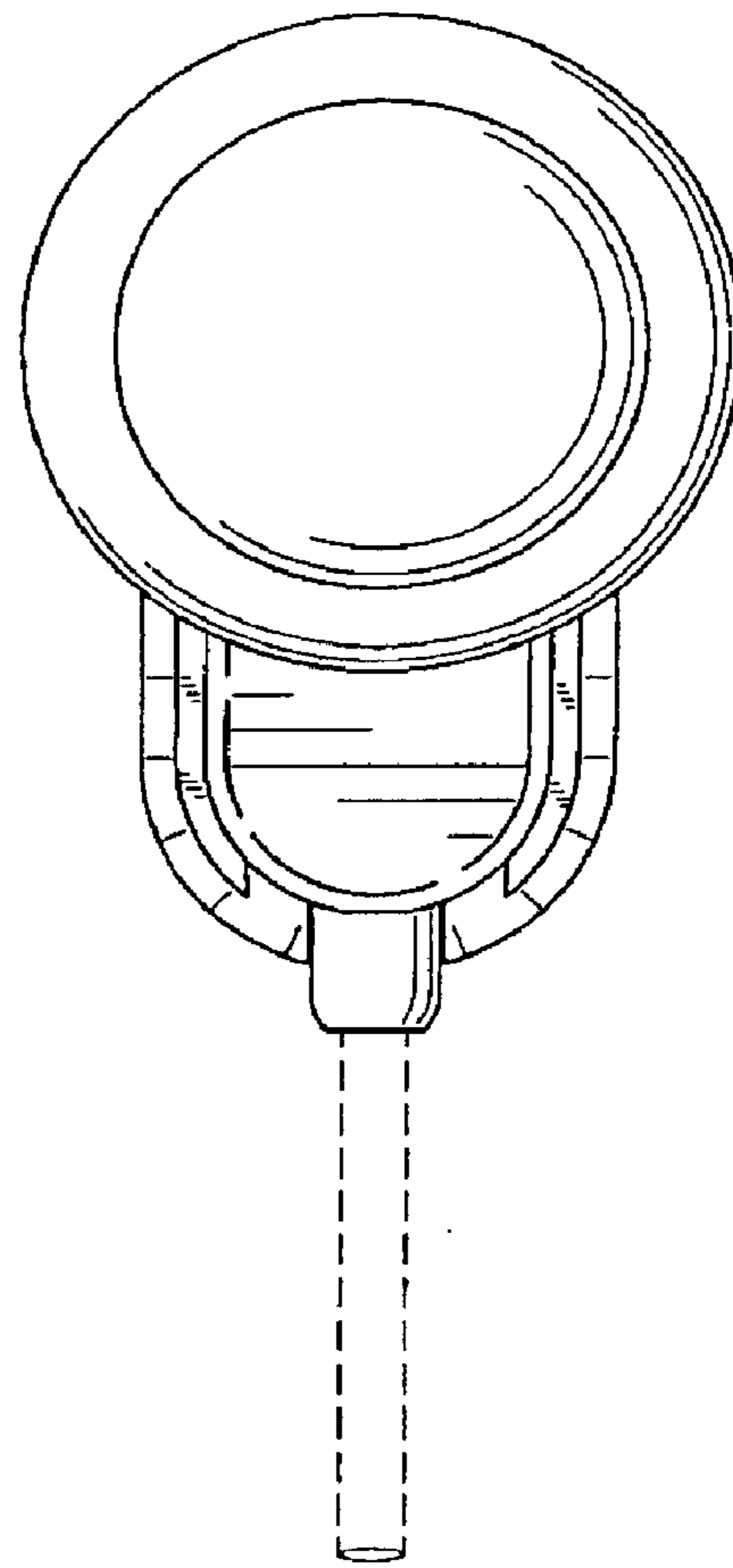


FIG. 3

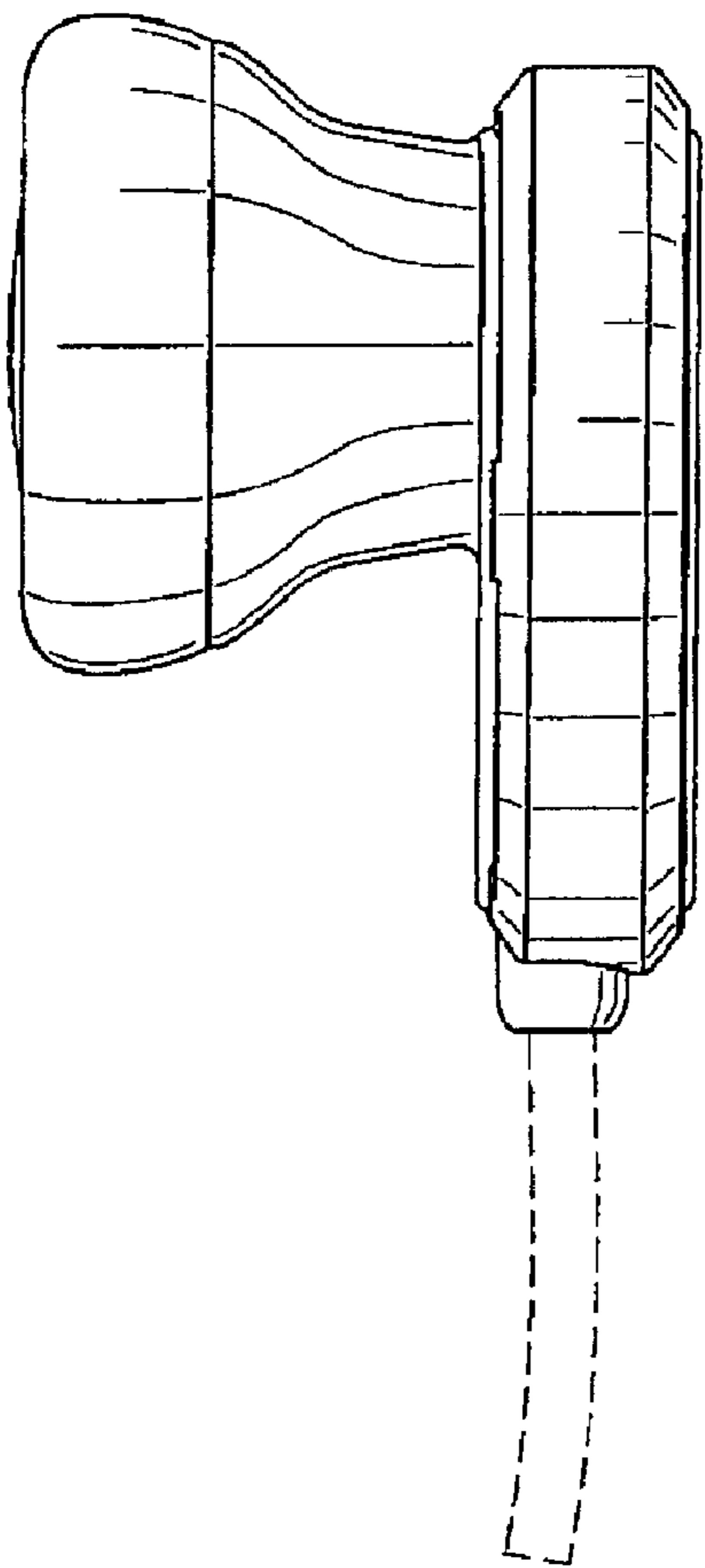


FIG. 4

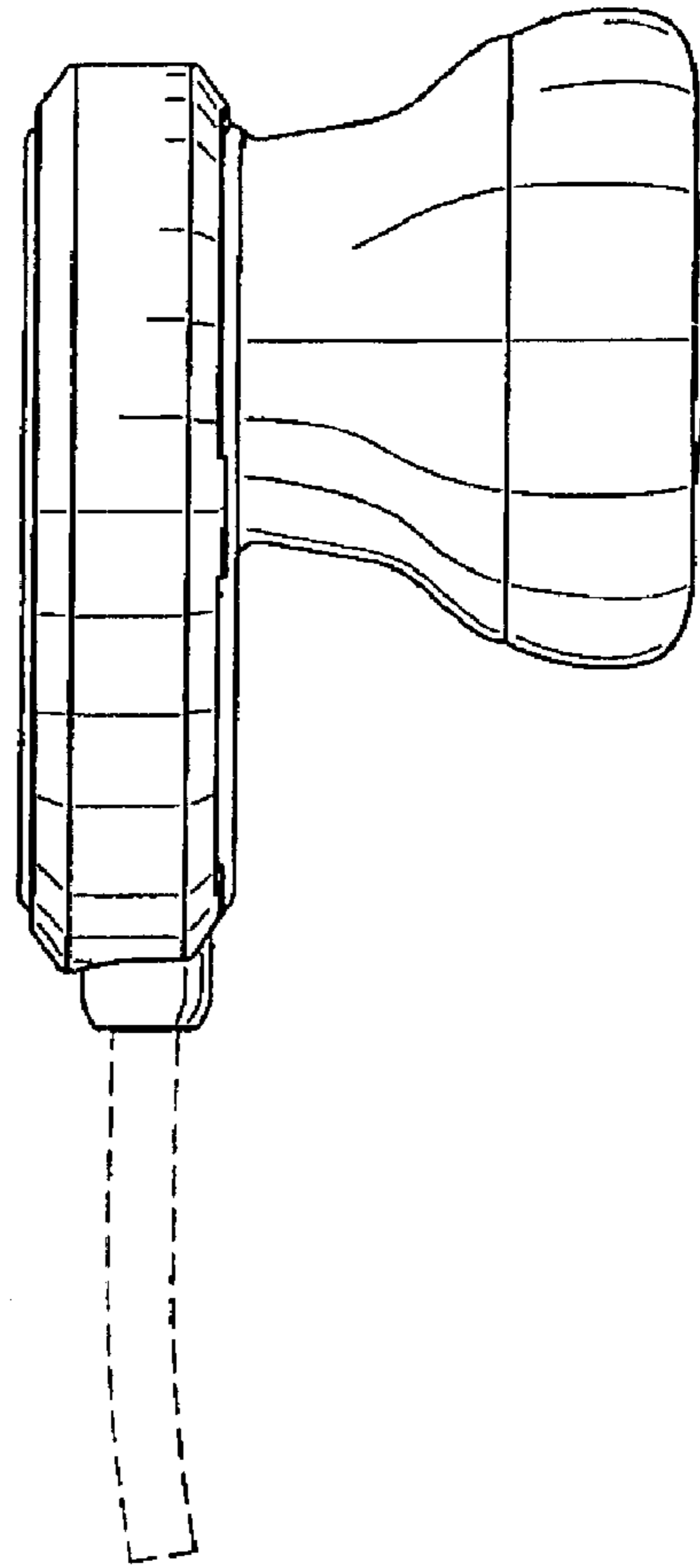


FIG. 5

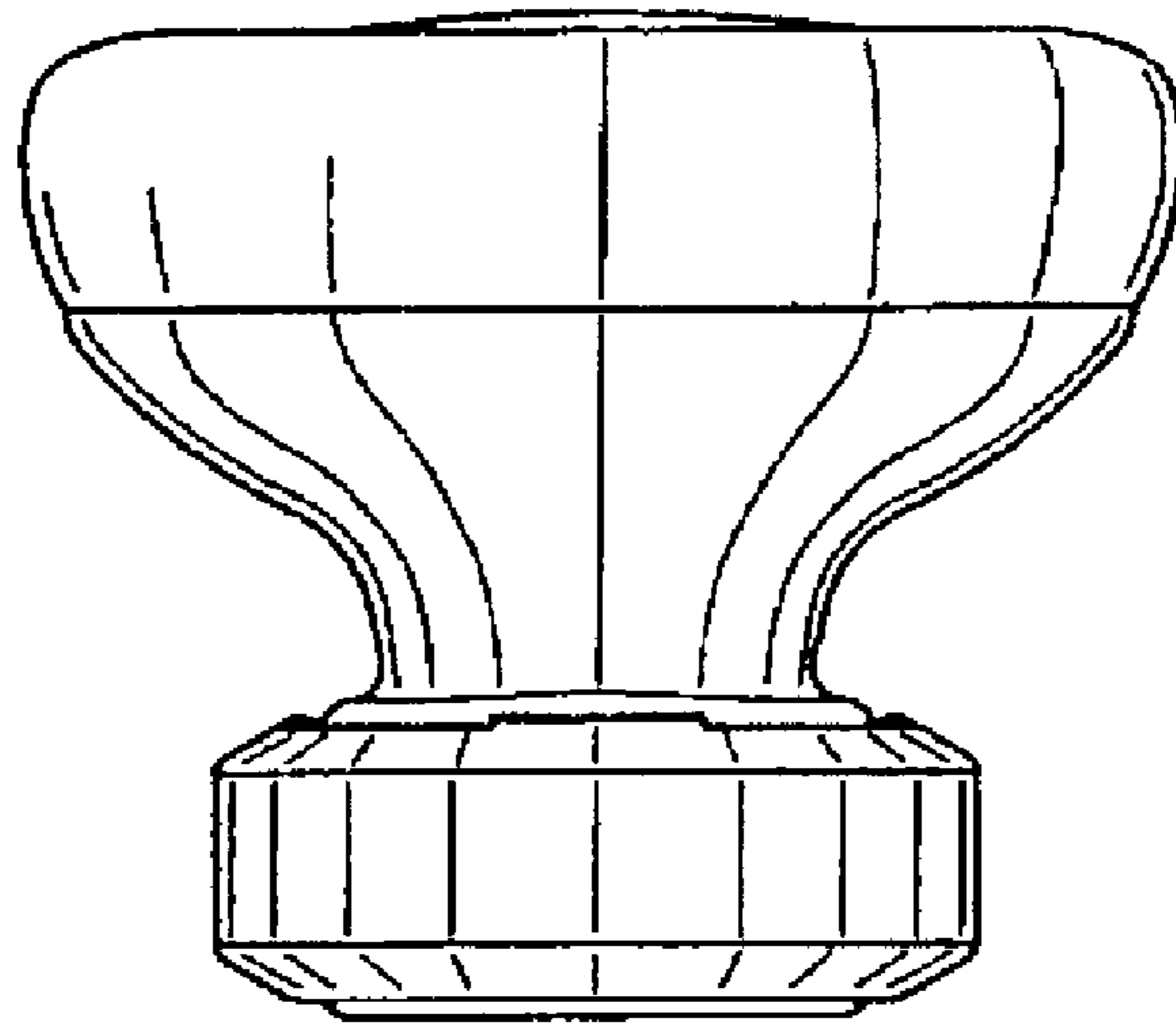


FIG. 6

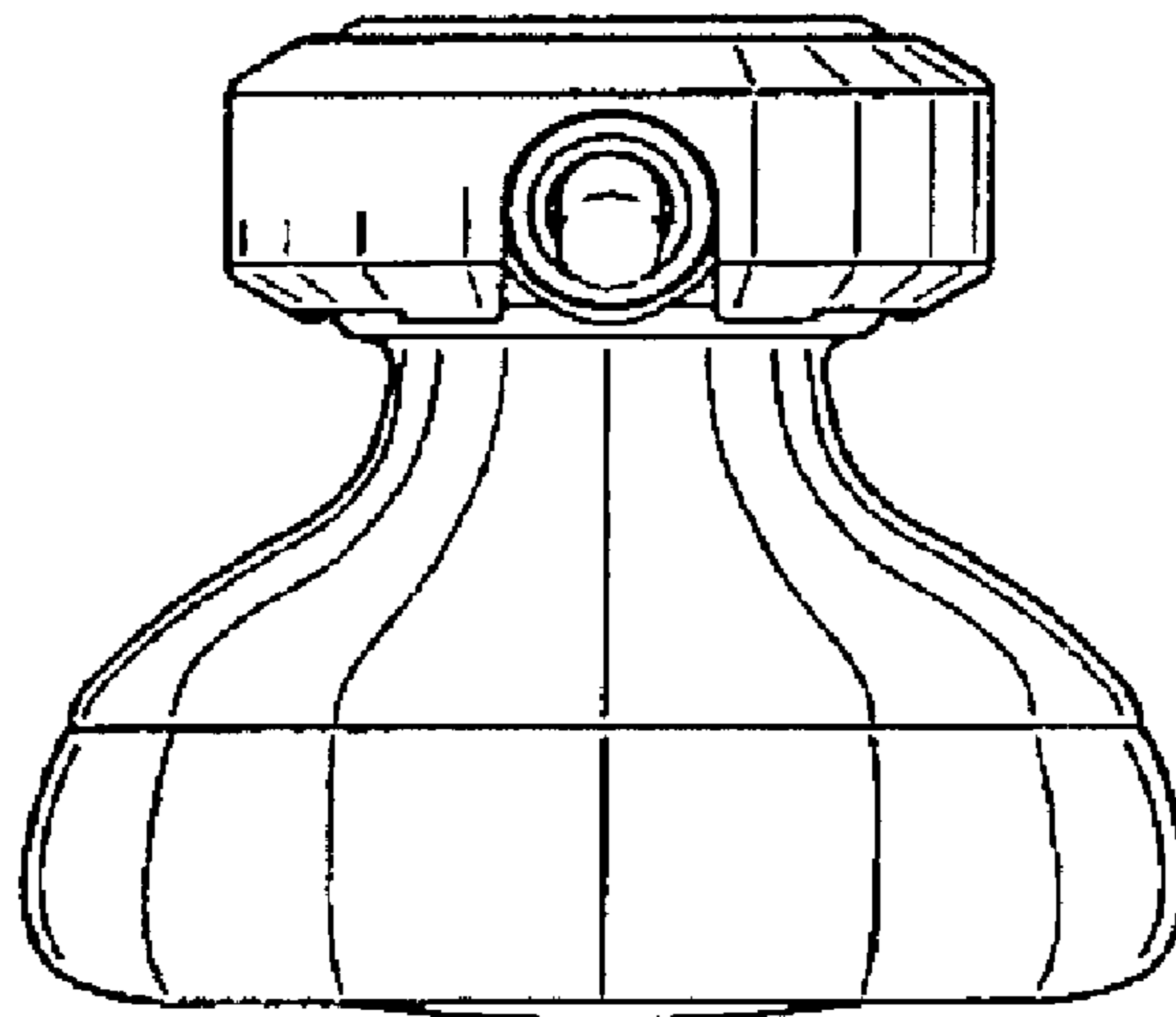


FIG. 7