



US00D512047S

(12) **United States Design Patent**  
**Wright**

(10) **Patent No.: US D512,047 S**

(45) **Date of Patent: \*\* Nov. 29, 2005**

(54) **WALL-MOUNTED SPEAKER**

D476,313 S 6/2003 Rivera  
D486,476 S \* 2/2004 Allen ..... D14/215

(75) Inventor: **Doug S. Wright**, Simi Valley, CA (US)

\* cited by examiner

(73) Assignee: **Conexion Systems, Inc.**, Simi Valley, CA (US)

*Primary Examiner*—Nanda Bondade  
(74) *Attorney, Agent, or Firm*—Julio Loza; Sheldon & Mak

(\*\*) Term: **14 Years**

(57) **CLAIM**

(21) Appl. No.: **29/208,658**

The ornamental design of a wall-mounted speaker, as shown and described.

(22) Filed: **Jul. 1, 2004**

**DESCRIPTION**

(51) **LOC (8) Cl.** ..... **14-01**

(52) **U.S. Cl.** ..... **D14/215**

(58) **Field of Search** ..... D14/204, 207,  
D14/209–216, 356; 248/292.11; 181/143–144,  
147–148, 150, 157, 198–199, 151, 153;  
381/300–302, 306, 333, 345, 361–364,  
386–388, 332, 336

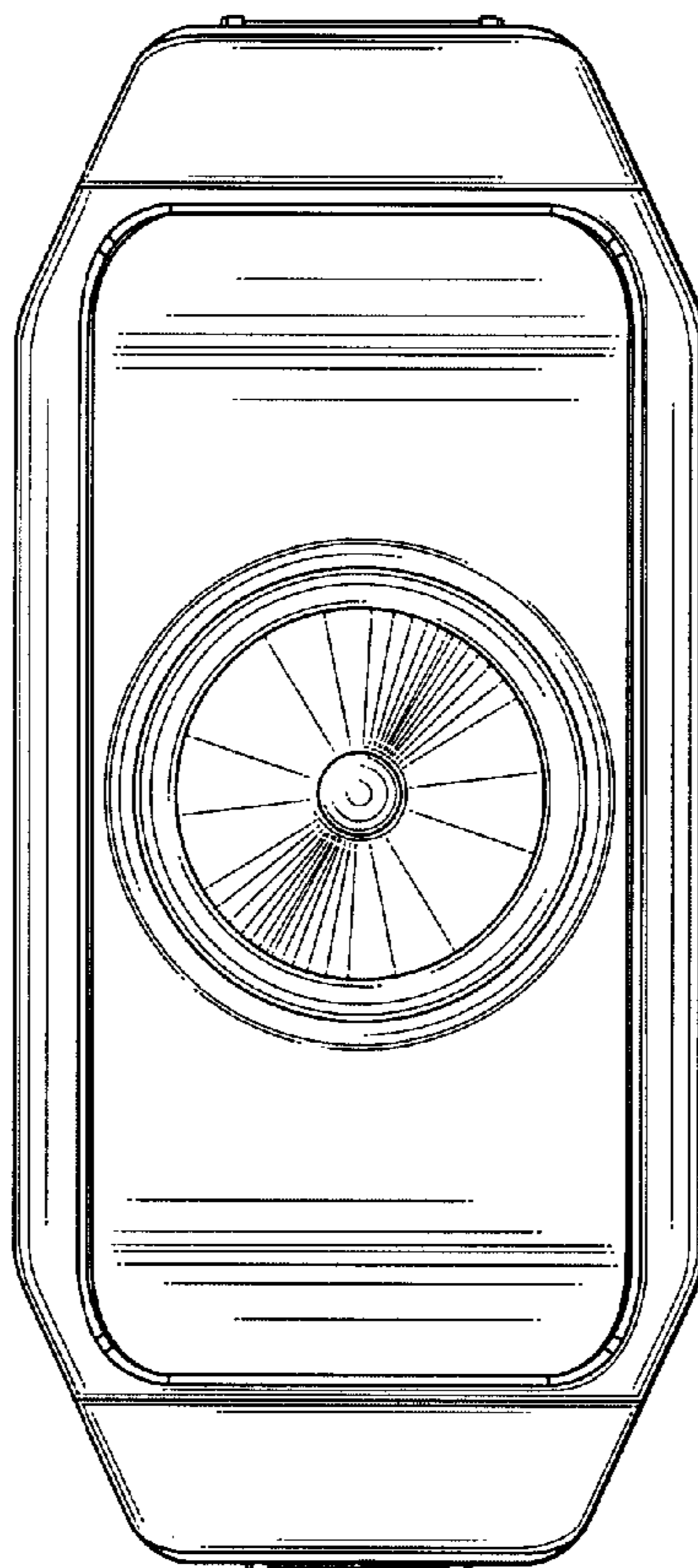
FIG. 1 is a front view of a wall mounted speaker;  
FIG. 2 is a left side view thereof, the right side being a mirror image;  
FIG. 3 is a rear view thereof;  
FIG. 4 is a front bottom perspective view thereof;  
FIG. 5 is a top view thereof, the bottom view being a mirror image;  
FIG. 6 is a rear view thereof, rotated about its integral mounting bracket;  
FIG. 7 is a front right perspective view thereof, rotated about its integral mounting bracket;  
FIG. 8 is a top perspective view thereof, with its end covers in an opened position; and,  
FIG. 9 is a right side view thereof, with its end covers in an opened position.

(56) **References Cited**

**U.S. PATENT DOCUMENTS**

- D239,775 S \* 5/1976 Reed ..... D14/215
- 5,704,578 A \* 1/1998 Fischer ..... 248/288.51
- 5,730,409 A \* 3/1998 Baron et al. .... 248/292.12
- D409,198 S \* 5/1999 Harvey et al. .... D14/215
- D461,465 S 8/2002 Lytel
- D463,785 S 10/2002 Lee
- D465,212 S 11/2002 Lytel

**1 Claim, 4 Drawing Sheets**



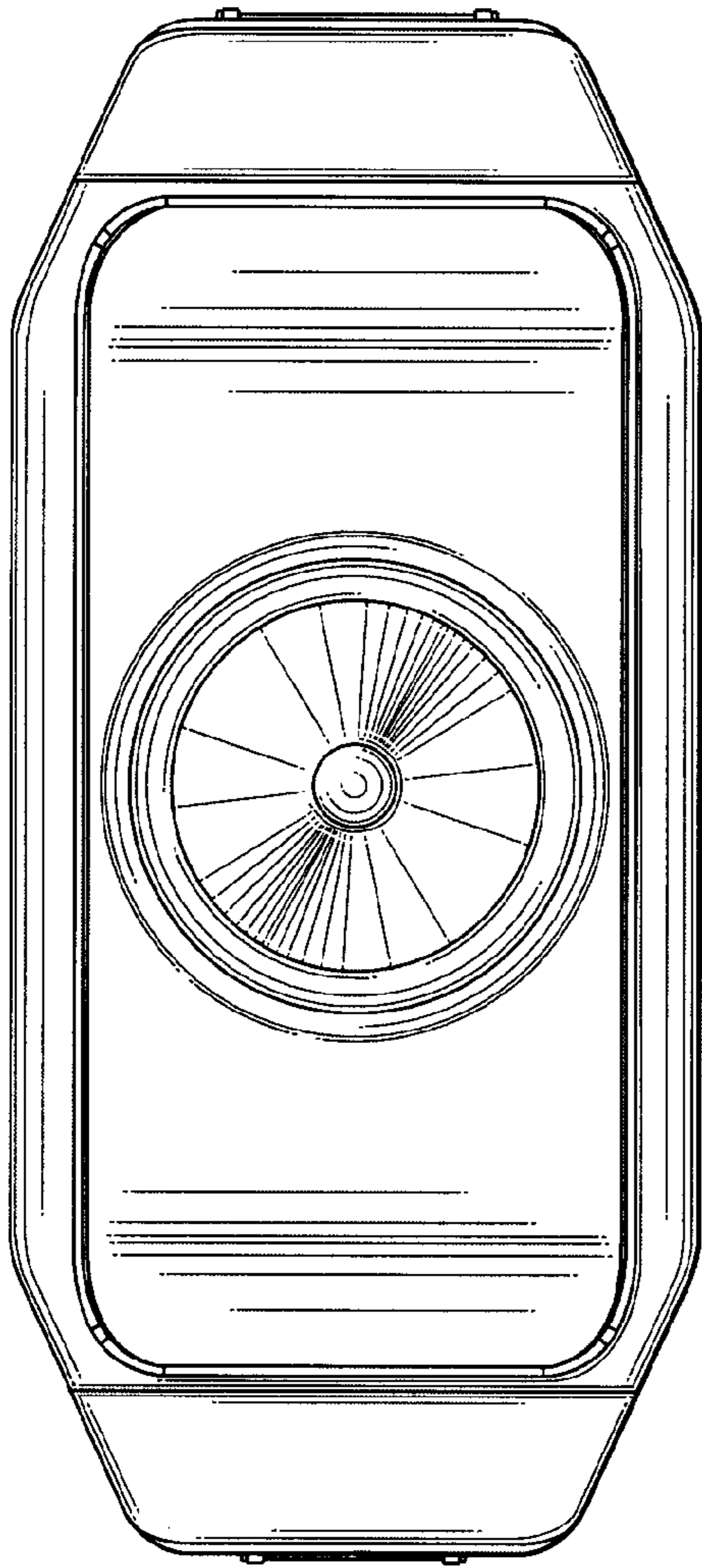


Fig. 1

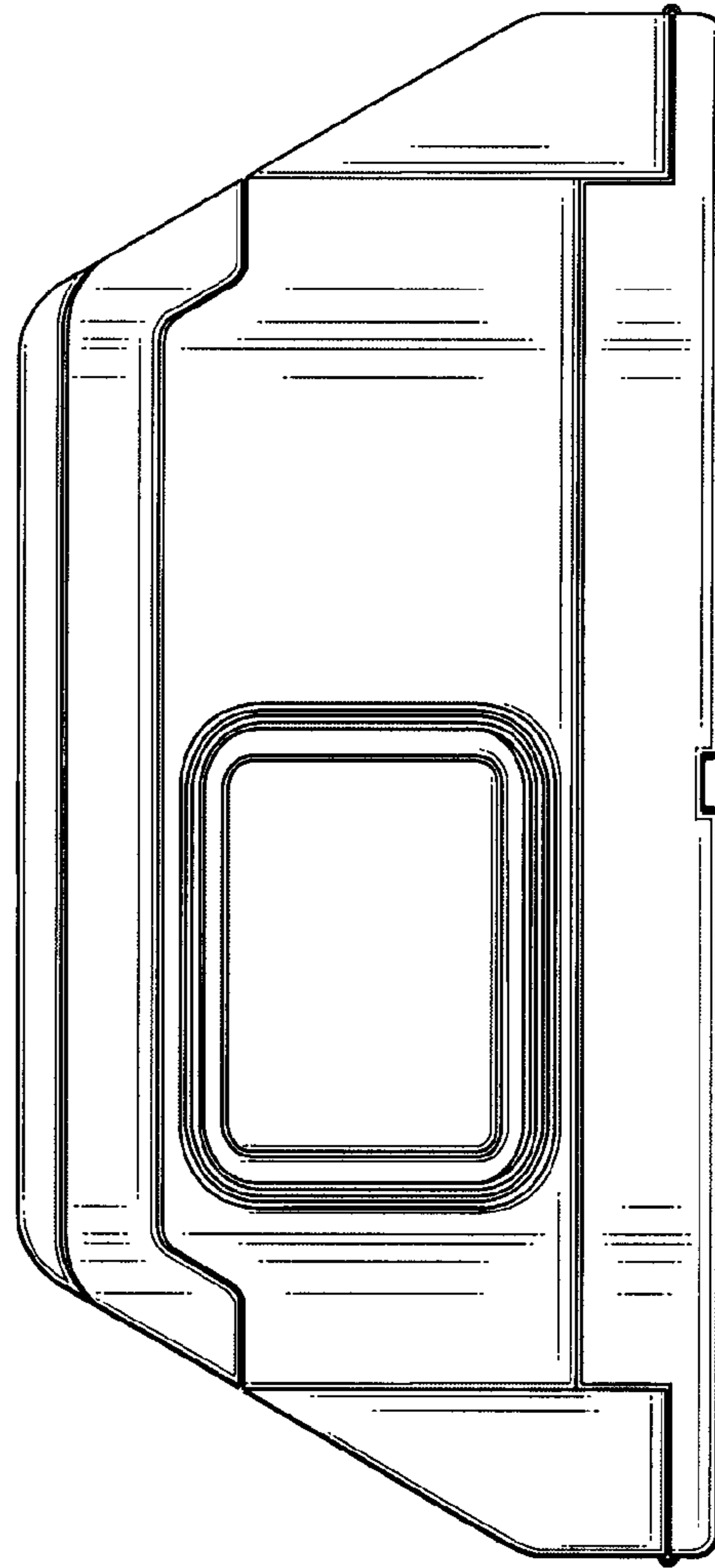


Fig. 2

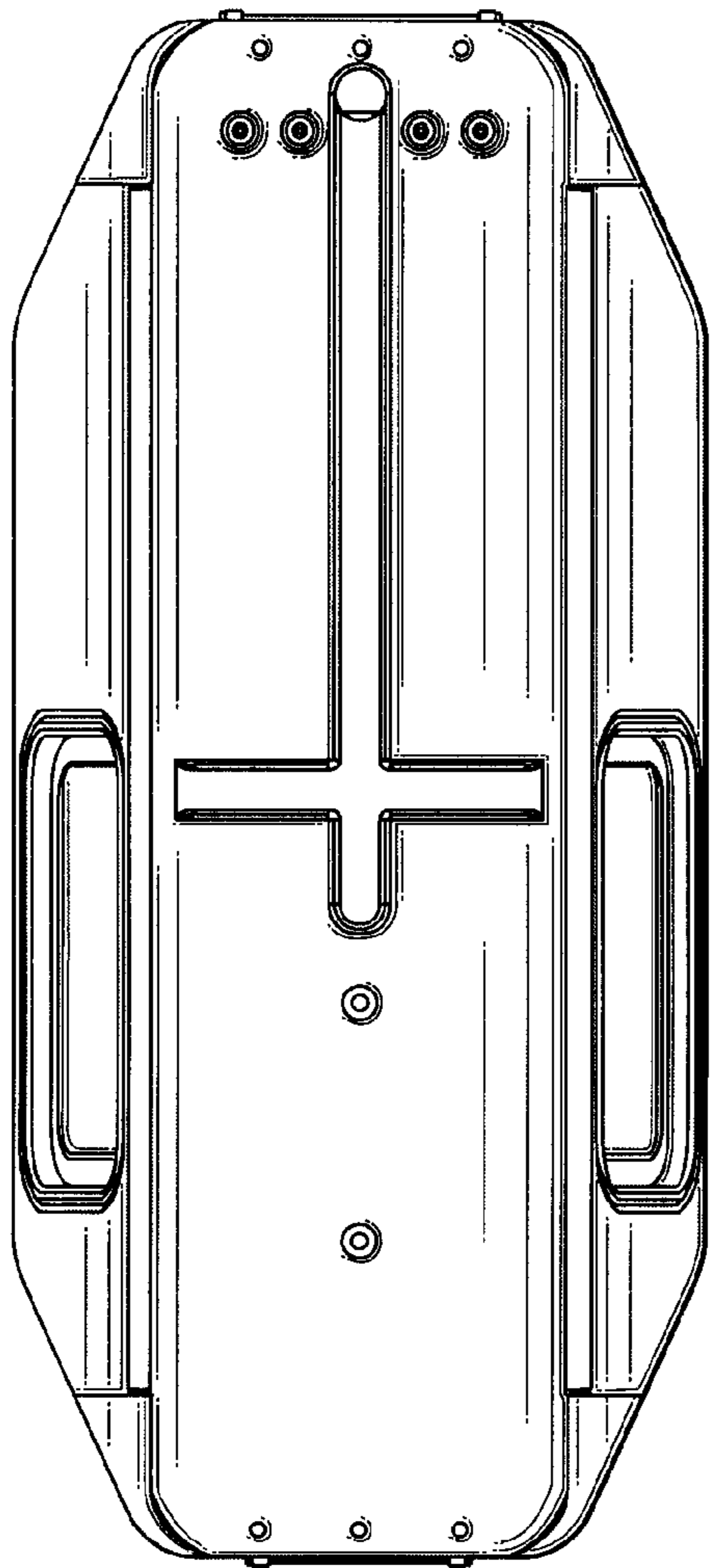


Fig. 3

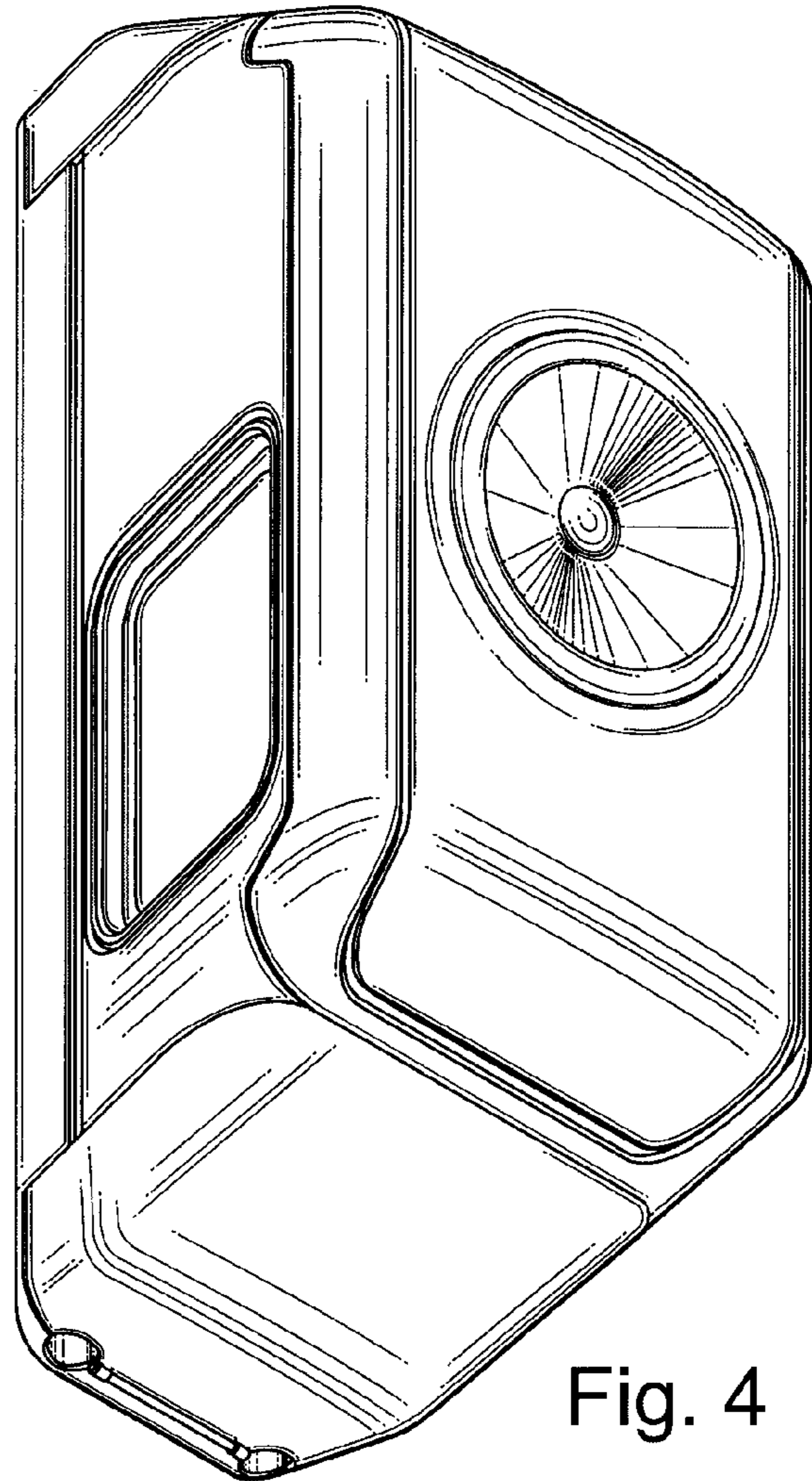


Fig. 4

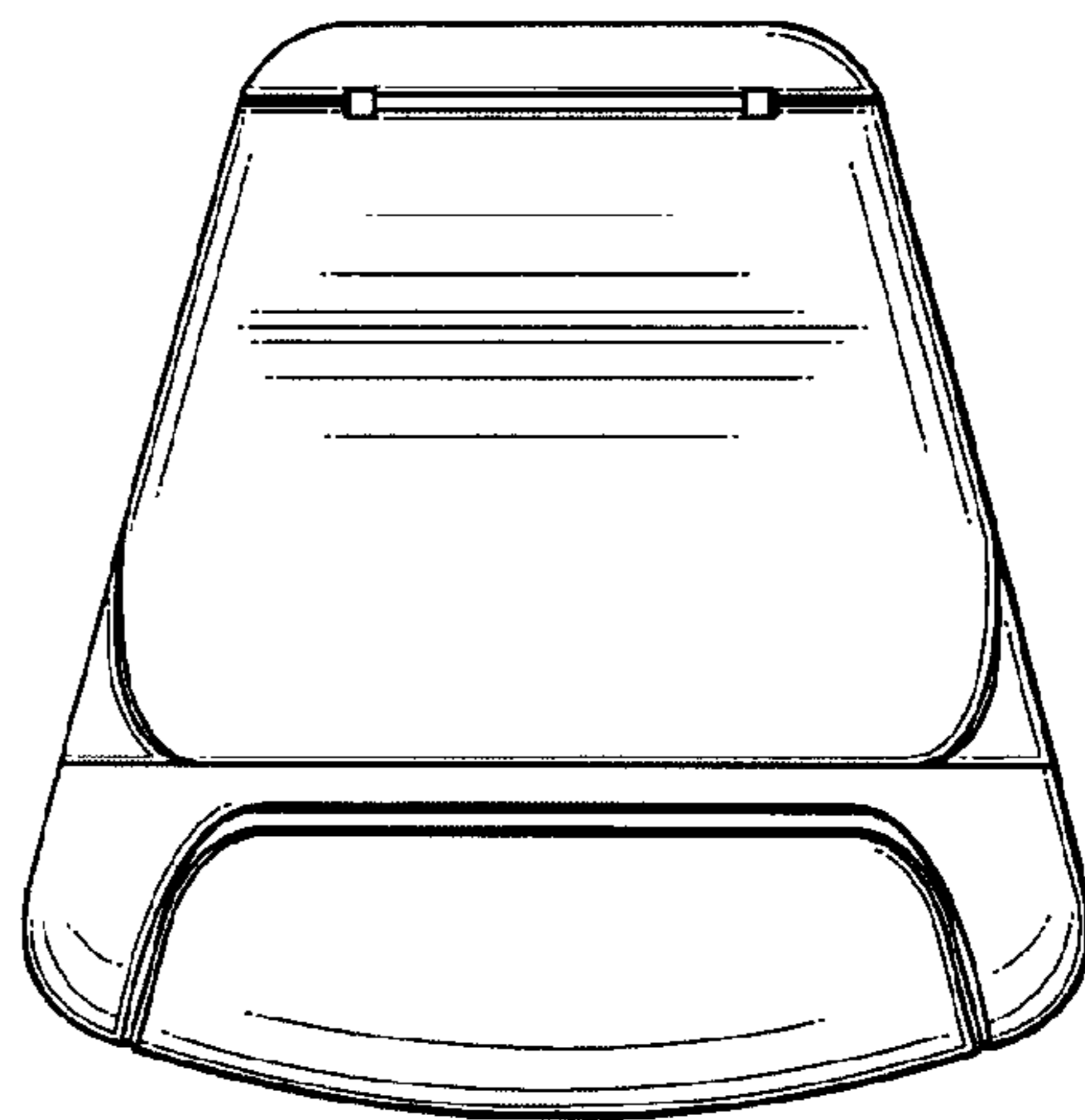


Fig. 5

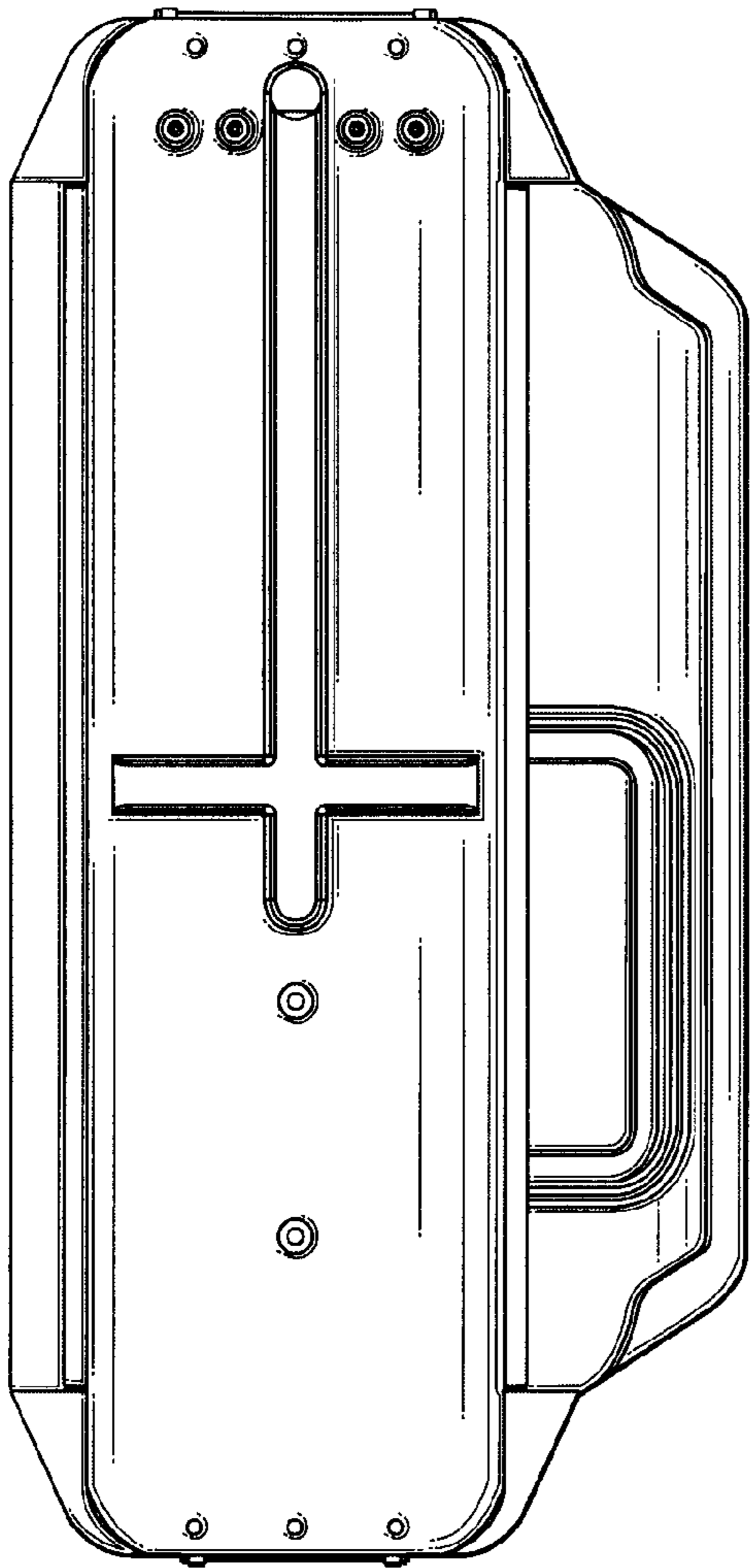


Fig. 6

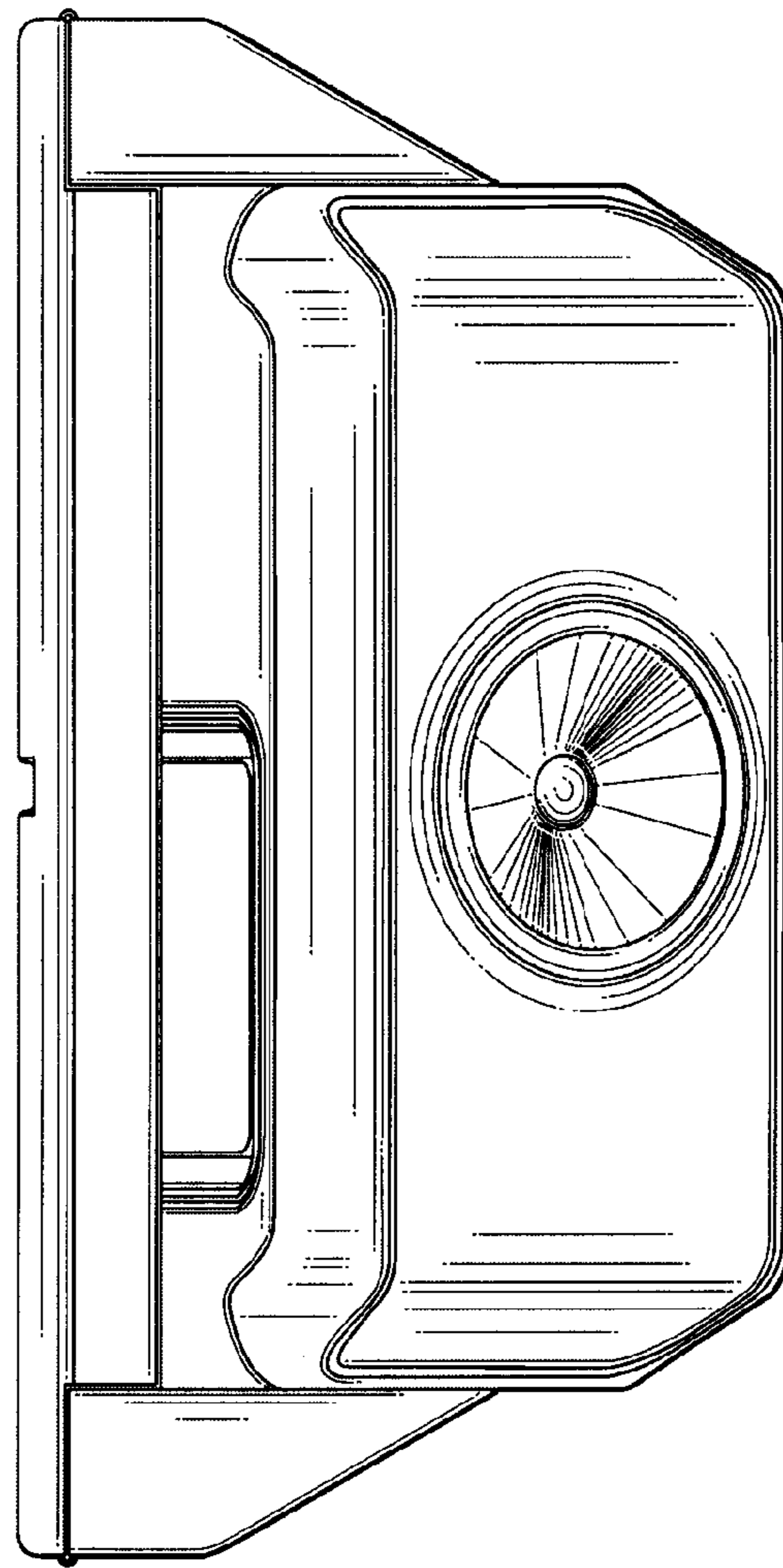


Fig. 7

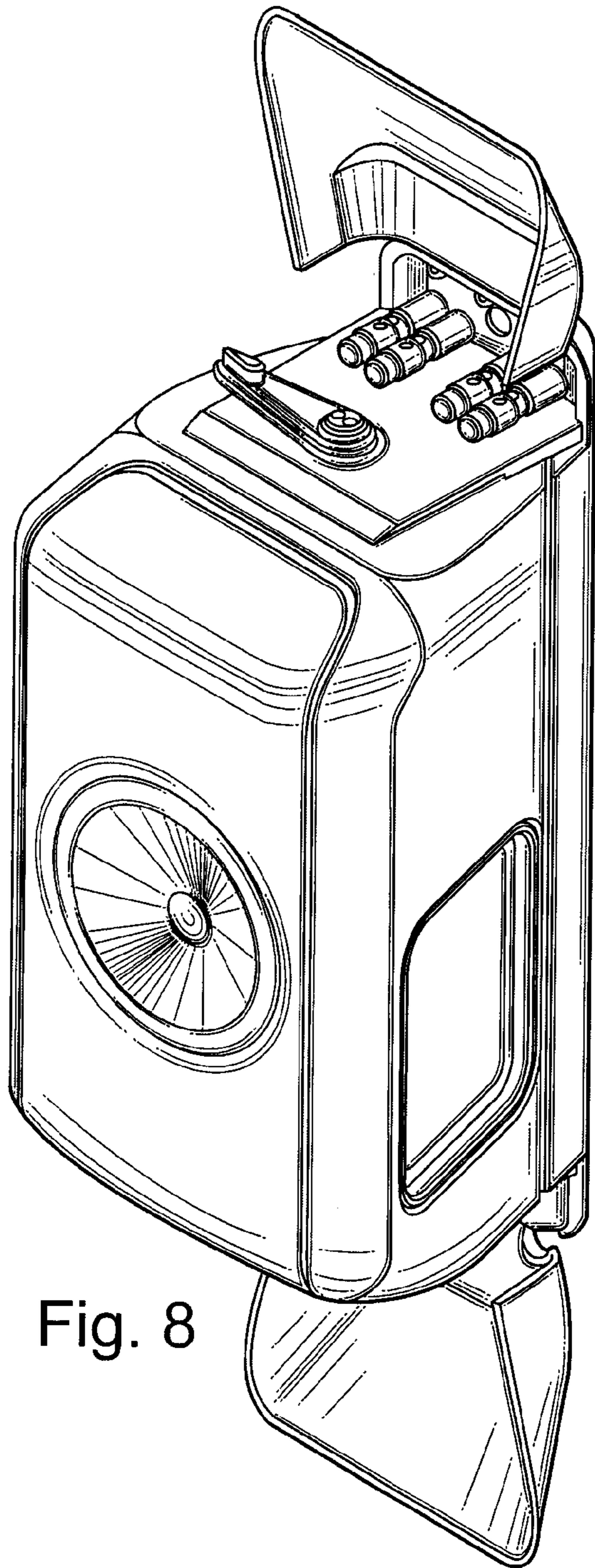


Fig. 8

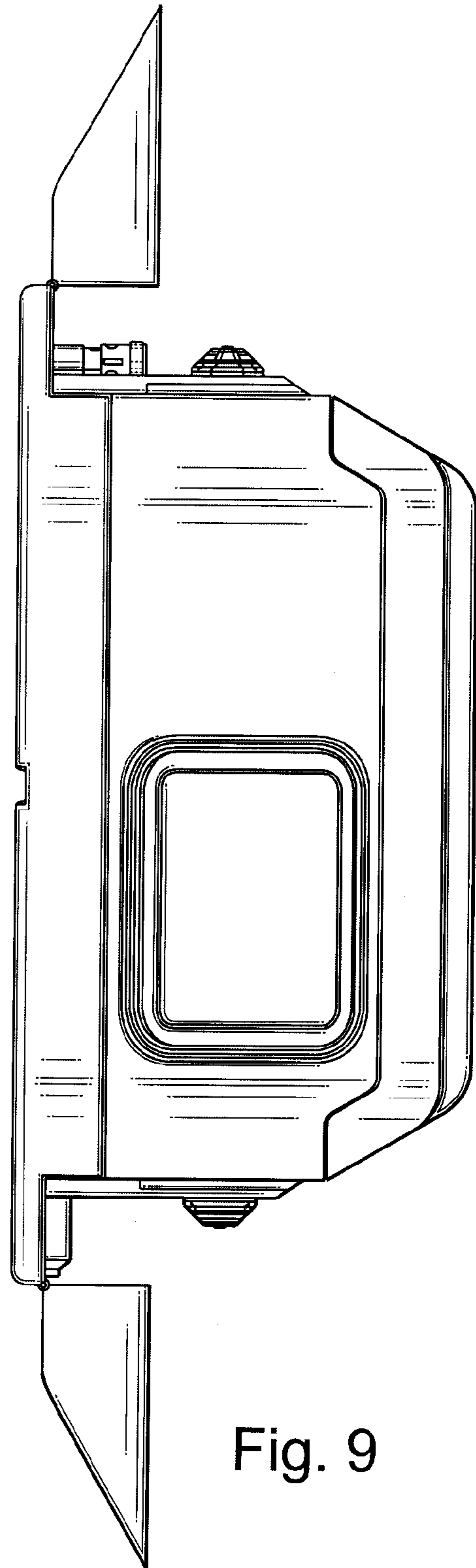


Fig. 9