



US00D512045S

(12) **United States Design Patent**
Motoishi

(10) **Patent No.: US D512,045 S**
(45) **Date of Patent: ** Nov. 29, 2005**

(54) **COMBINED DISC PLAYER, RADIO RECEIVER AND TAPE RECORDER**

(75) Inventor: **Takuya Motoishi**, Tokyo (JP)

(73) Assignee: **Sony Corporation**, Tokyo (JP)

(**) Term: **14 Years**

(21) Appl. No.: **29/198,930**

(22) Filed: **Feb. 9, 2004**

(51) **LOC (8) Cl. 14-01**

(52) **U.S. Cl. D14/168**

(58) **Field of Search** D14/135-136,
D14/156-157, 160-165, 167-168, 192-198,
188, 217, 257, 258, 445; 360/99.02, 99.07;
369/75.11, 75.21, 77.21, 77.11; 720/612,
619, 647, 655; 455/344, 347-351

(56) **References Cited**

U.S. PATENT DOCUMENTS

D416,557 S	11/1999	Matsuoka	
D424,058 S	* 5/2000	Shudo	D14/168
D452,852 S	1/2002	Hyogo et al.	
D455,415 S	* 4/2002	Suzuki	D14/168
D467,569 S	12/2002	Kobayashi	
D468,718 S	* 1/2003	Cuvelier	D14/168

OTHER PUBLICATIONS

Web page “Panasonic ideas for life, SC-AK110” [http://catalog2.panasonic.com/webapp/wcs/stores/servlet/Model-Detail?storeId=11251&catalogId . . .](http://catalog2.panasonic.com/webapp/wcs/stores/servlet/Model-Detail?storeId=11251&catalogId...), 1 sheet, Panasonic (Nov. 2003).

Web page “Panasonic ideas for life, SC-AK310” [http://catalog2.panasonic.com/webapp/wcs/stores/servlet/Model-Detail?storeId=11251&catalogId . . .](http://catalog2.panasonic.com/webapp/wcs/stores/servlet/Model-Detail?storeId=11251&catalogId...), 1 sheet, Panasonic (Nov. 2003).

Web page “Panasonic ideas for life, SC-AK410S” [http://catalog2.panasonic.com/webapp/wcs/stores/servlet/Model-Detail?storeId=11251&catalogId . . .](http://catalog2.panasonic.com/webapp/wcs/stores/servlet/Model-Detail?storeId=11251&catalogId...), 1 sheet, Panasonic (Nov. 2003).

Web page “Panasonic ideas for life, SC-AK510” [http://catalog2.panasonic.com/webapp/wcs/stores/servlet/Model-Detail?storeId=11251&catalogId . . .](http://catalog2.panasonic.com/webapp/wcs/stores/servlet/Model-Detail?storeId=11251&catalogId...), 1 sheet, Panasonic (Nov. 2003).

Web page “Panasonic ideas for life, SC-AK610” [http://catalog2.panasonic.com/webapp/wcs/stores/servlet/Model-Detail?storeId=11251&catalogId . . .](http://catalog2.panasonic.com/webapp/wcs/stores/servlet/Model-Detail?storeId=11251&catalogId...), 1 sheet, Panasonic (Nov. 2003).

Web page “DC-M1(W)” http://www.yodobashi.com/enjoy/more/i/oid2_438/7358310.html, 1 sheet, Yodobashi Camera (Dec. 2003).

Web page “SonyStyle USA-MHC-GX25” [http://www.sonymystyle.com/is-bin/INTERSHOP.enfinity/eCS/Store/en/-/USD/SY_DisplayProductInform . . .](http://www.sonymystyle.com/is-bin/INTERSHOP.enfinity/eCS/Store/en/-/USD/SY_DisplayProductInform...), 1 sheet, Sony (Dec. 2003).

(Continued)

Primary Examiner—Nanda Bondade

(74) *Attorney, Agent, or Firm*—Rader, Fishman & Grauer PLLC

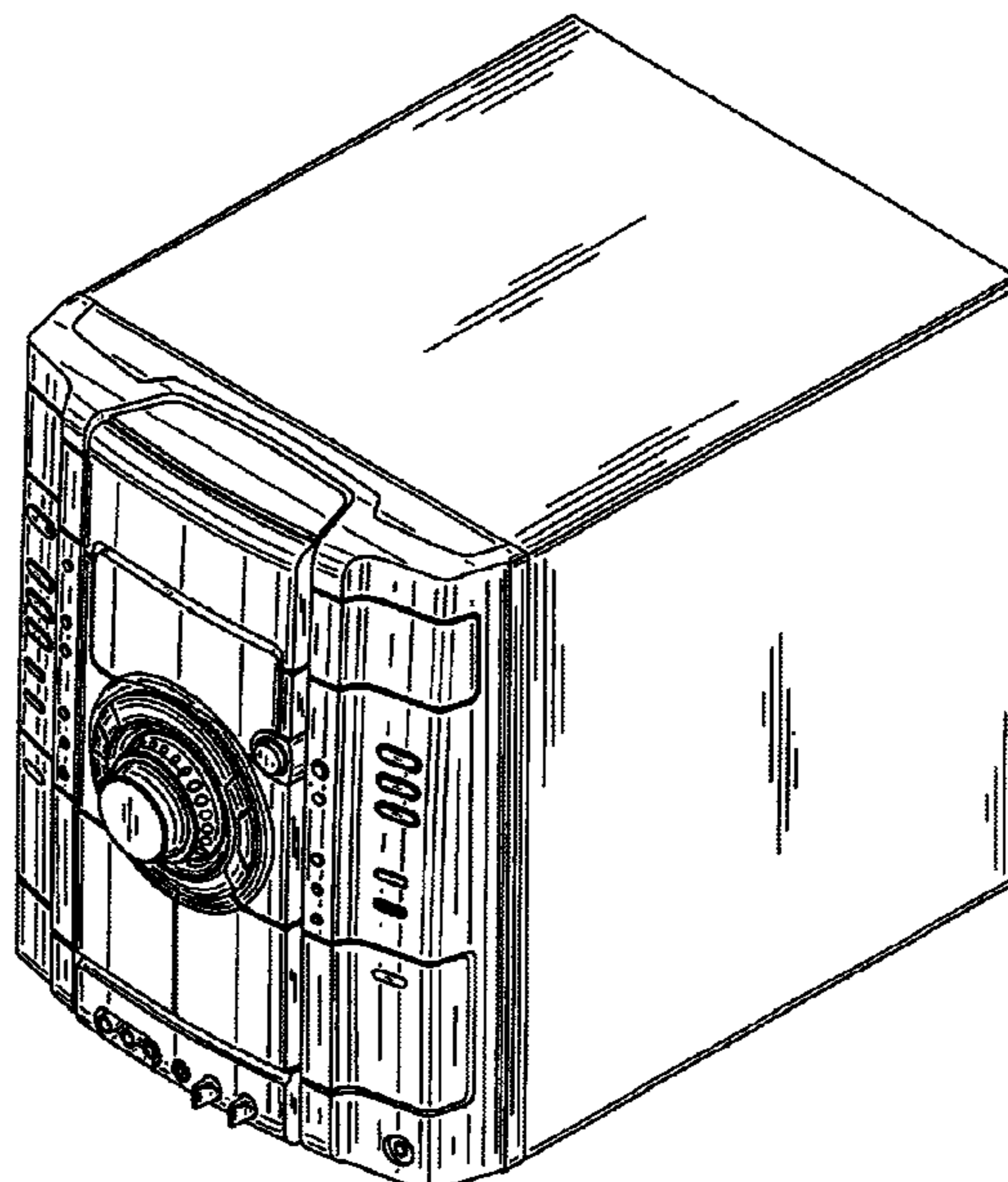
(57) **CLAIM**

The ornamental design for a combined disc player, radio receiver and tape recorder, as shown.

DESCRIPTION

FIG. 1 is a perspective view of a combined disc player, radio receiver and tape recorder showing my new design; FIG. 2 is a front elevational view thereof; FIG. 3 is a rear elevational view thereof; FIG. 4 is a left side elevational view thereof; FIG. 5 is a right side elevational view thereof; FIG. 6 is a top plan view thereof; and, FIG. 7 is a bottom plan view thereof.

1 Claim, 4 Drawing Sheets



OTHER PUBLICATIONS

Web page “SonyStyle USA–MHC–GX45” [http://www.sonystyle.com/is-bin/INTERSHOP.enfinity/eCS/Store/en/-/USD/SY_DisplayProductInform . . .](http://www.sonystyle.com/is-bin/INTERSHOP.enfinity/eCS/Store/en/-/USD/SY_DisplayProductInform...), 1 sheet, Sony (Dec. 2003).
Web page “SonyStyle USA–MHC–GX8800” [http://www.sonystyle.com/is-bin/INTERSHOP.enfinity/eCS/Store/en/-/USD/SY_DisplayProductInform . . .](http://www.sonystyle.com/is-bin/INTERSHOP.enfinity/eCS/Store/en/-/USD/SY_DisplayProductInform...), 1 sheet, Sony (Dec. 2003).

/USD/SY_DisplayProductInform . . . , 1 sheet, Sony (Dec. 2003).

Web page “SonyStyle USA–CMT–HP7” [http://www.sonystyle.com/is-bin/INTERSHOP.enfinity/eCS/Store/en/-/USD/SY_DisplayProductInform . . .](http://www.sonystyle.com/is-bin/INTERSHOP.enfinity/eCS/Store/en/-/USD/SY_DisplayProductInform...), 1 sheet, Sony (Dec. 2003).

* cited by examiner

Fig. 1

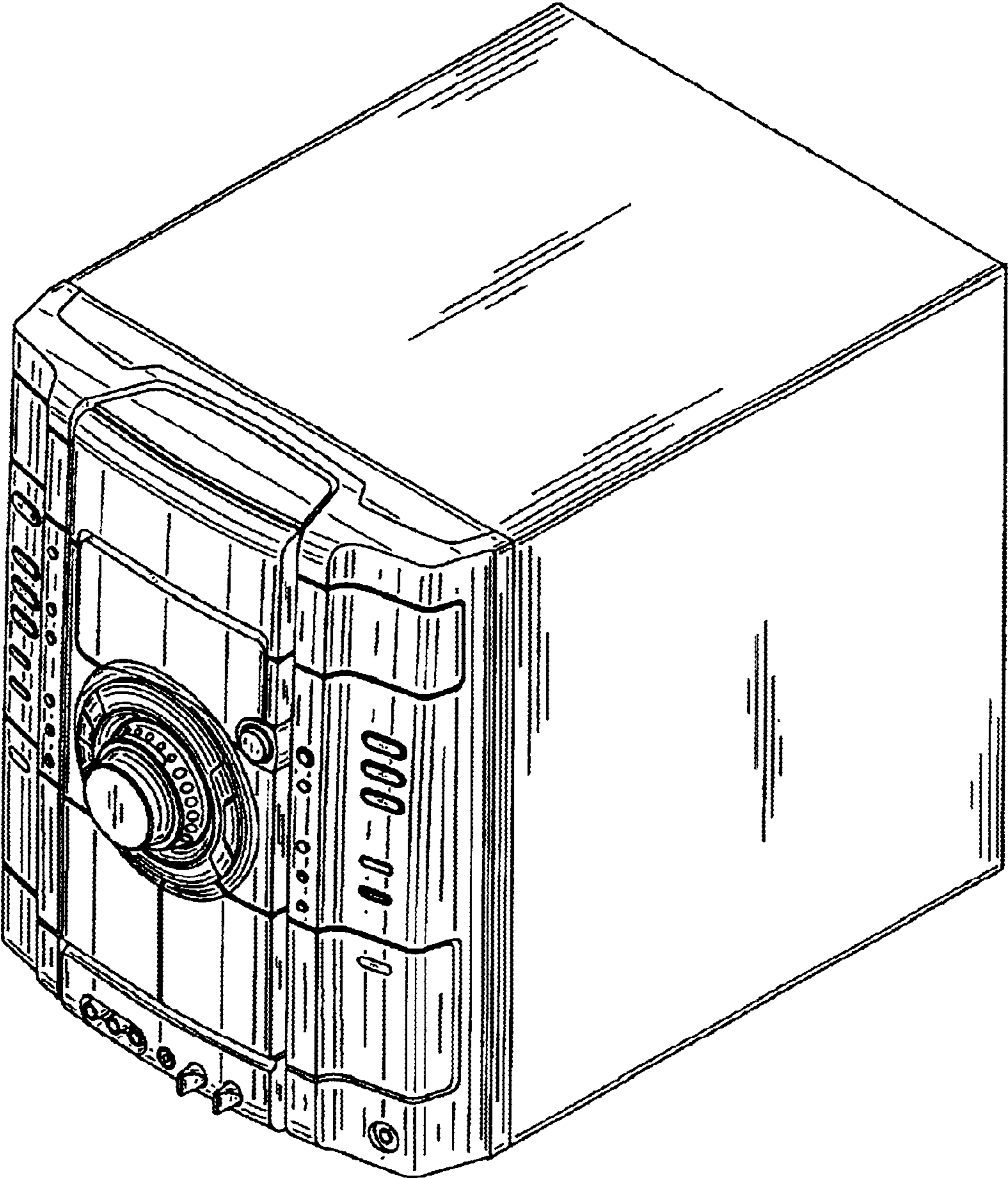


Fig.2

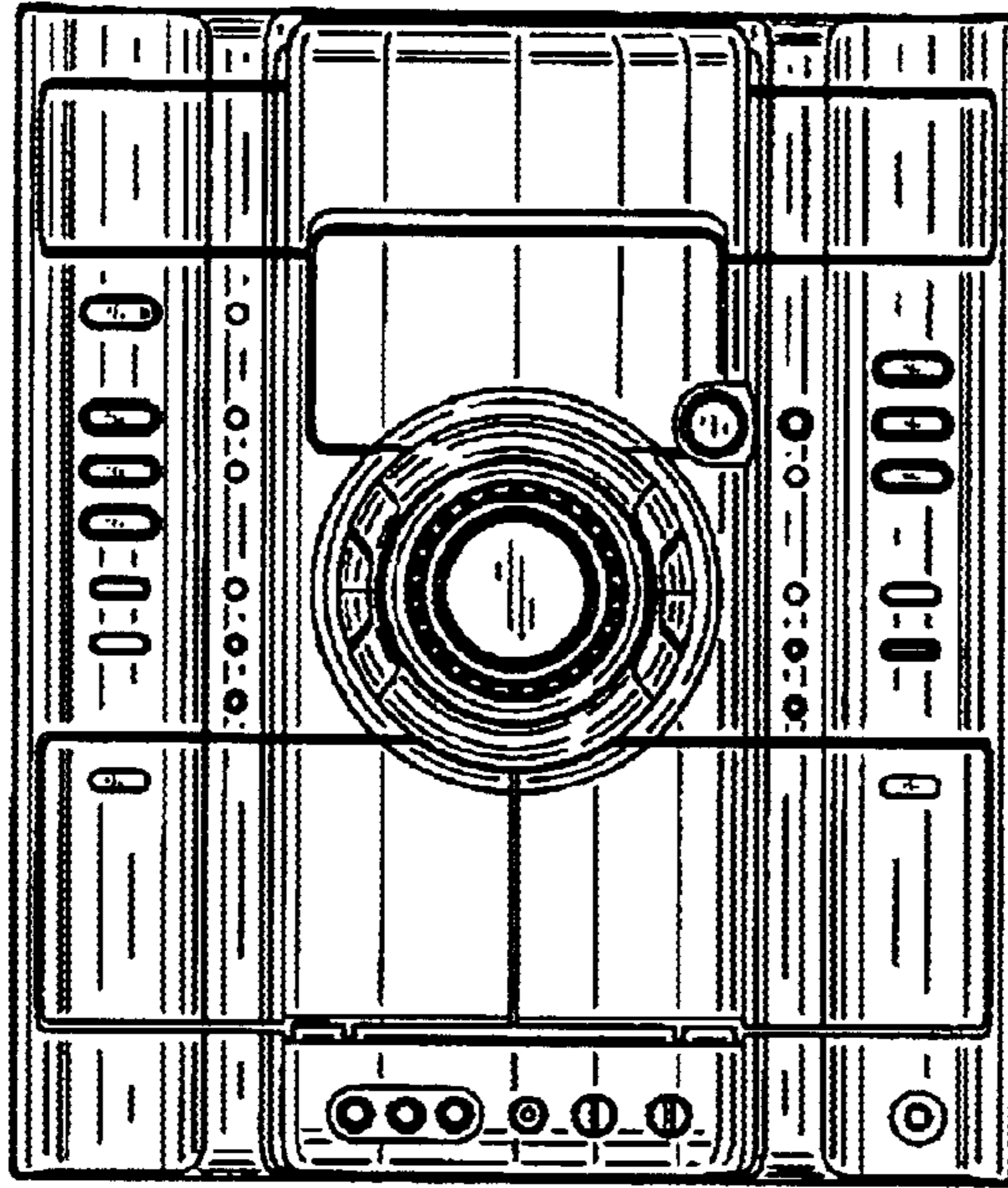


Fig.3

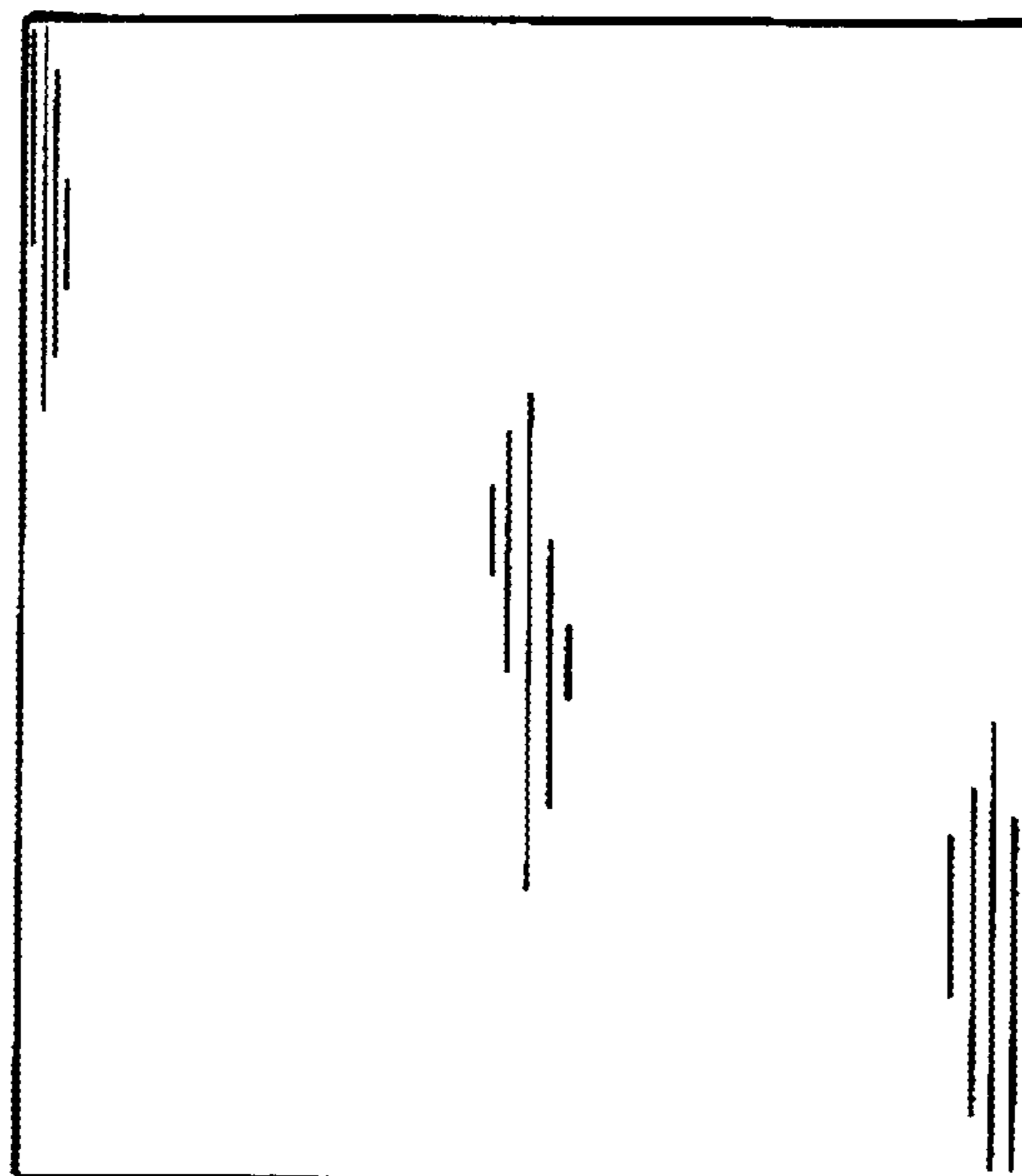


Fig.4

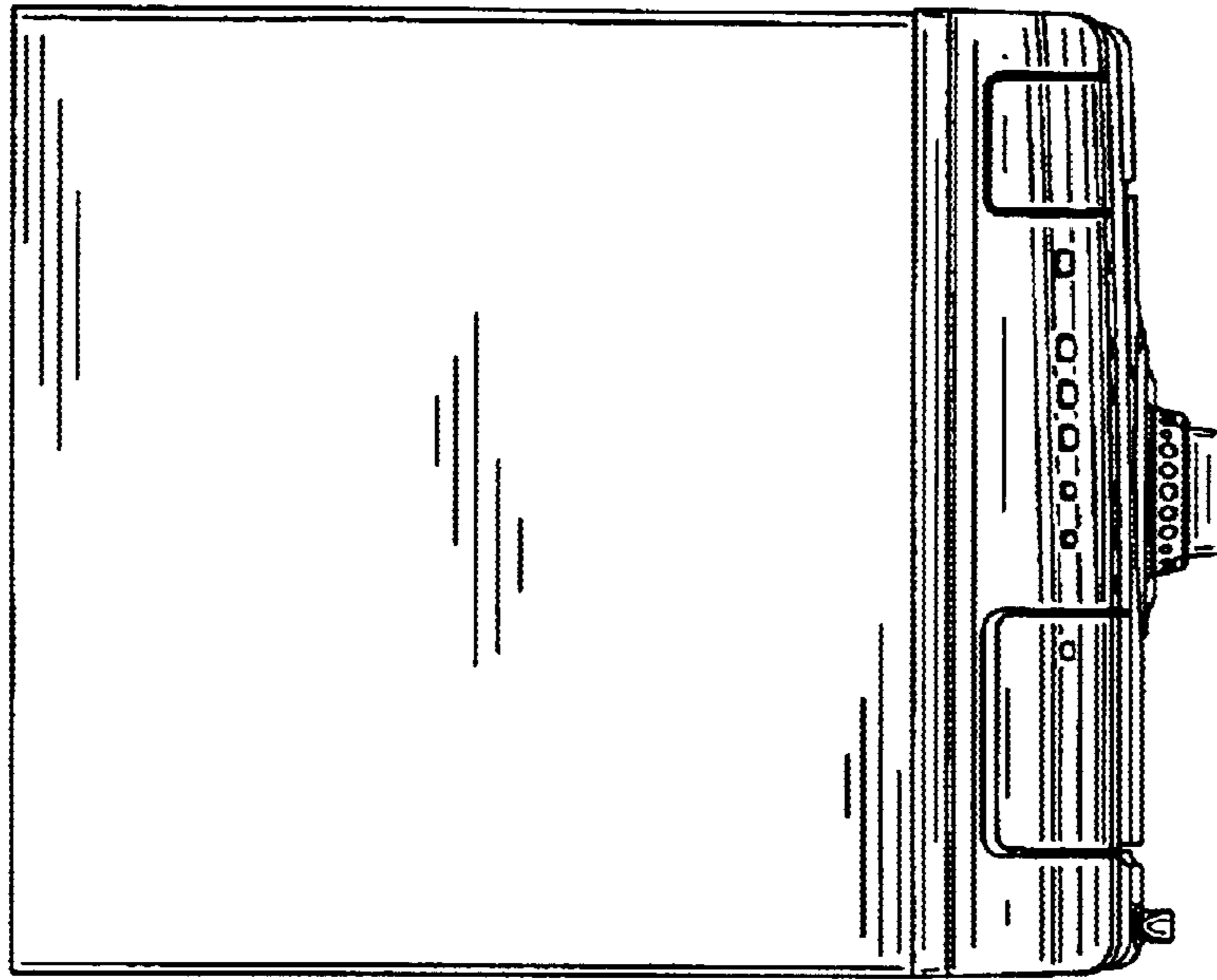


Fig.5

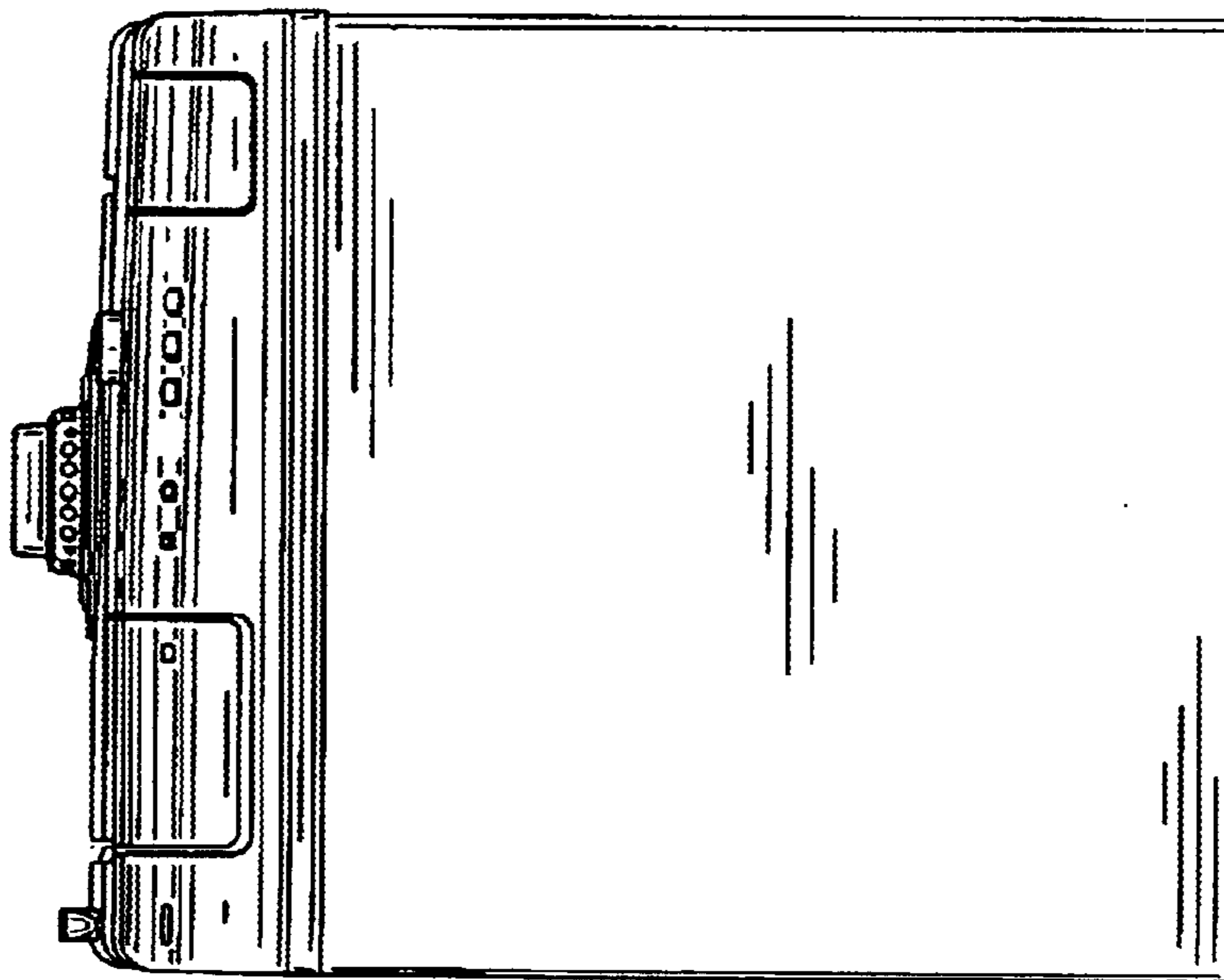


Fig.6

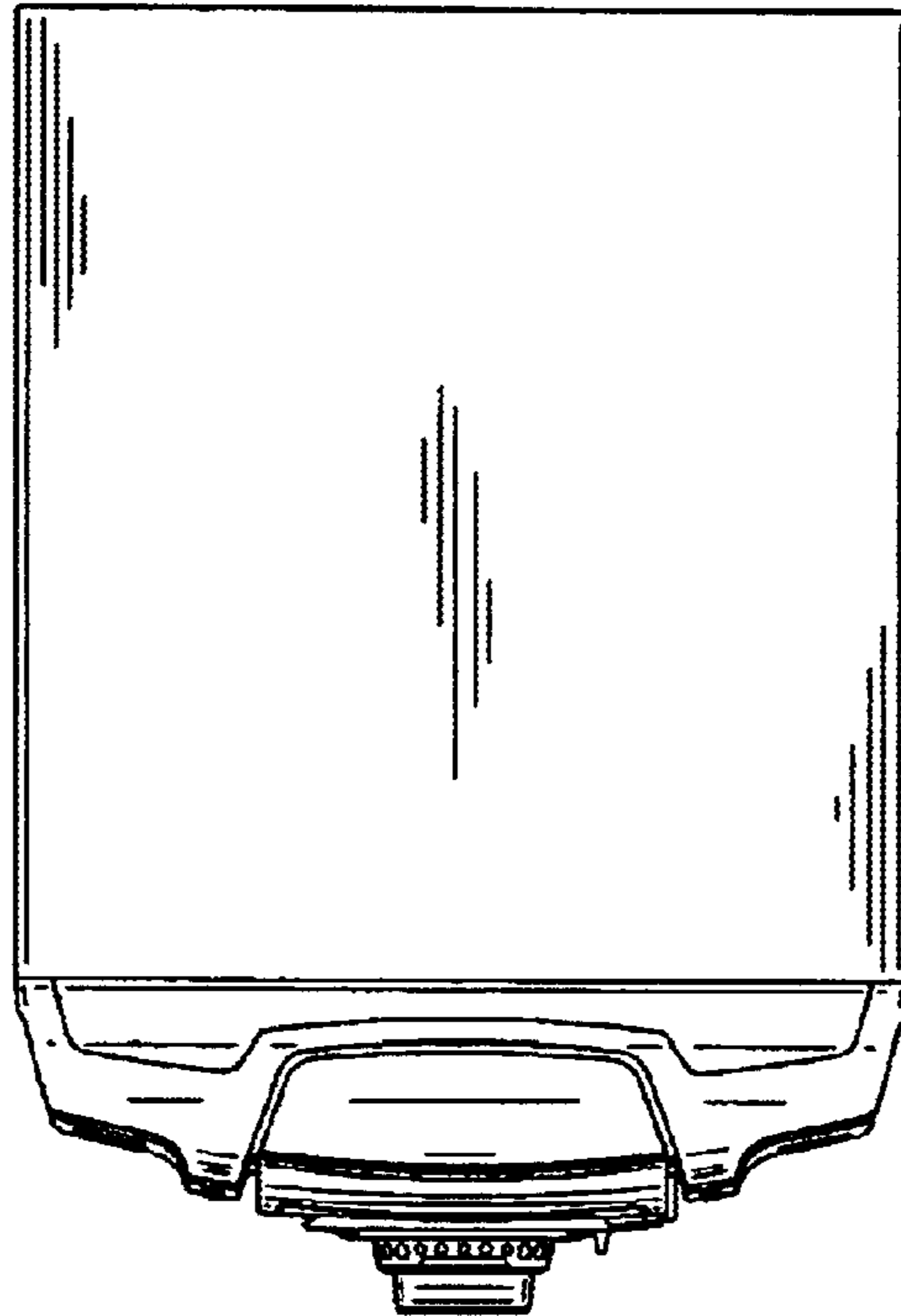


Fig.7

