



US00D512036S

(12) **United States Design Patent**
Wu

(10) **Patent No.: US D512,036 S**

(45) **Date of Patent: ** Nov. 29, 2005**

(54) **MULTI-MEDIA DVD RECORDING AND/OR REPRODUCING DEVICE**

(75) **Inventor: Chun-Ting Wu, Hsinchu (TW)**

(73) **Assignee: Lite-On It Corporation, Taipei (TW)**

(**) **Term: 14 Years**

(21) **Appl. No.: 29/201,014**

(22) **Filed: Mar. 9, 2004**

(30) **Foreign Application Priority Data**

Jan. 8, 2004 (TW) 93300115

(51) **LOC (8) Cl. 14-01**

(52) **U.S. Cl. D14/136; D14/167**

(58) **Field of Search** D14/445, 260.1,
D14/258, 257, 224, 217, 198, 197, 196,
195, 194, 193, 192, 188, 168, 167, 156,
136, 135; 455/350, 347, 344; 369/77.1,
75.2, 75.1

(56) **References Cited**

U.S. PATENT DOCUMENTS

| | | | | | |
|------------|---|---------|-------------|-------|---------|
| D314,197 S | * | 1/1991 | Ito et al. | | D14/156 |
| D314,198 S | * | 1/1991 | Ito et al. | | D14/156 |
| D323,501 S | * | 1/1992 | Kim | | D14/135 |
| D385,275 S | * | 10/1997 | Ito et al. | | D14/156 |
| D409,605 S | * | 5/1999 | Miyazaki | | D14/156 |
| D421,260 S | * | 2/2000 | Hyogo | | D14/167 |
| D431,546 S | * | 10/2000 | Ito et al. | | D14/167 |
| D432,112 S | * | 10/2000 | Hisatsune | | D14/156 |
| D438,183 S | * | 2/2001 | Sato et al. | | D14/136 |
| D439,228 S | * | 3/2001 | Tsuge | | D14/136 |

| | | | | | |
|------------|---|---------|------------------|-------|---------|
| D467,567 S | * | 12/2002 | Tsuge | | D14/156 |
| D472,534 S | * | 4/2003 | Ueno et al. | | D14/136 |
| D480,693 S | * | 10/2003 | Johansson et al. | | D14/136 |
| D484,473 S | * | 12/2003 | Johansson et al. | | D14/136 |
| D485,814 S | * | 1/2004 | Winkler | | D14/136 |
| D487,571 S | * | 3/2004 | Kuo et al. | | D14/136 |
| D494,150 S | * | 8/2004 | Wu | | D14/136 |
| D494,554 S | * | 8/2004 | Wu | | D14/136 |
| D494,555 S | * | 8/2004 | Wu | | D14/136 |
| D497,148 S | * | 10/2004 | Kamata et al. | | D14/136 |
| D499,706 S | * | 12/2004 | Kawano | | D14/135 |

* cited by examiner

Primary Examiner—Cathron C. Brooks

Assistant Examiner—Austin Murphy

(74) *Attorney, Agent, or Firm*—Thomas, Kayden, Horstemeyer & Risley

(57) **CLAIM**

I claim the ornamental design for a multi-media DVD recording and/or reproducing device, as shown and described.

DESCRIPTION

FIG. 1 is a perspective view of multi-media DVD recording and/or reproducing device showing my new design;

FIG. 2 is a front elevational view thereof;

FIG. 3 is a rear elevational view thereof;

FIG. 4 is a left side elevational view thereof;

FIG. 5 is a right side elevational view thereof;

FIG. 6 is a top plan view thereof; and,

FIG. 7 is a bottom plan view thereof.

The broken lines shown in FIGS. 3–7 form no part of the claimed design.

1 Claim, 3 Drawing Sheets

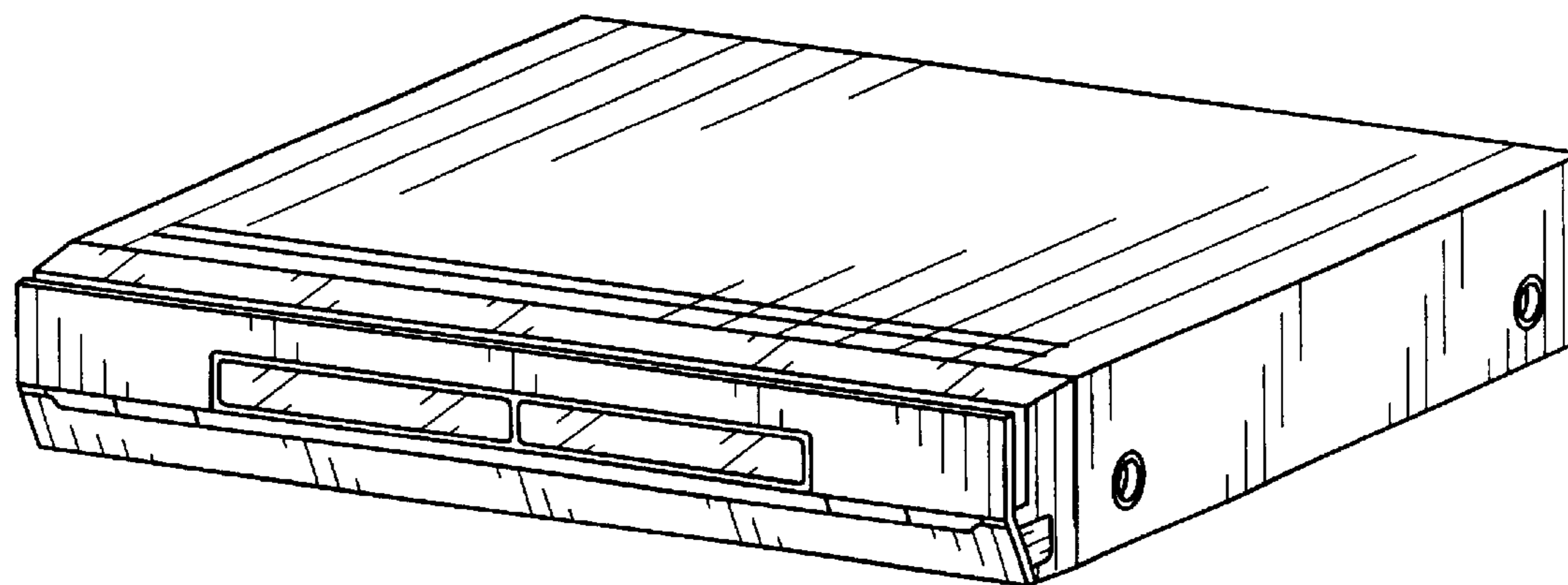


FIG.1

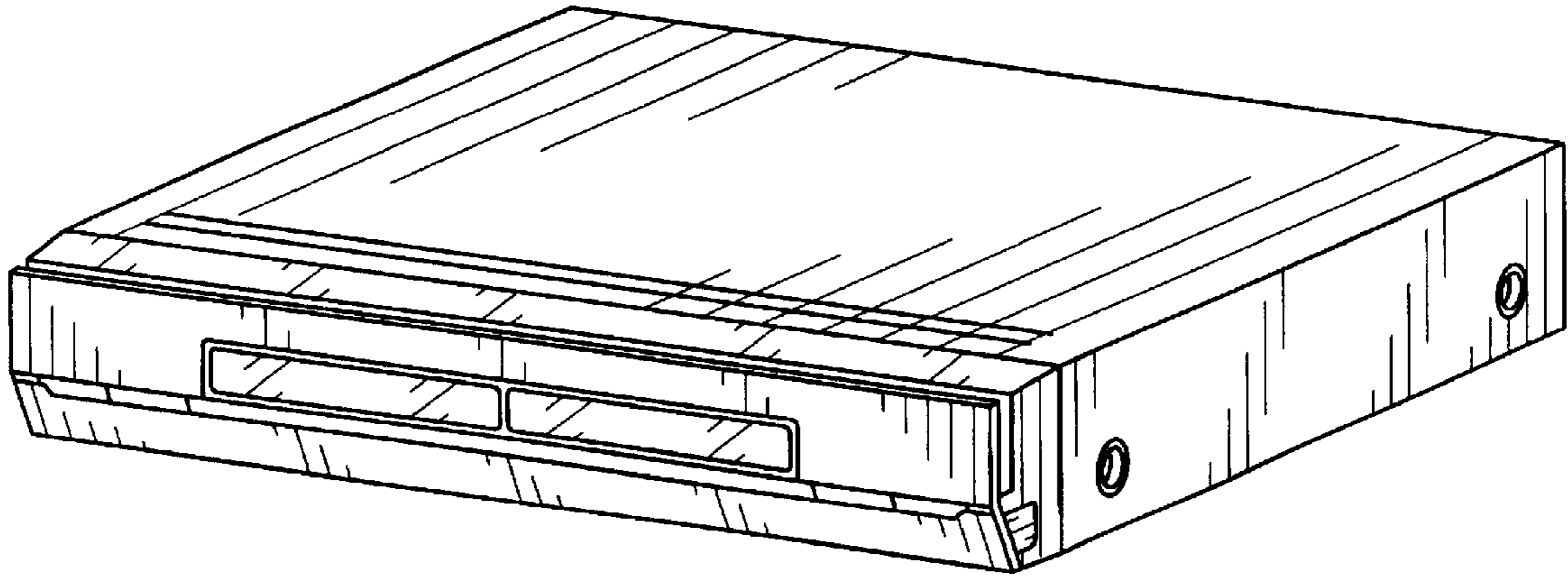


FIG.2

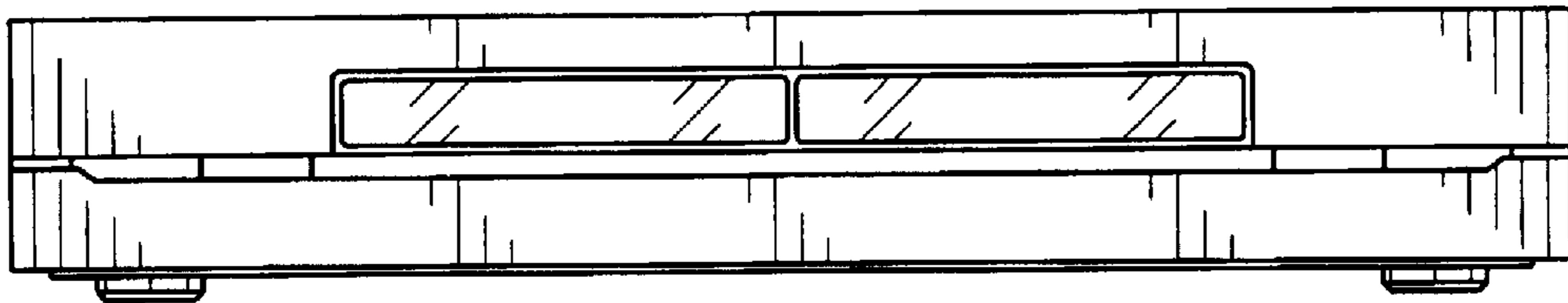


FIG.3

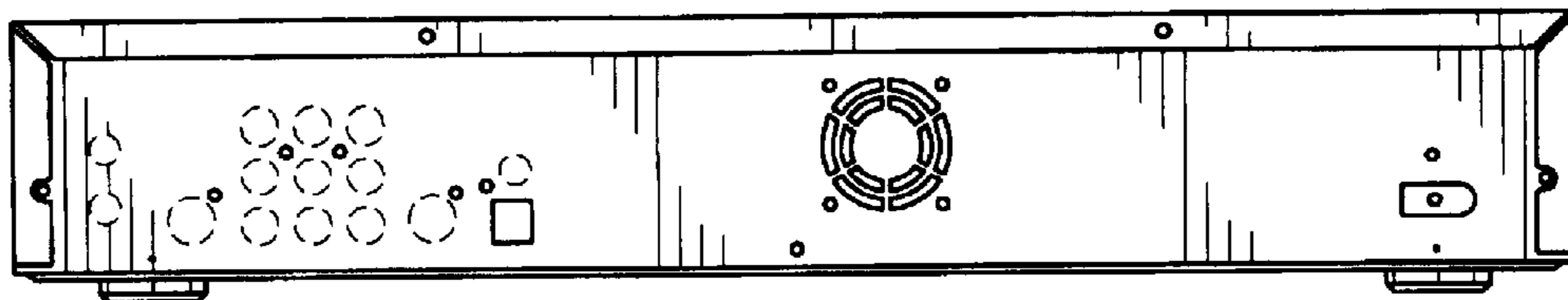


FIG.4

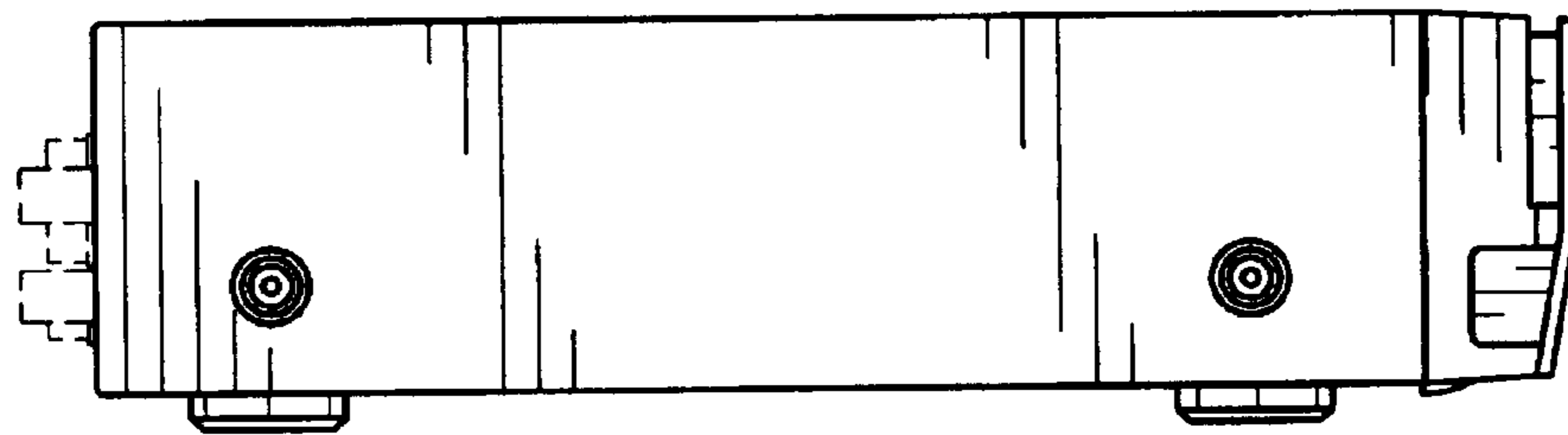


FIG.5

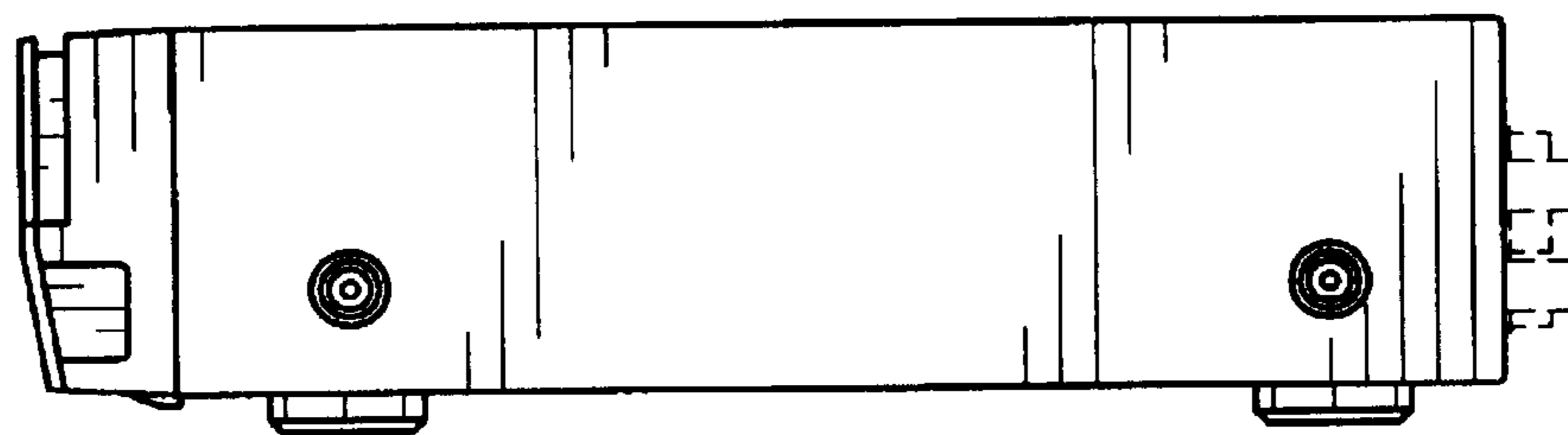


FIG. 6

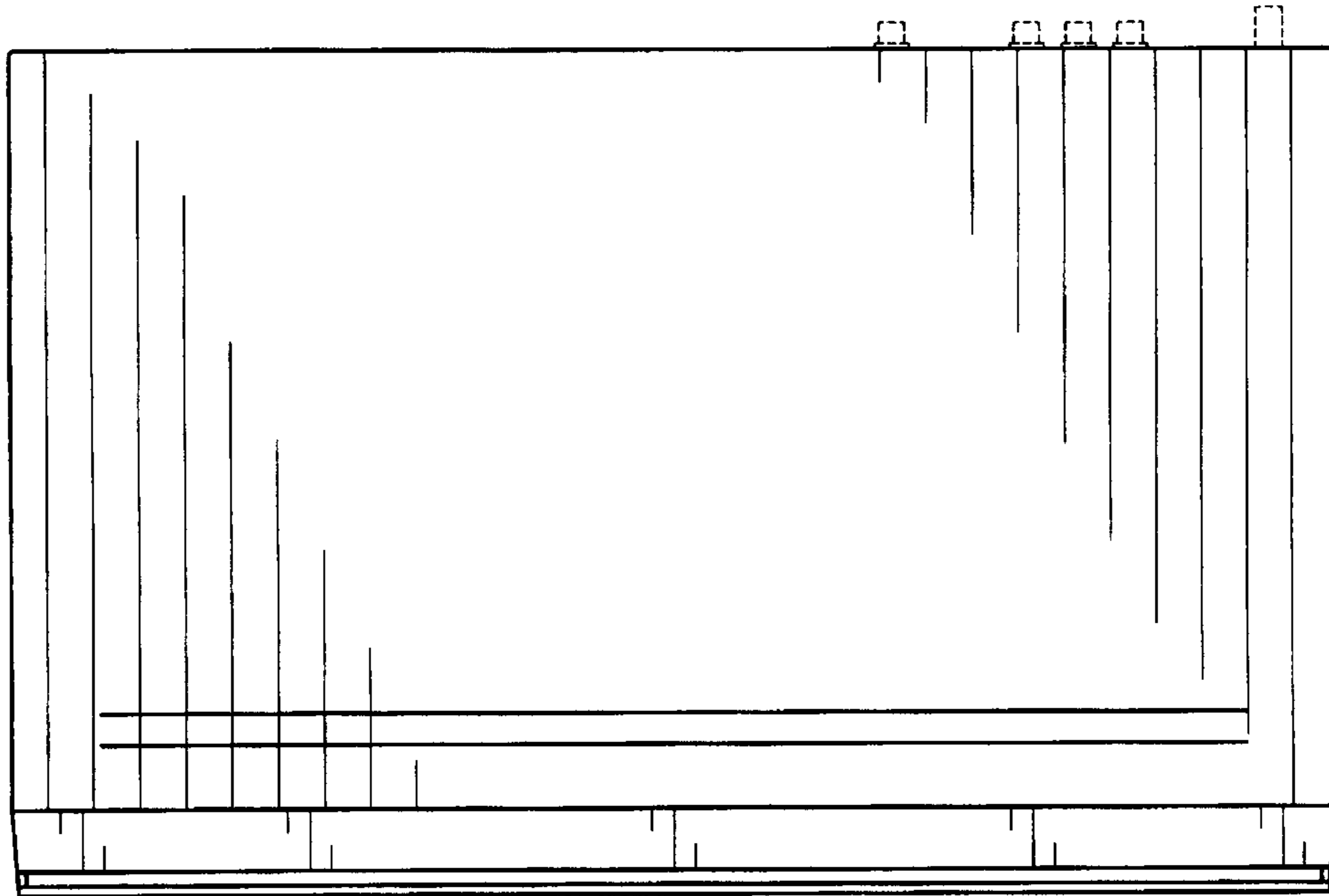


FIG. 7

