



US00D512034S

(12) **United States Design Patent**
Peng

(10) **Patent No.:** **US D512,034 S**
(45) **Date of Patent:** **** Nov. 29, 2005**

- (54) **DISPLAY WITH DVD PLAYER**
- (75) **Inventor:** **Juen-Tien Peng, Chung Li (TW)**
- (73) **Assignee:** **Action Electronics Co., Ltd., Chung Li (TW)**
- (**) **Term:** **14 Years**
- (21) **Appl. No.:** **29/200,444**
- (22) **Filed:** **Mar. 1, 2004**
- (51) **LOC (8) Cl.** **14-03**
- (52) **U.S. Cl.** **D14/129**
- (58) **Field of Search** **D14/125-134, D14/239, 371, 374-376; 312/7.2; 348/836, 838, 180, 184, 325, 739; 341/12; 248/917-924, 465; 345/104, 133, 156, 168, 87, 173; 720/605, 669, 600, 655; 369/99, 197; 455/344-347**

- D494,149 S * 8/2004 Shih D14/134
- D502,153 S * 2/2005 Peng D14/126
- D502,154 S * 2/2005 Peng D14/126

OTHER PUBLICATIONS

Frontgate—Gentlemen’s Domain, p. 9, 2002.*

* cited by examiner

Primary Examiner—Raphael Barkai

(74) *Attorney, Agent, or Firm*—Rosenberg, Klein & Lee

(57) **CLAIM**

The ornamental design of a display with DVD player, as shown and described.

DESCRIPTION

FIG. 1 is a perspective view of display with DVD player showing my design.

FIG. 2 is a front elevational view thereof;

FIG. 3 is rear elevational view thereof.

FIG. 4 is left elevational view thereof;

FIG. 5 is a right elevational view thereof;

FIG. 6 is a top view thereof; and,

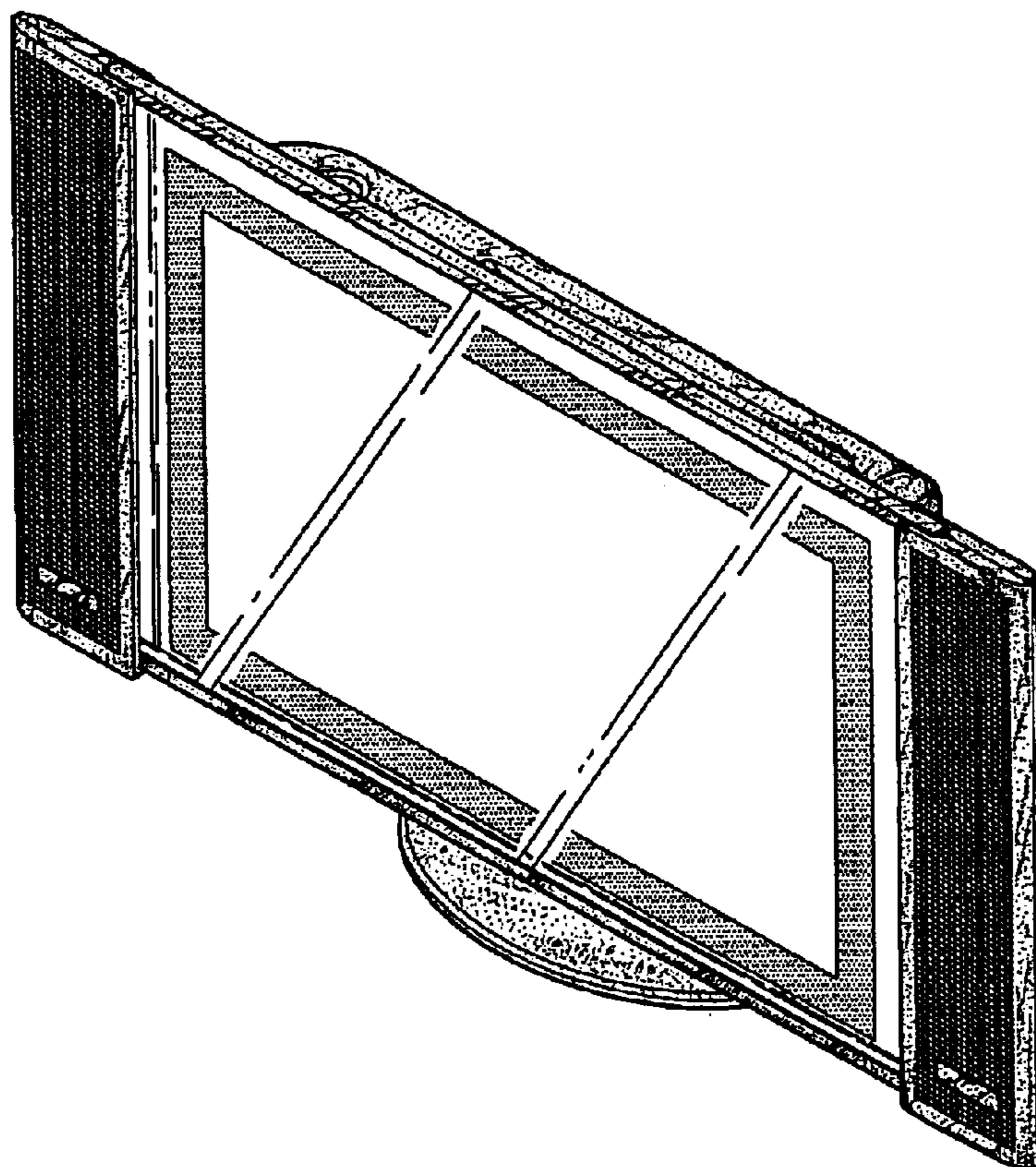
FIG. 7 is a bottom view thereof.

(56) **References Cited**

U.S. PATENT DOCUMENTS

- D439,224 S * 3/2001 Kita D14/126
- D454,846 S * 3/2002 Goto D14/129
- D479,209 S * 9/2003 Teng et al. D14/126
- D492,273 S * 6/2004 Kawano D14/129
- D494,148 S * 8/2004 Huang et al. D14/126

1 Claim, 4 Drawing Sheets



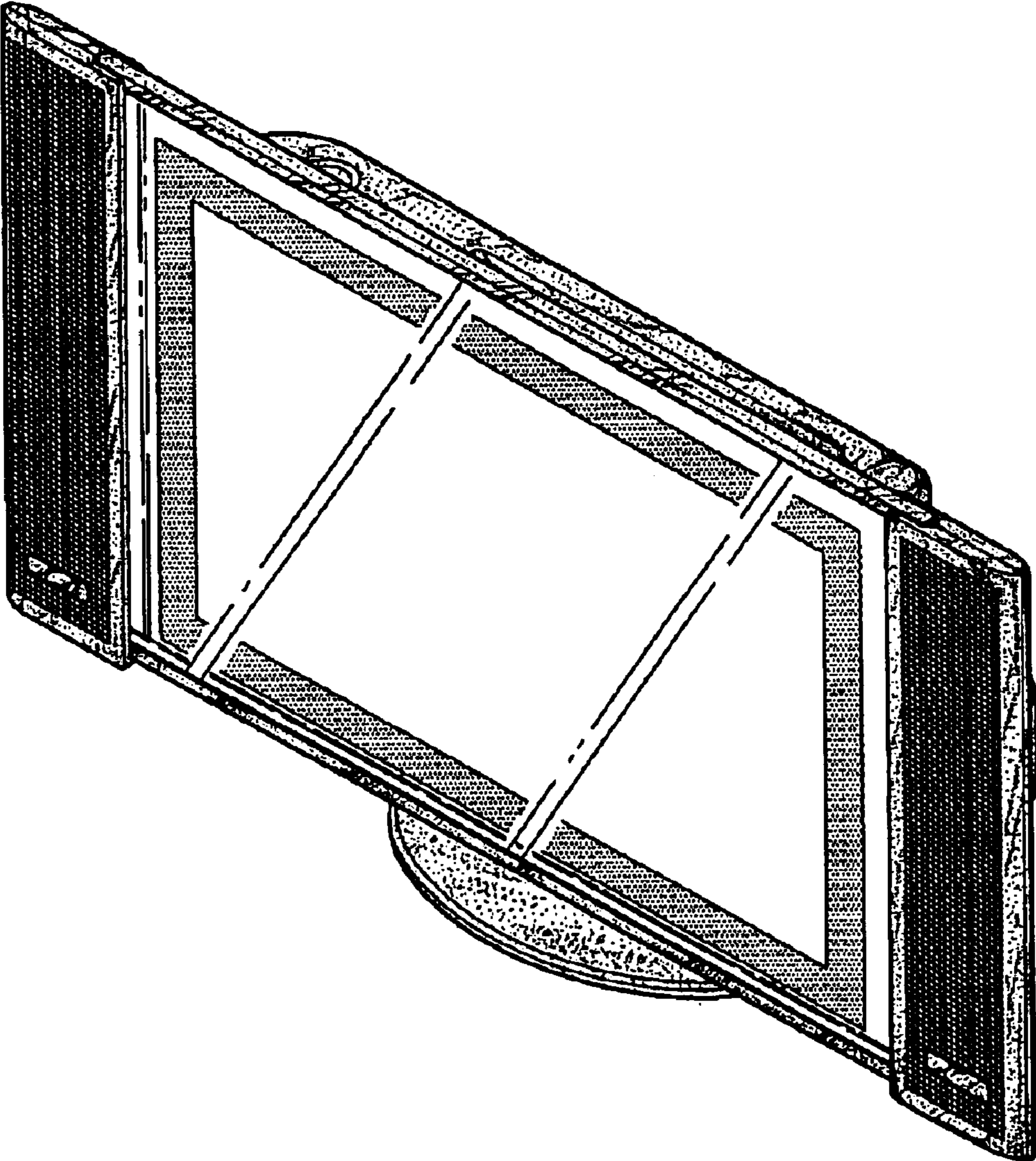


FIG. 1

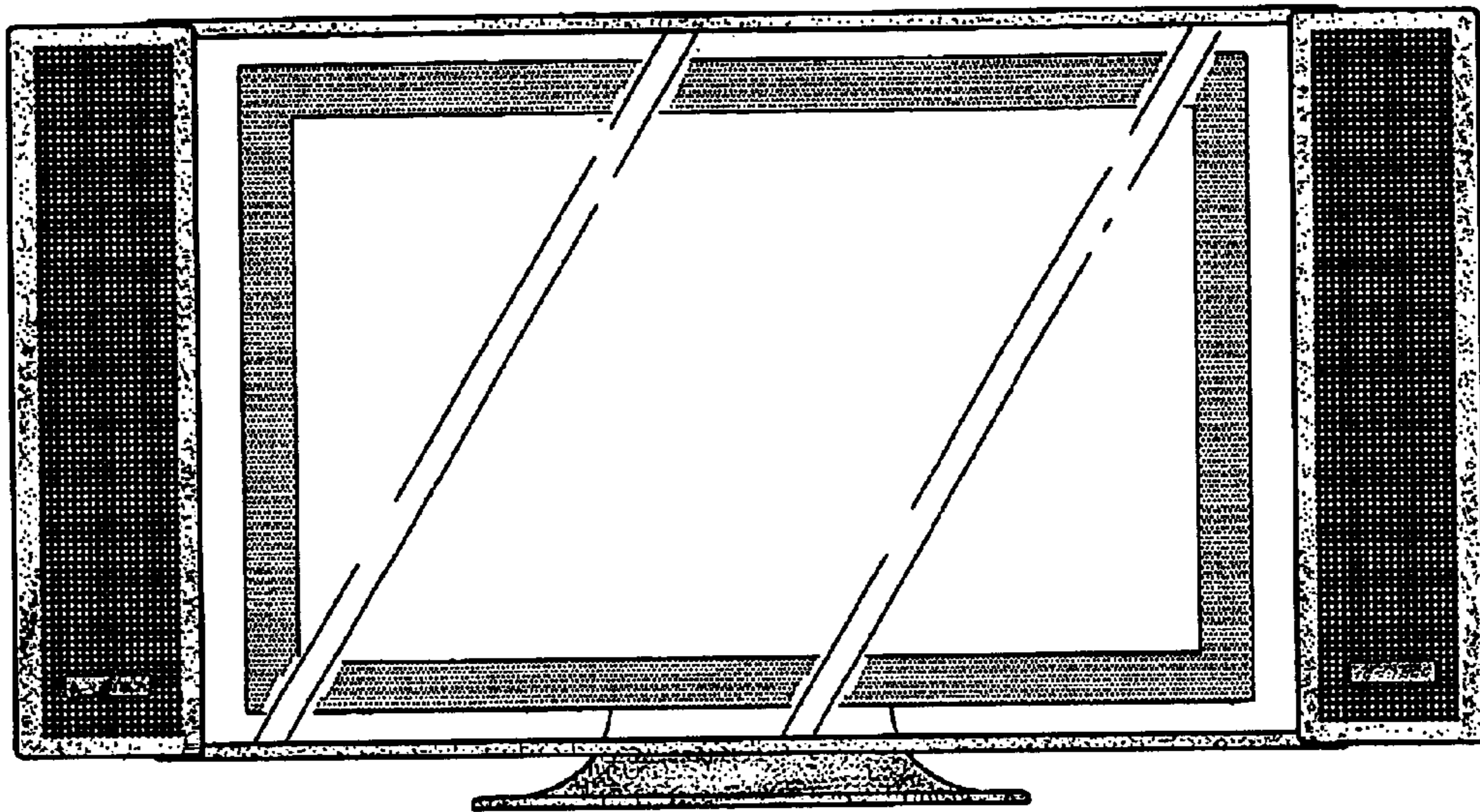


FIG. 2

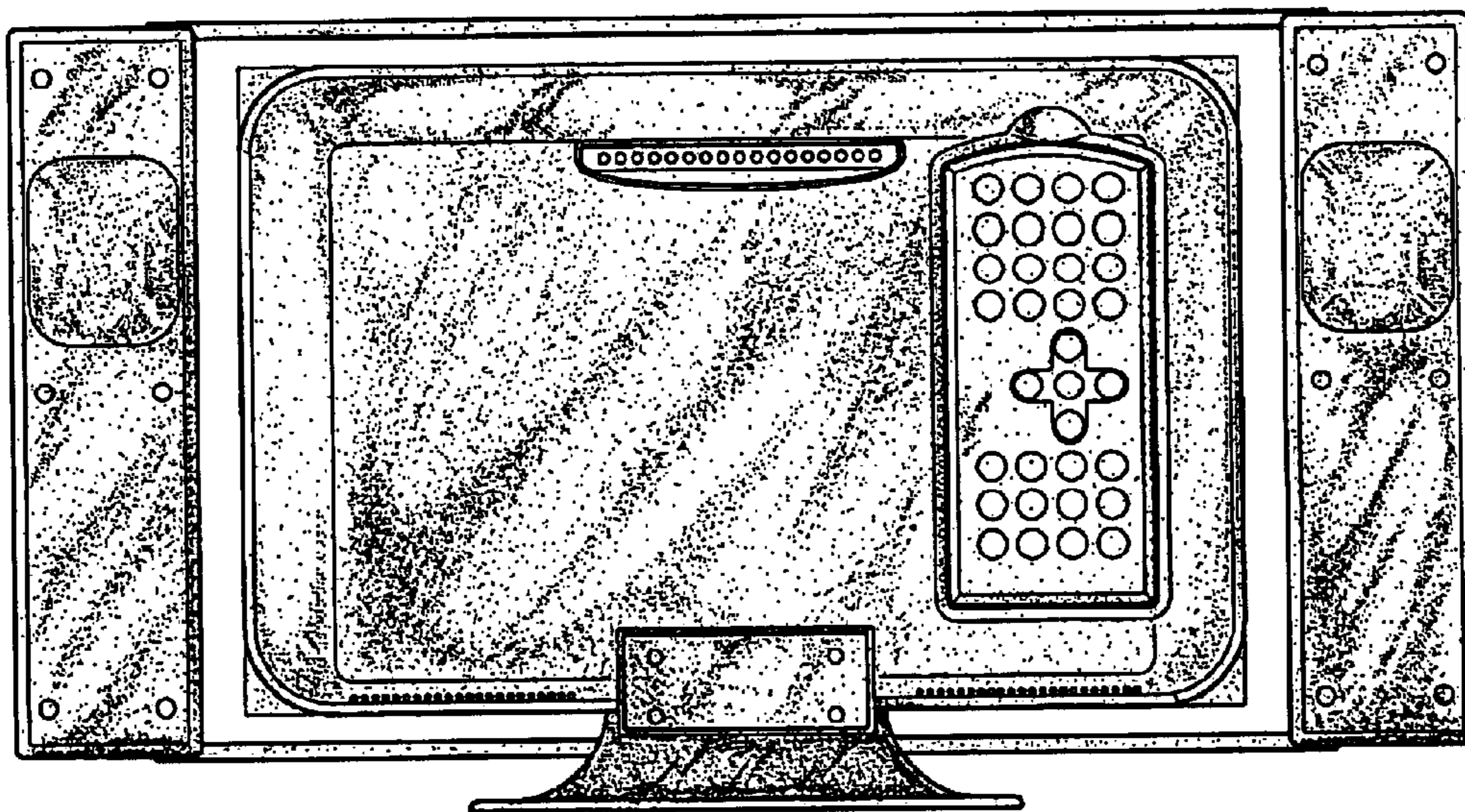


FIG. 3

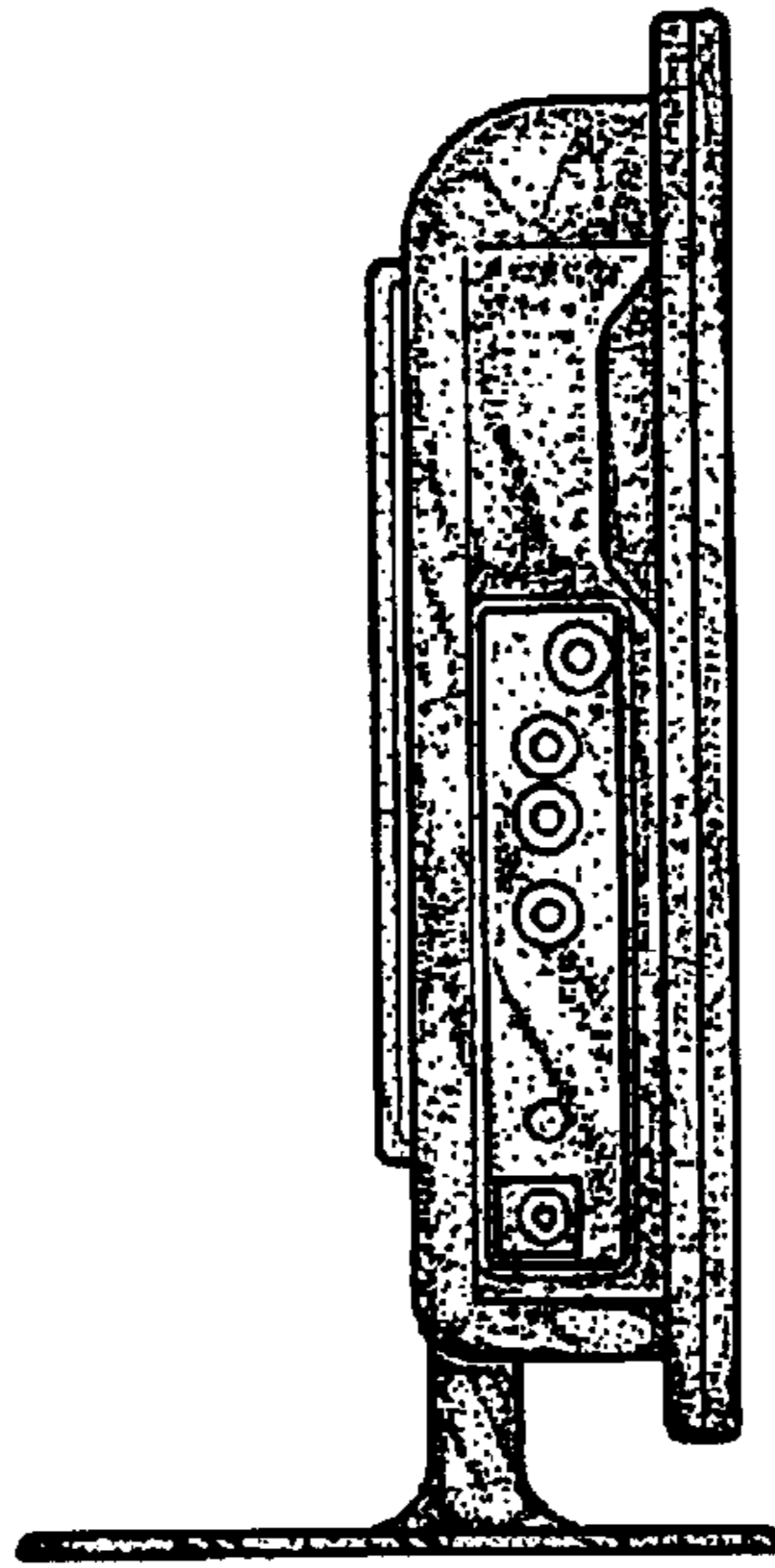


FIG. 4

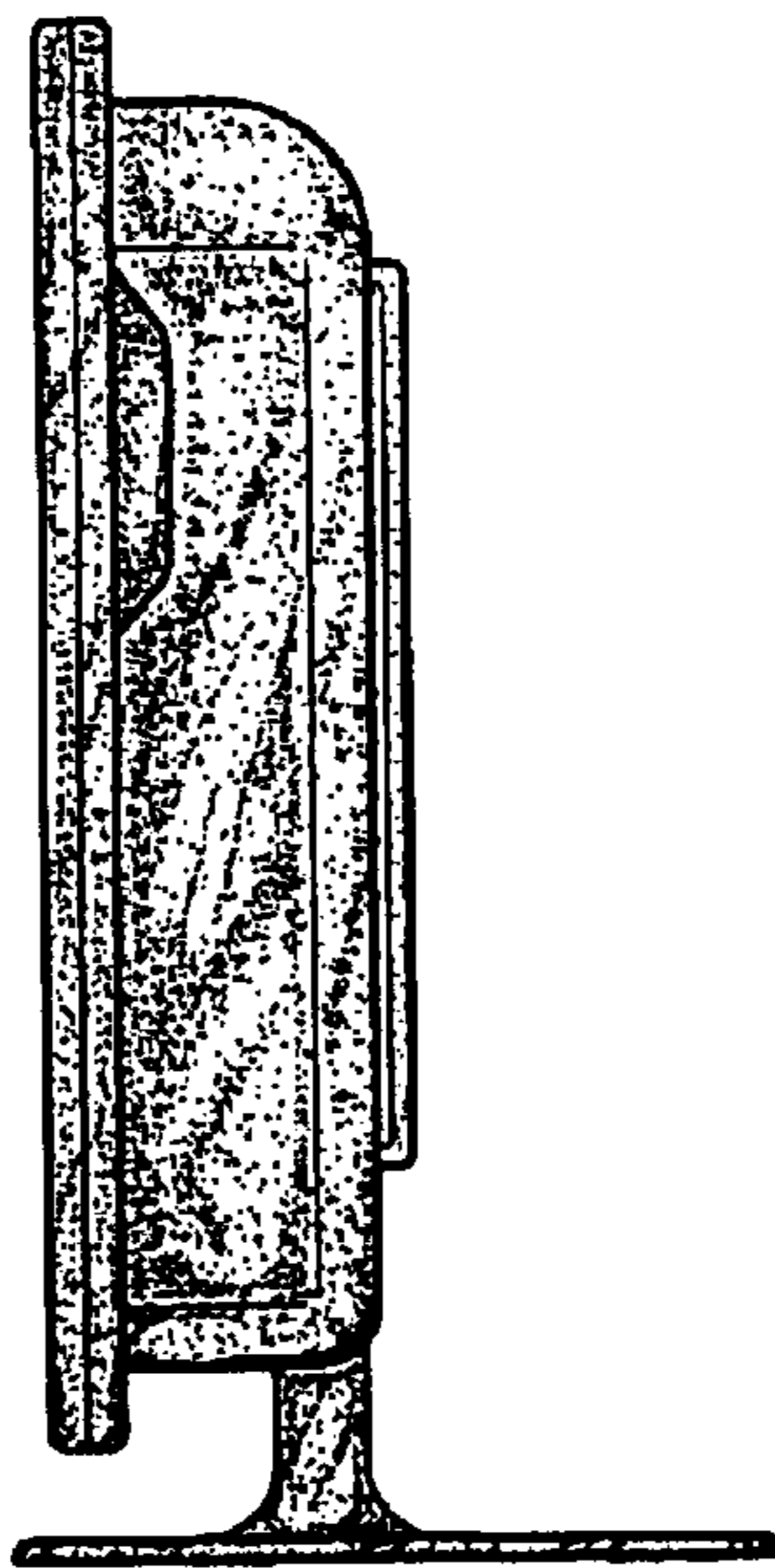


FIG. 5

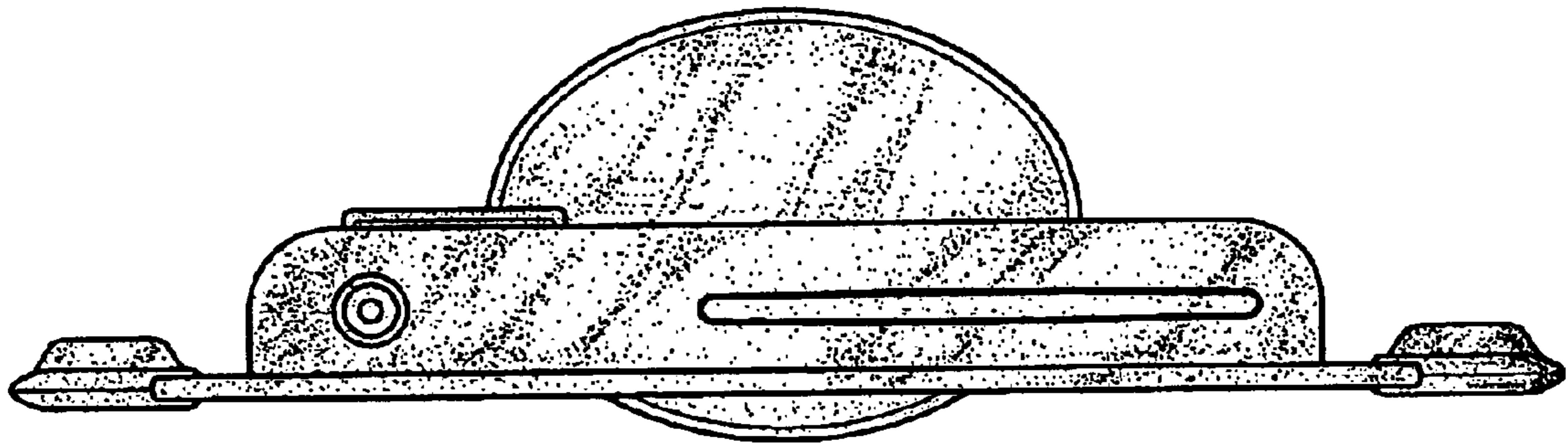


FIG. 6

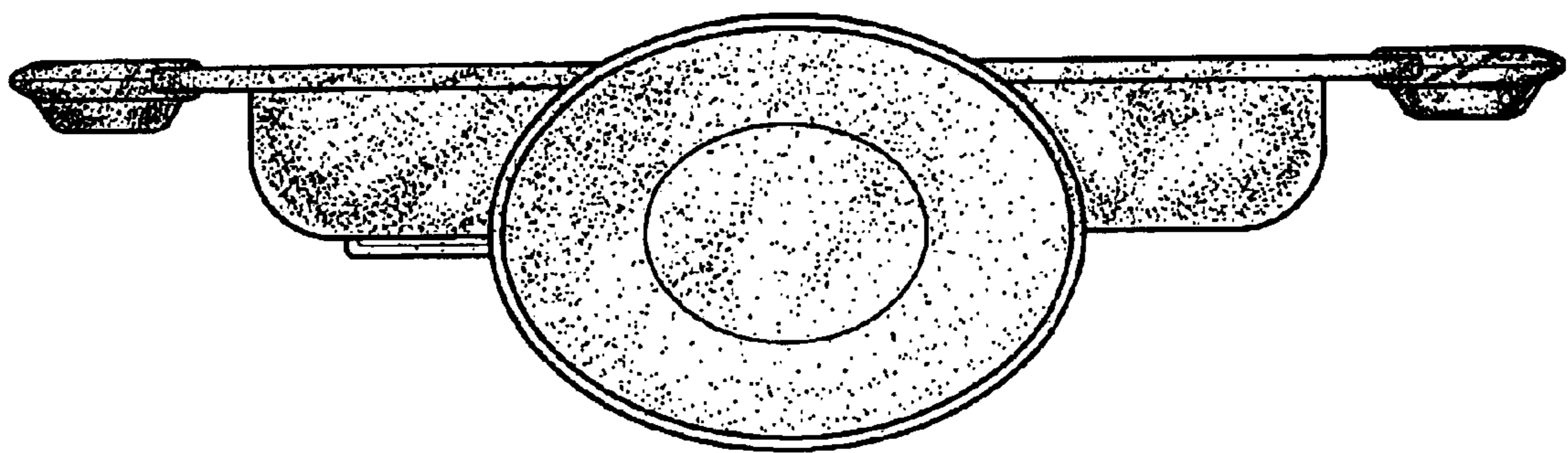


FIG. 7