



US00D512031S

(12) **United States Design Patent** (10) **Patent No.:** **US D512,031 S**
Ishida (45) **Date of Patent:** **** Nov. 29, 2005**

- (54) **LIGHT EMITTING DIODE**
- (75) **Inventor:** **Masashi Ishida, Naka-gun (JP)**
- (73) **Assignee:** **Nichia Corporation, Anan (JP)**
- (**) **Term:** **14 Years**
- (21) **Appl. No.:** **29/224,289**
- (22) **Filed:** **Mar. 1, 2005**

D490,784 S 6/2004 Ishida
 D491,538 S 6/2004 Ishida
 2002/0149314 A1 10/2002 Takahashi et al.

FOREIGN PATENT DOCUMENTS

JP	D984224-1 S	10/1997
JP	D1077515 S	7/2000
JP	D1170087 S	4/2003
JP	D1170881 S	4/2003
JP	D1171195 S	4/2003
JP	D1171196 S	4/2003
JP	D1171709 S	4/2003
JP	D1171710 S	4/2003
KR	30-0294490 S	3/2002
KR	30-0294490-1 S	3/2002

Related U.S. Application Data

- (62) Division of application No. 29/182,998, filed on Jun. 5, 2003, now Pat. No. Des. 502,449.

(30) **Foreign Application Priority Data**

Dec. 6, 2002 (JP) 2002-033989

- (51) **LOC (8) Cl.** **13-03**
- (52) **U.S. Cl.** **D13/180**
- (58) **Field of Search** D13/180, 182;
257/76, 79, 88, 89, 93, 99, 434, 676, 678,
687, 690, 698, 787; 313/498, 499, 500;
361/760, 820; 362/226, 241, 249, 250,
307, 555, 800

(56) **References Cited**

U.S. PATENT DOCUMENTS

D482,337 S	11/2003	Kamada
D489,677 S	5/2004	Ishida
D489,690 S	5/2004	Ishida
D489,691 S	5/2004	Ishida
D489,692 S	5/2004	Ishida
D489,693 S	5/2004	Ishida
D490,062 S	5/2004	Ishida
D490,384 S	5/2004	Ishida
D490,385 S	5/2004	Ishida
D490,386 S	5/2004	Ishida
D490,783 S	6/2004	Ishida

Primary Examiner—Prabhakar Deshmukh
Assistant Examiner—Selina Sikder
 (74) *Attorney, Agent, or Firm*—Smith Patent Office

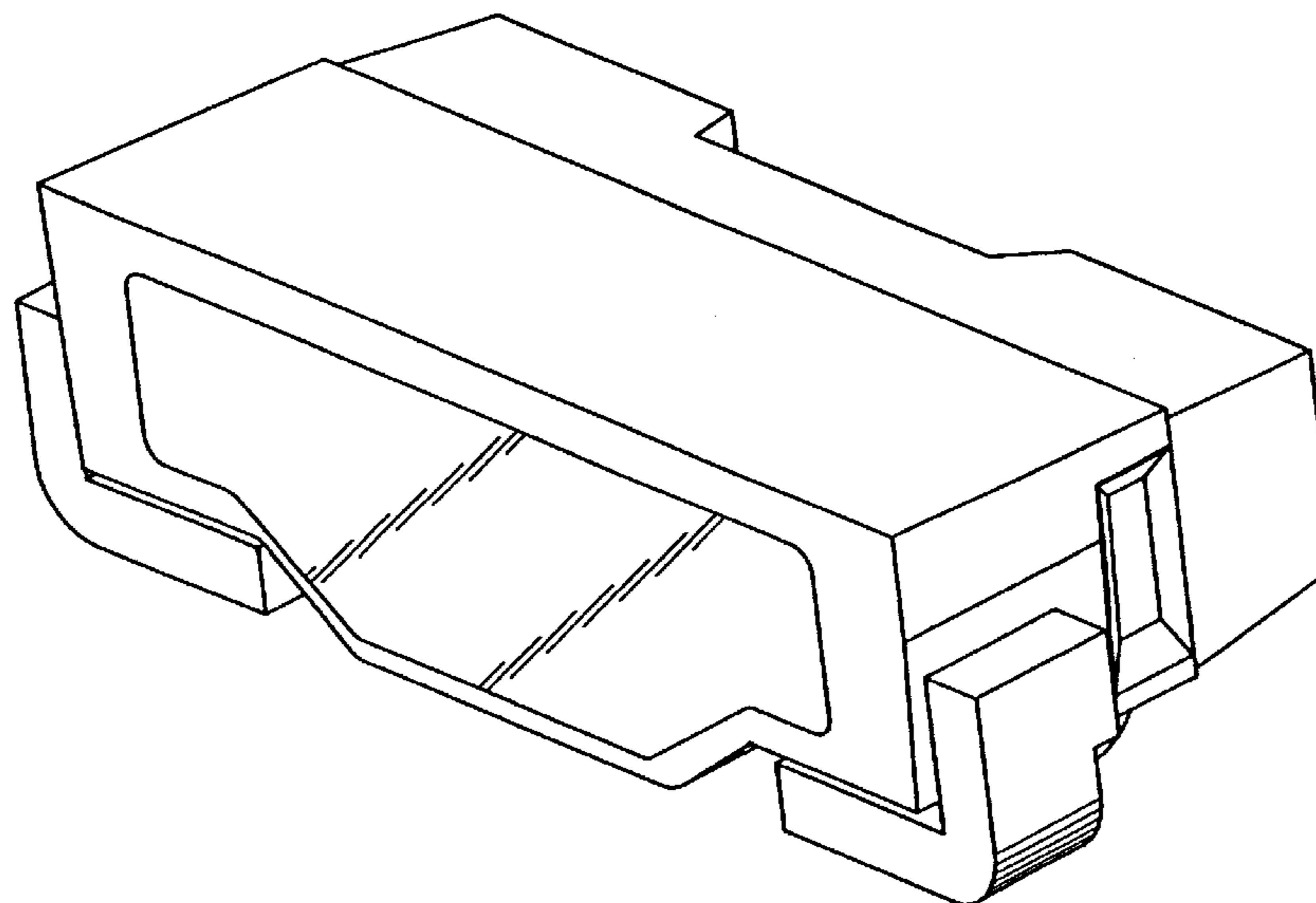
(57) **CLAIM**

I claim the ornamental design for the light emitting diode, as shown and described.

DESCRIPTION

FIG. 1 is a perspective view of a light emitting diode showing my new design;
 FIG. 2 is a plan view of the light emitting diode according to the embodiment of FIG. 1;
 FIG. 3 is a left view of the light emitting diode according to the embodiment of FIG. 1;
 FIG. 4 is a front elevational view of the light emitting diode according to the embodiment of FIG. 1;
 FIG. 5 is a right view of the light emitting diode according to the embodiment of FIG. 1;
 FIG. 6 is a bottom plan view of the light emitting diode according to the embodiment of FIG. 1; and,
 FIG. 7 is a rear elevational view of the light emitting diode according to the embodiment of FIG. 1.

1 Claim, 2 Drawing Sheets



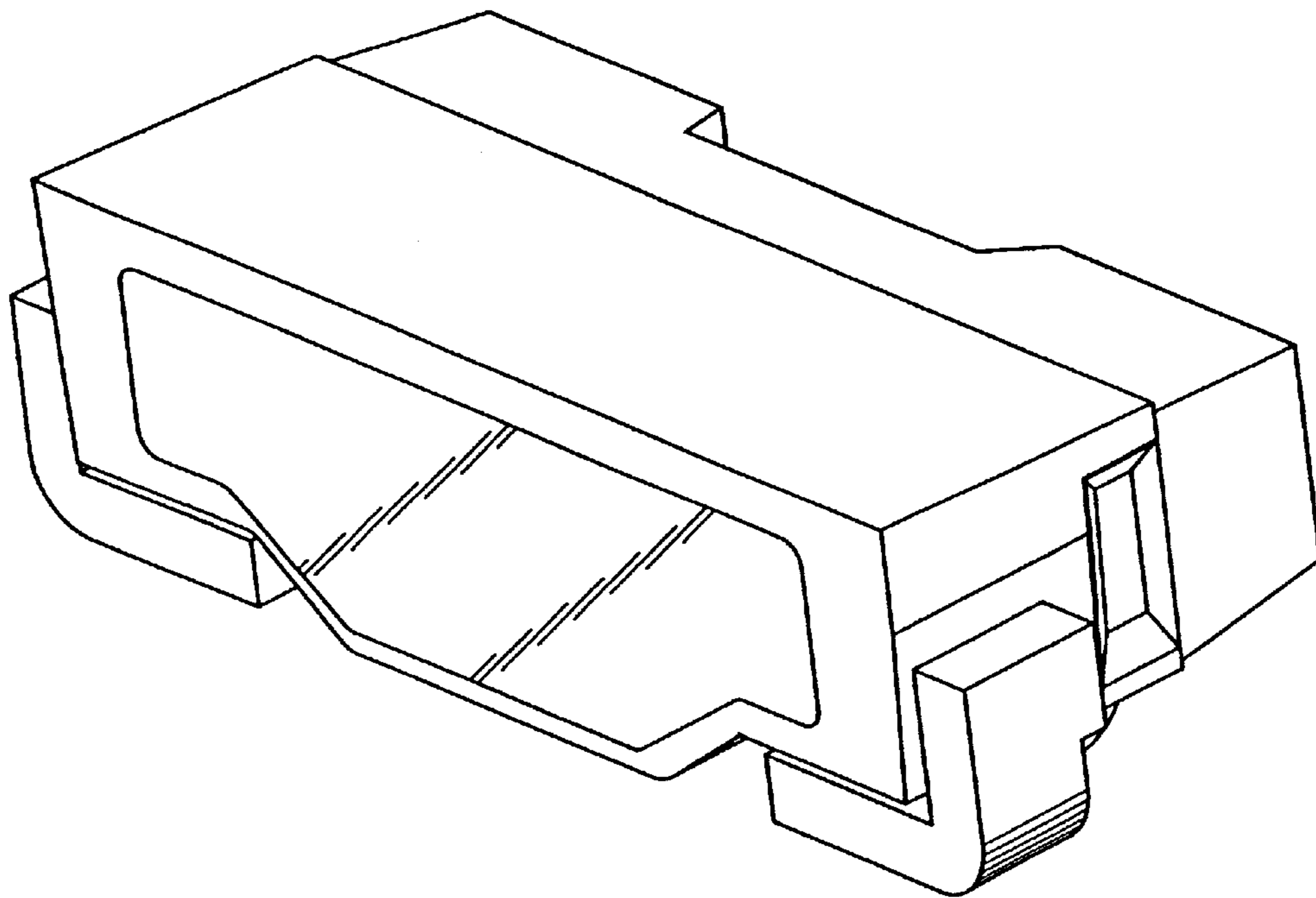


FIG. 1

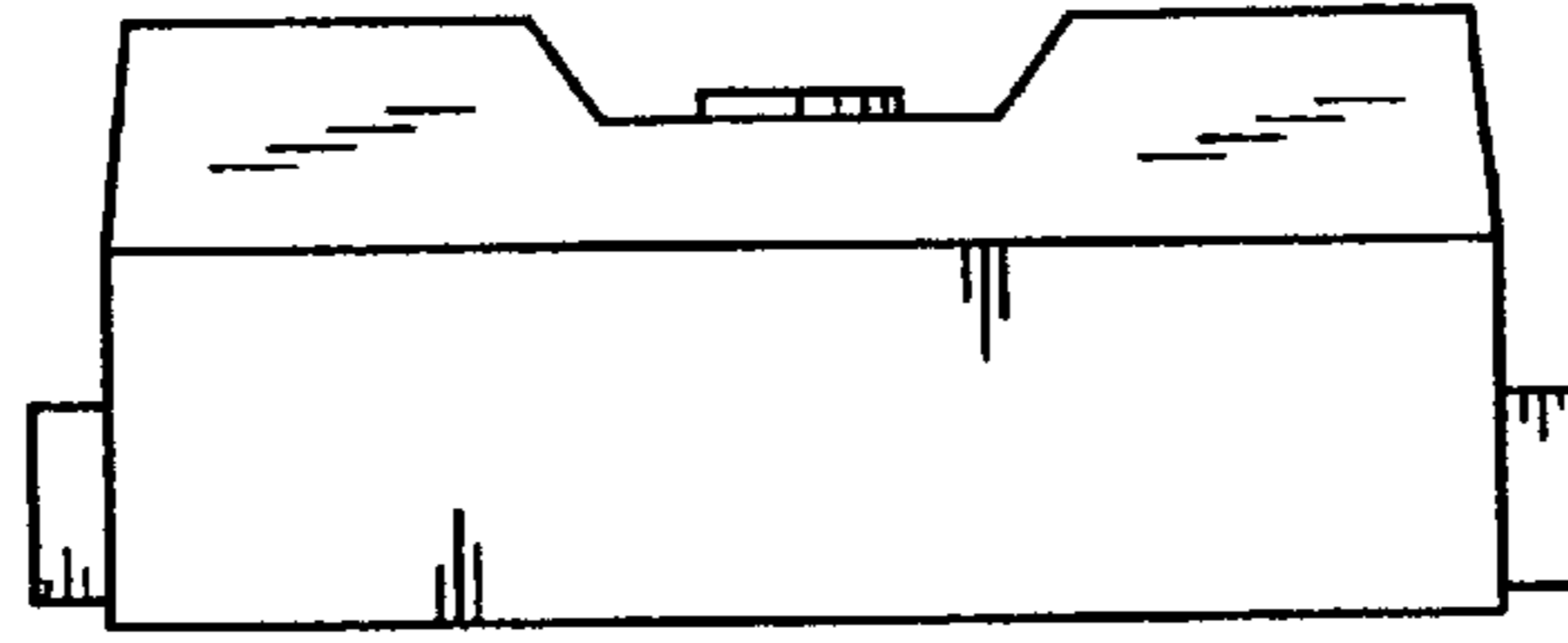


FIG. 2

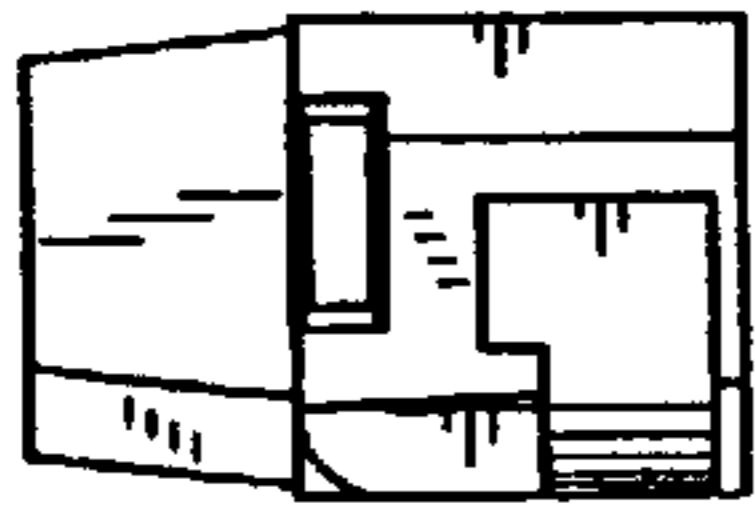


FIG. 3

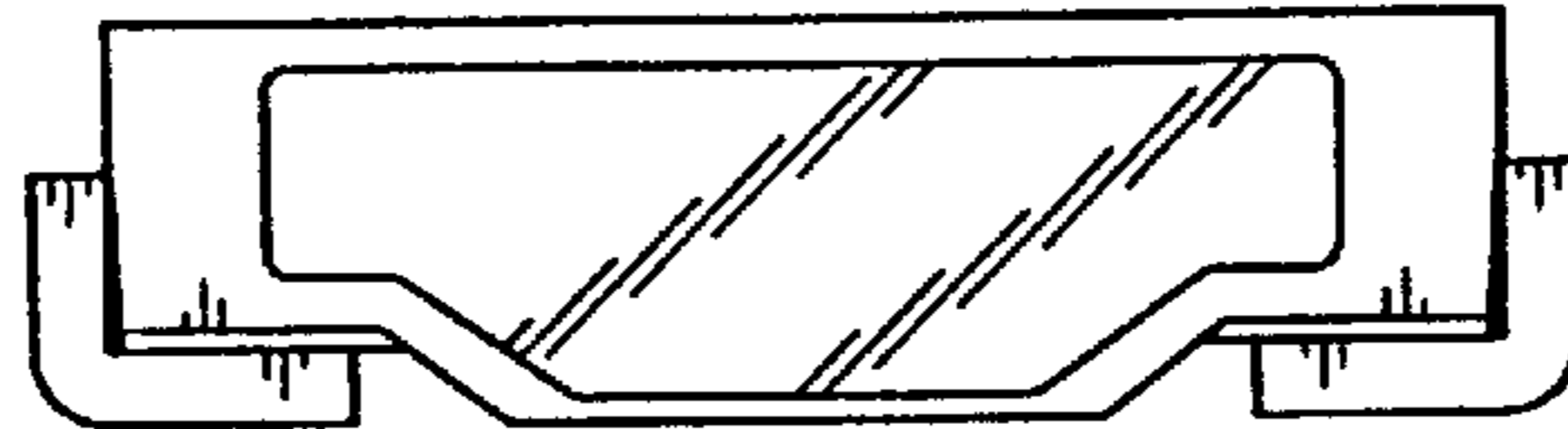


FIG. 4

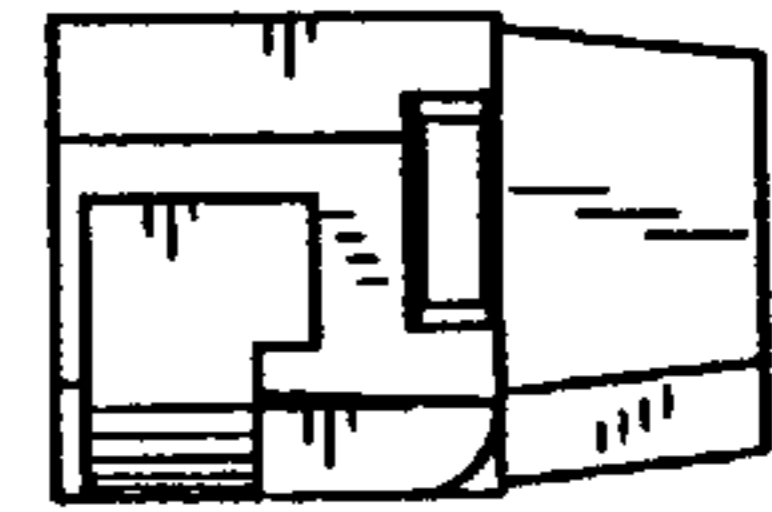


FIG. 5

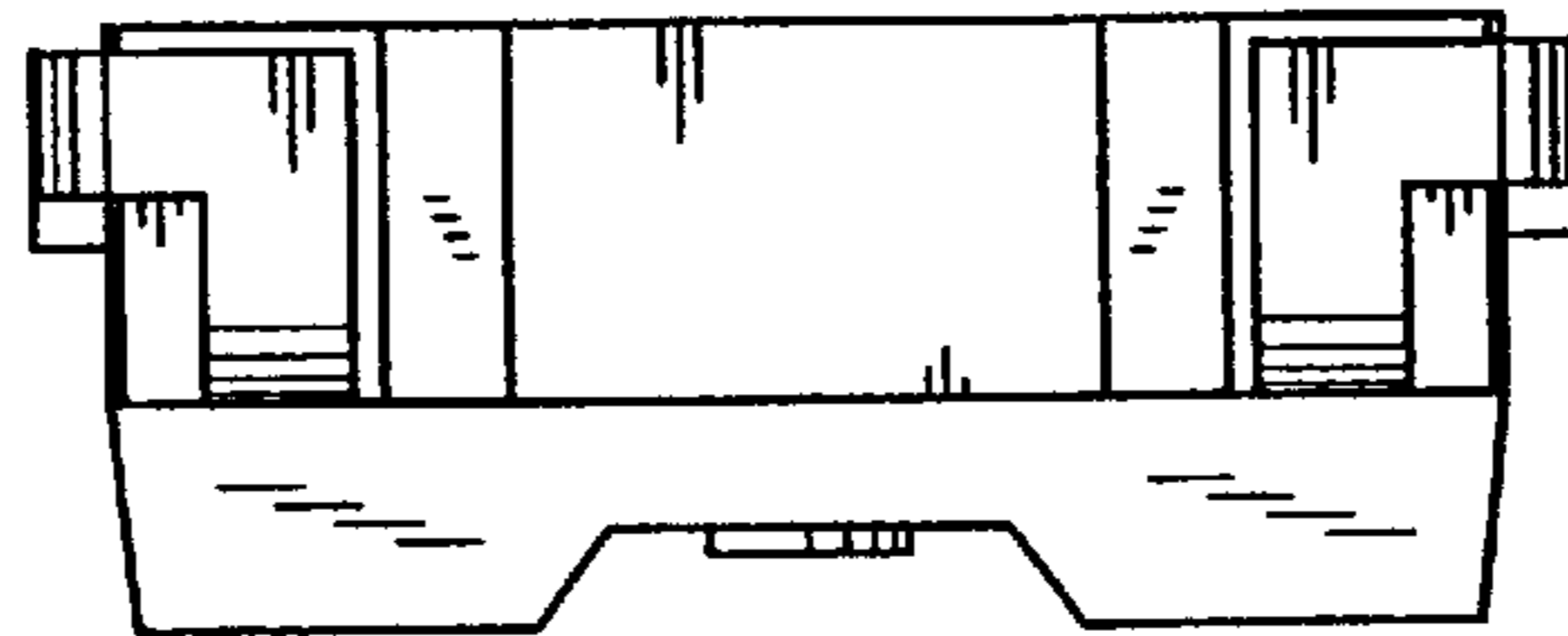


FIG. 6

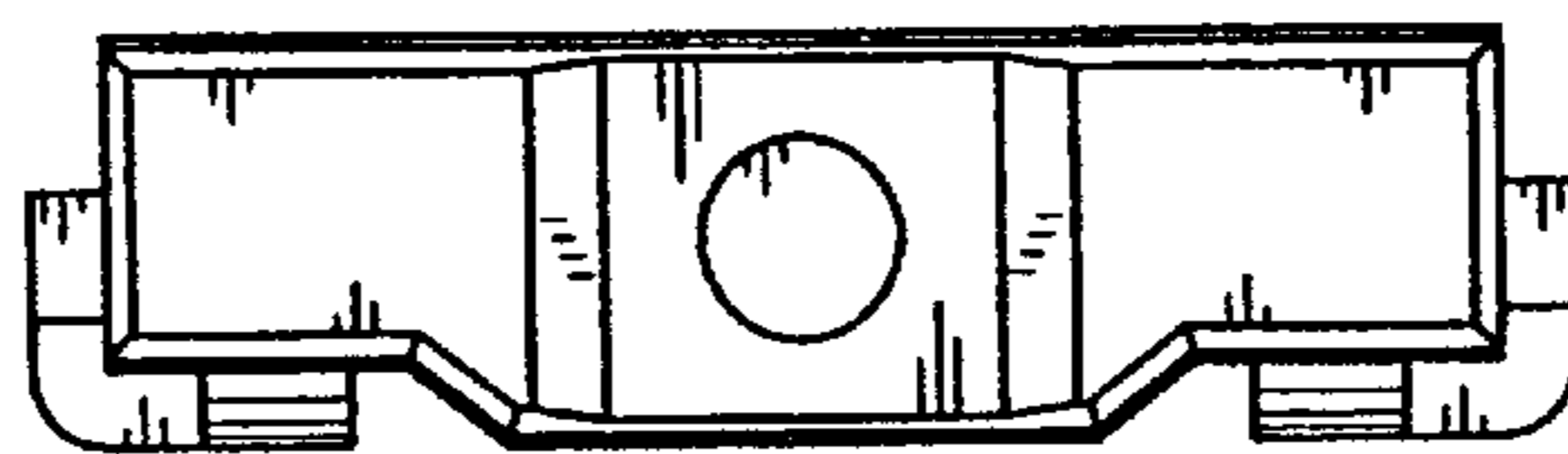


FIG. 7