



US00D512023S

(12) **United States Design Patent**  
**Bachmann**

(10) **Patent No.:** **US D512,023 S**

(45) **Date of Patent:** **\*\* Nov. 29, 2005**

(54) **CABLE CONNECTOR**

(75) Inventor: **Werner Bachmann**, Rankweil (AT)

(73) Assignee: **Neutrik Aktiengesellschaft**, Schaan (LI)

(\*\*) Term: **14 Years**

(21) Appl. No.: **29/217,500**

(22) Filed: **Nov. 18, 2004**

**Related U.S. Application Data**

(62) Division of application No. 29/157,444, filed on Mar. 19, 2002, now Pat. No. Des. 501,826.

(30) **Foreign Application Priority Data**

Sep. 24, 2001	(AT)	.....	DM/057 379
Jan. 16, 2002	(AT)	.....	MU-204/2002
Jan. 16, 2002	(AT)	.....	MU-203/2002

(51) **LOC (8) Cl.** ..... **13-03**

(52) **U.S. Cl.** ..... **D13/149**

(58) **Field of Search** ..... D13/133, 147,  
D13/149, 154, 156; D14/256; 439/578,  
583-584, 668-669, 675, 751, 843, 851

*Primary Examiner*—Stella M. Reid

*Assistant Examiner*—Daniel Bui

(74) *Attorney, Agent, or Firm*—Neal L. Slifkin

(57) **CLAIM**

The ornamental design of an cable connector, as shown and described.

**DESCRIPTION**

FIG. 1 is a front elevation view of a cable connector, showing my new design;

FIG. 2 is a left side elevation view thereof;

FIG. 3 is a rear elevation view thereof;

FIG. 4 is a right side elevation view thereof;

FIG. 5 is a bottom plan view thereof, on an enlarged scale;

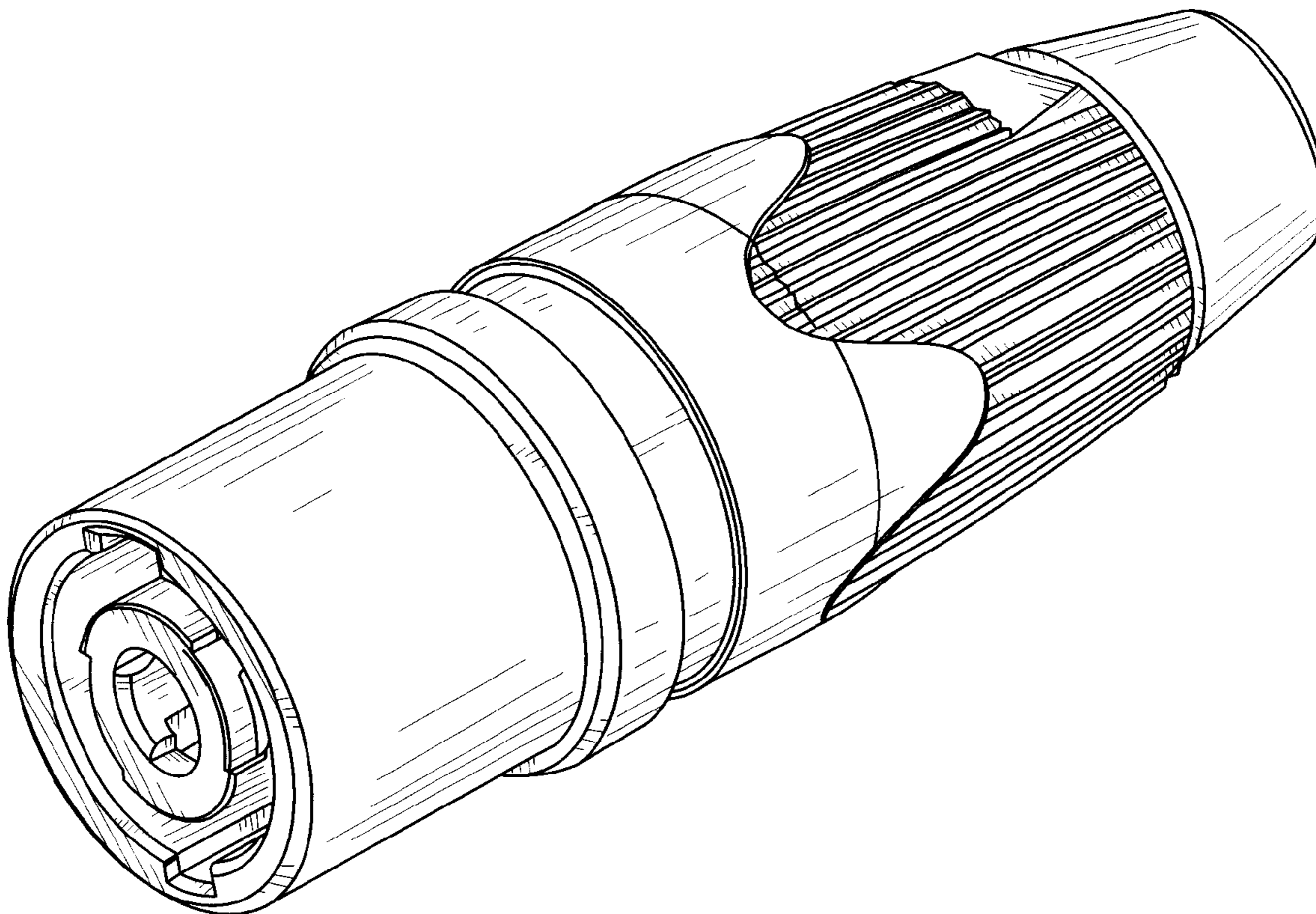
FIG. 6 is a top plan view thereof;

FIG. 7 is a perspective view thereof; and,

FIG. 8 is another perspective view thereof.

The electrical connector is formed in an ornamental shape which makes it attractive for use.

**1 Claim, 5 Drawing Sheets**



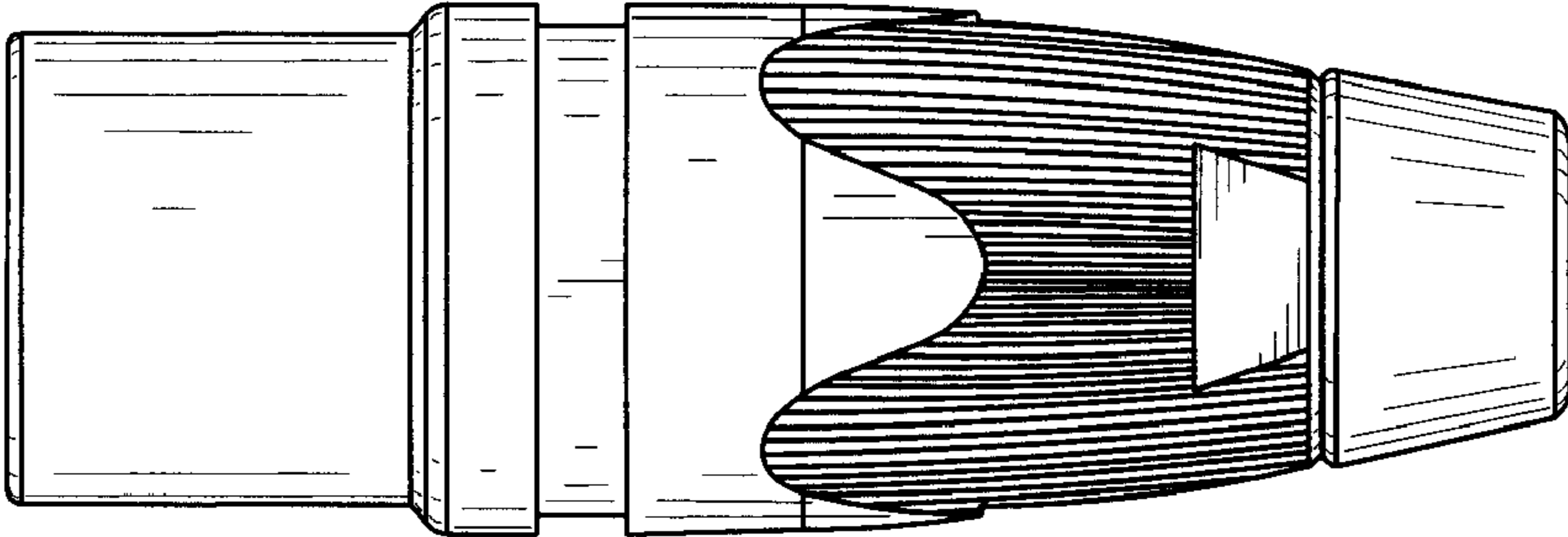


FIG. 2

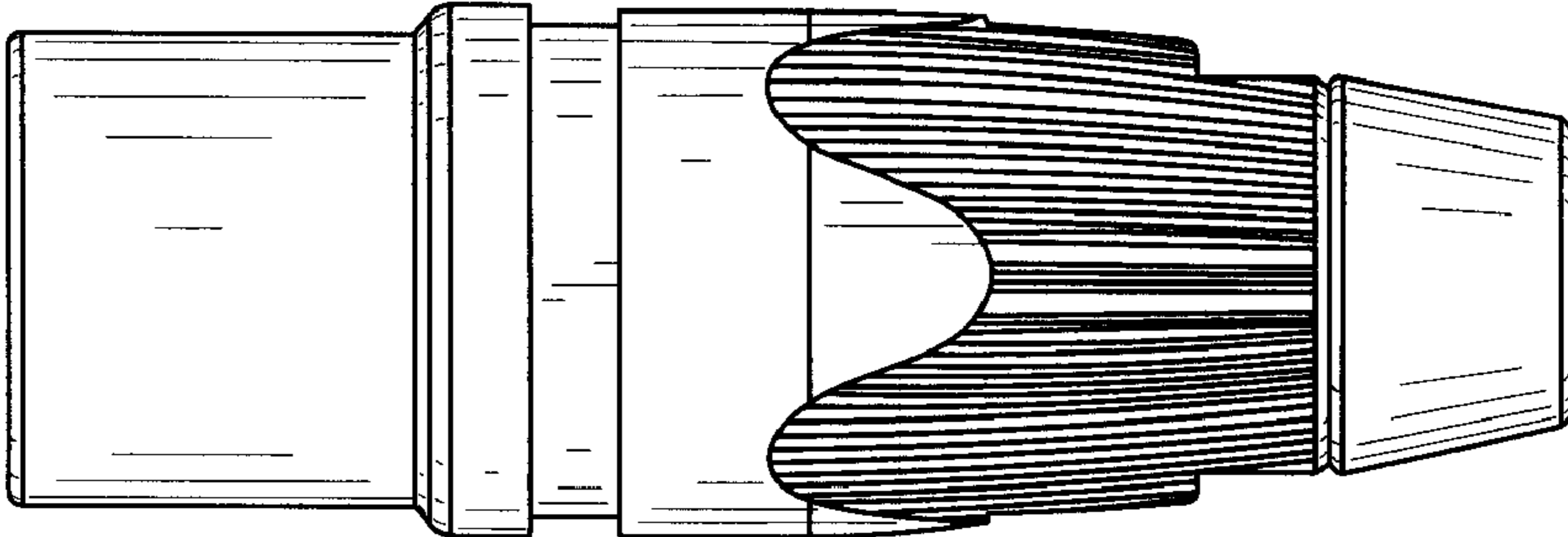


FIG. 1

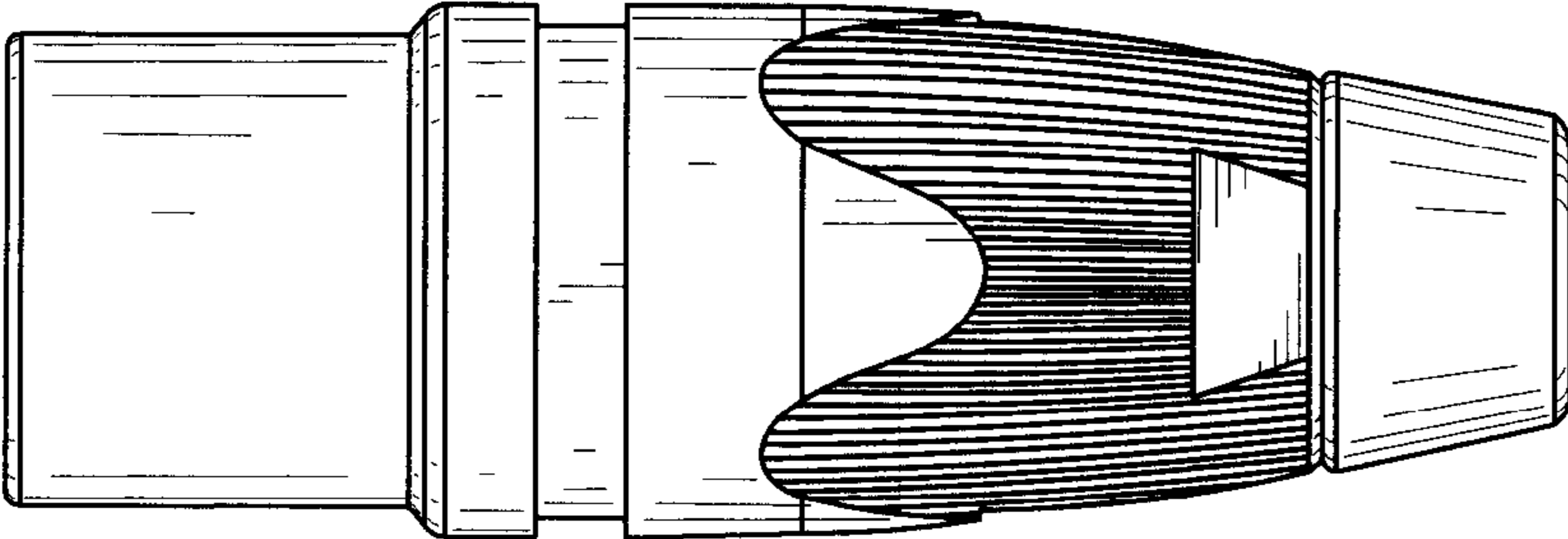


FIG. 4

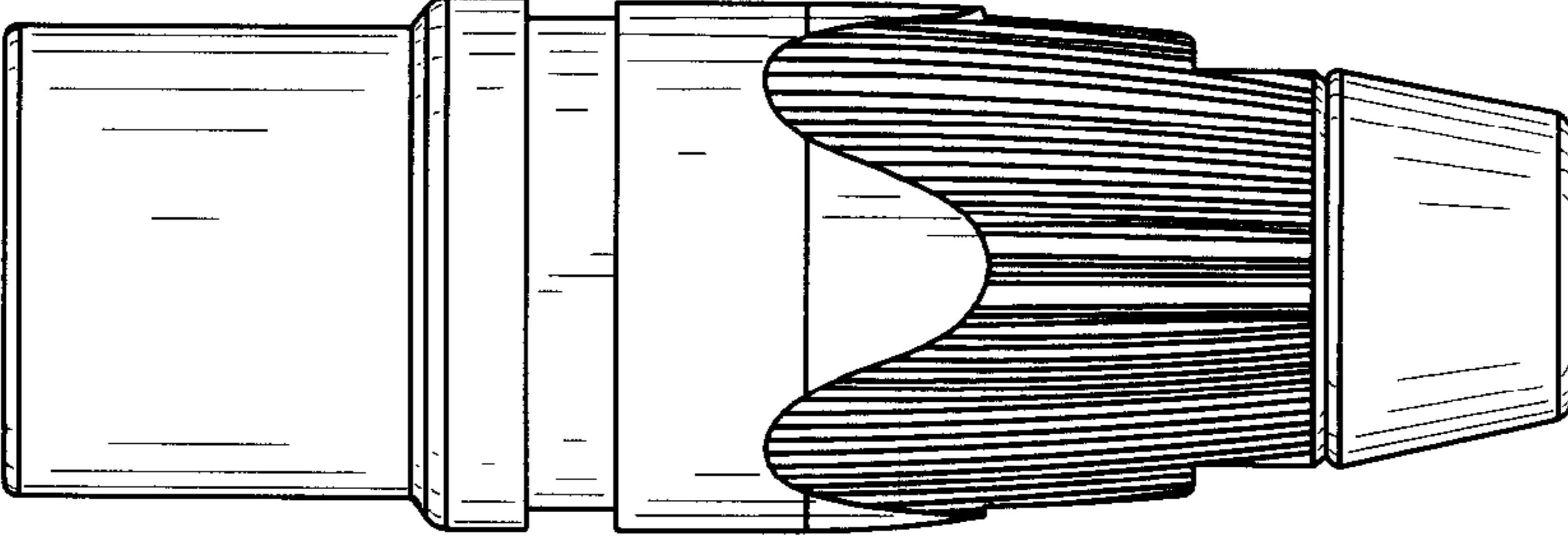


FIG. 3

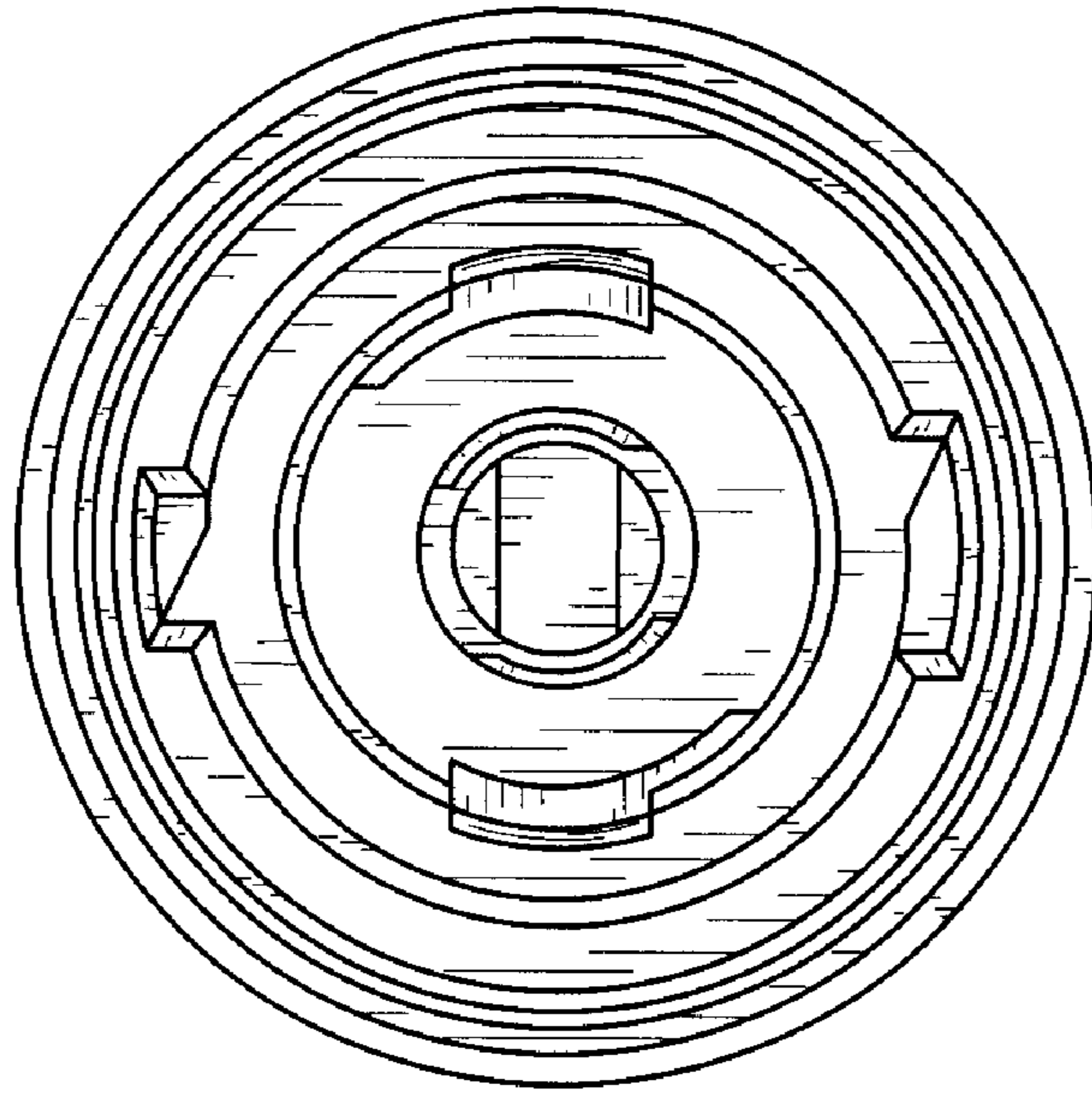


FIG. 6

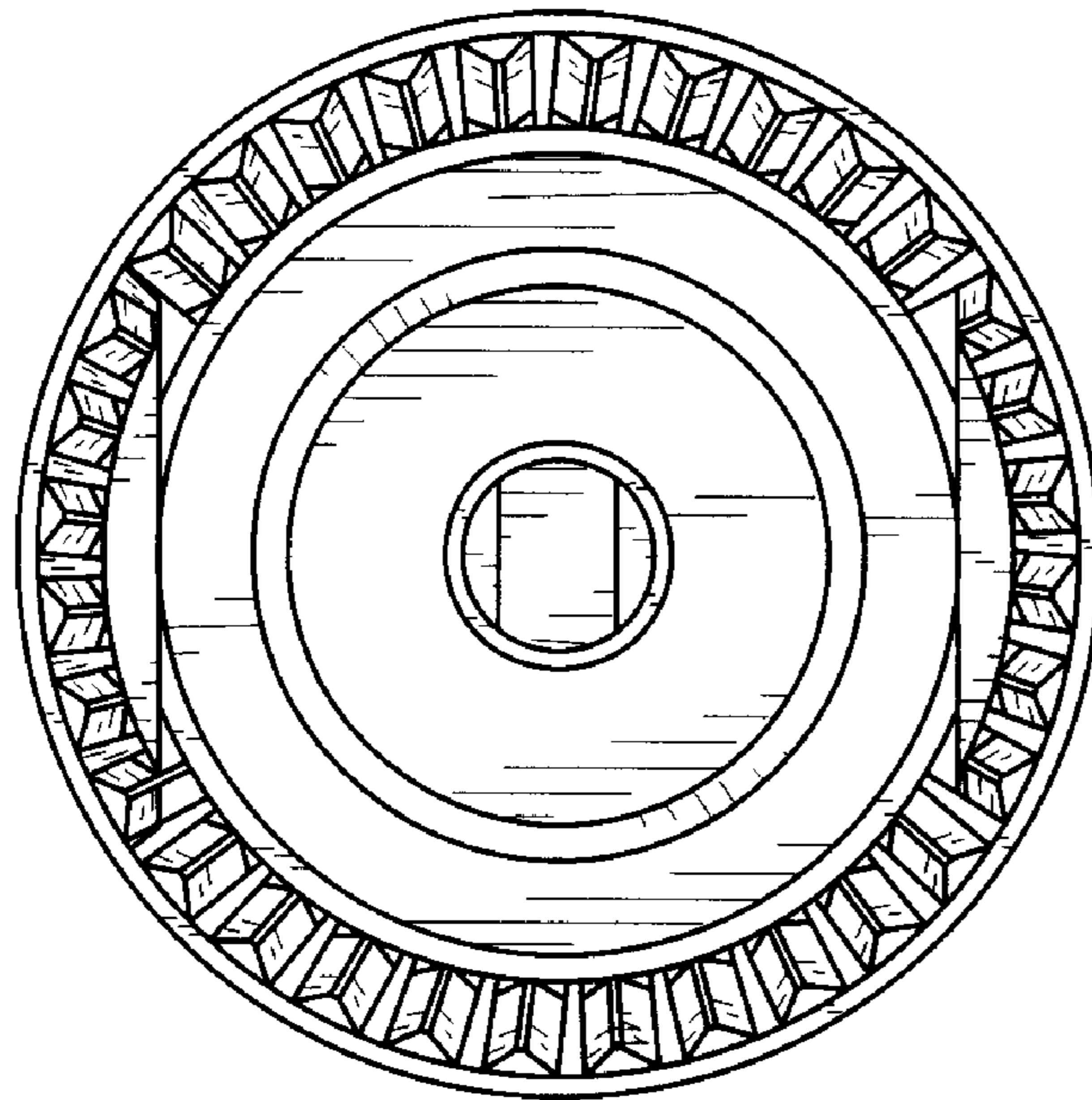


FIG. 5

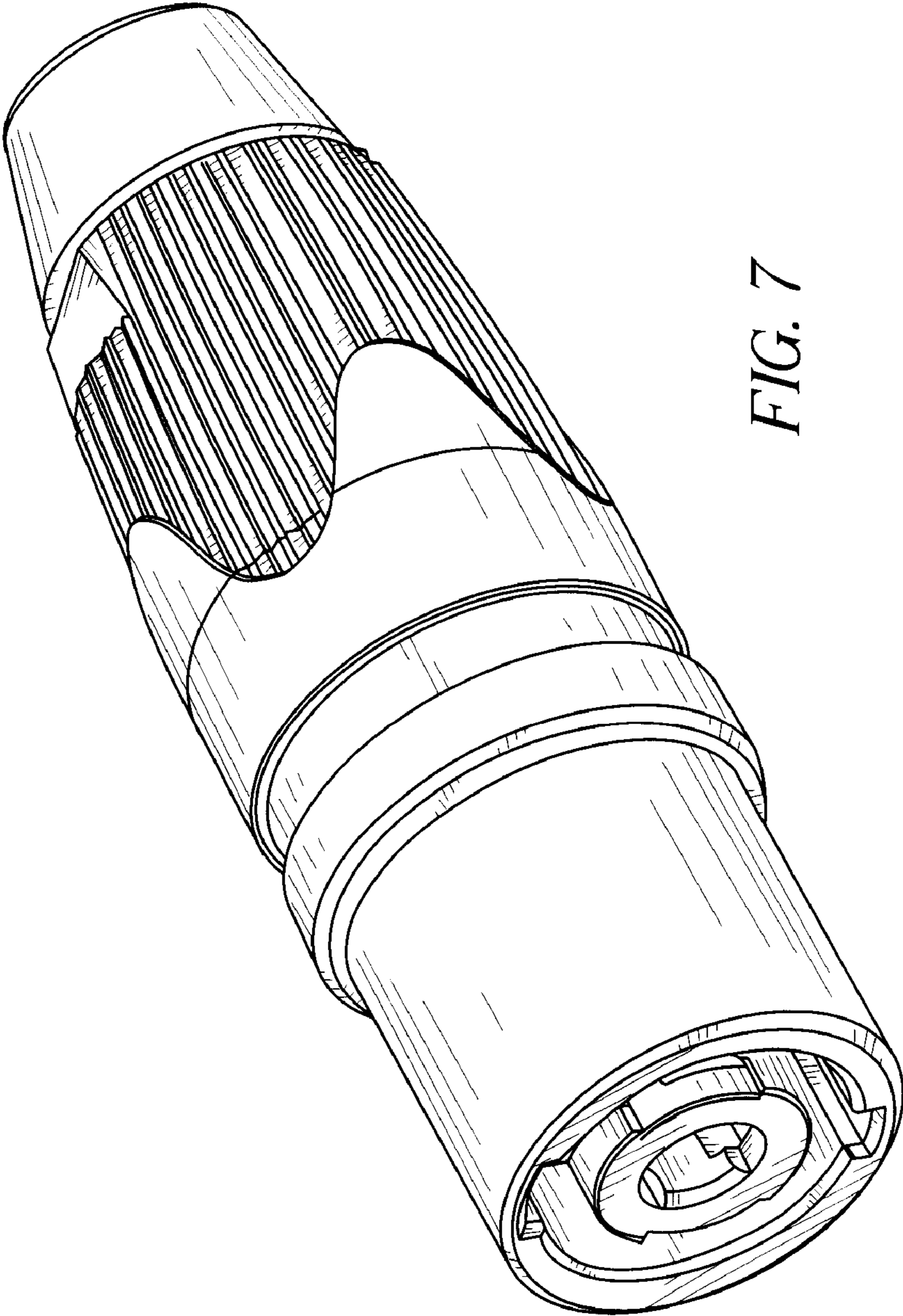


FIG. 7

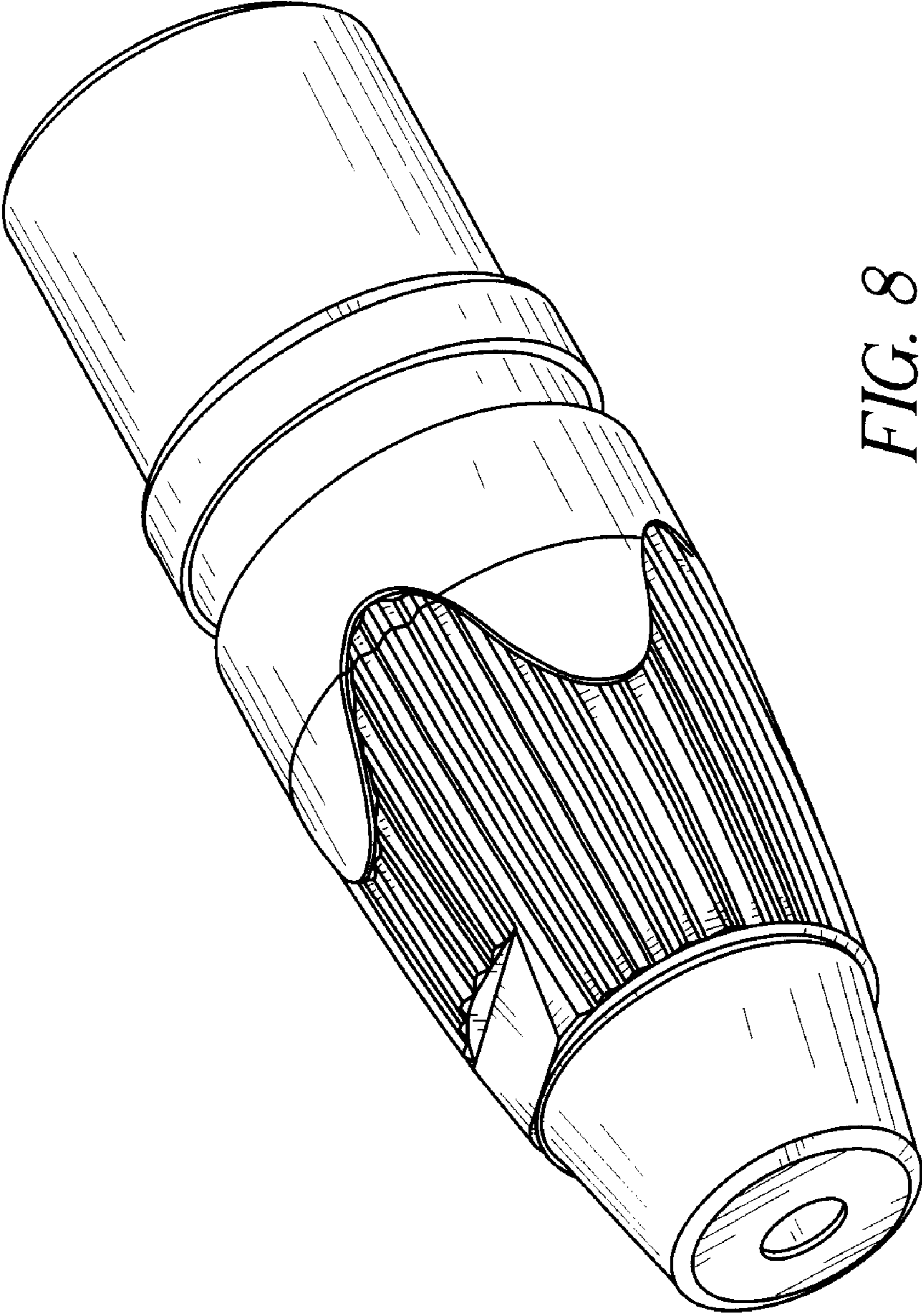


FIG. 8